



US00D966632S

(12) **United States Design Patent**
Han

(10) **Patent No.:** **US D966,632 S**

(45) **Date of Patent:** **** Oct. 11, 2022**

(54) **RETRACTABLE PET LEASH**

(71) Applicant: **Dong Han**, Shenzhen (CN)

(72) Inventor: **Dong Han**, Shenzhen (CN)

(**) Term: **15 Years**

(21) Appl. No.: **29/759,660**

(22) Filed: **Nov. 24, 2020**

(30) **Foreign Application Priority Data**

Sep. 9, 2020 (CN) 202030531799.3

(51) **LOC (13) Cl.** **30-04**

(52) **U.S. Cl.**
USPC **D30/153**

(58) **Field of Classification Search**
USPC D30/144, 151, 152, 153, 154, 155, 199;
D8/107, 300, 313; D21/682, 683, 684,
D21/732, 777, 840; D3/215, 274, 290,
D3/299

CPC .. A01K 27/004; A01K 27/003; A01K 27/008;
B25G 1/102; B65F 1/062

See application file for complete search history.

(56) **References Cited**

U.S. PATENT DOCUMENTS

6,925,967	B1 *	8/2005	Woodruff	A01K 27/004 119/796
D553,307	S *	10/2007	Ko	D30/152
D642,748	S *	8/2011	Merlin	D30/153
D770,693	S *	11/2016	Zhu	D30/153
D824,604	S *	7/2018	Walter	D30/153
D881,479	S *	4/2020	Ma	D30/153
D947,467	S *	3/2022	Dai	D30/153
2006/0207522	A1 *	9/2006	Perkitny	A01K 27/006 119/796
2011/0168829	A1 *	7/2011	Okumura	A01K 27/004 242/384.7

2015/0208614	A1 *	7/2015	Vaccari	A01K 27/004 119/796
2015/0237832	A1 *	8/2015	O'Brien	B65H 75/406 119/796
2017/0079245	A1 *	3/2017	Omelchenko	A01K 27/004
2020/0000065	A1 *	1/2020	Bogdahn	A01K 27/004

OTHER PUBLICATIONS

“Ranmo: EagleMouth Retractable Leash”. Found online Jun. 17, 2022 at amazon.com. Reference dated Dec. 8, 2021. Retrieved from <https://www.amazon.com/dp/B09N8RCZSR/>.*

“PETerials: Retractable Dog Leash”. Found online Dec. 13, 2021 at amazon.com. Reference dated Aug. 16, 2017. Retrieved from https://www.amazon.com/gp/product/B074W6DKBB/ref=as_li_tl?.*

“Pecute: Retractable Dog Leash”. Found online Jun. 17, 2022 at facebook.com. Reference dated Mar. 5, 2019. Retrieved from <https://www.facebook.com/pecute.net/videos/why-you-need-this-updated-pecute-retractable-dog-leash1-offers-extreme-high-stre/2191839710838921/>.*

* cited by examiner

Primary Examiner — Kendra Leslie Hamilton
(74) *Attorney, Agent, or Firm* — Muncy, Geissler, Olds & Lowe, P.C.

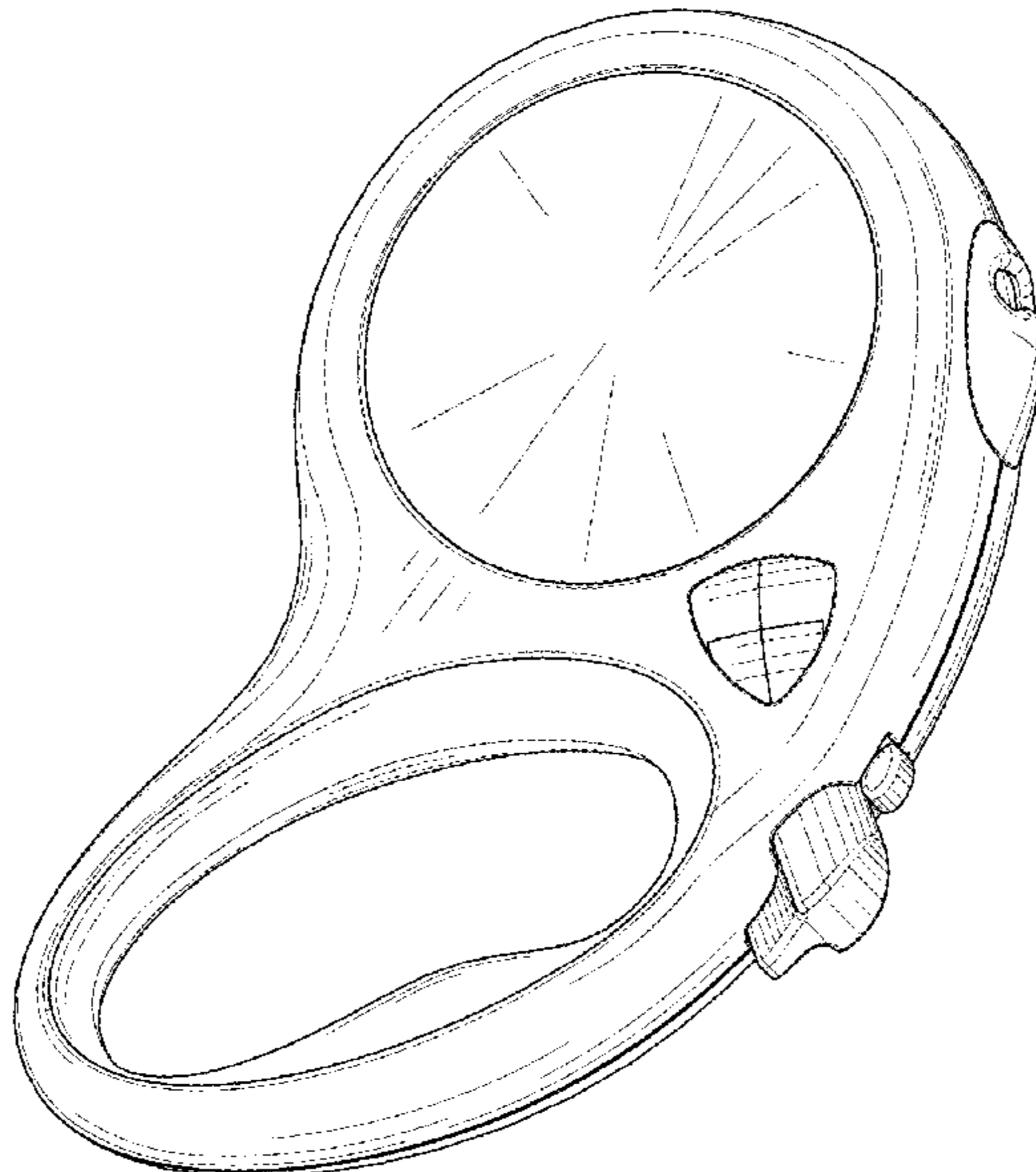
(57) **CLAIM**

The ornamental design for a retractable pet leash, as shown and described.

DESCRIPTION

FIG. 1 is a perspective view of a retractable pet leash showing my new design;
FIG. 2 is a front elevational view thereof;
FIG. 3 is a rear elevational view thereof;
FIG. 4 is a left side view thereof;
FIG. 5 is a right side view thereof;
FIG. 6 is a top plan view thereof; and,
FIG. 7 is a bottom plan view thereof.

1 Claim, 5 Drawing Sheets



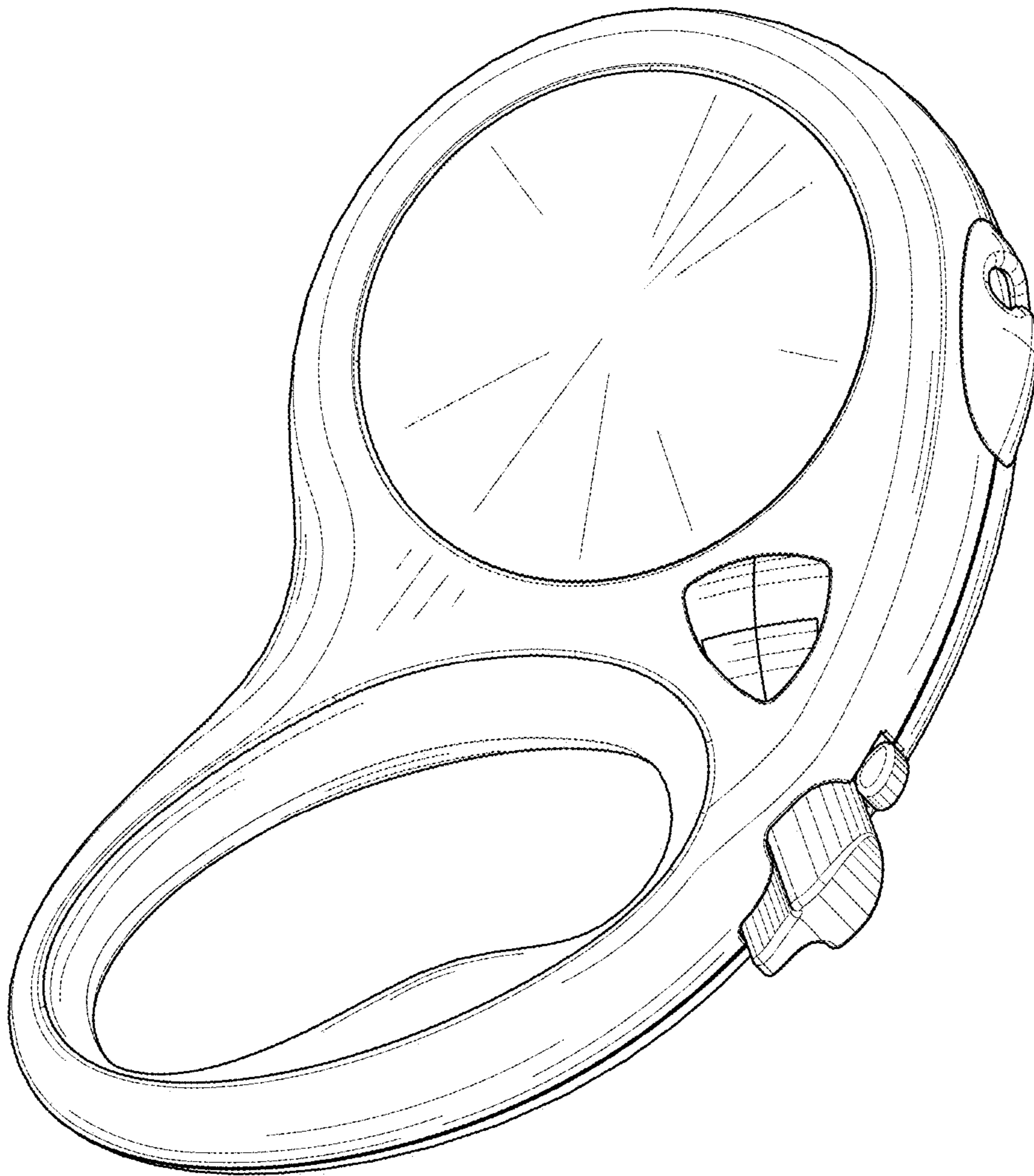


FIG. 1

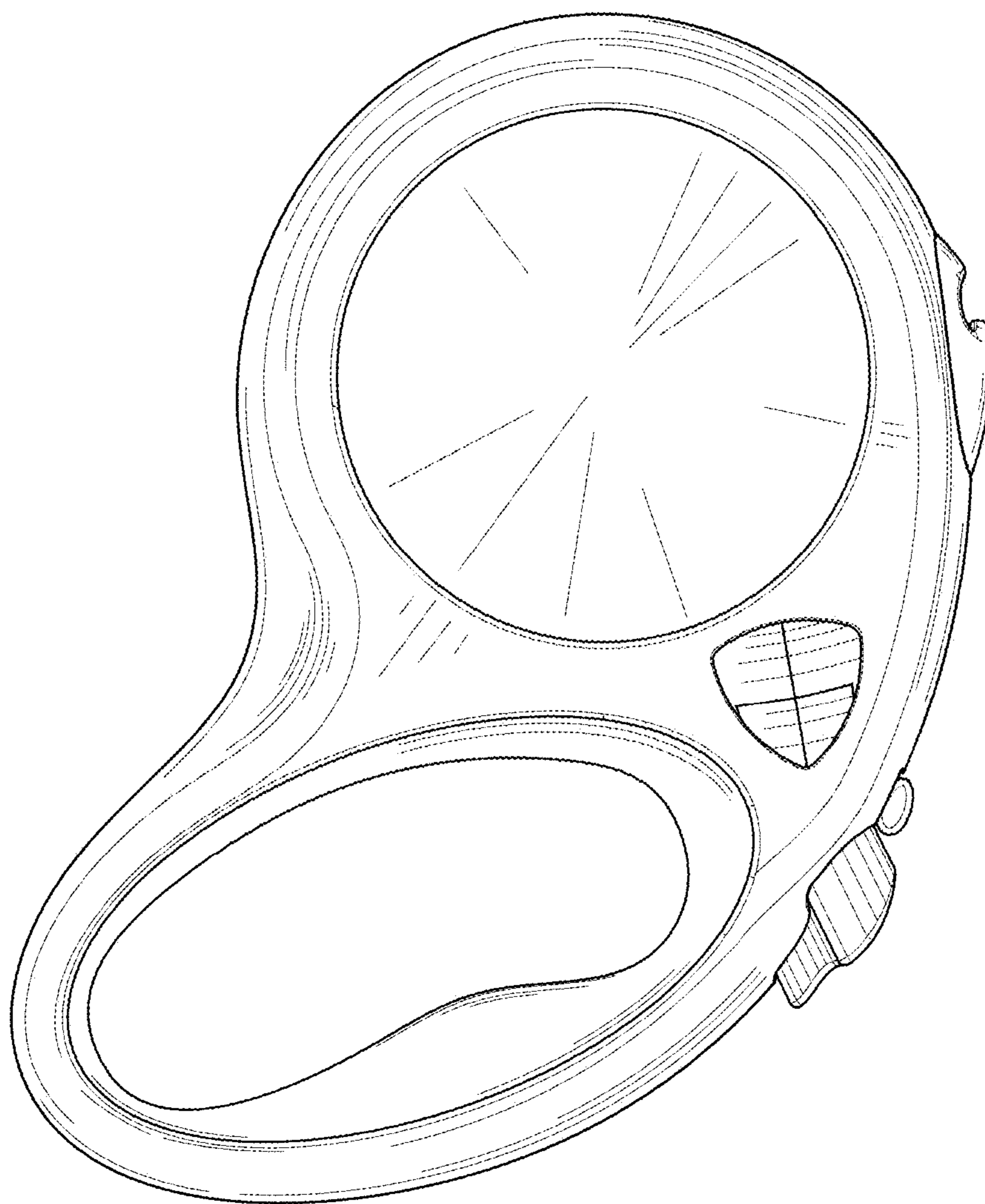


FIG. 2

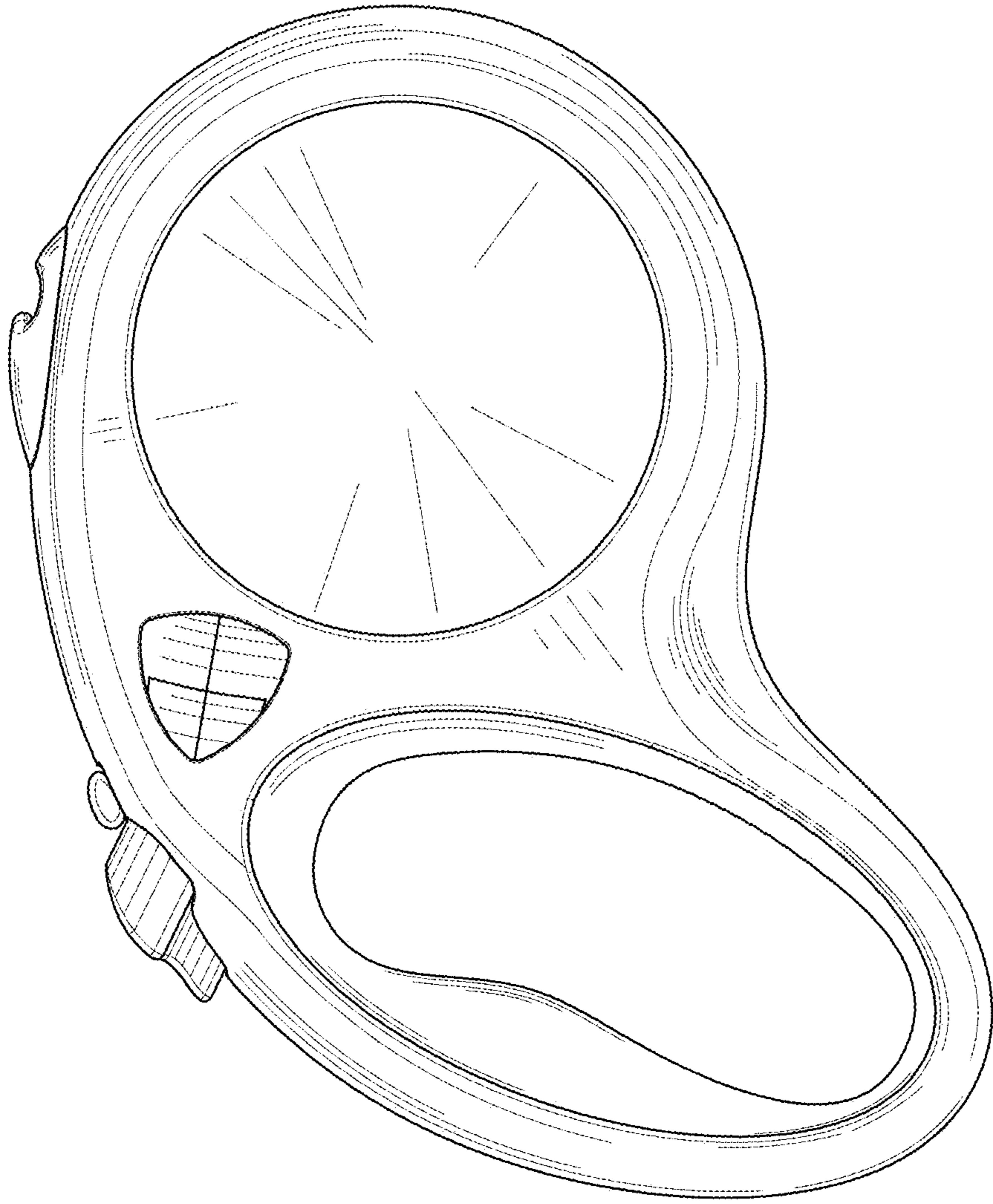


FIG. 3

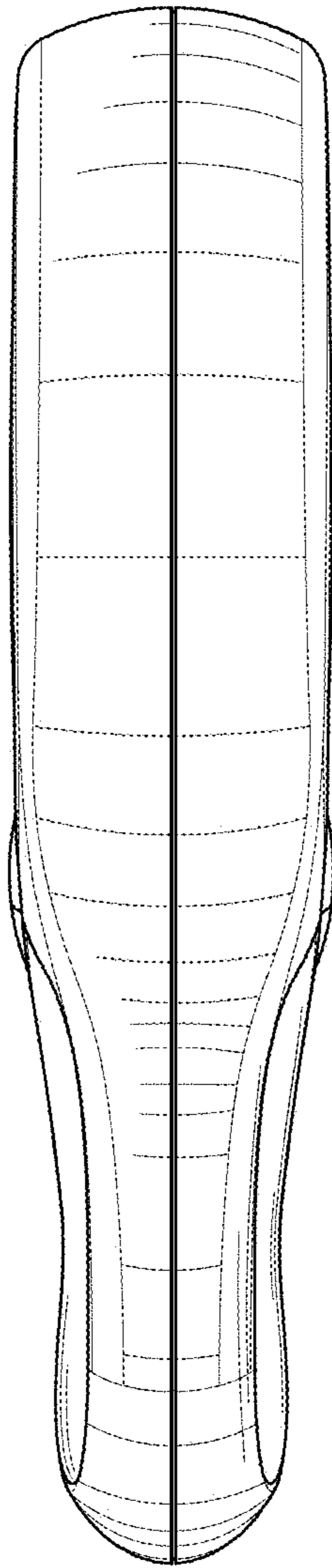


FIG. 4

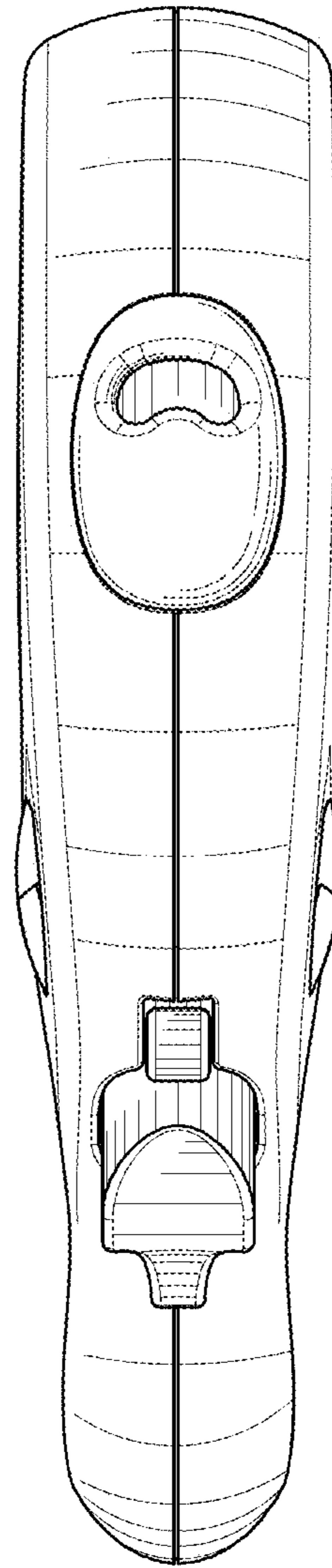


FIG. 5

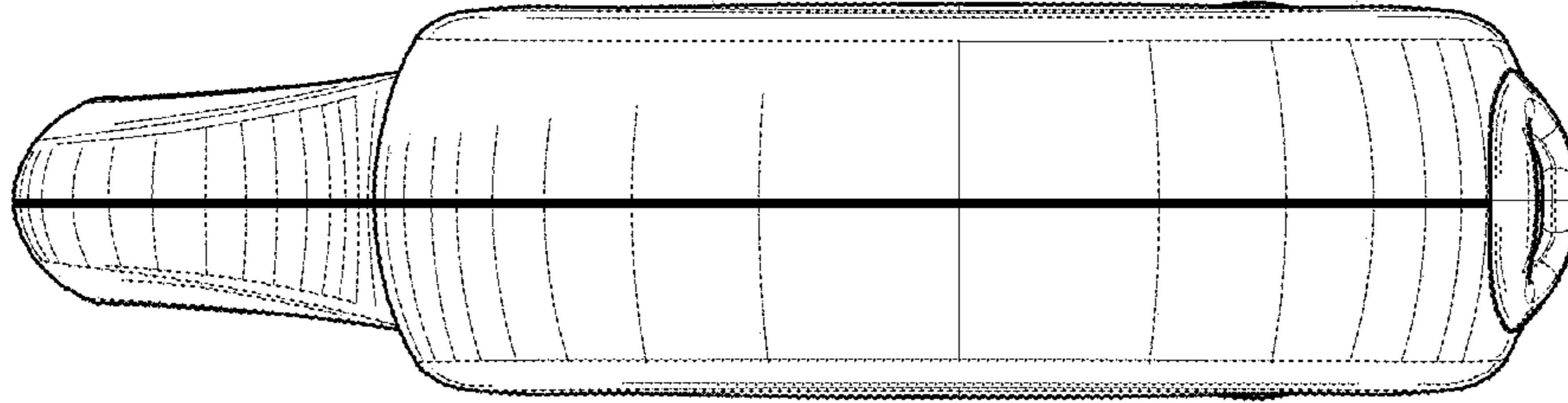


FIG. 6

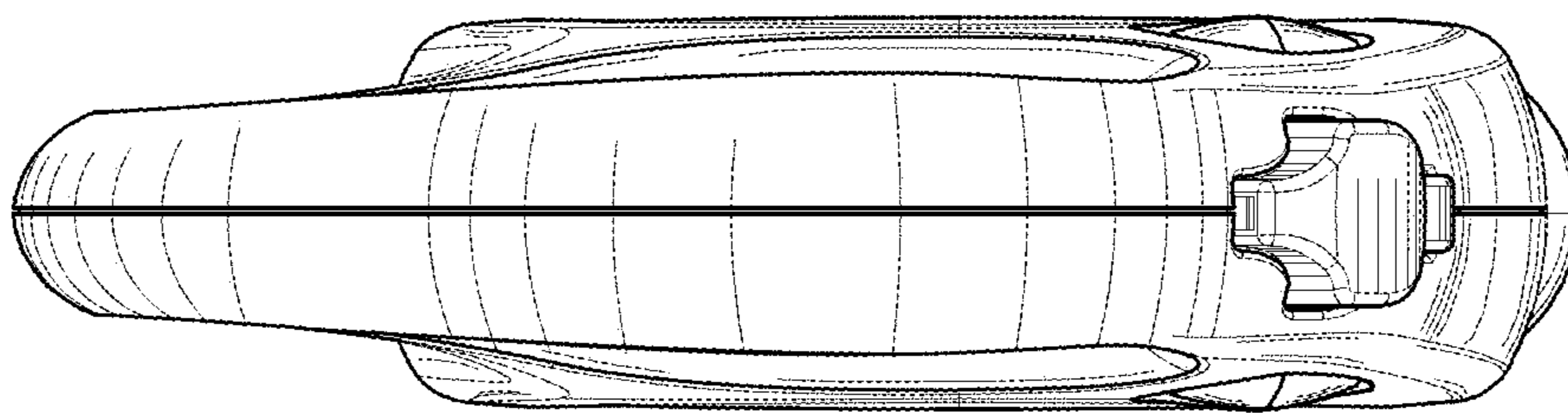


FIG. 7