

US00D966630S

(12) **United States Design Patent** (10) **Patent No.:** **US D966,630 S**
Guo (45) **Date of Patent:** **** Oct. 11, 2022**

(54) **DOG HARNESS**
(71) Applicant: **ZeShan Guo**, Jiangsu Province (CN)
(72) Inventor: **ZeShan Guo**, Jiangsu Province (CN)
(73) Assignee: **GLOBEGOU WZ CO., LTD.**,
Zhejiang (CN)
(**) Term: **15 Years**
(21) Appl. No.: **29/818,097**
(22) Filed: **Dec. 7, 2021**
(30) **Foreign Application Priority Data**

D889,755 S 7/2020 Dusev et al.
D893,811 S 8/2020 Wu
D893,812 S * 8/2020 Wu D30/152
D894,502 S 8/2020 Li
D907,311 S * 1/2021 Guo D30/152
D912,912 S * 3/2021 Chen D30/152
D914,301 S * 3/2021 Xu D30/152
D914,302 S * 3/2021 Chen D30/152
D918,492 S * 5/2021 Guo D30/152
D918,493 S * 5/2021 Chang D30/152
D919,197 S * 5/2021 Guo D30/152
D920,596 S * 5/2021 Guo D30/152
D931,553 S * 9/2021 Yu D30/152
D936,299 S * 11/2021 Wu D30/152
D936,300 S * 11/2021 Wu D30/152
D952,269 S * 5/2022 Chang D30/152
D957,752 S * 7/2022 Ohanian D30/152

(Continued)

Nov. 11, 2021 (CN) 202130741768.5

(51) **LOC (13) Cl.** **30-04**
(52) **U.S. Cl.**
USPC **D30/152**
(58) **Field of Classification Search**
USPC D30/136, 137, 144, 145, 151, 152, 153,
D30/154, 155, 199; D29/101.1, 101.2,
D29/101.3, 101.4, 101.5
CPC A01K 27/002; A01K 1/0263; A61D 9/00;
Y10S 119/907
See application file for complete search history.

(56) **References Cited**

U.S. PATENT DOCUMENTS

7,325,516 B2 * 2/2008 Moore A01K 27/002
119/725
D734,564 S * 7/2015 Broder D29/122
D734,567 S * 7/2015 Broder D29/122
D753,350 S * 4/2016 Thitz D30/151
D764,719 S * 8/2016 Broder D29/122
D862,002 S * 10/2019 Wu D30/152
D862,803 S 10/2019 Yun
D885,689 S 5/2020 Xu
D888,348 S * 6/2020 Yun D30/152

OTHER PUBLICATIONS

ICEFANG Silent Lightweighting Tactical Dog Harness, dated to Jan. 3, 2020, amazon.com [online]. Retrieved Jul. 15, 2022 from internet <URL:https://www.amazon.com/dp/B083GG4D8C/ref=sbl_dpx_pets-dog-harness_B078N3JYW1_0> (Year: 2020).*

Primary Examiner — Andrew T Nemeth

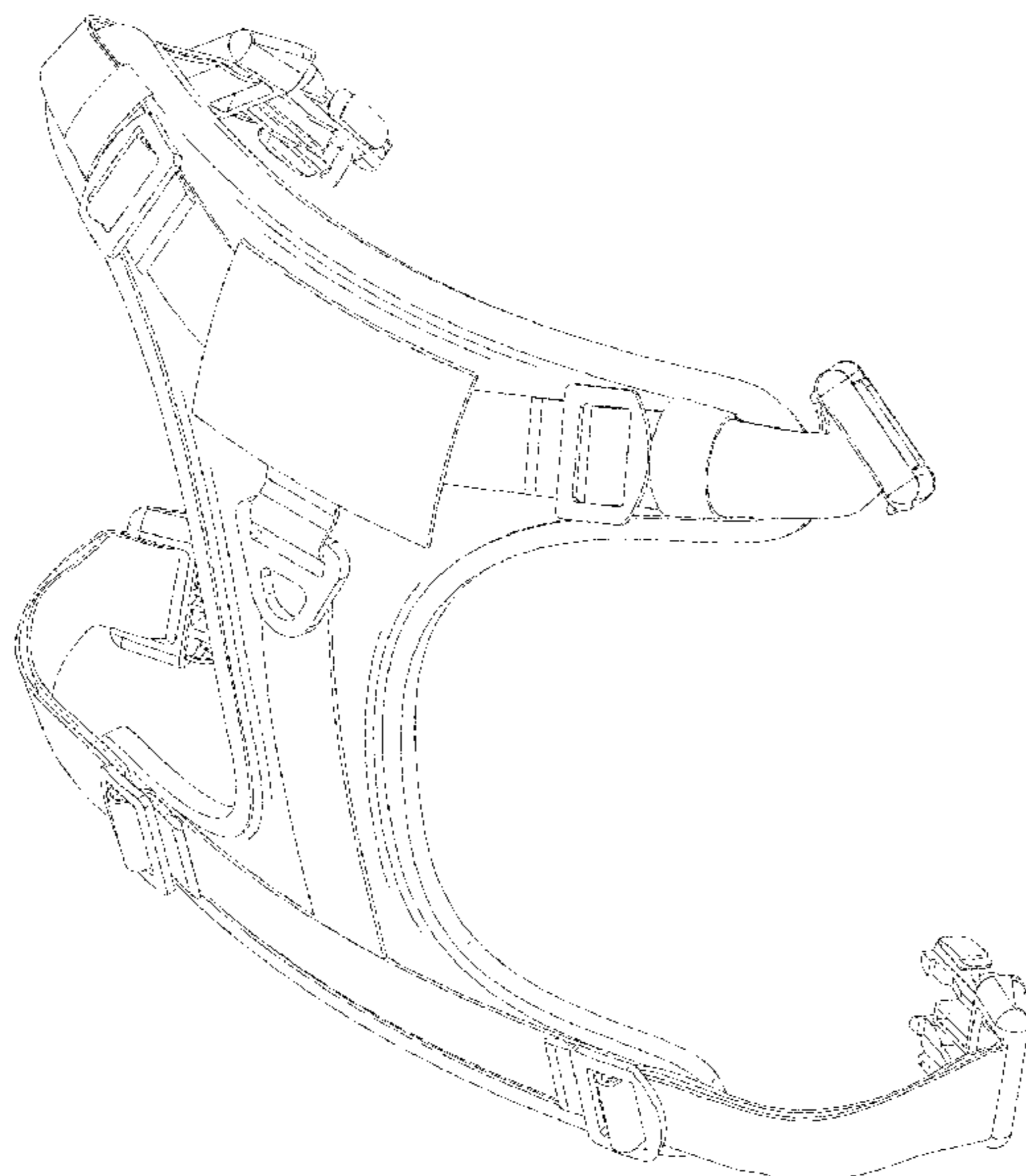
(57) **CLAIM**

The ornamental design for a dog harness, as shown and described.

DESCRIPTION

FIG. 1 is a perspective view of a dog harness showing my new design;
FIG. 2 is a front elevation view thereof;
FIG. 3 is a top plan view thereof;
FIG. 4 is a left side elevation view thereof;
FIG. 5 is a rear elevation view thereof;
FIG. 6 is a right side elevation view thereof; and,
FIG. 7 is a bottom plan view thereof.

1 Claim, 7 Drawing Sheets



(56)

References Cited

U.S. PATENT DOCUMENTS

D957,754 S * 7/2022 Chang D30/152
2012/0160184 A1* 6/2012 Lichvar A01K 27/002
119/725
2014/0261238 A1* 9/2014 Holt, Jr. A01K 27/002
112/475.08
2018/0303068 A1* 10/2018 Chen A01K 27/006
2019/0124890 A1* 5/2019 Kath A01K 1/0263
2021/0059216 A1* 3/2021 Guidetti A01K 27/002
2022/0142124 A1* 5/2022 Stevens A01K 27/002
2022/0151205 A1* 5/2022 Sebö A01K 27/002

* cited by examiner

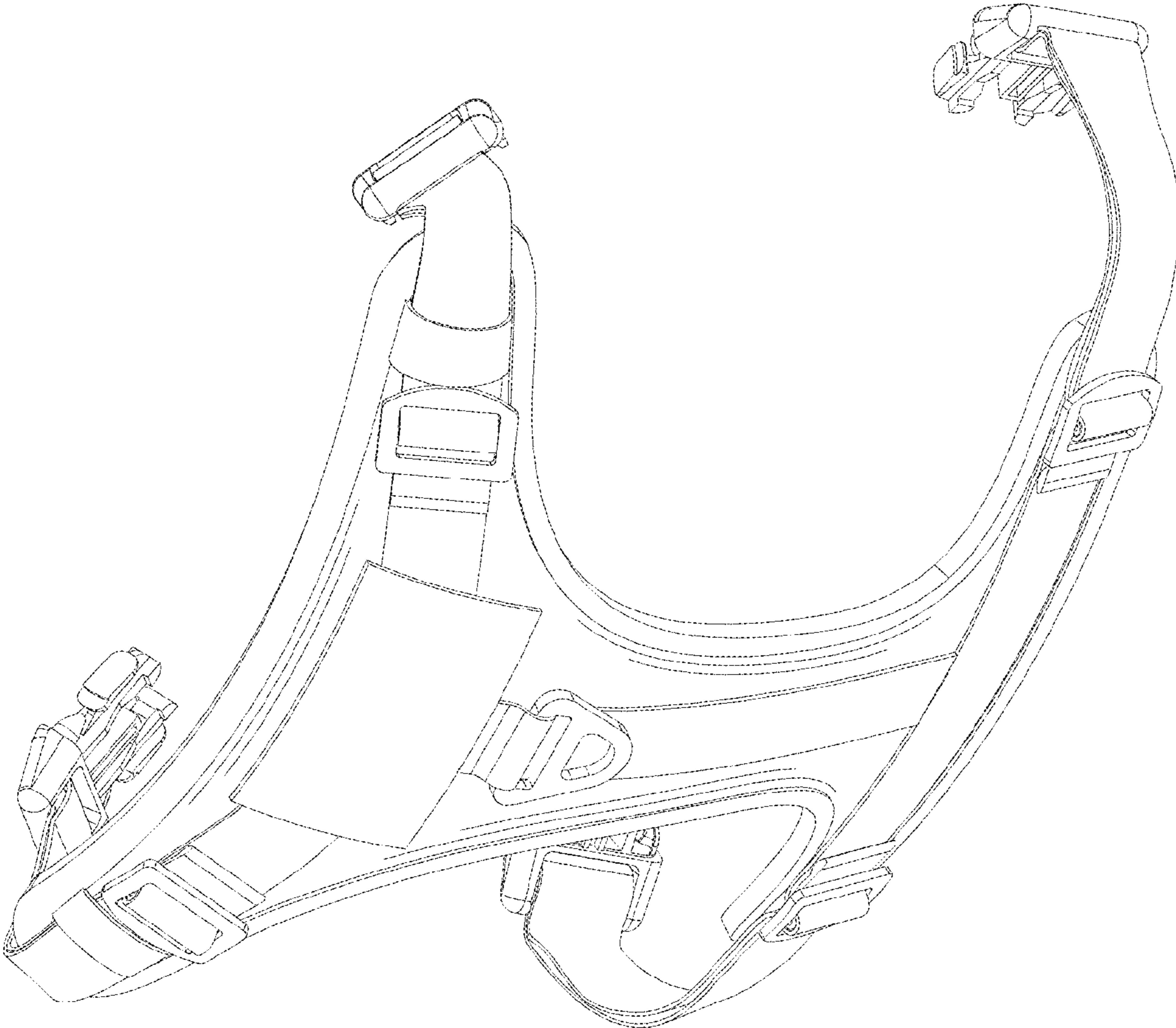


FIG. 1

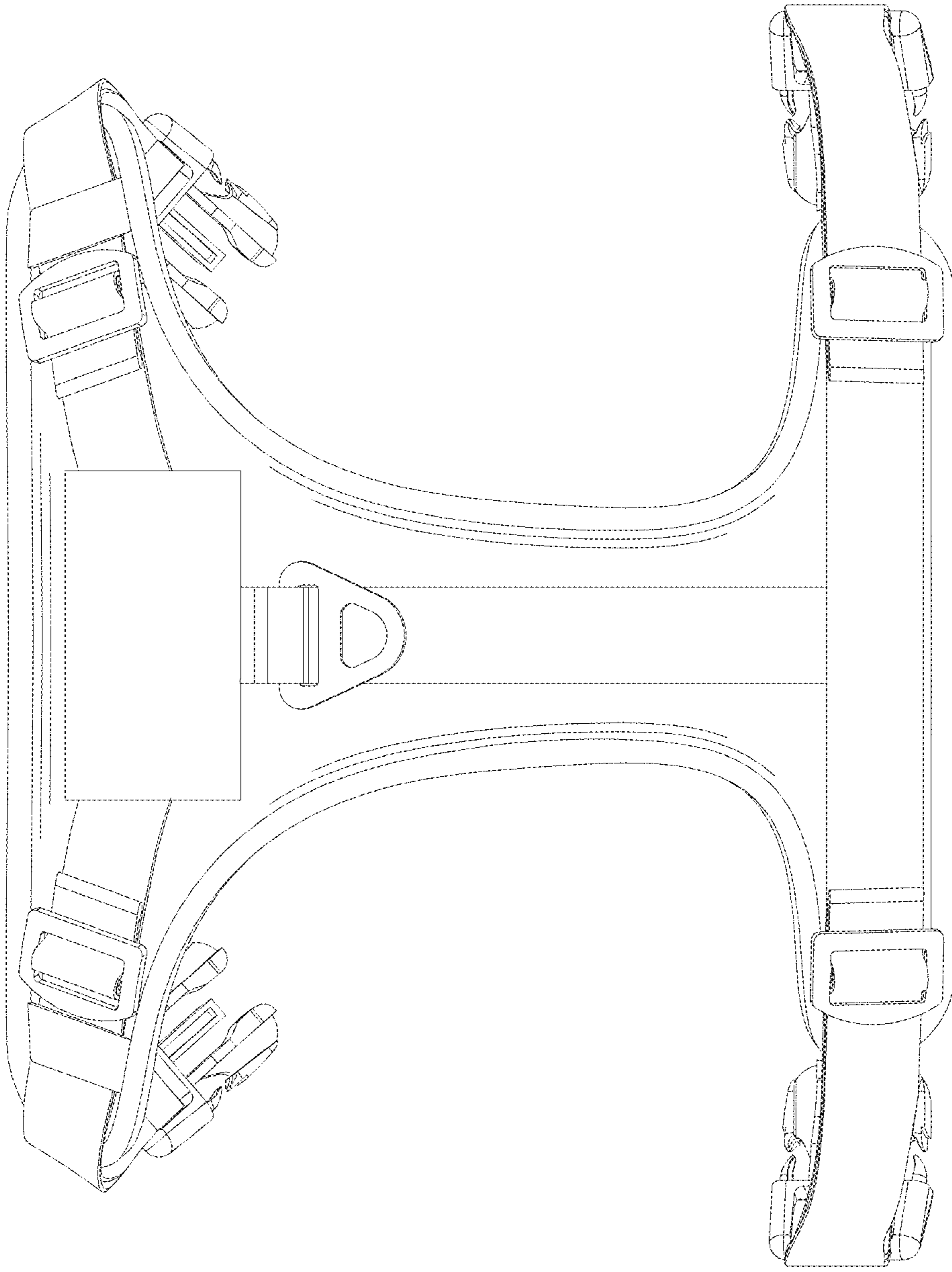


FIG. 2

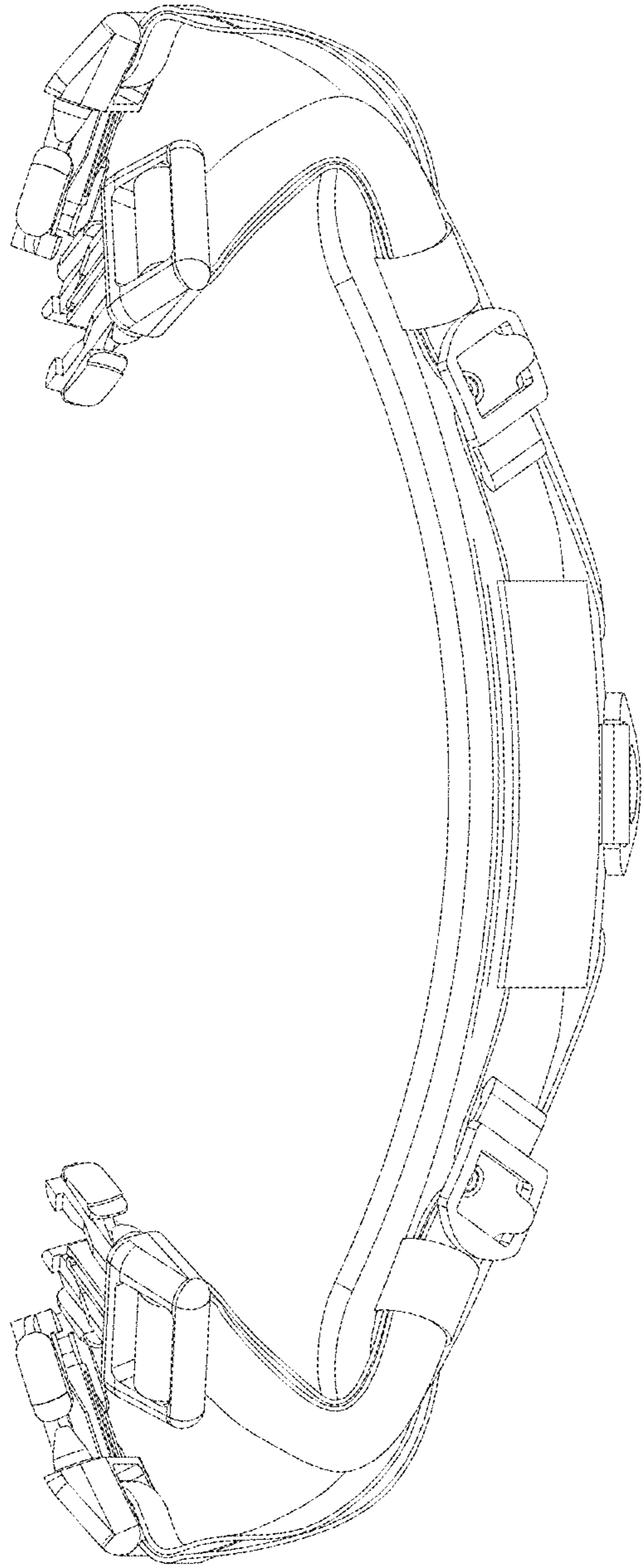


FIG. 3

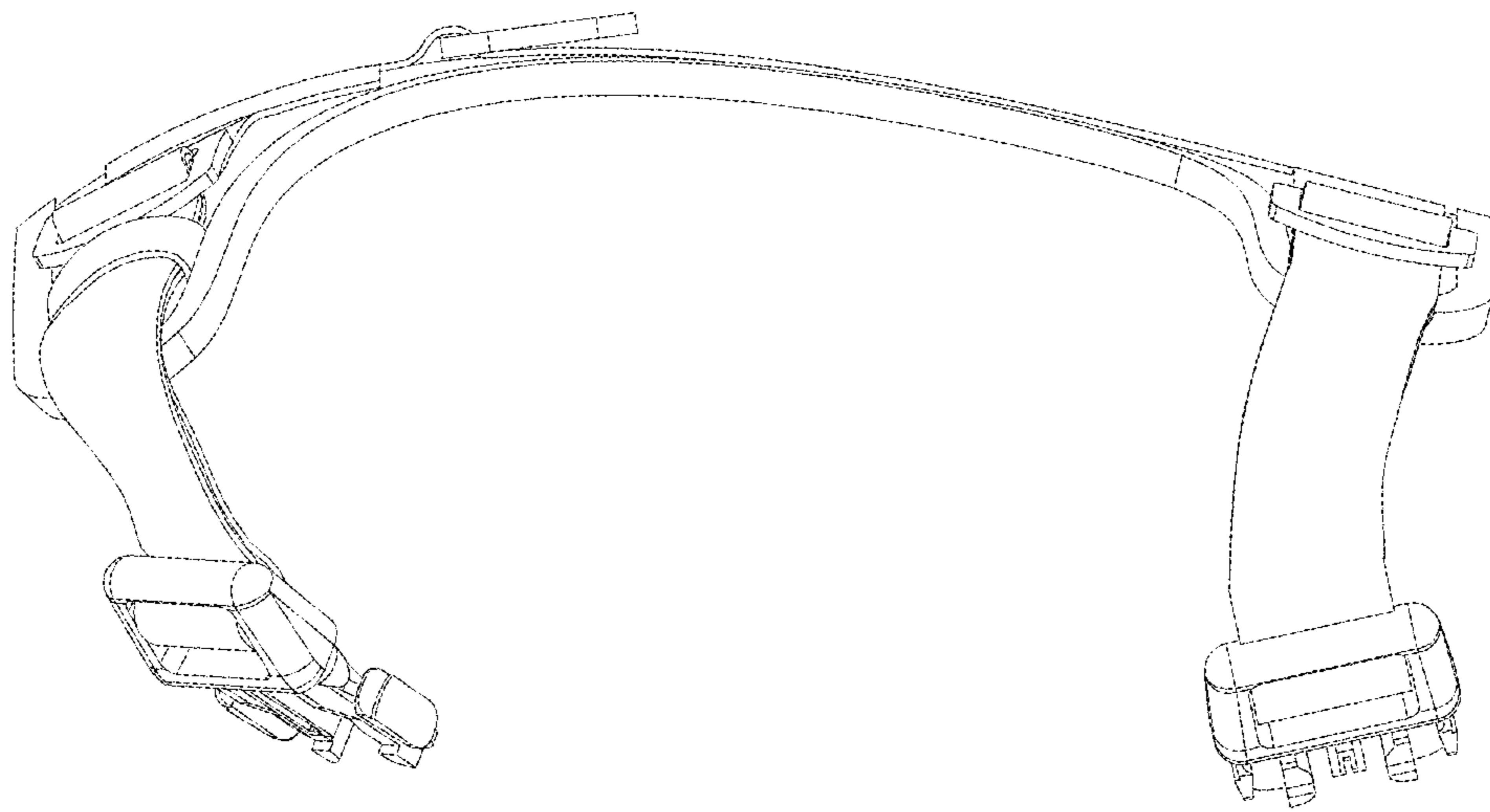


FIG. 4

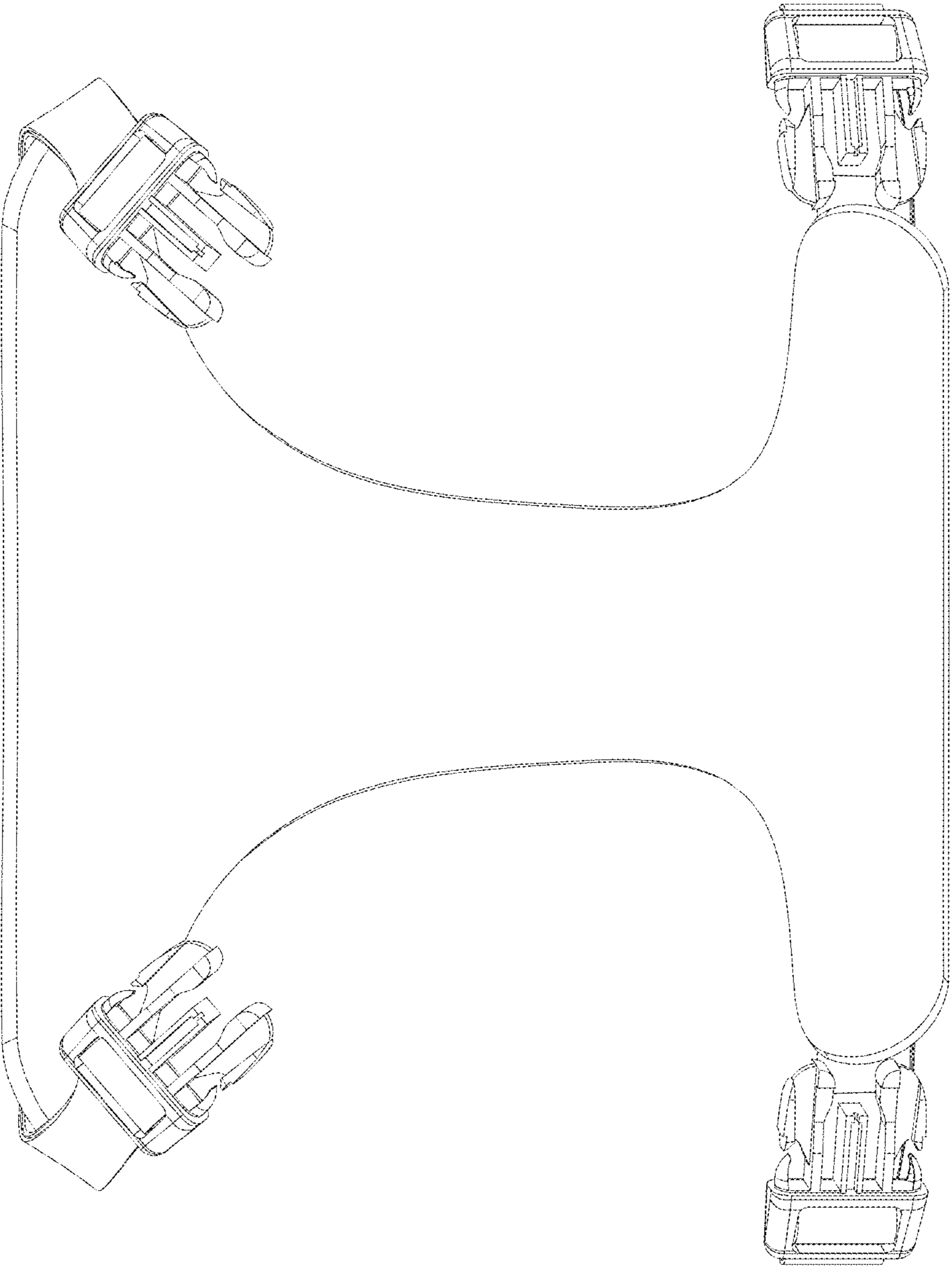


FIG. 5

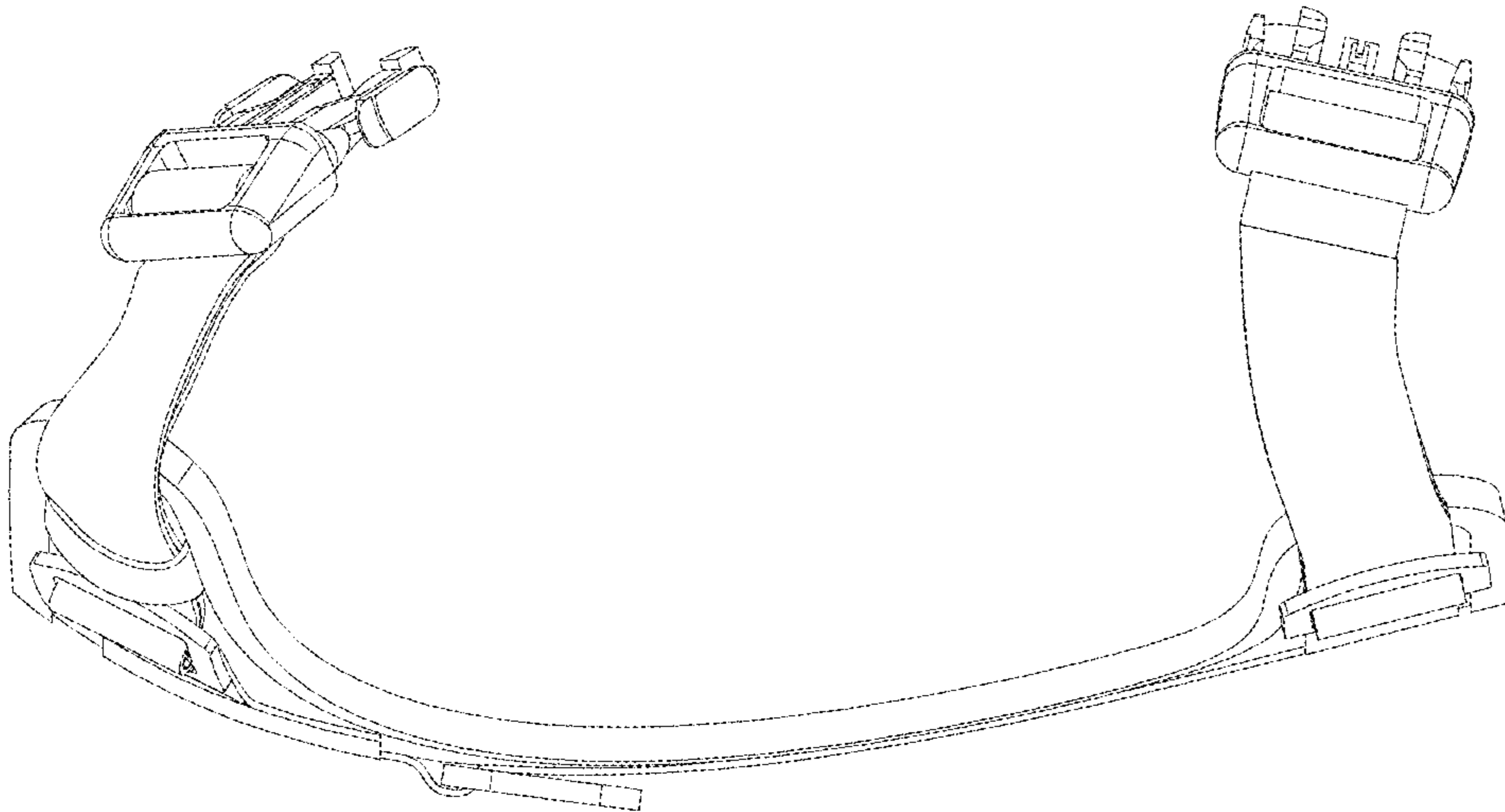


FIG. 6

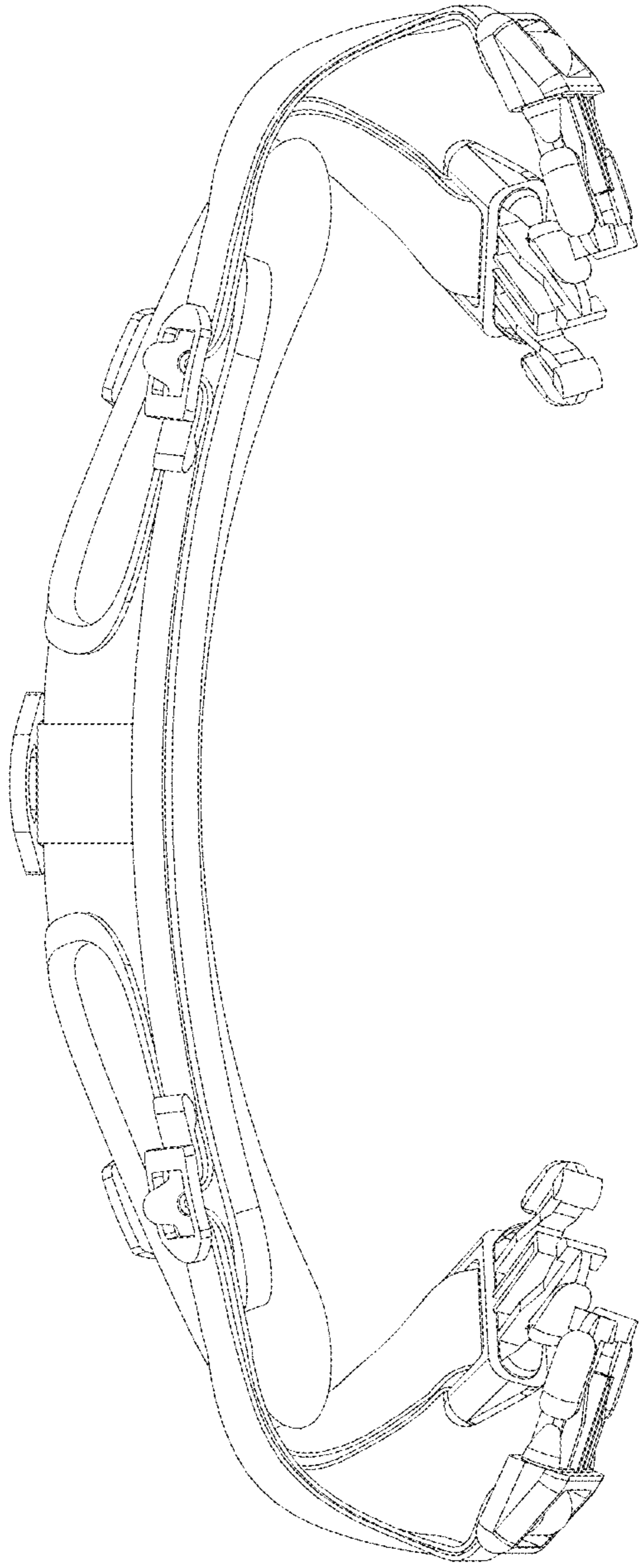


FIG. 7