

US00D966626S

(12) **United States Design Patent**
LaMagna

(10) **Patent No.:** **US D966,626 S**
(45) **Date of Patent:** **** Oct. 11, 2022**

- (54) **PET ENCLOSURE APPARATUS**
- (71) Applicant: **Victor LaMagna**, La Jolla, CA (US)
- (72) Inventor: **Victor LaMagna**, La Jolla, CA (US)
- (**) Term: **15 Years**
- (21) Appl. No.: **29/800,062**
- (22) Filed: **Jul. 19, 2021**

- 2,771,088 A * 11/1956 Soldan E04H 15/003
135/87
- 2,872,161 A * 2/1959 Olson E01F 7/02
256/24
- 3,273,862 A * 9/1966 Miller A47D 13/06
256/73
- 3,651,851 A * 3/1972 Curtis E04H 17/161
160/135

(Continued)

Related U.S. Application Data

- (62) Division of application No. 29/749,623, filed on Sep. 8, 2020, now Pat. No. Des. 928,418, which is a division of application No. 29/632,709, filed on Jan. 9, 2018, now Pat. No. Des. 899,008.
- (51) **LOC (13) Cl.** **30-02**
- (52) **U.S. Cl.**
USPC **D30/115**
- (58) **Field of Classification Search**
USPC D30/108-120; D6/339, 361, 382,
D6/385-387, 595-597, 618.1, 675, 691,
D6/698; D25/38.1, 39, 45, 48.5, 48.8
CPC . A01K 1/03; A01K 1/05; A01K 1/035; A01K
29/00; E04H 17/00; E04H 17/02; E04H
17/04; E04H 17/06; E04H 17/063; E04H
17/14; E04H 17/1413; E04H 17/1417;
E04H 17/1421; E04H 17/1426; E04H
17/143; E04H 17/1434; E04H 17/16;
E04H 17/161; E04H 17/163
See application file for complete search history.

References Cited

- (56) **U.S. PATENT DOCUMENTS**
- 1,168,836 A * 1/1916 Vette A01K 3/00
119/514
- 1,251,926 A * 1/1918 Schlesinger E04H 17/16
256/24
- 1,569,624 A * 1/1926 Erickson A01M 25/004
43/107

OTHER PUBLICATIONS

YML Group Inc Animal Play Pen, posted at sears.com, added on Aug. 24, 2020, [online], acquired on Dec. 17, 2021, Available on internet. url:https://www.sears.com/yml-animal-play-pen-with-door-24inch-x/p-SPM7406474322 (Year: 2020).*

Primary Examiner — Sheryl Lane

Assistant Examiner — Aula Soroush

(74) *Attorney, Agent, or Firm* — Garson & Gutierrez, PC

(57) **CLAIM**

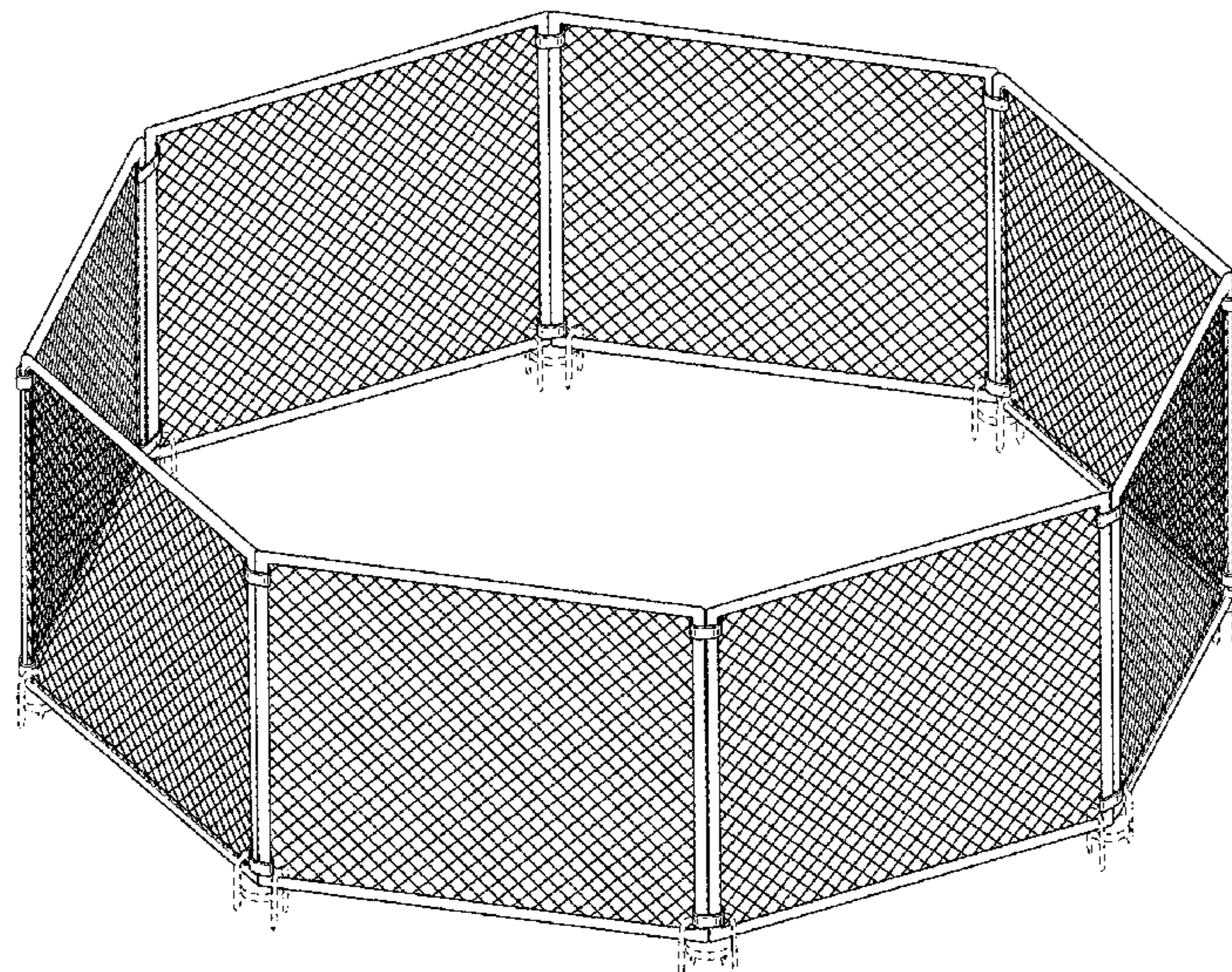
The ornamental design of a pet enclosure apparatus, as shown and described herein.

DESCRIPTION

FIG. 1 is a perspective view of a pet enclosure apparatus for use as an enclosure, showing our new design; FIG. 2 is a front side elevation view of the pet enclosure apparatus of FIG. 1, the back side view being identical; FIG. 3 is a left side elevation view of the pet enclosure apparatus of FIG. 1, the right side view being identical; FIG. 4 is a top plan view of the pet enclosure apparatus of FIG. 1; and, FIG. 5 is a bottom plan view of the pet enclosure apparatus of FIG. 1.

The broken lines shown in the drawings illustrate portions of the pet enclosure apparatus that form no part of the claimed design.

1 Claim, 4 Drawing Sheets



(56)

References Cited

U.S. PATENT DOCUMENTS

4,576,364 A *	3/1986	O'Fearna	E04H 15/003	256/23	8,387,955 B2 *	3/2013	Ptacek	E04H 17/163	256/31
4,645,183 A *	2/1987	Rattray	A47D 13/063	256/25	8,573,565 B1 *	11/2013	Lyndaker	E04H 17/161	256/23
5,063,876 A *	11/1991	Harris	A01K 15/027	119/513	8,944,415 B2 *	2/2015	Sirotin	E04H 17/16	256/26
5,967,089 A *	10/1999	Allen	E04H 17/18	119/474	9,107,387 B1 *	8/2015	Pavlik	A01K 3/00	
6,151,852 A *	11/2000	Linn	E04H 17/163	256/24	9,339,676 B2 *	5/2016	Publicover	A63B 5/11	
6,450,123 B1 *	9/2002	Murray	A01K 3/00	119/512	10,609,895 B2 *	4/2020	Ishisako	A01K 1/035	
7,293,530 B2 *	11/2007	Italiano	A01K 1/03	119/453	D891,642 S *	7/2020	Jackson	D25/48.8	
7,380,379 B2 *	6/2008	Venegas, Jr.	E04H 9/10	256/73	D897,558 S *	9/2020	Le	D25/45	
D634,485 S *	3/2011	Clemmons	D30/116		11,185,065 B2 *	11/2021	DeNicola	A01M 23/08	
						11,191,251 B1 *	12/2021	Aragona	E01F 13/028	
						2012/0204498 A1 *	8/2012	Richey	E02B 3/106	52/102
						2013/0221300 A1 *	8/2013	Weber	E04H 17/163	256/19
						2019/0344148 A1 *	11/2019	Miller	A63B 71/022	
						2020/0056862 A1 *	2/2020	Howe	E04H 17/163	

* cited by examiner

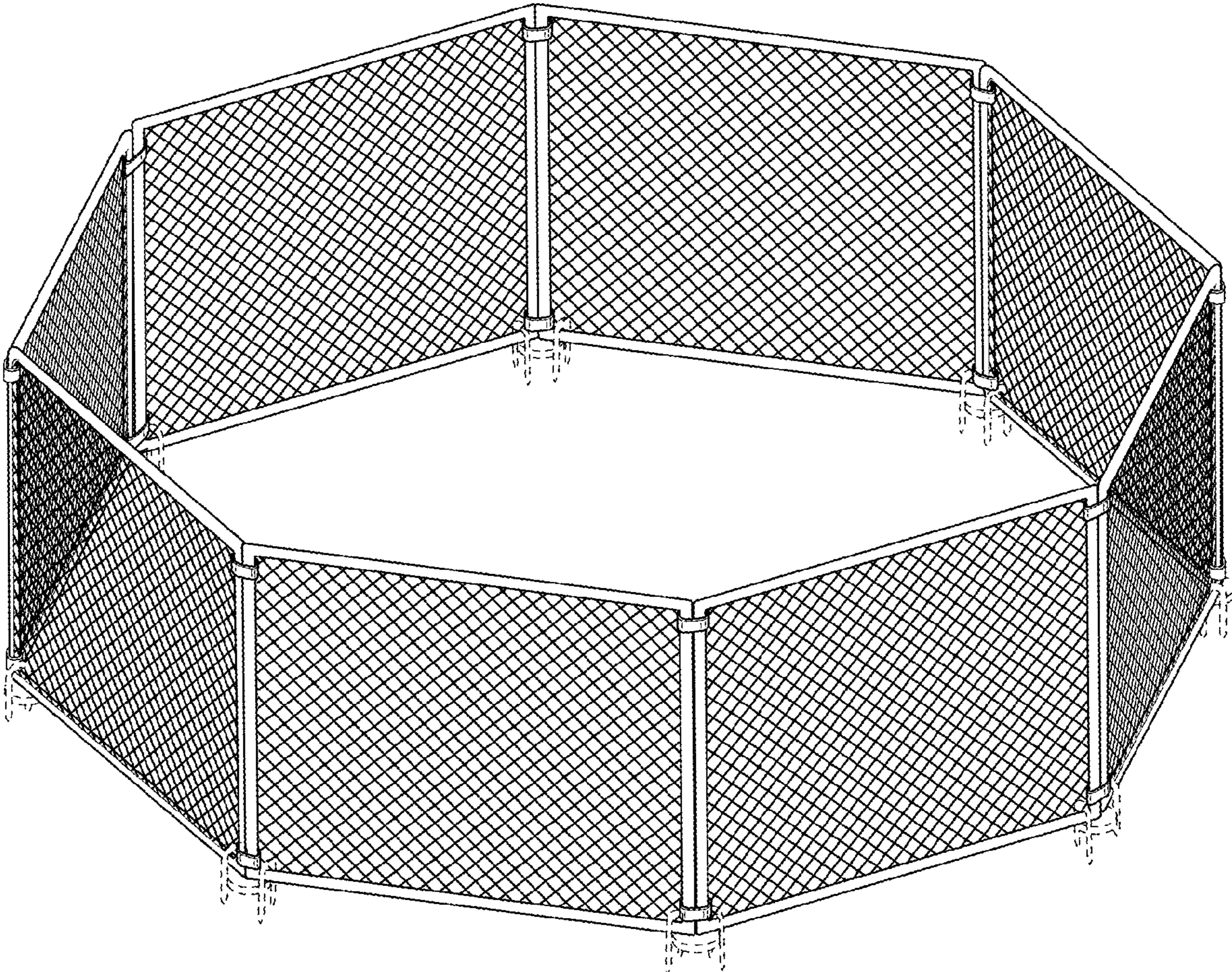


FIG. 1

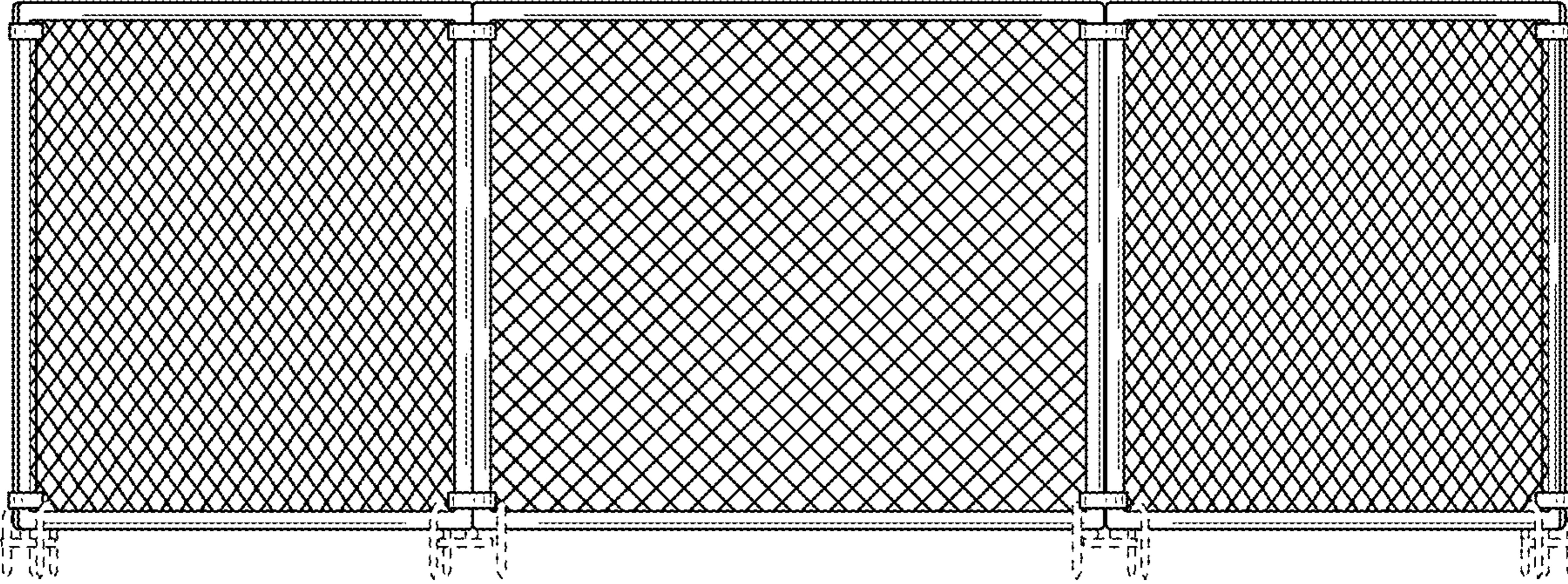


FIG. 2

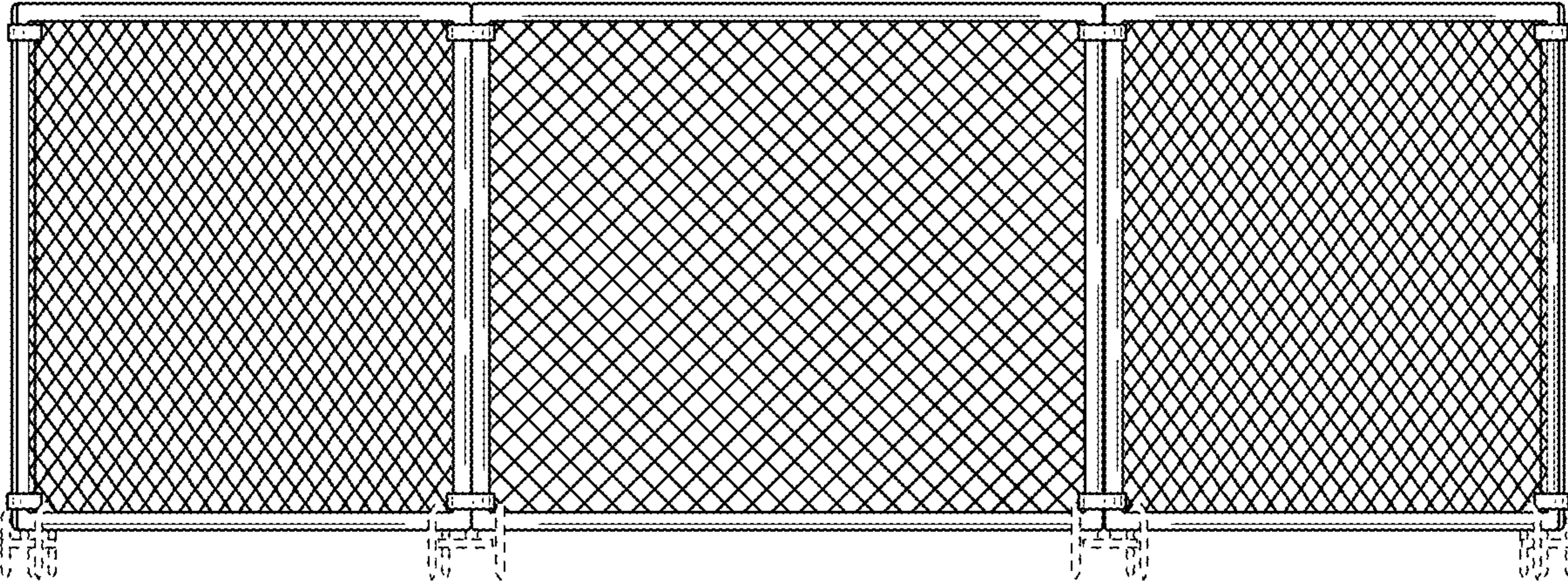


FIG. 3

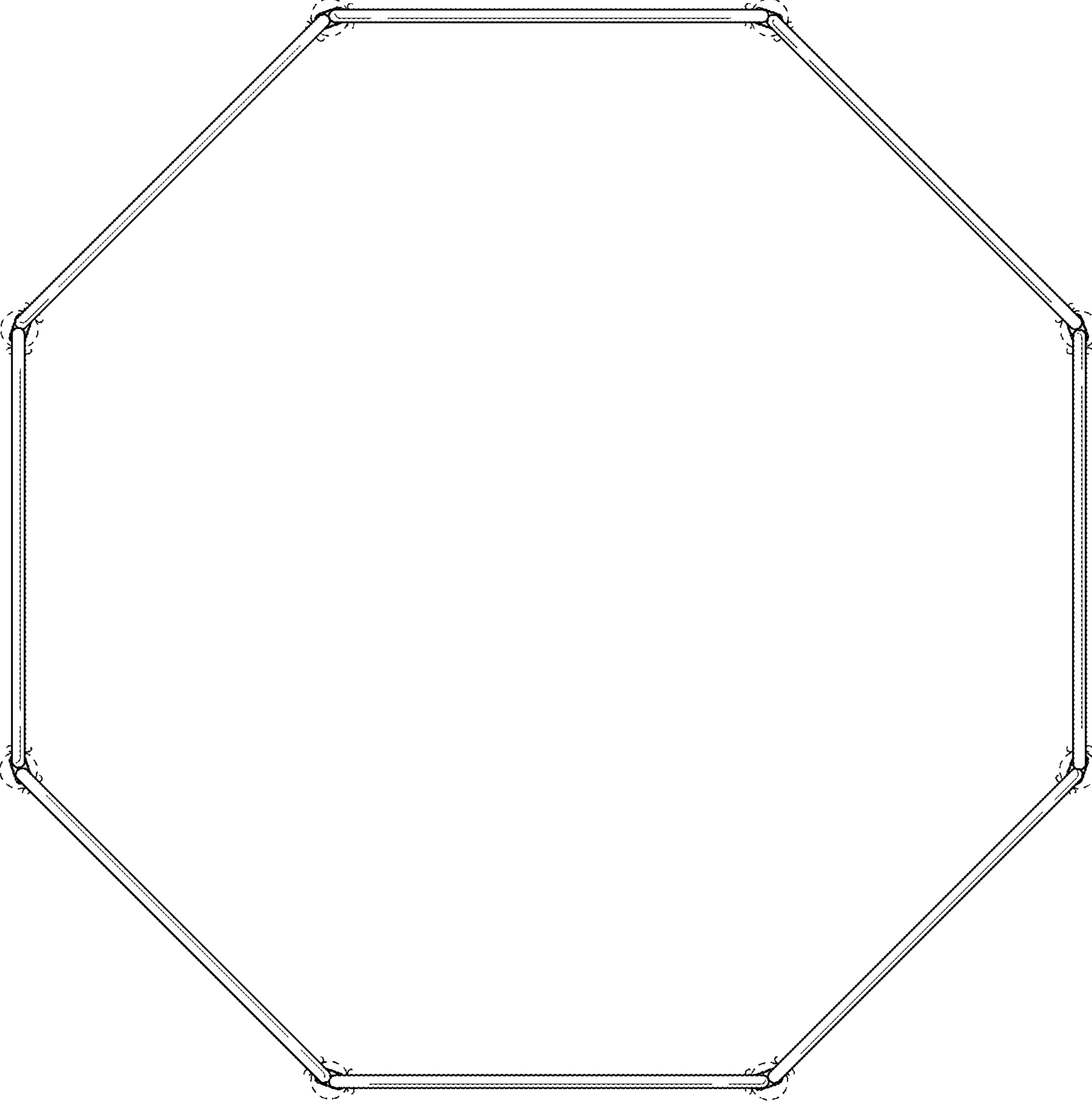


FIG. 4

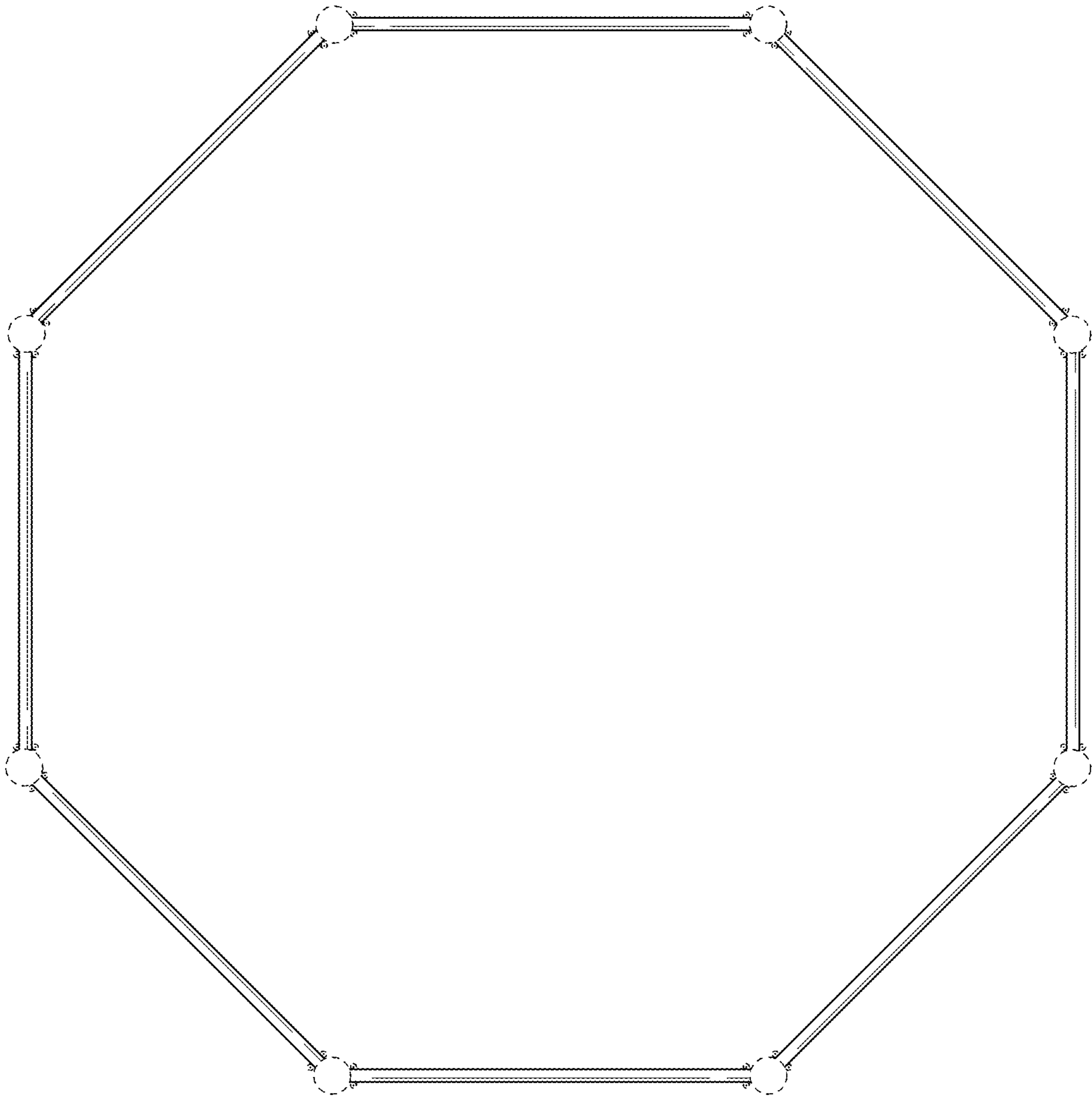


FIG. 5