



US00D966624S

(12) **United States Design Patent**  
**Ginsburg et al.**

(10) **Patent No.:** **US D966,624 S**

(45) **Date of Patent:** **\*\* Oct. 11, 2022**

(54) **ANIMAL SHELTER**

(71) Applicant: **CATSA Ltd.**, Pittsburgh, PA (US)

(72) Inventors: **Samantha Ginsburg**, Pittsburgh, PA (US); **Stephen Streibig**, Pittsburgh, PA (US)

(73) Assignee: **CATSA Ltd.**, Pittsburgh, PA (US)

(\*\*) Term: **15 Years**

(21) Appl. No.: **29/727,334**

(22) Filed: **Mar. 10, 2020**

(51) **LOC (13) Cl.** ..... **30-02**

(52) **U.S. Cl.**  
USPC ..... **D30/108**

(58) **Field of Classification Search**  
USPC ..... D30/158-161, 108-120; D3/304  
CPC .... A01K 1/011; A01K 1/0107; A01K 1/0125;  
A01K 1/0121; A01K 1/00; A01K 1/035;  
A01K 1/0353; A01K 1/03; A01K 1/033;  
A01K 1/034; A47K 11/02; A47K 11/06;  
A47K 13/00; A47K 13/06; A47K 13/14  
See application file for complete search history.

(56) **References Cited**

**U.S. PATENT DOCUMENTS**

D455,238 S *	4/2002	Small	.....	D30/108
D555,293 S *	11/2007	Gourkow	.....	D30/108
D617,506 S *	6/2010	Platt	.....	D30/108
D622,008 S *	8/2010	Duncan	.....	D30/108
D622,912 S *	8/2010	Kanigchulatar	.....	D30/161
D760,445 S *	6/2016	Katers	.....	D30/108
D760,446 S *	6/2016	Katers	.....	D30/109
10,412,926 B2 *	9/2019	Chen	.....	A01K 15/024
D881,476 S *	4/2020	Koop	.....	D30/109
D882,395 S *	4/2020	Stadler	.....	D9/431

D899,007 S *	10/2020	Weisberg	.....	D30/110
D899,701 S *	10/2020	Tuthill	.....	D30/108
D899,715 S *	10/2020	Garrett	.....	D30/161
10,932,441 B2 *	3/2021	Martino	.....	A01K 1/035

**OTHER PUBLICATIONS**

Catsa Shelter Project, posted at catsa.co, earliest date posted unknown, [online], acquired on Nov. 12, 2021. Available from Internet, <https://catsa.co/log/catsa-shelter-project> (Year: 2021).\*

\* cited by examiner

*Primary Examiner* — Sheryl Lane

*Assistant Examiner* — Aula Soroush

(74) *Attorney, Agent, or Firm* — Erik D. Slobe; Leech Tishman Fuscaldo & Lampl

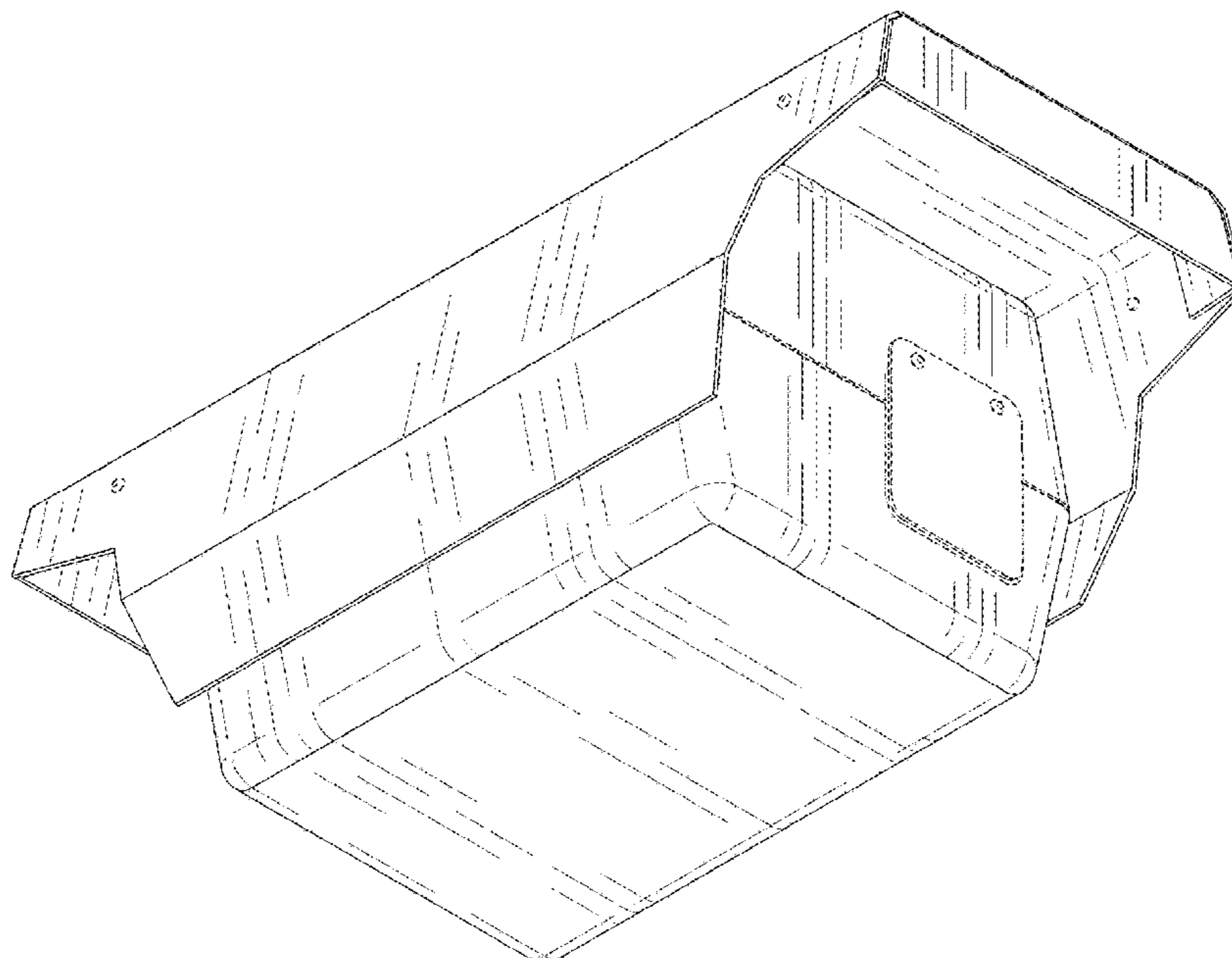
(57) **CLAIM**

The ornamental design for an animal shelter, as shown and described.

**DESCRIPTION**

FIG. 1 is a bottom-rear isometric view of an animal shelter showing the new design;  
FIG. 2 is a top-rear isometric view thereof;  
FIG. 3 is a front view thereof;  
FIG. 4 is a rear view thereof;  
FIG. 5 is a left side view thereof;  
FIG. 6 is a right side view thereof;  
FIG. 7 is a top view thereof; and,  
FIG. 8 is a bottom view thereof.  
The broken lines show portions of the animal shelter that form no part of the claimed design.

**1 Claim, 7 Drawing Sheets**



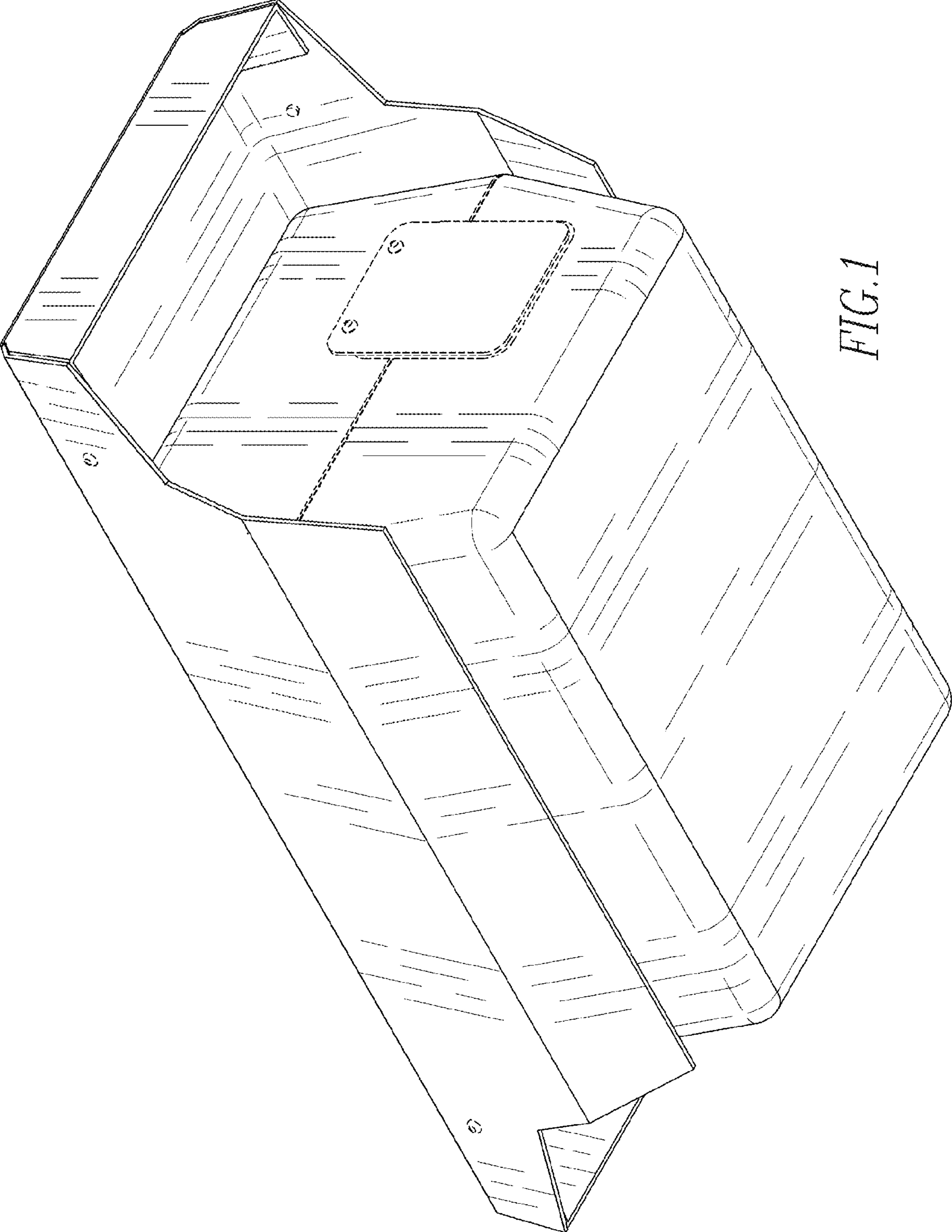


FIG. 1

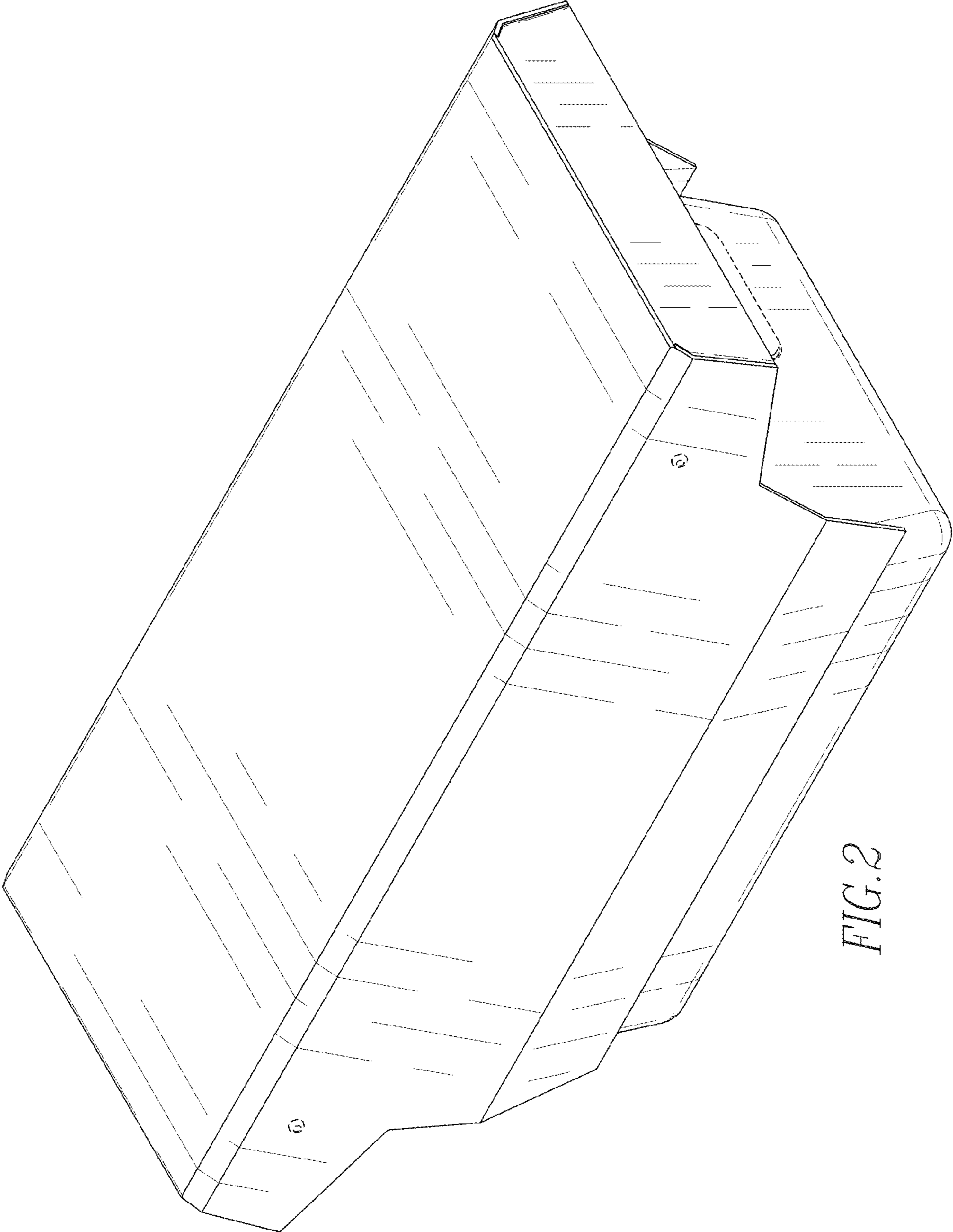
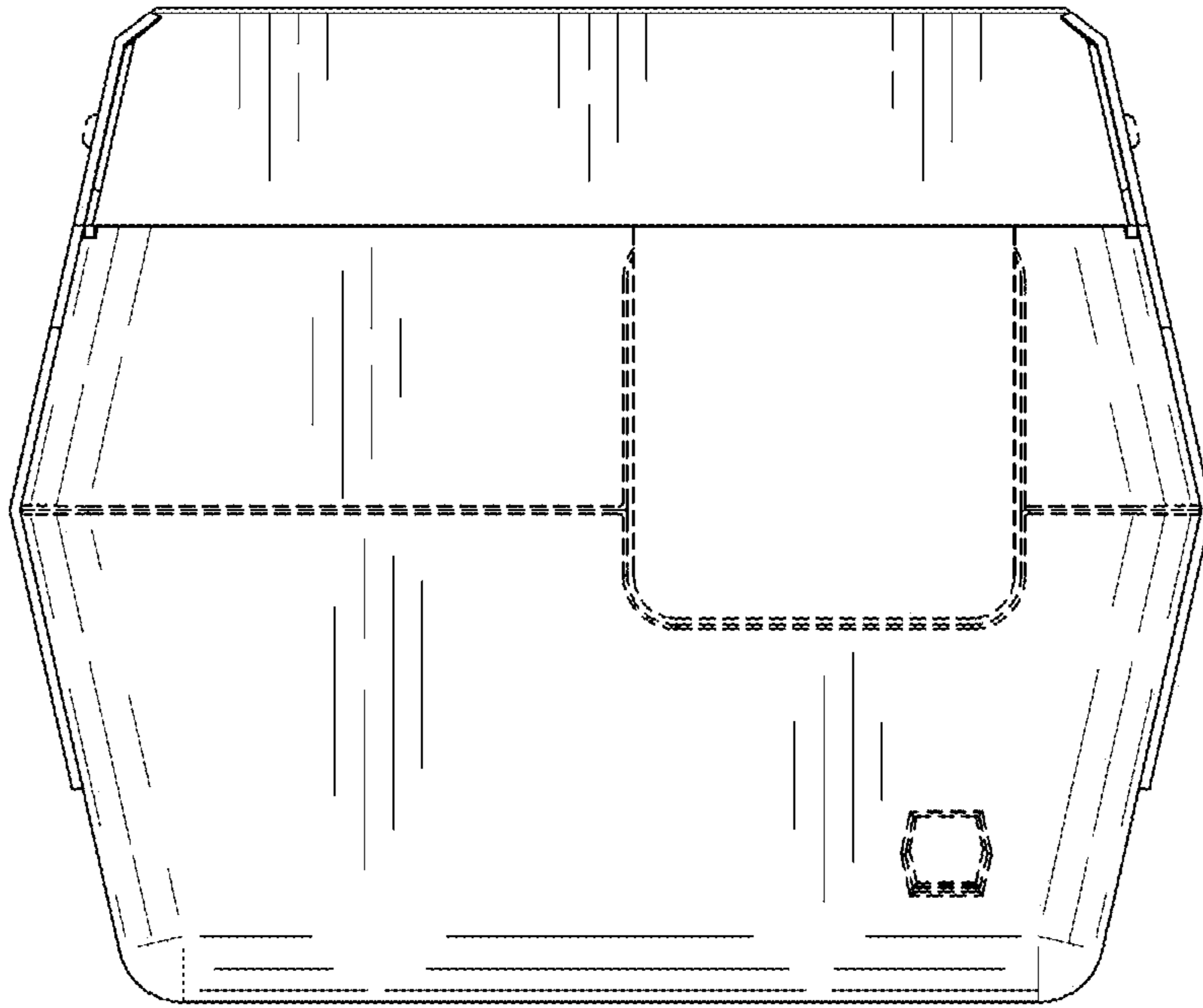
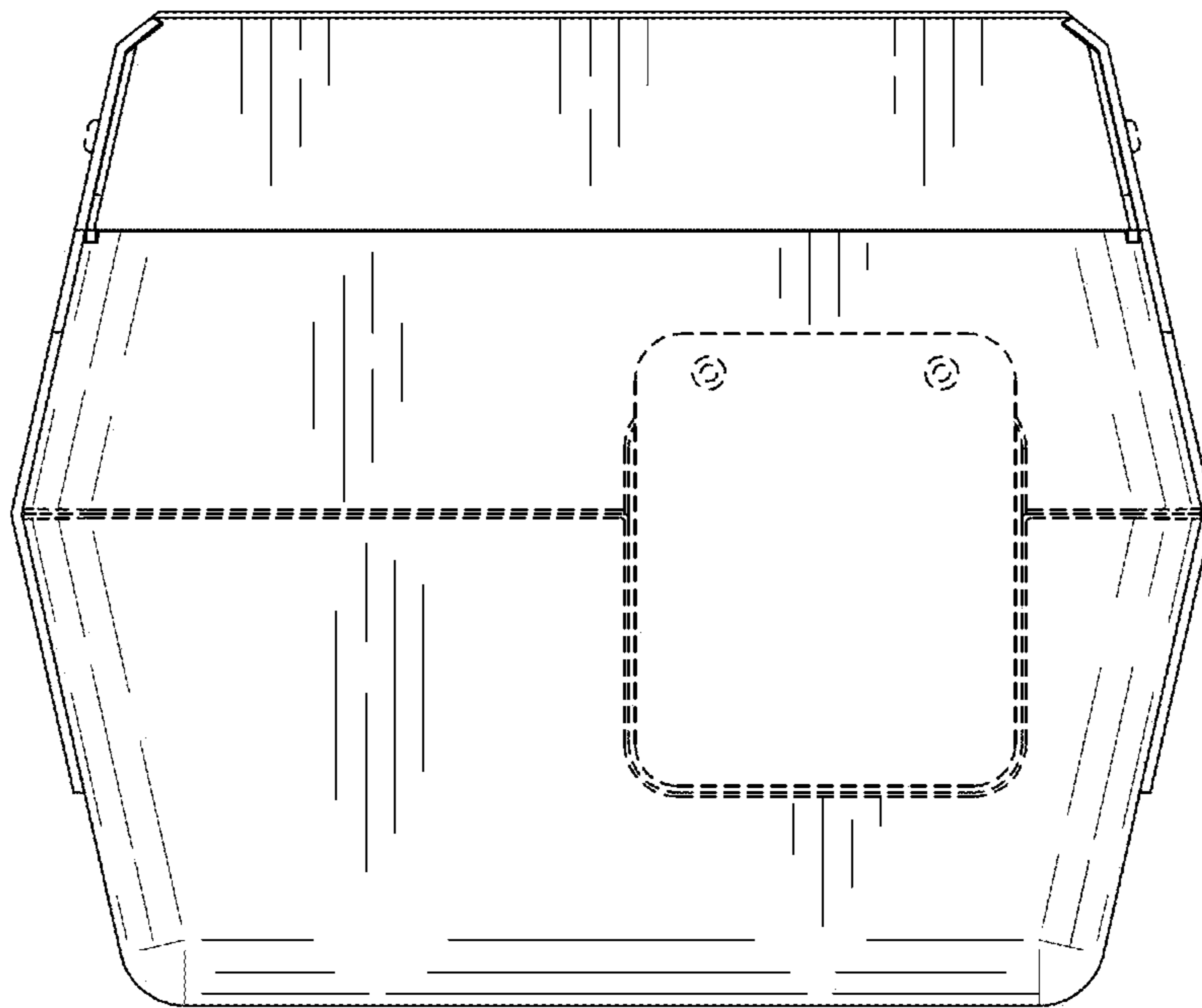


FIG. 2



*FIG. 3*



*FIG. 4*

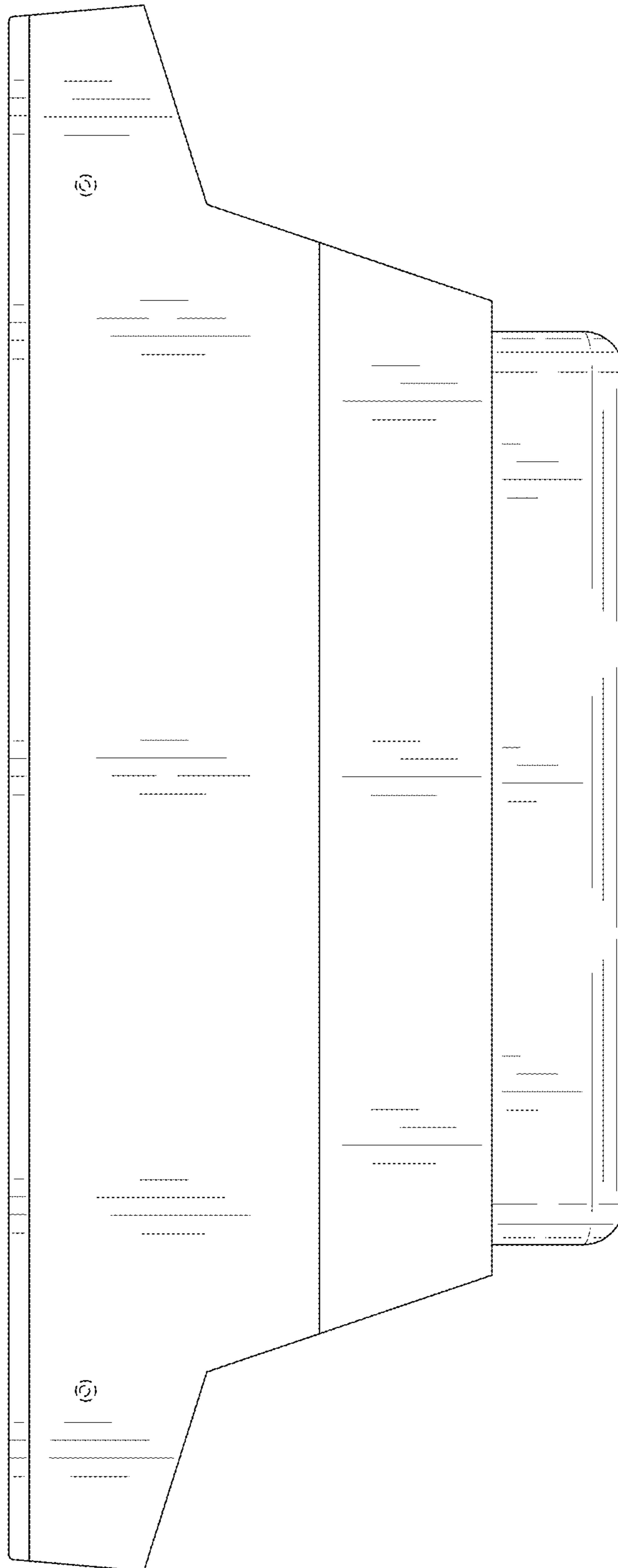


FIG. 5

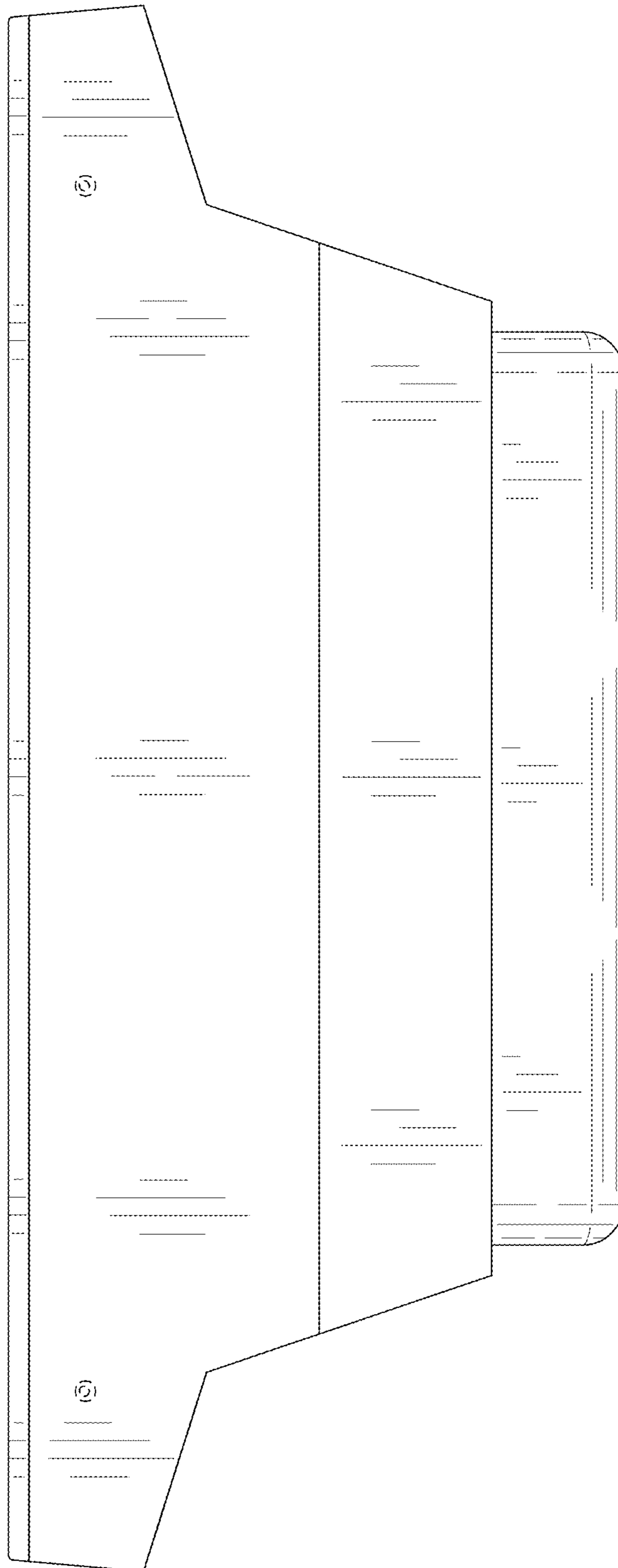


FIG. 6

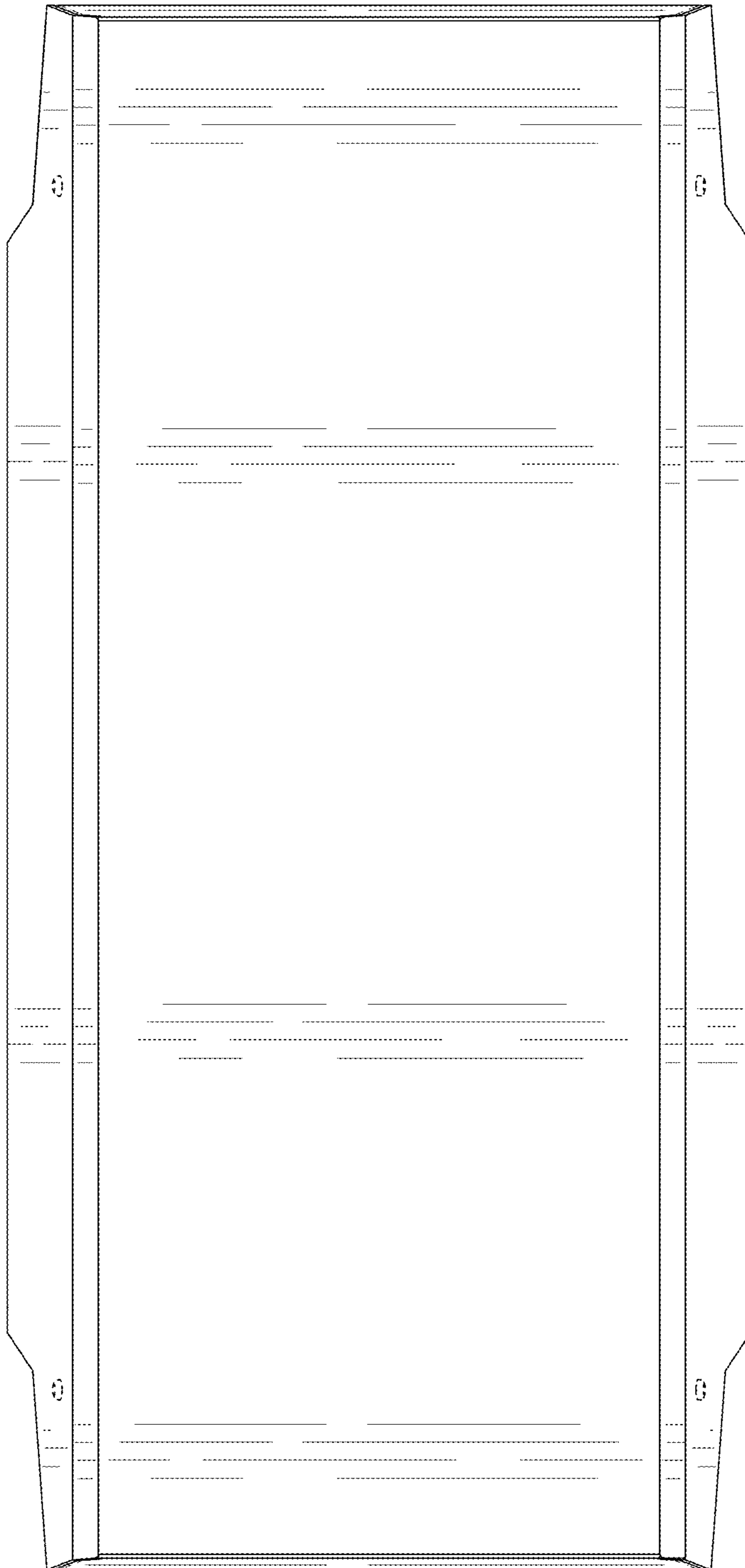


FIG. 7

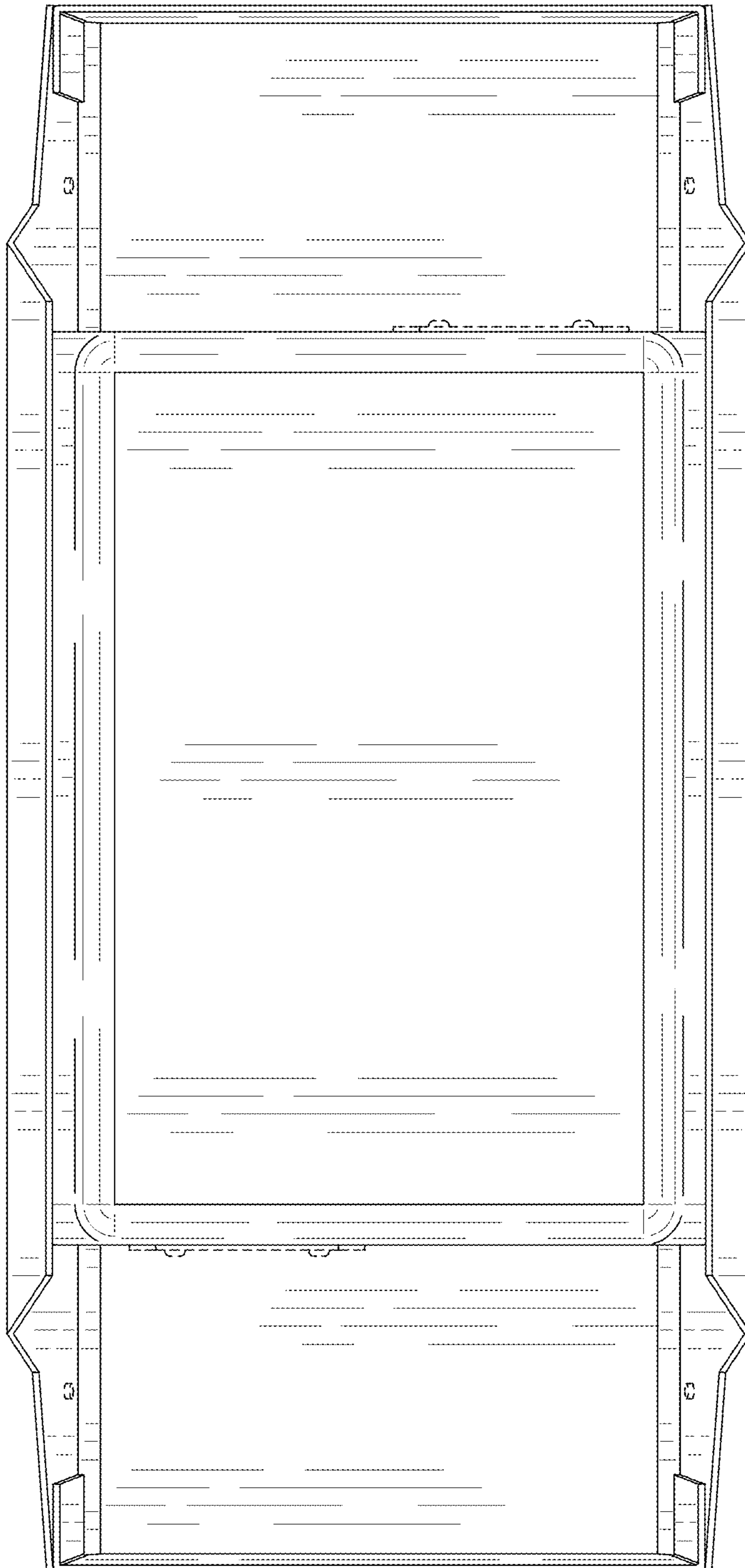


FIG. 8