

US00D966612S

(12) **United States Design Patent**  
**Tang**

(10) **Patent No.:** **US D966,612 S**

(45) **Date of Patent:** **\*\* Oct. 11, 2022**

(54) **FOOT GRINDER**

(71) Applicant: **Damei Tang**, Yichun (CN)

(72) Inventor: **Damei Tang**, Yichun (CN)

(\*\*) Term: **15 Years**

(21) Appl. No.: **29/799,727**

(22) Filed: **Jul. 16, 2021**

(51) **LOC (13) Cl.** ..... **28-03**

(52) **U.S. Cl.**  
USPC ..... **D28/59**

(58) **Field of Classification Search**

USPC ..... D24/211; D28/59, 58  
CPC ..... A61B 17/54-545; A45D 29/05; A45D  
2029/045; A45D 29/04

See application file for complete search history.

(56) **References Cited**

**U.S. PATENT DOCUMENTS**

D369,438 S *	4/1996	Resler .....	D28/59
D416,648 S *	11/1999	Letherby .....	D28/59
D475,808 S *	6/2003	Jancik .....	D28/59
D513,093 S *	12/2005	Kim .....	D28/59
D530,450 S *	10/2006	Park .....	D28/59

D544,649 S *	6/2007	Kennedy .....	D28/59
D561,398 S *	2/2008	Park .....	D28/59
D584,452 S *	1/2009	Kennedy .....	D28/59
D617,499 S *	6/2010	Huang .....	D28/59
D662,670 S *	6/2012	Marden .....	D28/59
D666,772 S *	9/2012	Park .....	D28/59
D776,879 S *	1/2017	Johnson .....	D28/59
D901,081 S	11/2020	Tang	

\* cited by examiner

*Primary Examiner* — Jennifer Rivard

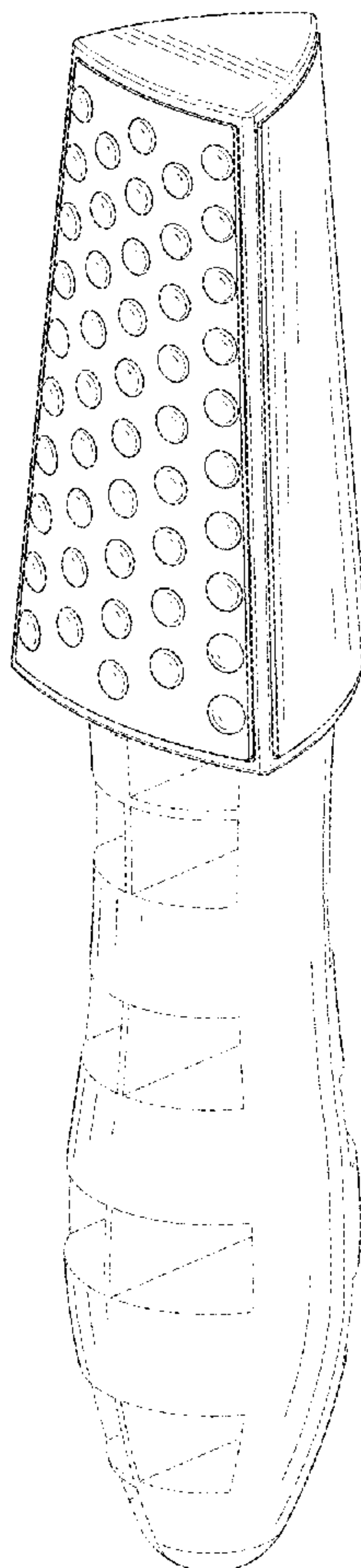
(57) **CLAIM**

The ornamental design for a foot grinder, as shown and described.

**DESCRIPTION**

FIG. 1 is a front and top perspective view of a foot grinder, showing my new design;  
 FIG. 2 is a rear and bottom perspective view thereof;  
 FIG. 3 is a front elevation view thereof;  
 FIG. 4 is a rear elevation view thereof;  
 FIG. 5 is a left side elevation view thereof;  
 FIG. 6 is a right side elevation view thereof;  
 FIG. 7 is a top plan view thereof; and,  
 FIG. 8 is a bottom plan view thereof.  
 The broken lines illustrate portions of the foot grinder that form no part of the claimed design.

**1 Claim, 8 Drawing Sheets**



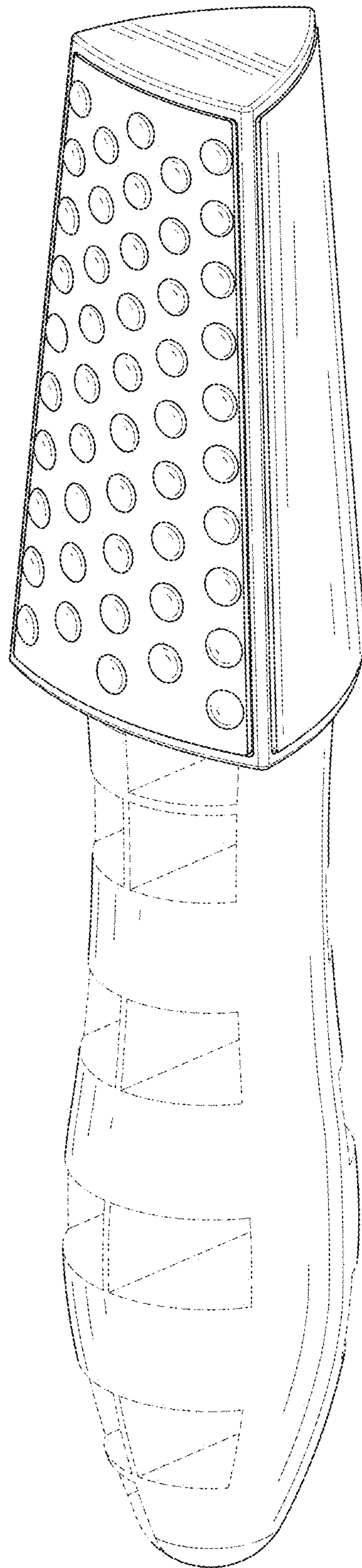


FIG. 1

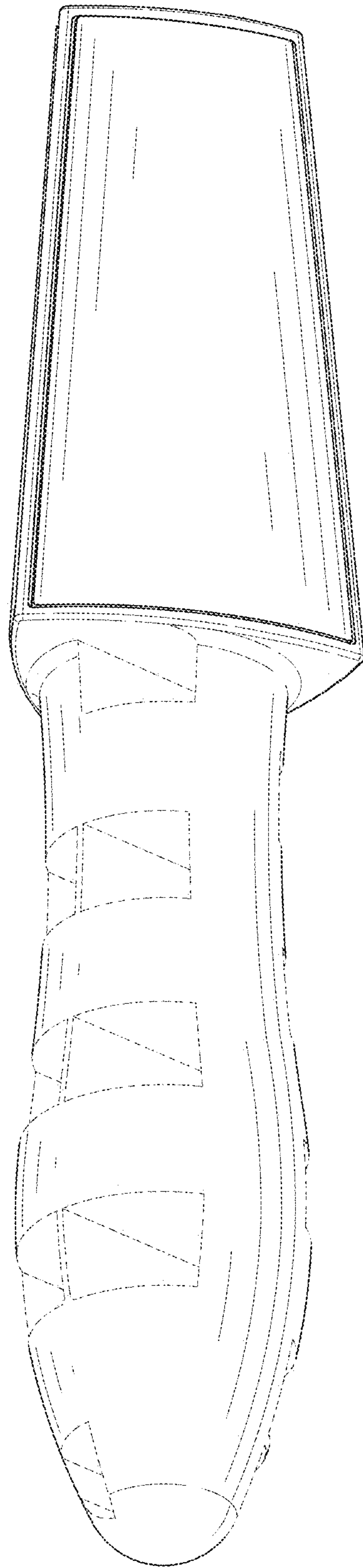


FIG. 2

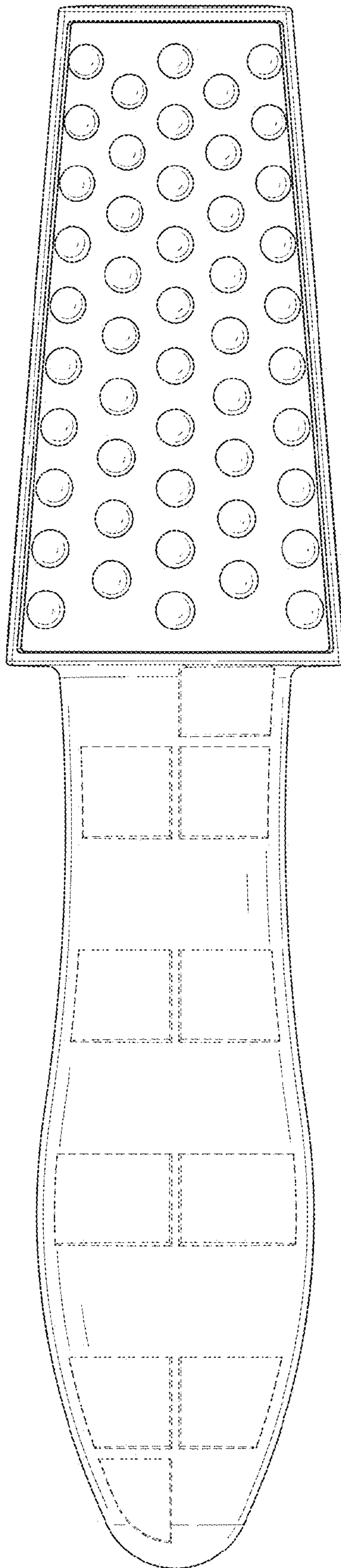


FIG. 3

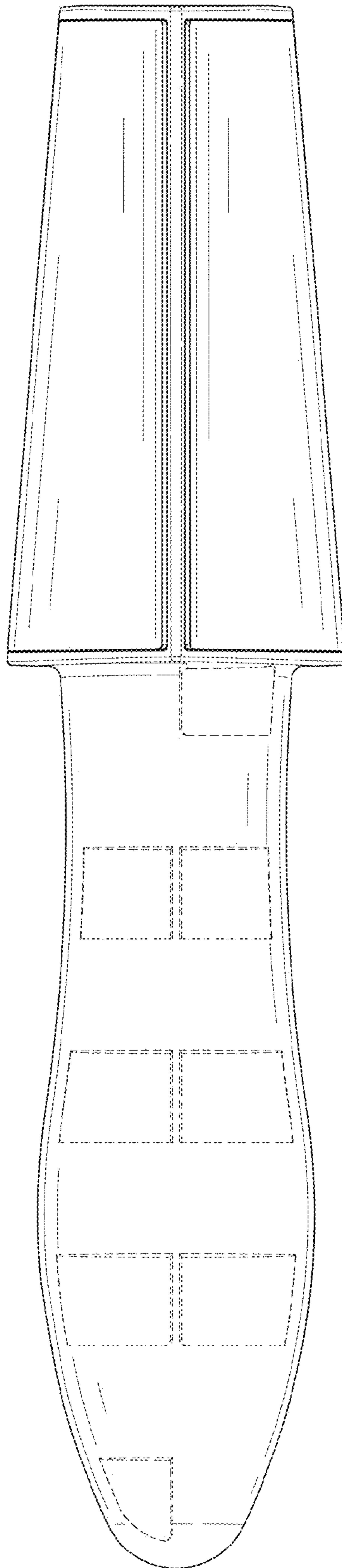


FIG. 4



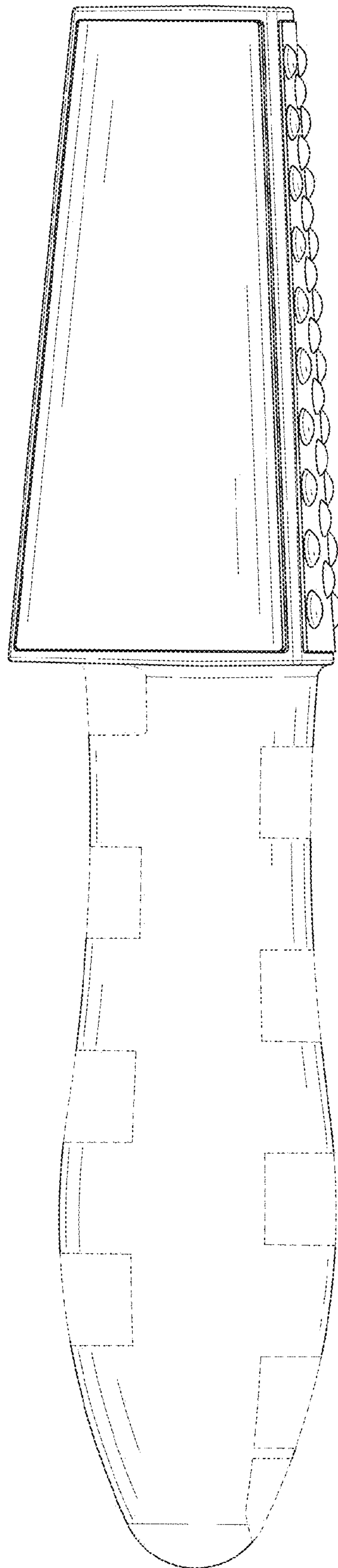


FIG. 5

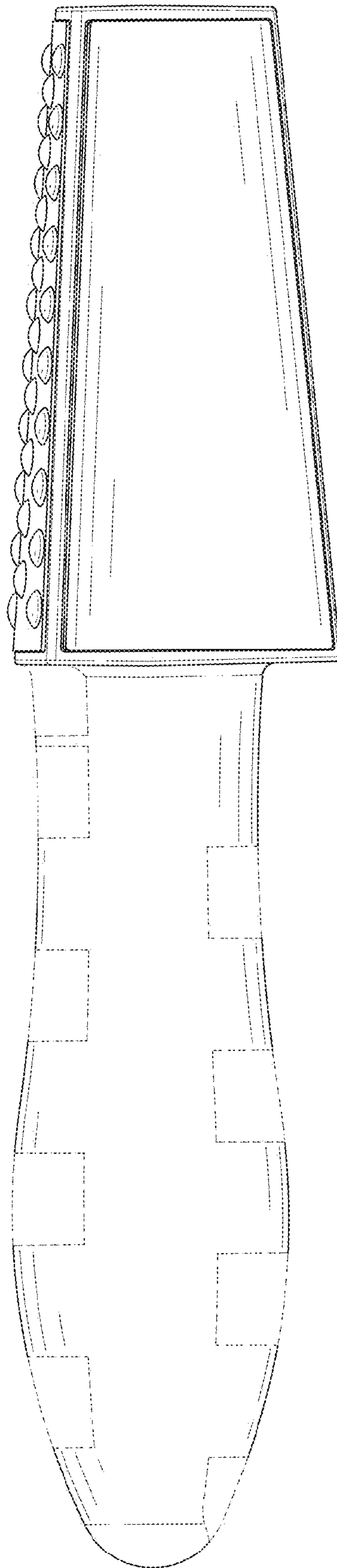


FIG. 6

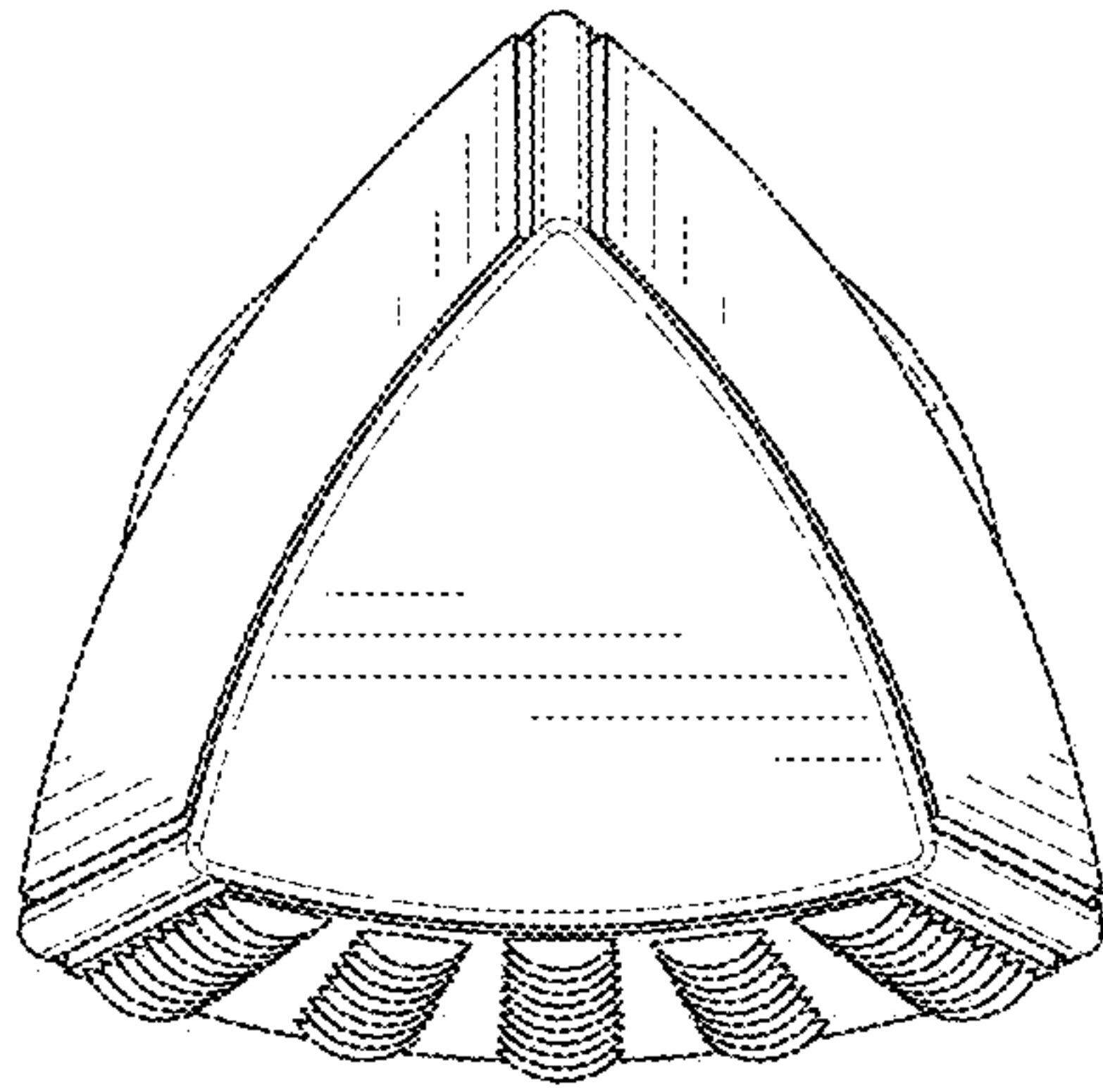


FIG. 7



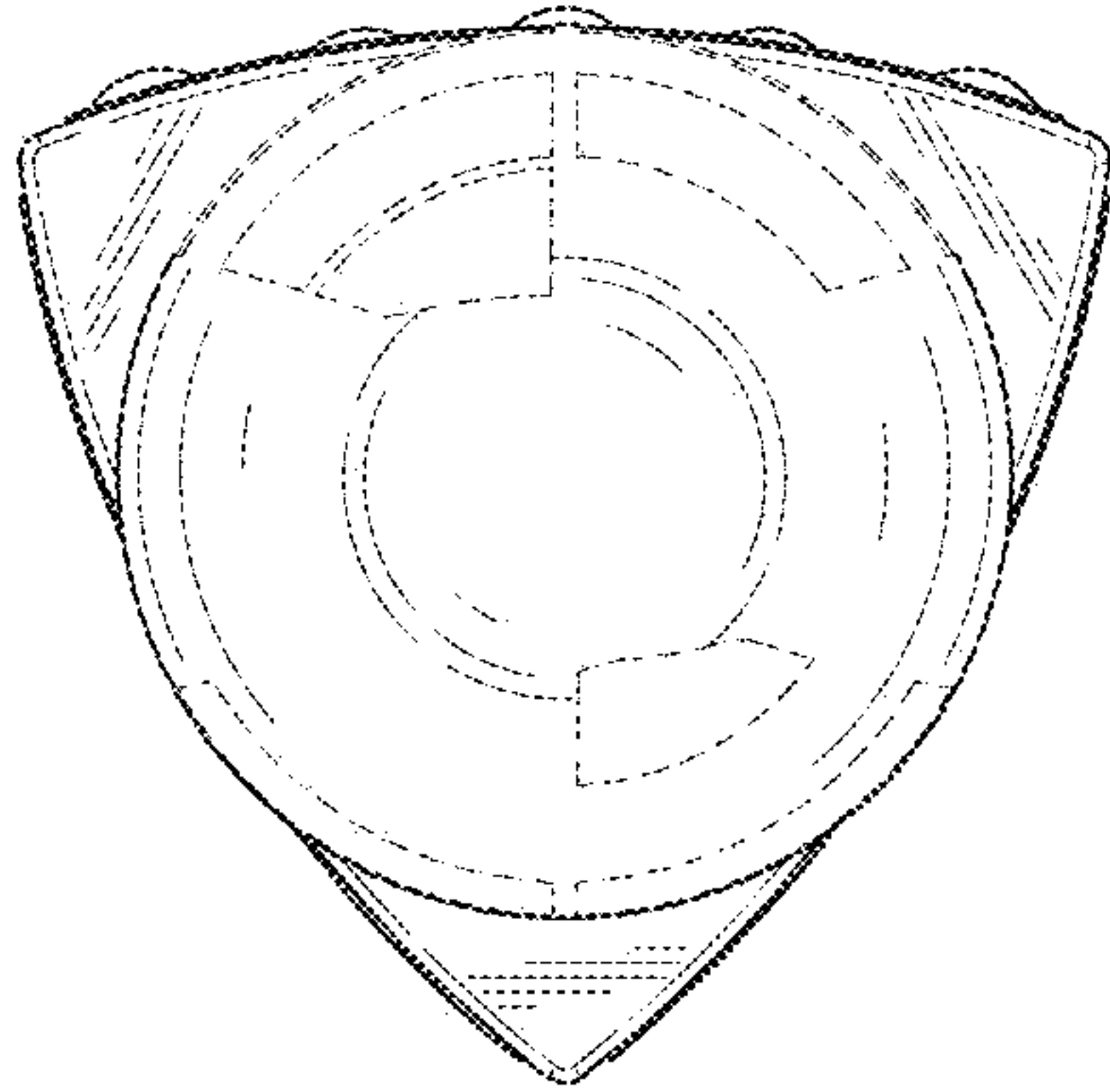


FIG. 8