



US00D966611S

(12) **United States Design Patent** (10) **Patent No.:** **US D966,611 S**
Tan et al. (45) **Date of Patent:** **** *Oct. 11, 2022**

(54) **FINGERNAIL GEL CURING LAMP**

(56) **References Cited**

(71) Applicant: **Glam and Glits Nail Design, Inc.,**
Bakersfield, CA (US)

U.S. PATENT DOCUMENTS

(72) Inventors: **Ana Katrina Tan,** Bakersfield, CA
(US); **Khoa Duong,** Bakersfield, CA
(US)

D686,369	S	*	7/2013	Horvath	D28/58
D805,692	S	*	12/2017	Cheng	D28/58
D811,010	S	*	2/2018	Tan	D28/58
D844,472	S	*	4/2019	Van Wijngaarden	D10/97
D858,884	S	*	9/2019	Wu	D28/58
D894,658	S	*	9/2020	Davenport	D7/309
10,827,815	B1	*	11/2020	Tan	A45D 29/18
D917,785	S	*	4/2021	Tan	D28/58
D930,905	S	*	9/2021	Tan	D28/58
2014/0153245	A1	*	6/2014	Horvath	H05K 1/0203 362/249.06
2016/0353856	A1	*	12/2016	Horvath	A45D 29/22
2021/0112941	A1	*	4/2021	Tan	H05G 2/00
2021/0161271	A1	*	6/2021	Cheng	A45D 29/00

(73) Assignee: **Glam and Glits Nail Design, Inc.,**
Bakersfield, CA (US)

(*) Notice: This patent is subject to a terminal disclaimer.

(**) Term: **15 Years**

* cited by examiner

(21) Appl. No.: **29/807,768**

Primary Examiner — Alison M Ofstun

(22) Filed: **Sep. 14, 2021**

(74) *Attorney, Agent, or Firm* — Lapple Ubell IP Law,
LLP.; Matthew C. Lapple

Related U.S. Application Data

(57) **CLAIM**

(63) Continuation of application No. 29/738,305, filed on Jun. 16, 2020, now Pat. No. Des. 930,905, which is a continuation of application No. 29/710,363, filed on Oct. 22, 2019, now Pat. No. Des. 917,785.

The ornamental design for a fingernail gel curing lamp, as shown and described.

(51) **LOC (13) Cl.** **28-03**

DESCRIPTION

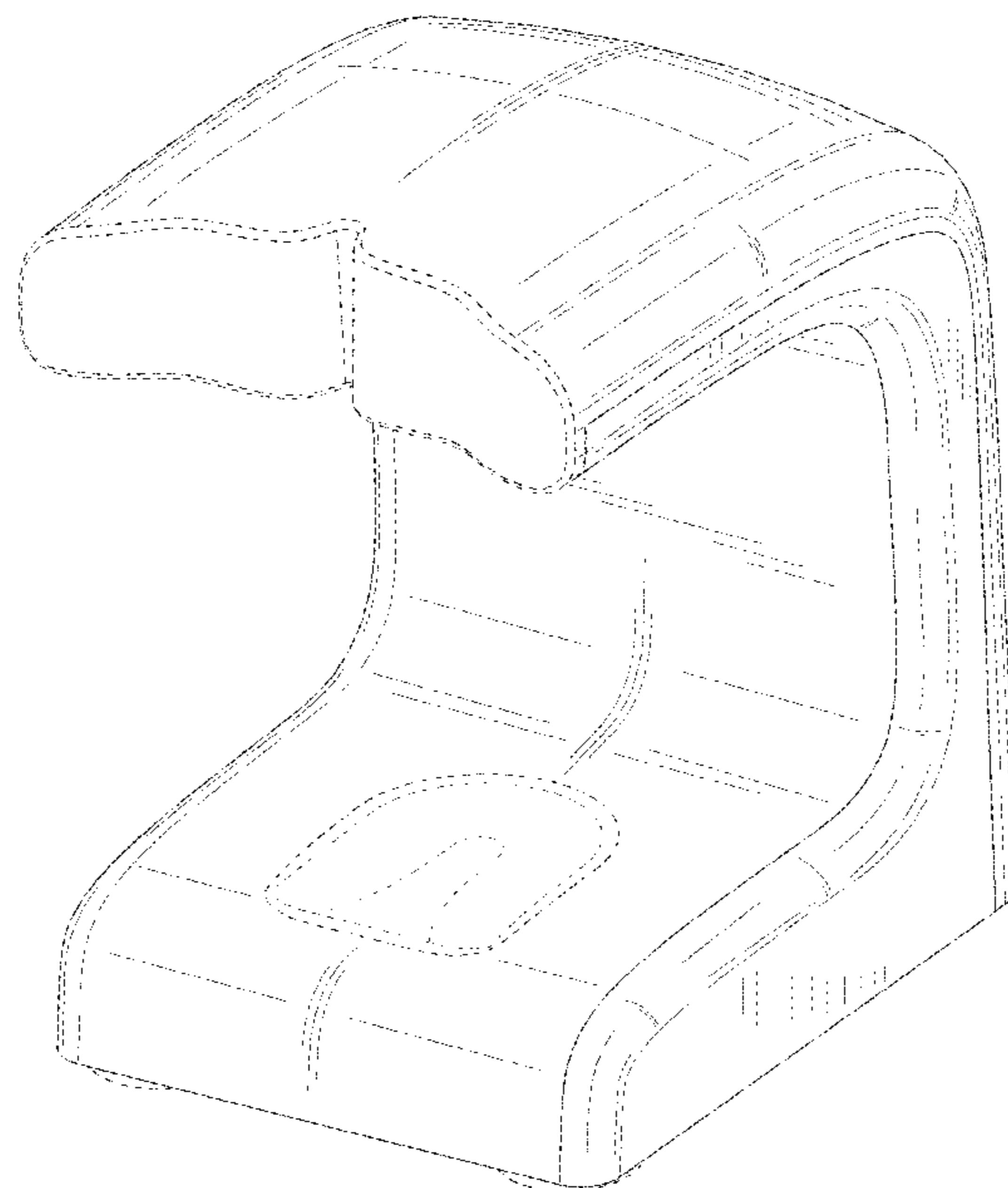
(52) **U.S. Cl.**
USPC **D28/58**

(58) **Field of Classification Search**
USPC D28/9, 54.1, 56-63, 99; D7/306, 311,
D7/399; D23/207
CPC B05D 3/00; B05D 3/067; A45D 29/00;
A45D 29/18; A45D 29/20; A45D
2200/205; A45D 29/11; A45D 29/14;
F26B 3/34; F26B 3/347

FIG. 1 is a top perspective view of a fingernail gel curing lamp showing our new design;
FIG. 2 is a bottom perspective view thereof;
FIG. 3 is front view thereof;
FIG. 4 is a back view thereof;
FIG. 5 is a left side view thereof;
FIG. 6 is a right side view thereof;
FIG. 7 is a top view thereof; and,
FIG. 8 is a bottom view thereof.
In FIGS. 1-8, the broken lines define the bounds of the claimed design and form no part thereof.

See application file for complete search history.

1 Claim, 8 Drawing Sheets



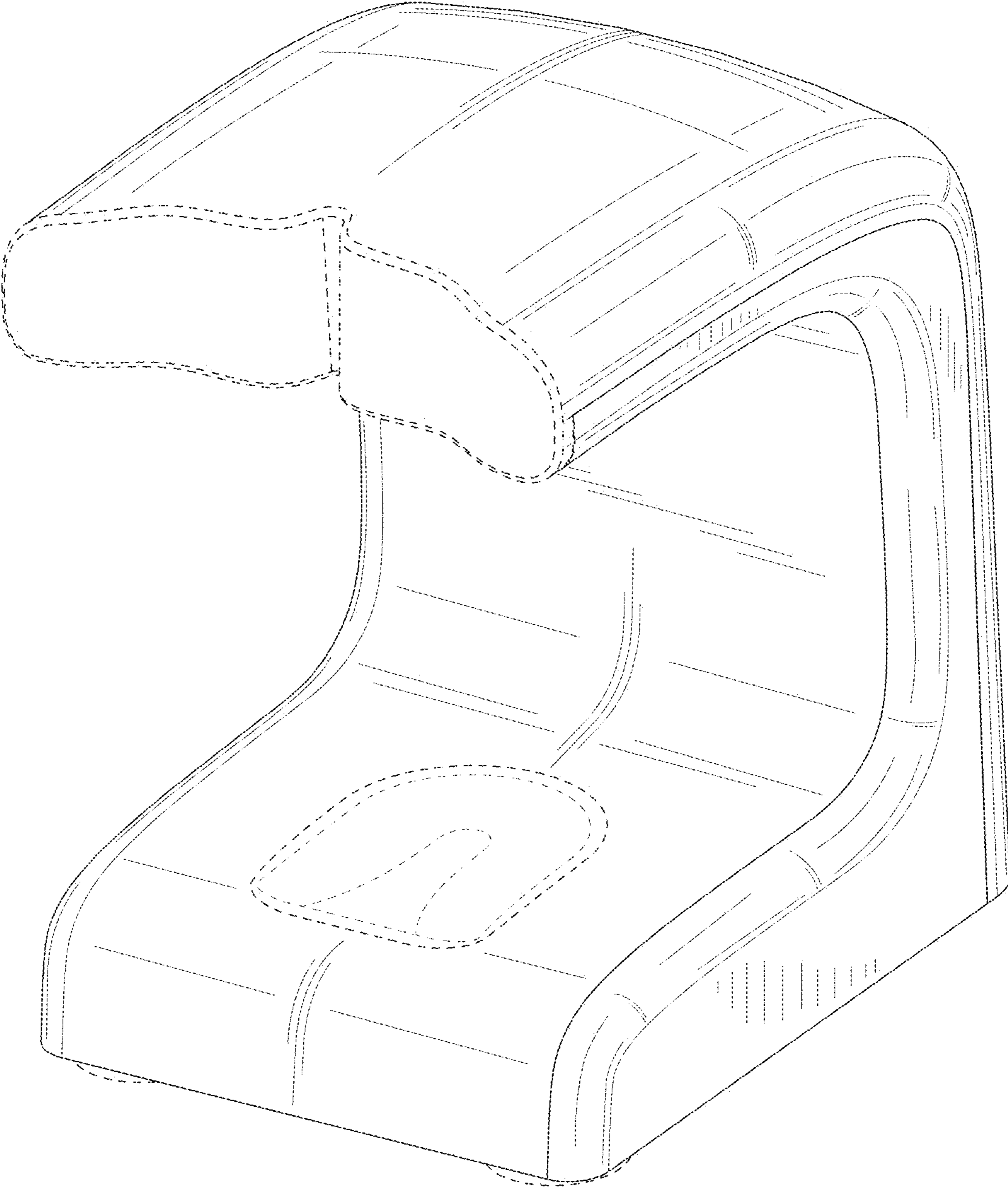


FIG. 1

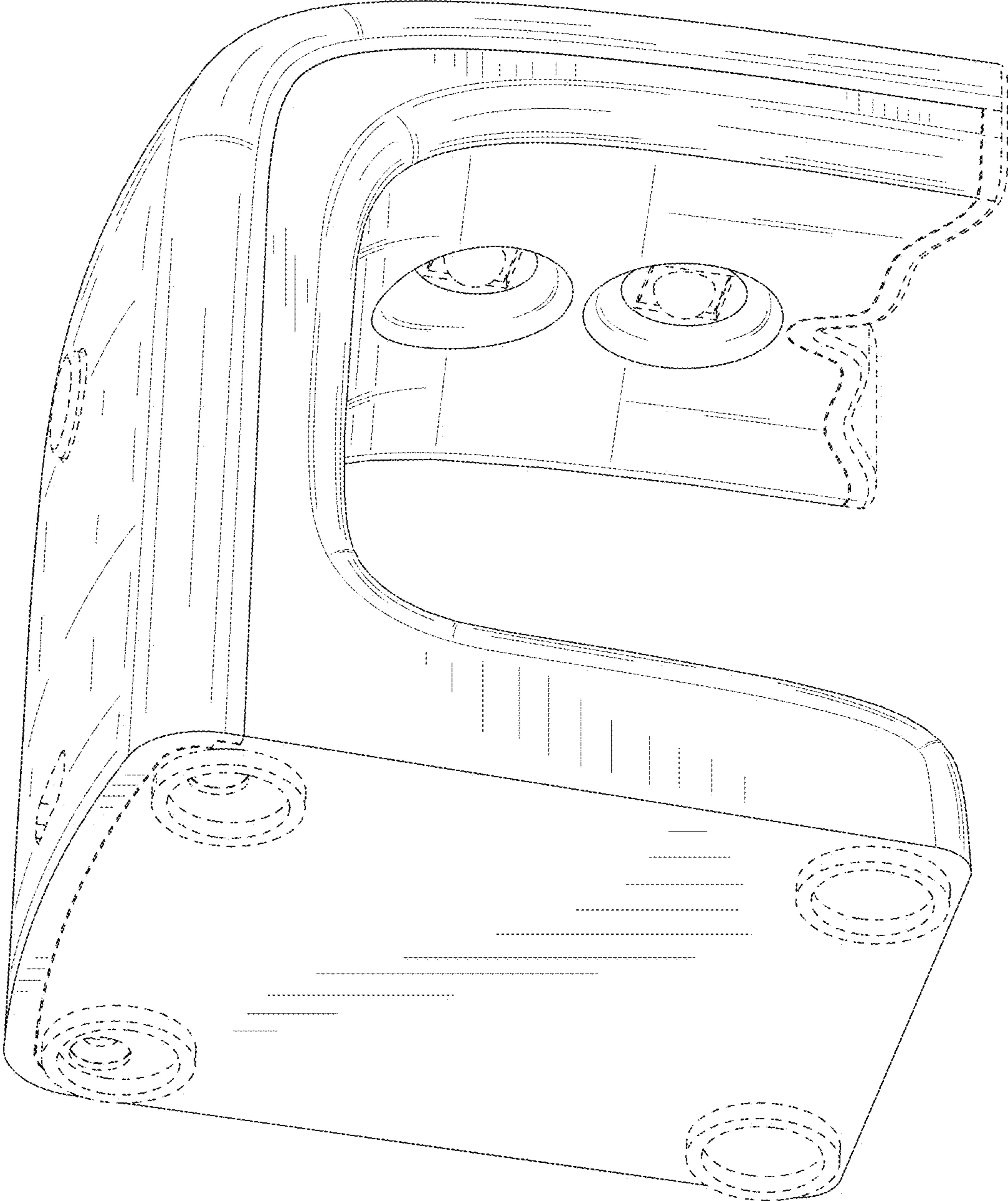


FIG. 2

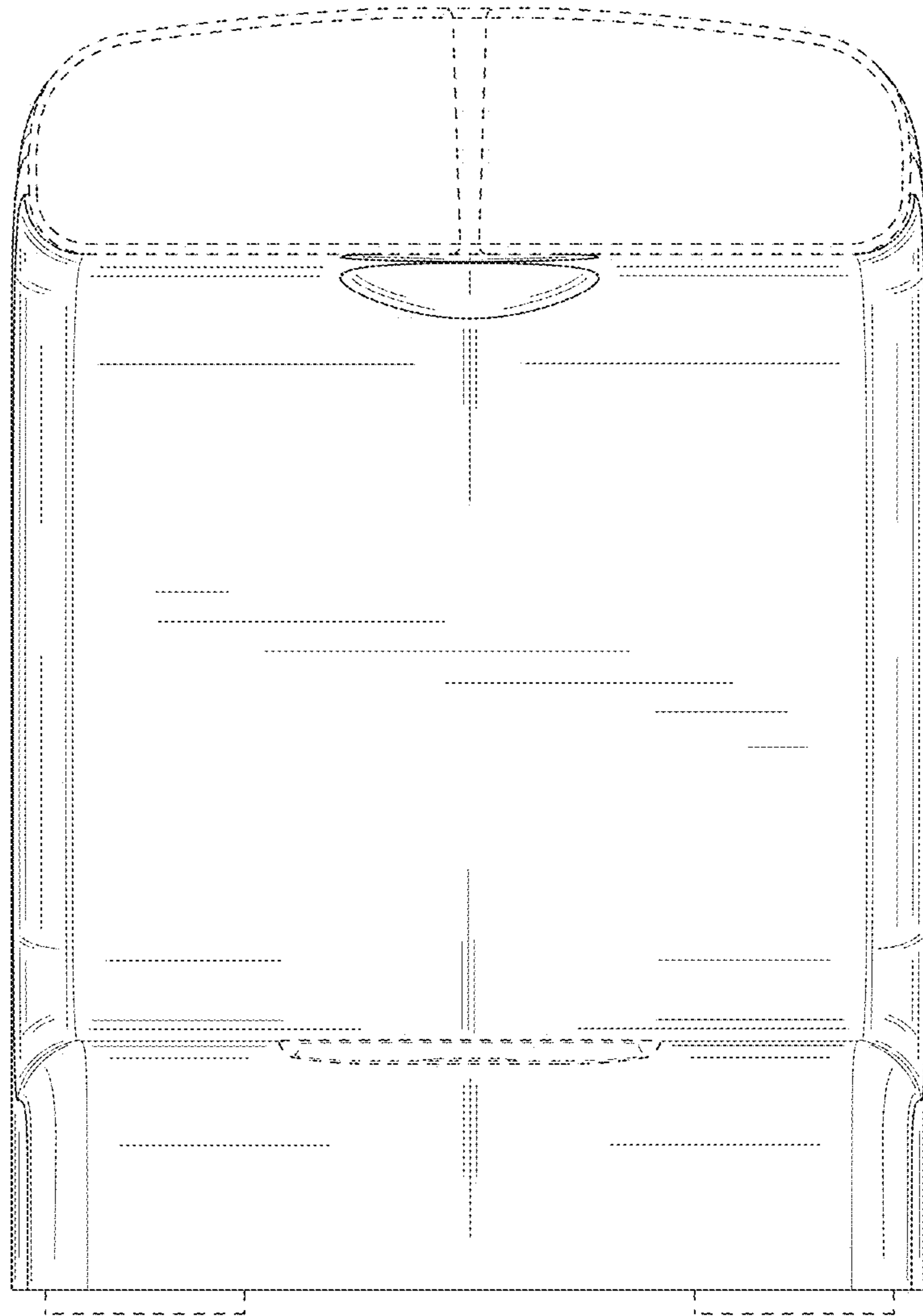


FIG. 3

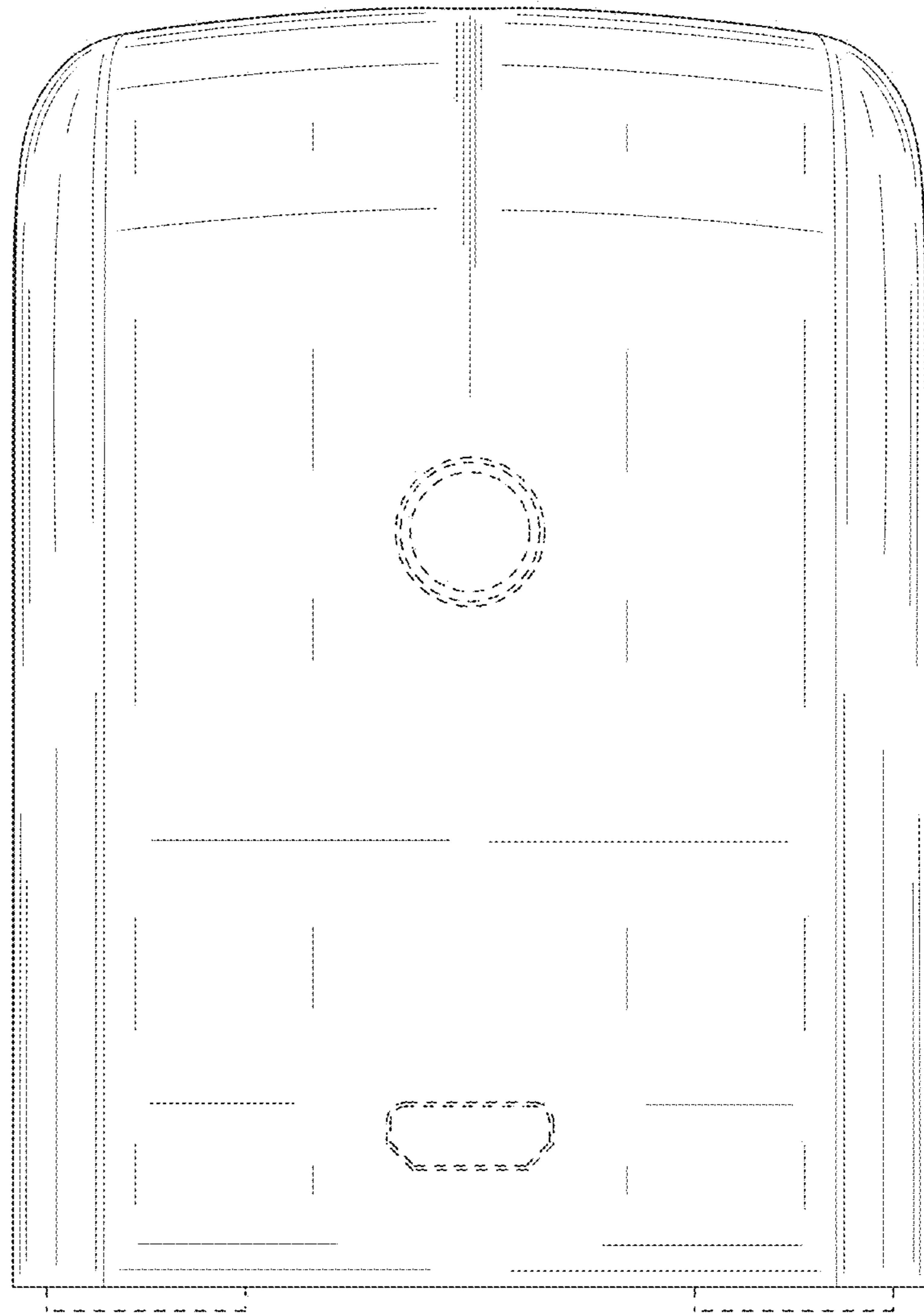


FIG. 4

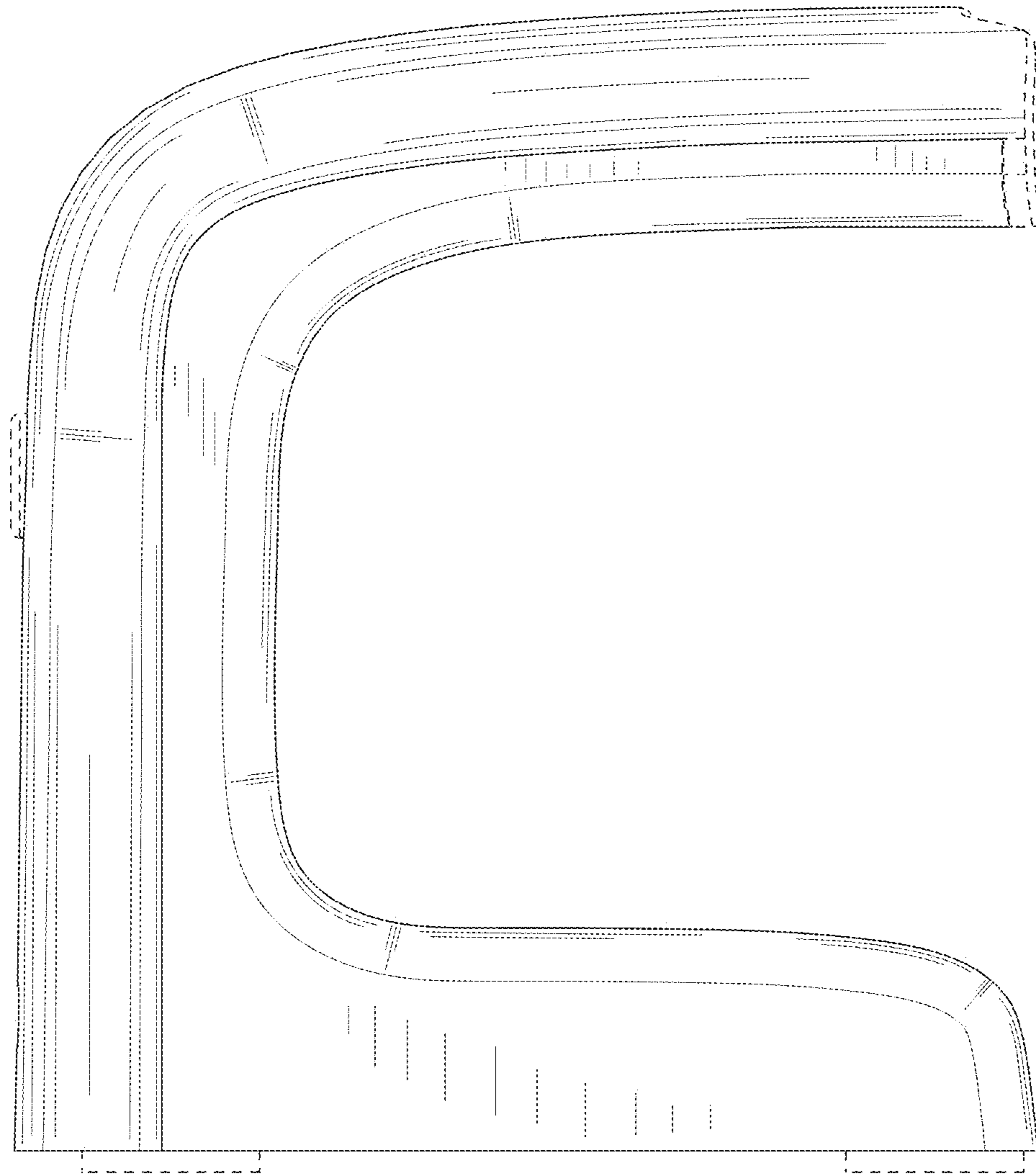


FIG. 5

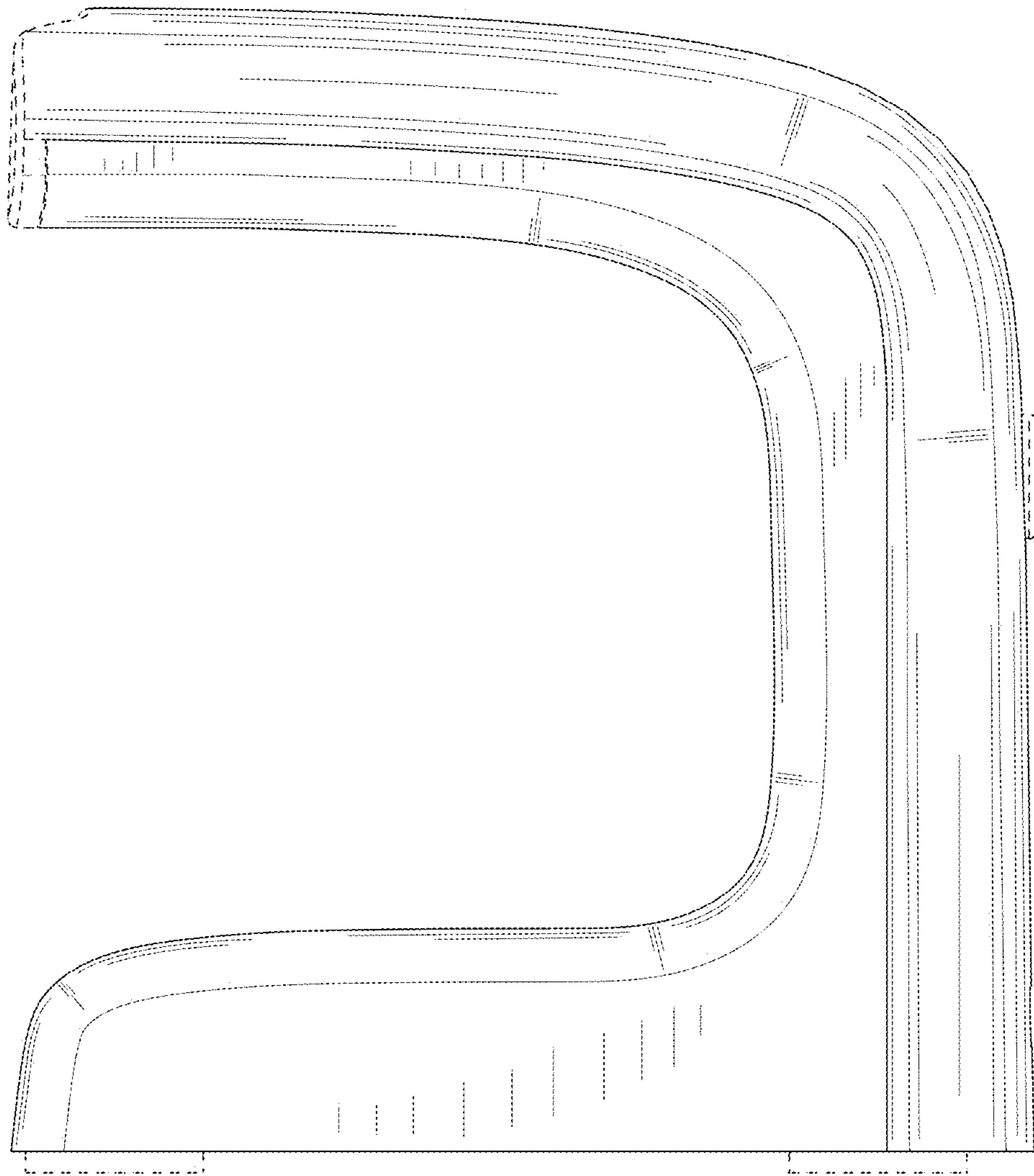


FIG. 6

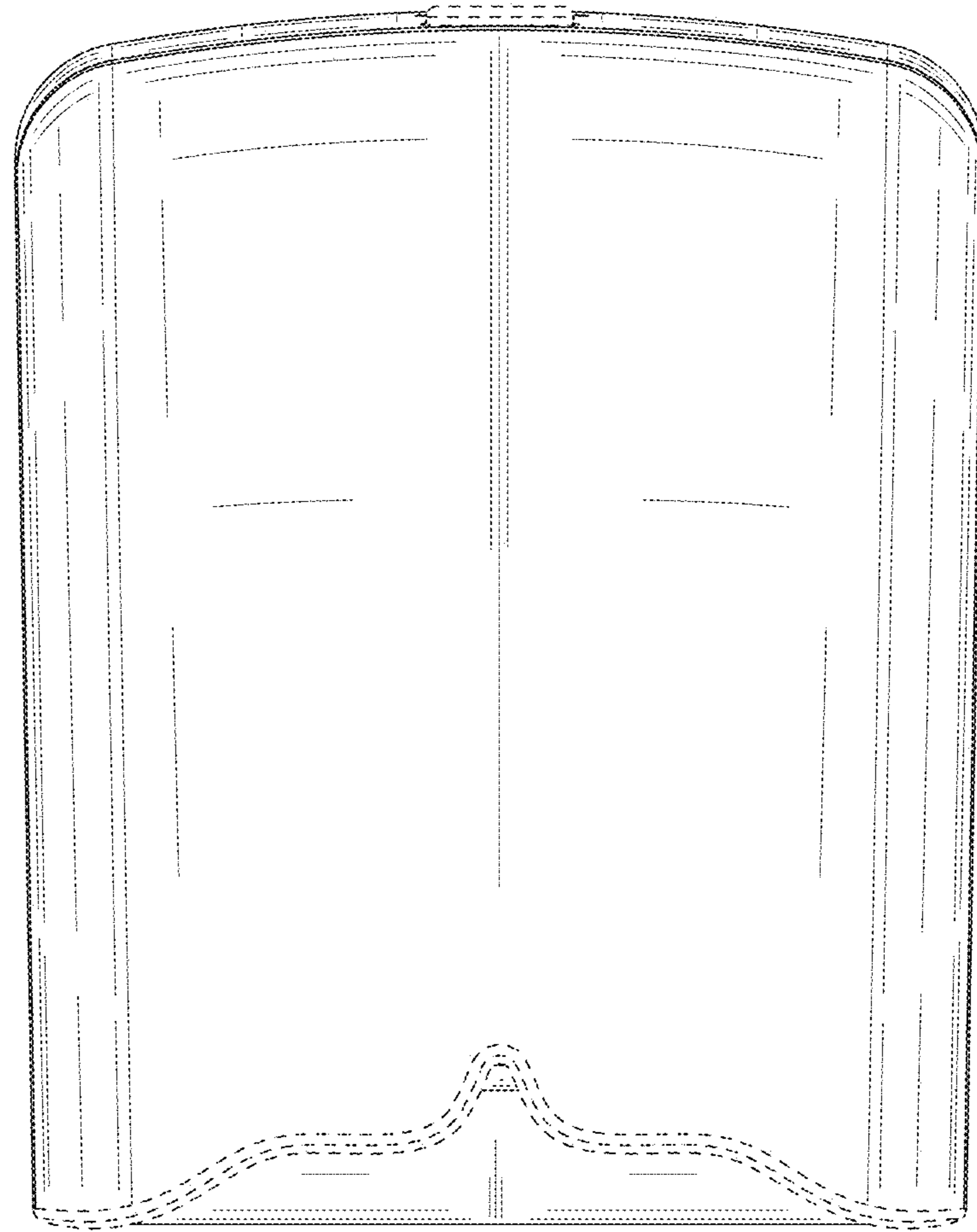


FIG. 7

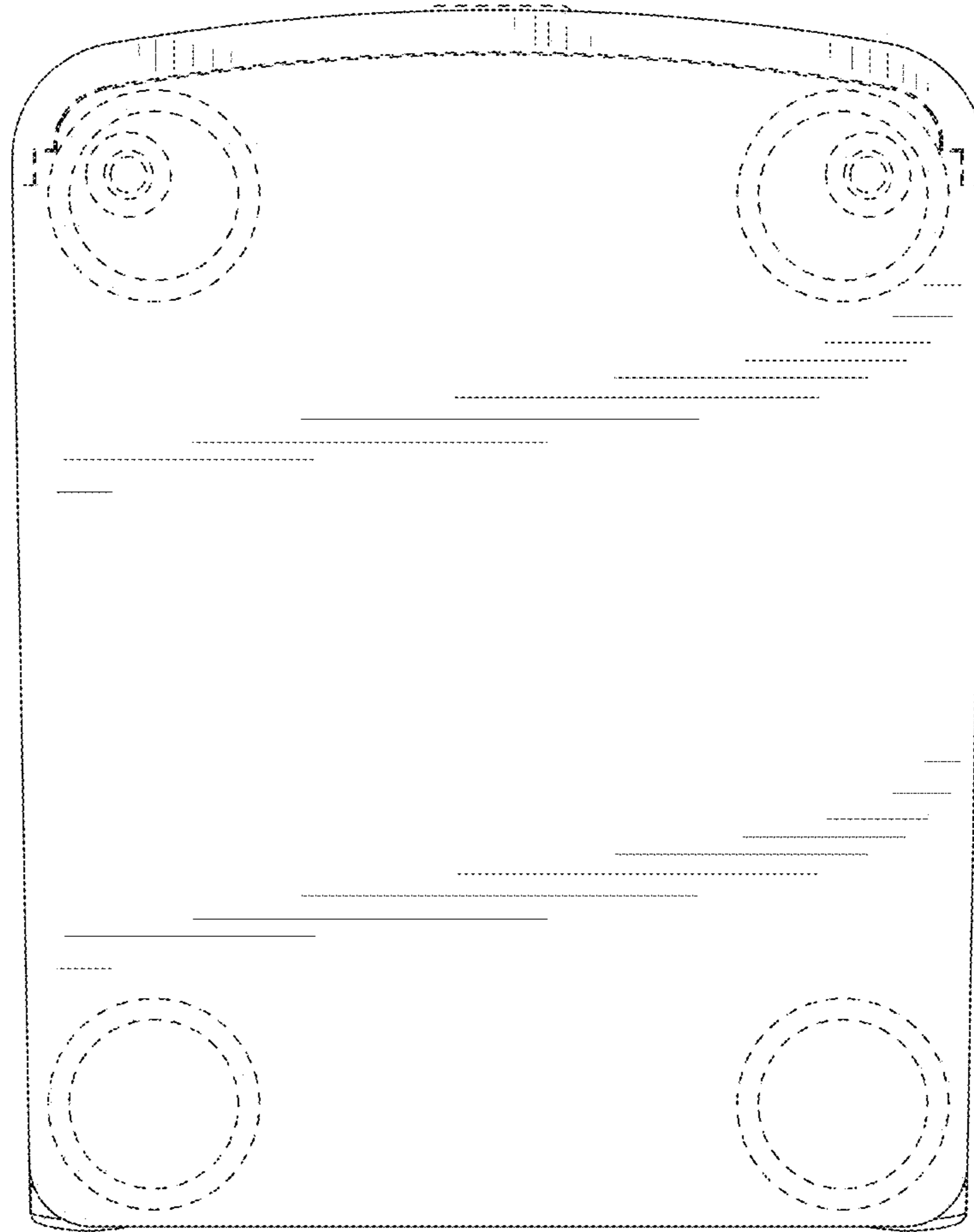


FIG. 8