



US00D966610S

(12) **United States Design Patent** (10) **Patent No.:** **US D966,610 S**
Liu (45) **Date of Patent:** **** Oct. 11, 2022**

(54) **PARAFFIN WAX WARMER**
(71) Applicant: **Guangzhou Fourto Sanitary Products Co., LTD**, Guangdong (CN)

(72) Inventor: **Ziyi Liu**, Guangdong (CN)
(73) Assignee: **Guangzhou Fourto Sanitary Products Co., LTD**, Guangzhou (CN)

(**) Term: **15 Years**
(21) Appl. No.: **29/768,200**

(22) Filed: **Jan. 28, 2021**
(51) **LOC (13) Cl.** **28-03**
(52) **U.S. Cl.**
USPC **D28/44.1**; D24/200
(58) **Field of Classification Search**
USPC D28/44, 44.1, 56-58; D24/200, 206;
D9/424-428, 432
CPC A45D 29/00; A45D 29/18; A45D 29/20;
A45D 2026/008; A45D 26/0014
See application file for complete search history.

(56) **References Cited**

U.S. PATENT DOCUMENTS

D441,455 S * 5/2001 Feer D24/200
D907,233 S * 1/2021 Wu D24/217
D909,592 S * 2/2021 Li D24/200
D932,641 S * 10/2021 Mo D24/200
D933,889 S * 10/2021 Li D23/366
D938,602 S * 12/2021 Liu D24/200
D939,719 S * 12/2021 Liu D24/200
D944,408 S * 2/2022 Zhang D24/200
D947,397 S * 3/2022 Deng D28/44.1

D948,064 S * 4/2022 Liu D28/44.1
D948,065 S * 4/2022 Zhang D28/44.1
2003/0003118 A1* 1/2003 Boilen A61K 8/31
424/502

OTHER PUBLICATIONS

Paraffin Wax Machine, Fanci Beauty VI, reviewed on Dec. 29, 2021 on amazon.com, retrieved on May 31, 2022, retrieved from the Internet URL: https://www.amazon.com/Paraffin-Machine-Paraffin-Thermal-Arthritis/dp/B096323RK1/ref=sr_1_51_sspa?crd=3U3YFG3ECEV3W&keywords=paraffin+wax+warmers&qid=1654025846&prefix=paraffin+wax.*

* cited by examiner

Primary Examiner — Alison M Ofstun

(57) **CLAIM**

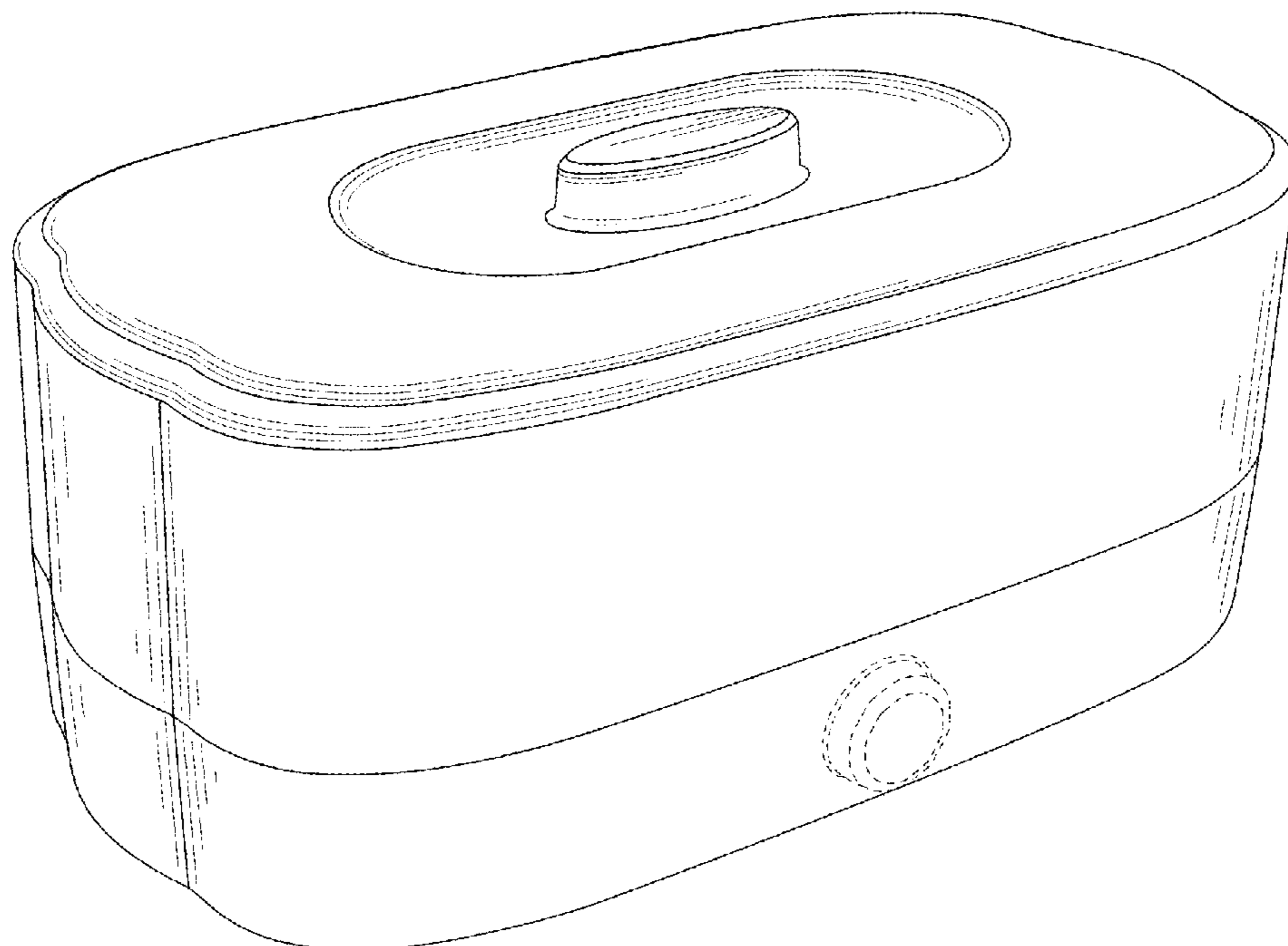
The ornamental design for a paraffin wax warmer, as shown and described.

DESCRIPTION

FIG. 1 is a top, front and left side perspective view of a paraffin wax warmer showing my new design;
FIG. 2 is a top, front and right side perspective view thereof;
FIG. 3 is a bottom and rear perspective view thereof;
FIG. 4 is a top plan view thereof;
FIG. 5 is a bottom plan view thereof;
FIG. 6 is a front elevational view thereof;
FIG. 7 is a rear elevational view thereof;
FIG. 8 is a right side view thereof; and,
FIG. 9 is a left side view thereof.

The broken lines in the drawings illustrate portions of the paraffin wax warmer which form no part of the claimed design.

1 Claim, 9 Drawing Sheets



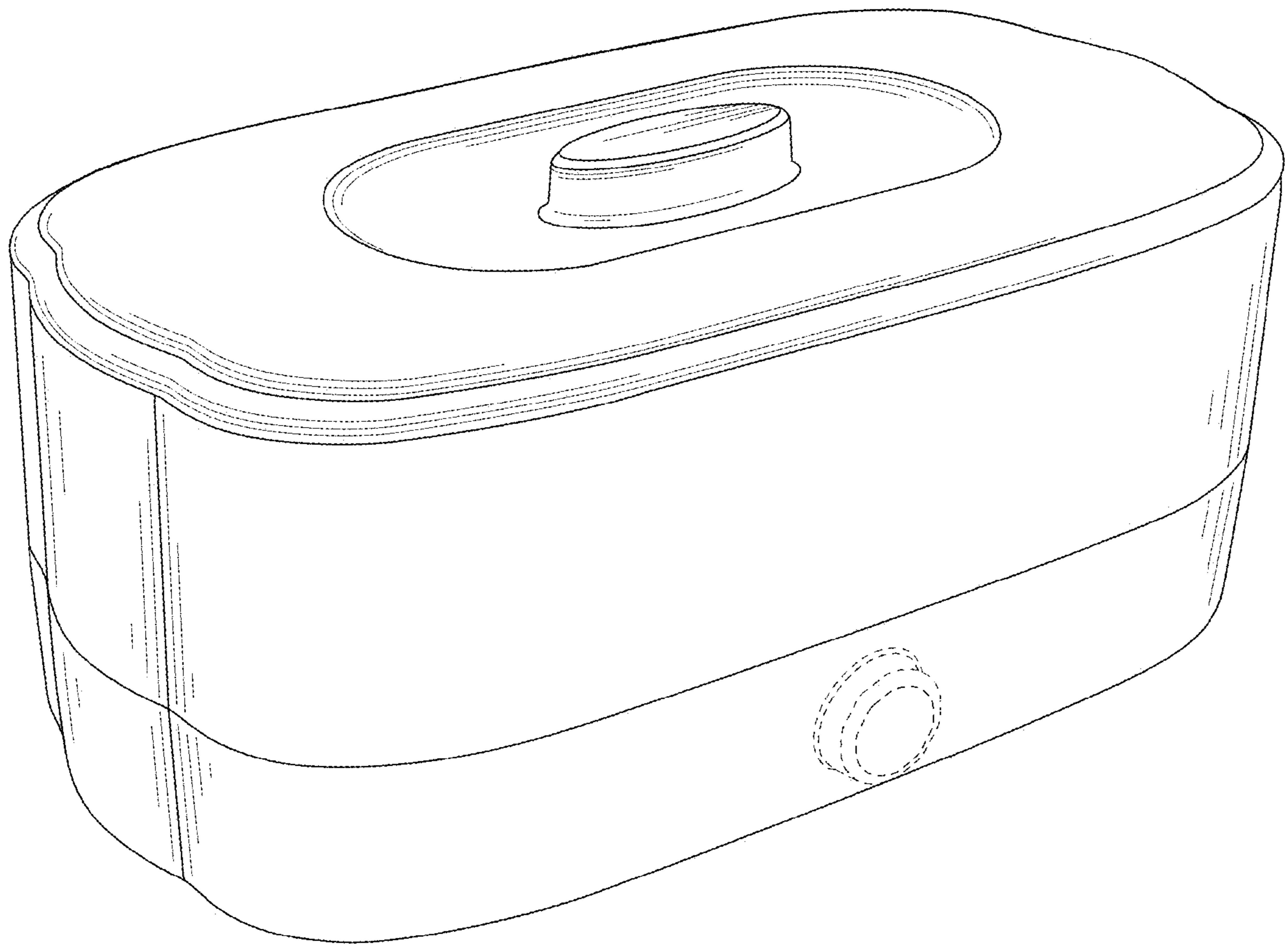


FIG. 1

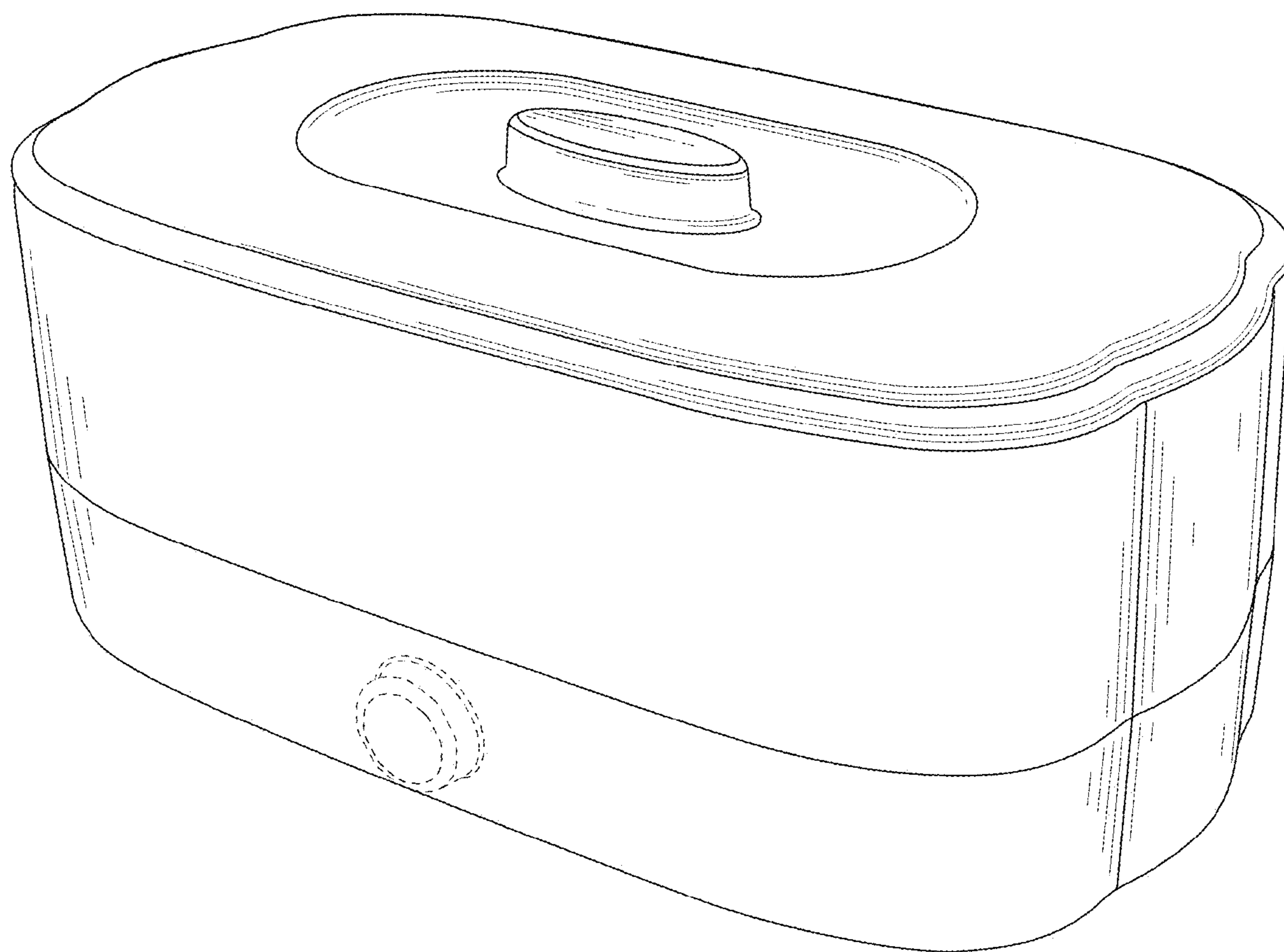


FIG. 2

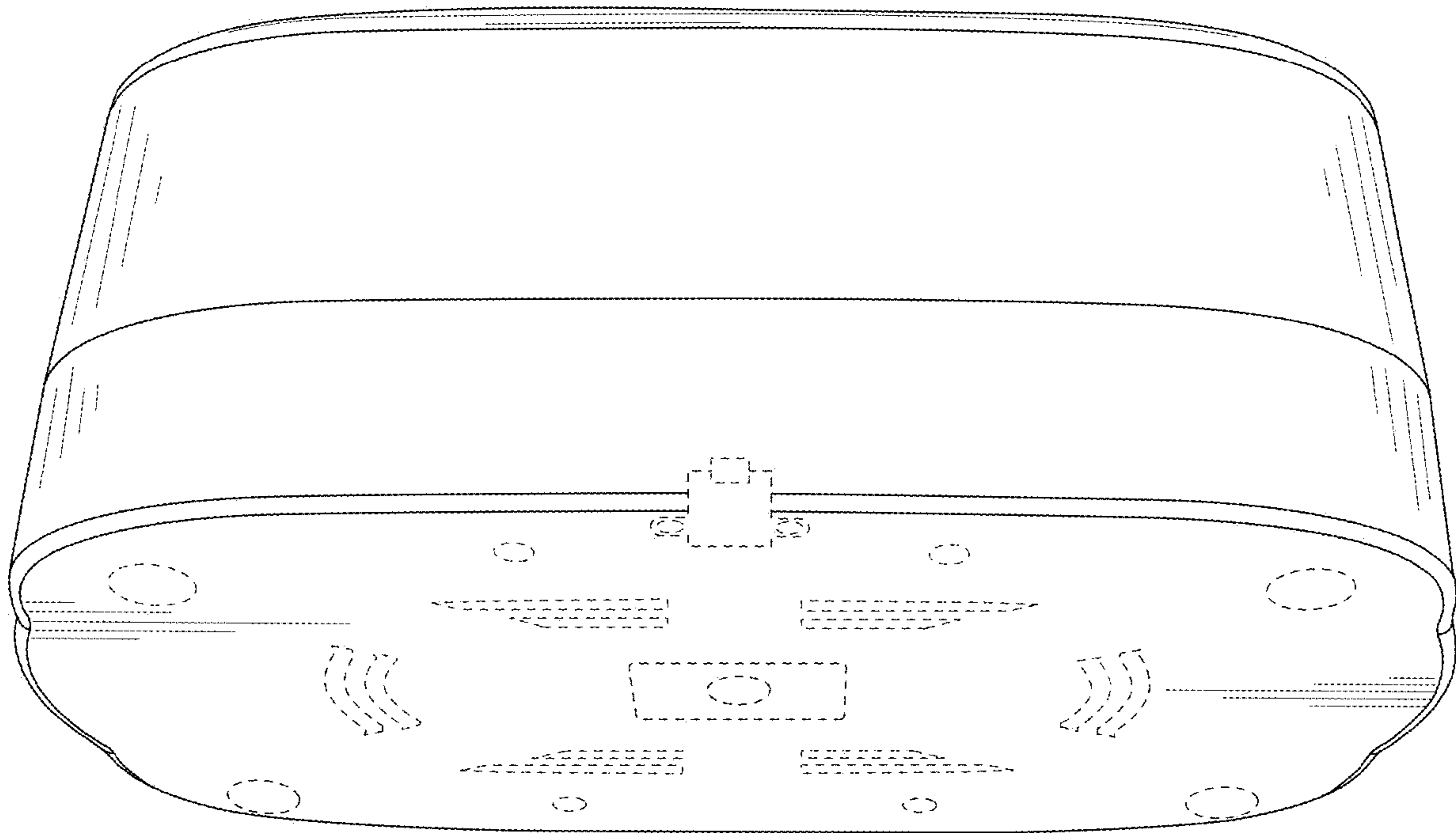


FIG. 3

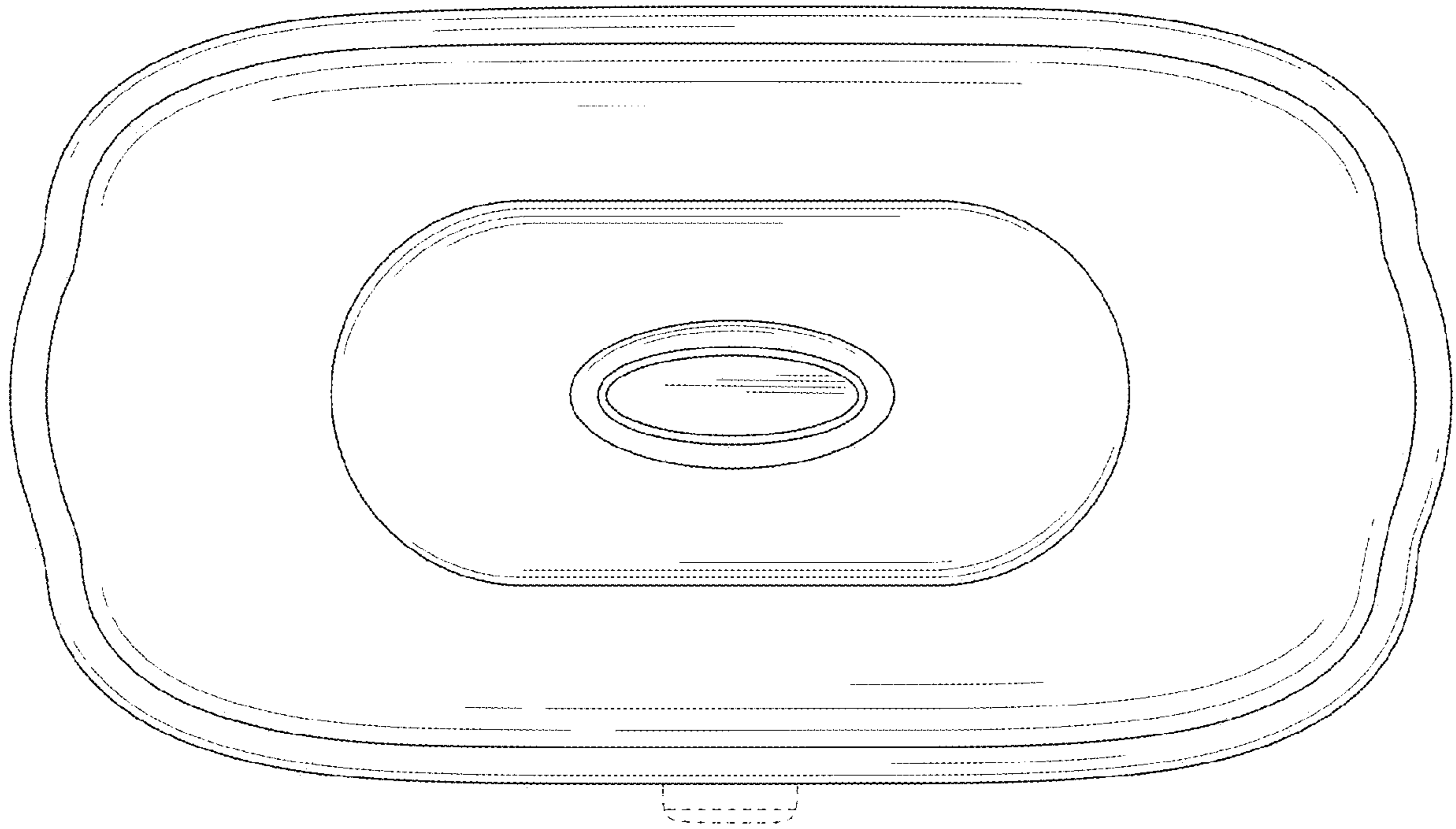


FIG. 4

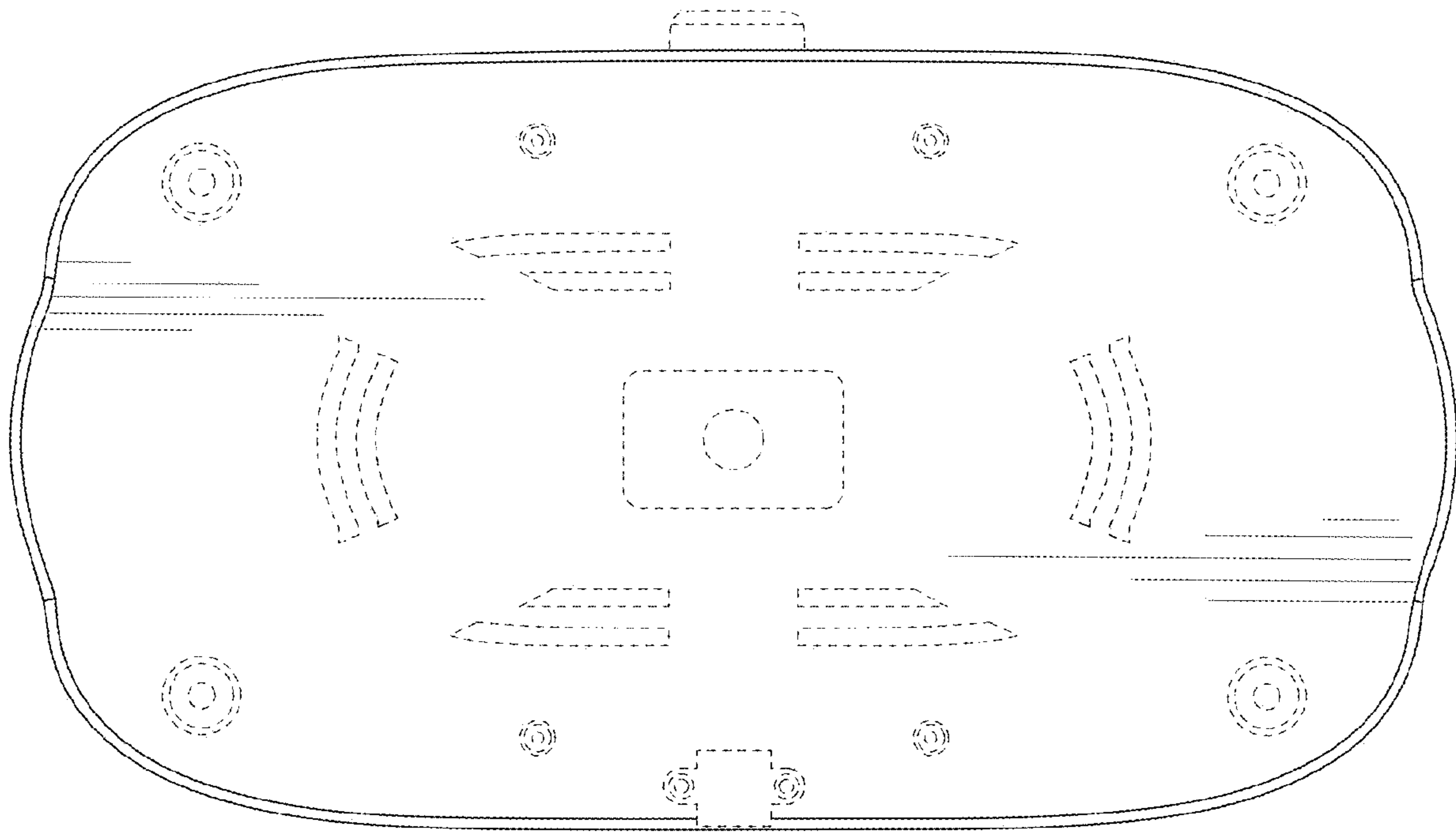


FIG. 5

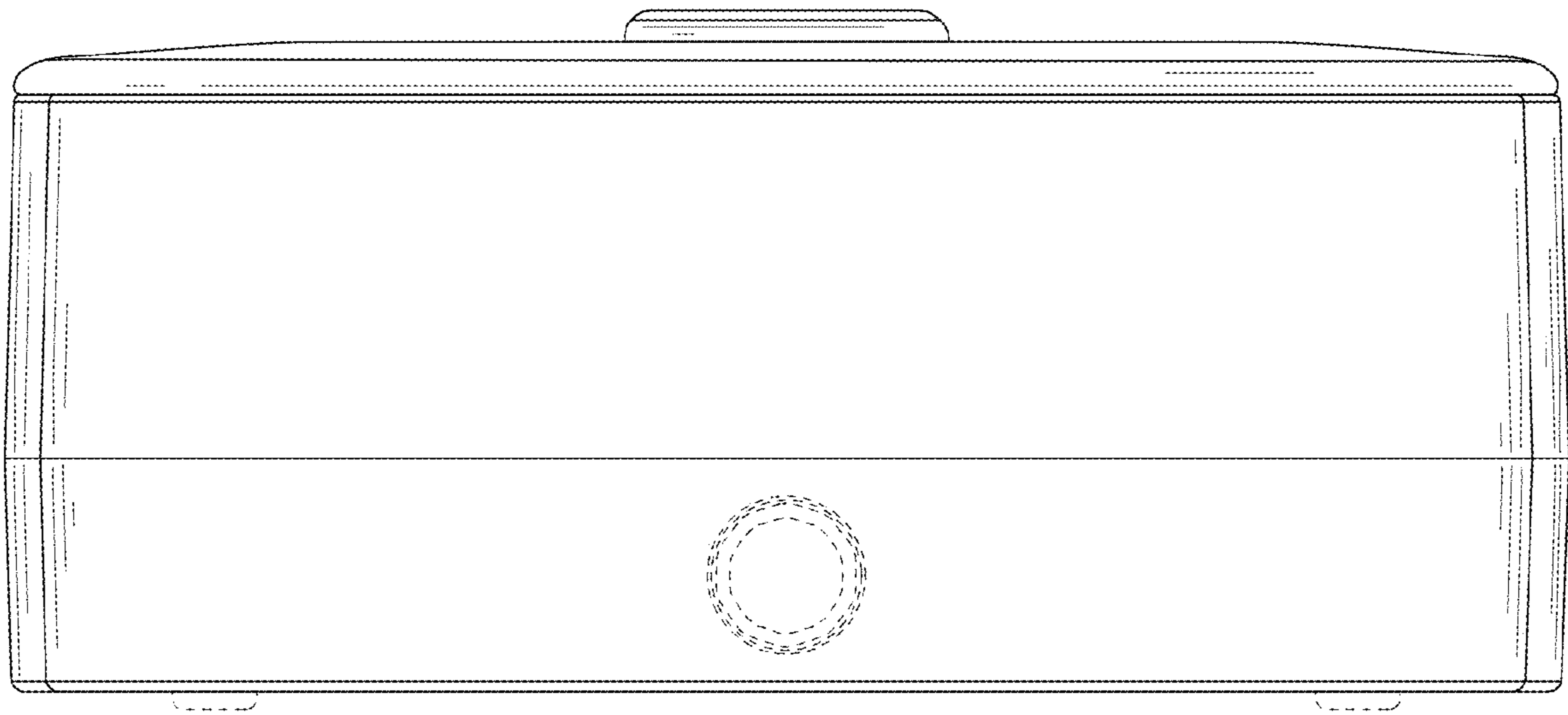


FIG. 6

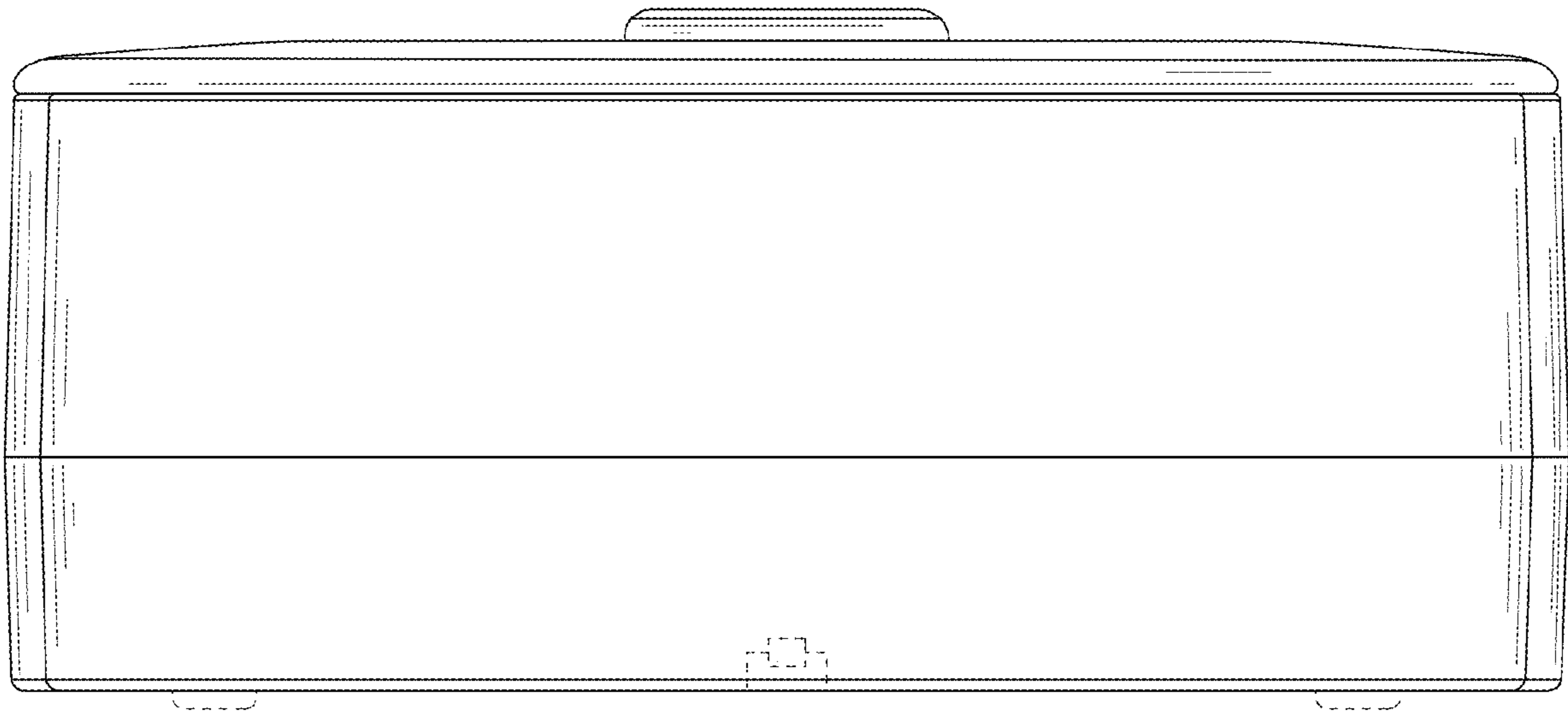


FIG. 7

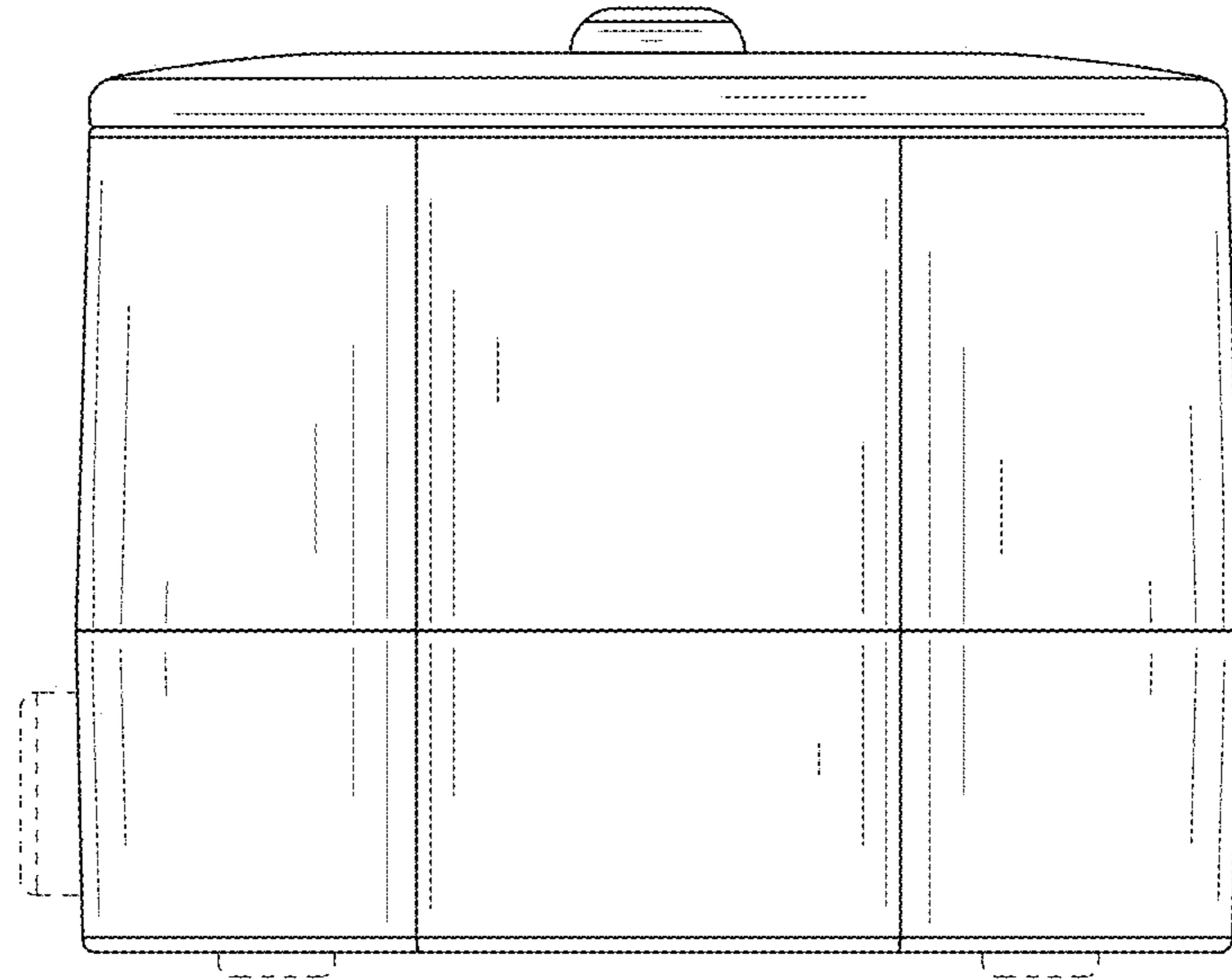


FIG. 8

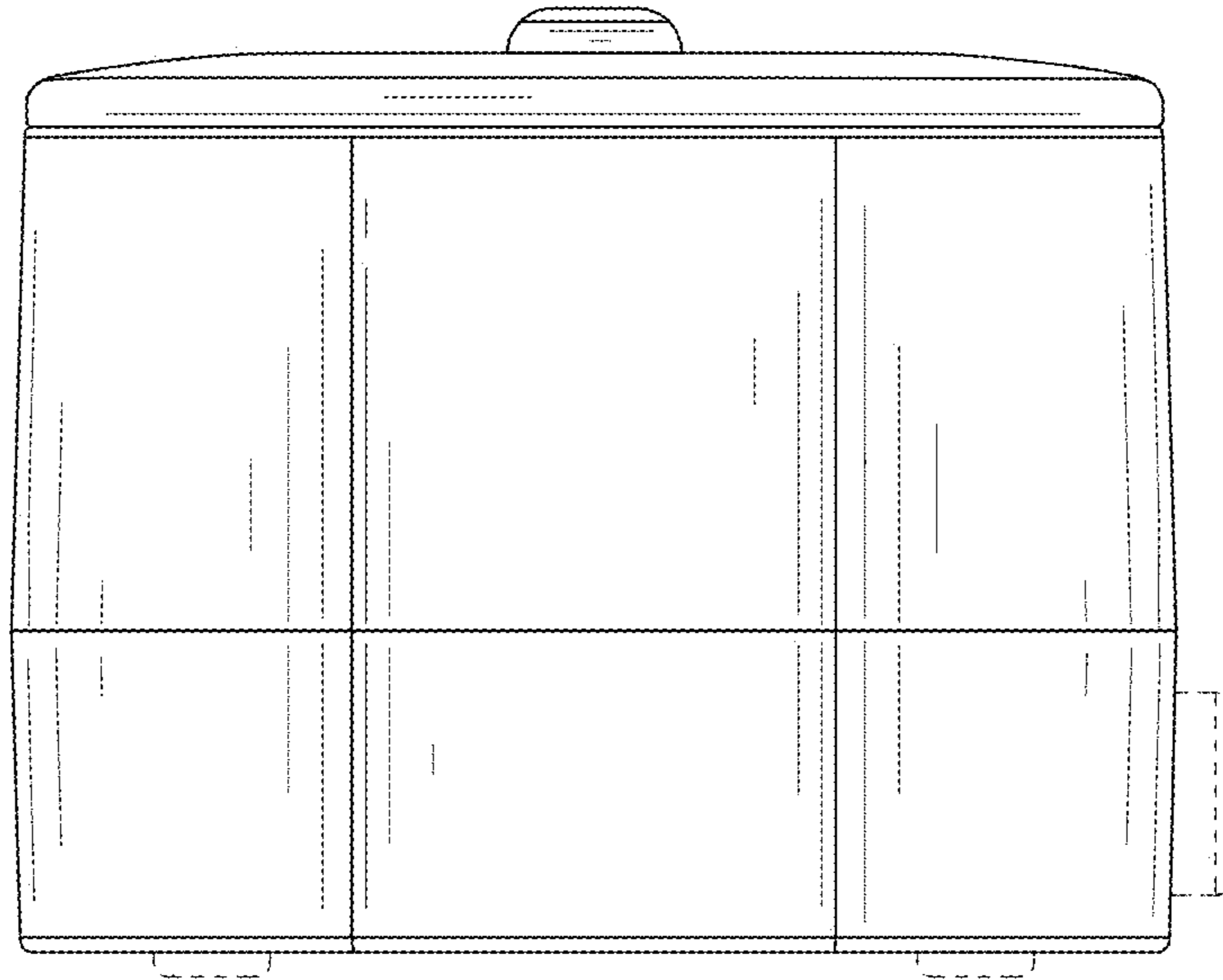


FIG. 9