



US00D966608S

(12) **United States Design Patent** (10) **Patent No.:** **US D966,608 S**  
**Yuan** (45) **Date of Patent:** **\*\* Oct. 11, 2022**

(54) **HAIR CURLER**

(71) Applicant: **Yufei Yuan**, Dongguan (CN)

(72) Inventor: **Yufei Yuan**, Dongguan (CN)

(\*\*) Term: **15 Years**

(21) Appl. No.: **29/773,465**

(22) Filed: **Mar. 9, 2021**

(30) **Foreign Application Priority Data**

Dec. 30, 2020 (CN) ..... 202030819626.1

(51) **LOC (13) Cl.** ..... **28-03**

(52) **U.S. Cl.**  
USPC ..... **D28/35**

(58) **Field of Classification Search**

USPC ..... D28/10, 13, 35  
CPC ... A45D 1/00; A45D 1/02; A45D 1/04; A45D 1/06; A45D 1/08; A45D 1/10; A45D 1/14; A45D 1/16; A45D 1/18; A45D 1/20; A45D 1/28; A45D 2001/004; A45D 2/00; A45D 2/001; A45D 2/002; A45D 2/02; A45D 2/12; A45D 2/36; A45D 4/00; A45D 4/02; A45D 4/04; A45D 4/06; A45D 4/08; A45D 6/00

See application file for complete search history.

(56) **References Cited**

**U.S. PATENT DOCUMENTS**

D729,450 S \* 5/2015 Van Maanen ..... D28/35  
D769,523 S \* 10/2016 Fan ..... D28/35

D804,725 S \* 12/2017 Yue ..... D28/35  
D816,270 S \* 4/2018 Yue ..... D28/35  
D816,900 S \* 5/2018 Di Marco ..... D28/35  
D816,901 S \* 5/2018 Di Marco ..... D28/35  
D835,843 S \* 12/2018 Fan ..... D28/35  
D870,967 S \* 12/2019 Huang ..... D28/35  
D905,334 S \* 12/2020 Hu ..... D28/35  
D932,100 S \* 9/2021 de Belizal ..... D28/35  
2011/0108052 A1 \* 5/2011 Morgandi ..... A45D 1/06  
132/230  
2022/0053903 A1 \* 2/2022 Chen ..... A45D 1/04

\* cited by examiner

*Primary Examiner* — Alison M Ofstun

(57) **CLAIM**

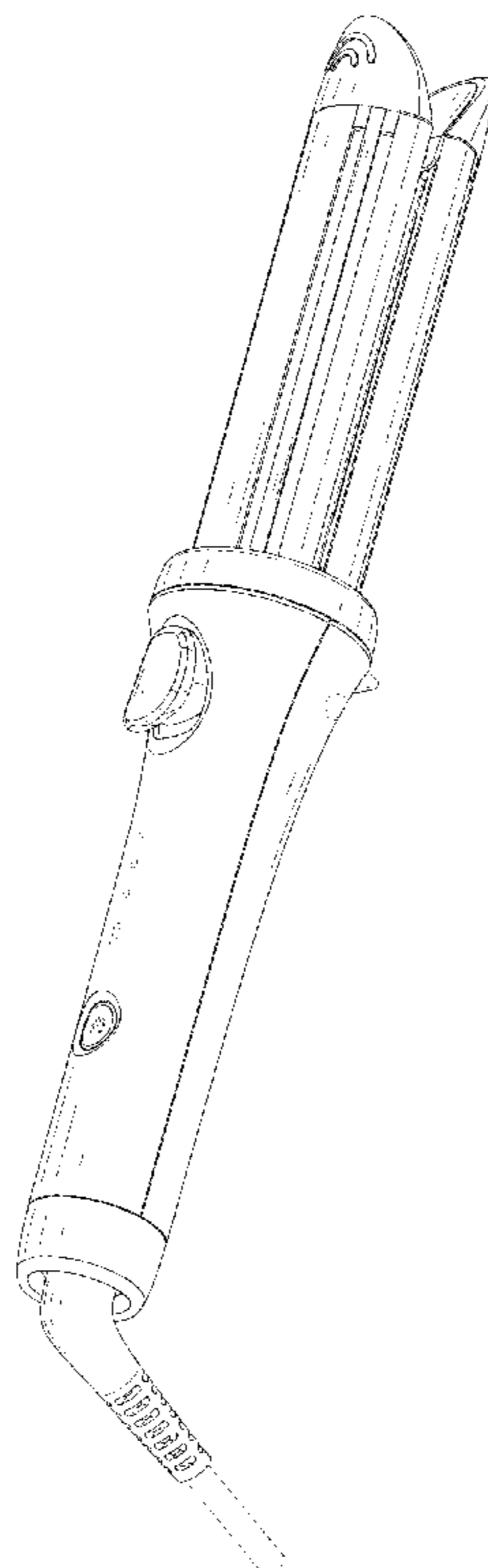
The ornamental design for a hair curler, as shown and described.

**DESCRIPTION**

FIG. 1 is a perspective view of a hair curler showing my new design;  
FIG. 2 is another perspective view thereof;  
FIG. 3 is a front elevational view thereof;  
FIG. 4 is a rear elevational view thereof;  
FIG. 5 is a left side elevational view thereof;  
FIG. 6 is a right side elevational view thereof;  
FIG. 7 is a top plan view thereof;  
FIG. 8 is a bottom plan view thereof; and,  
FIG. 9 is a perspective view thereof, shown in a position of use.

The broken lines in the drawings depict portions of the hair curler that form no part of the claimed design.

**1 Claim, 9 Drawing Sheets**



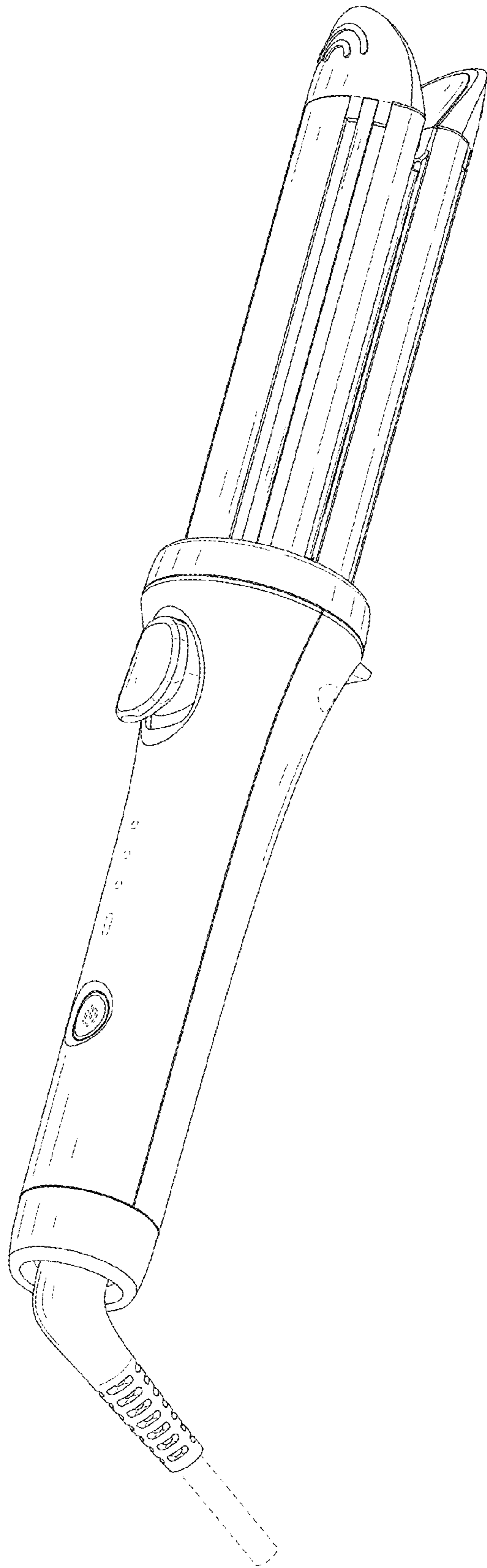


FIG. 1

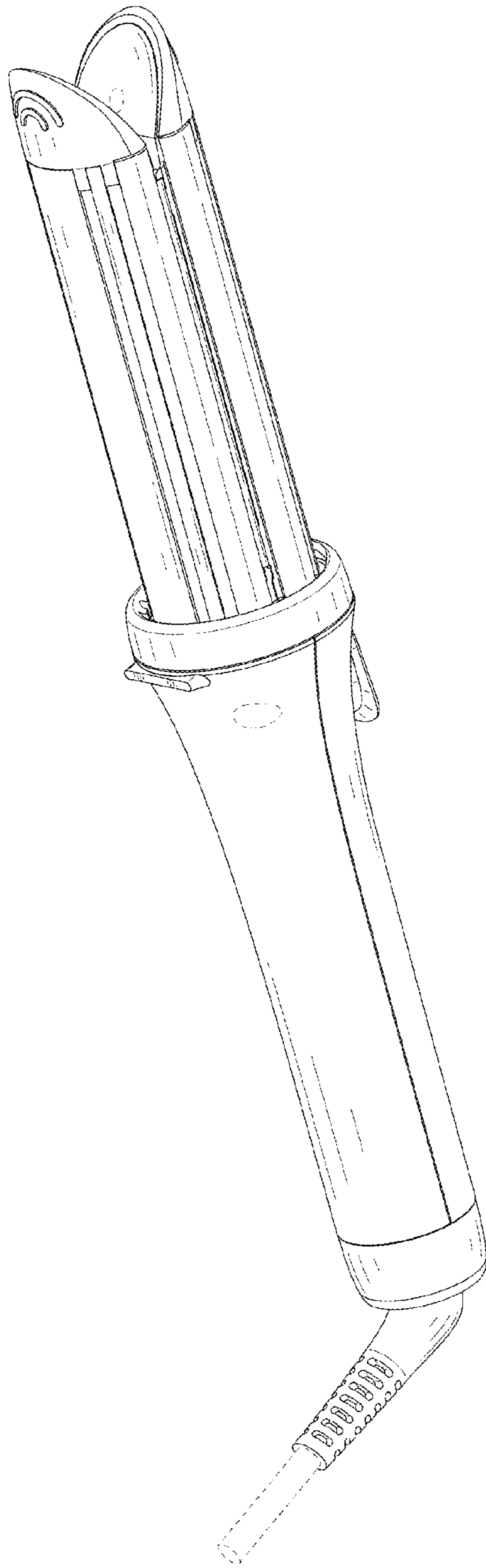


FIG. 2

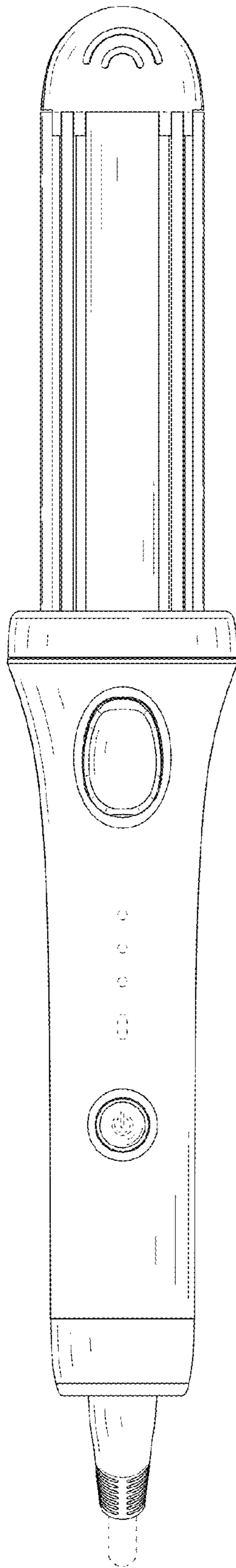


FIG. 3

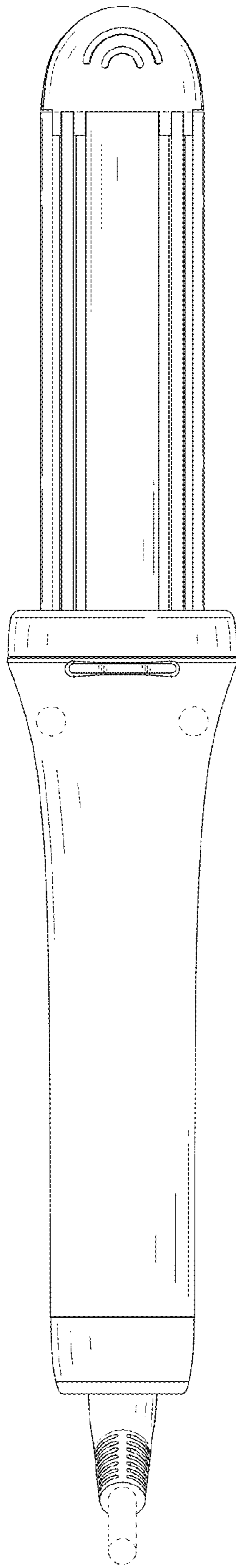


FIG. 4

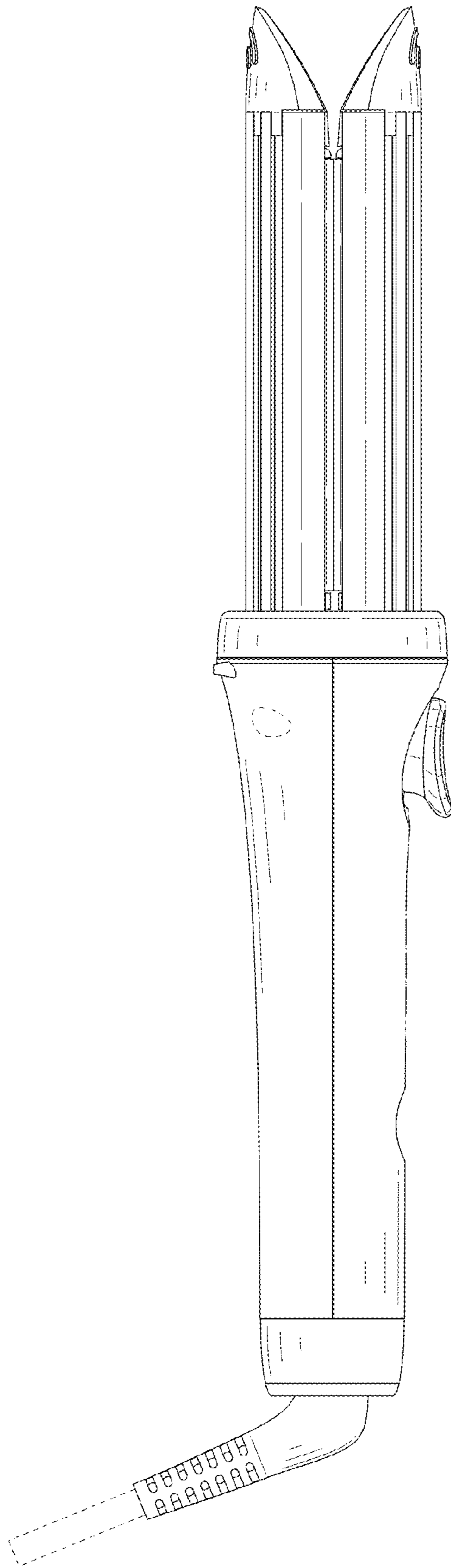


FIG. 5

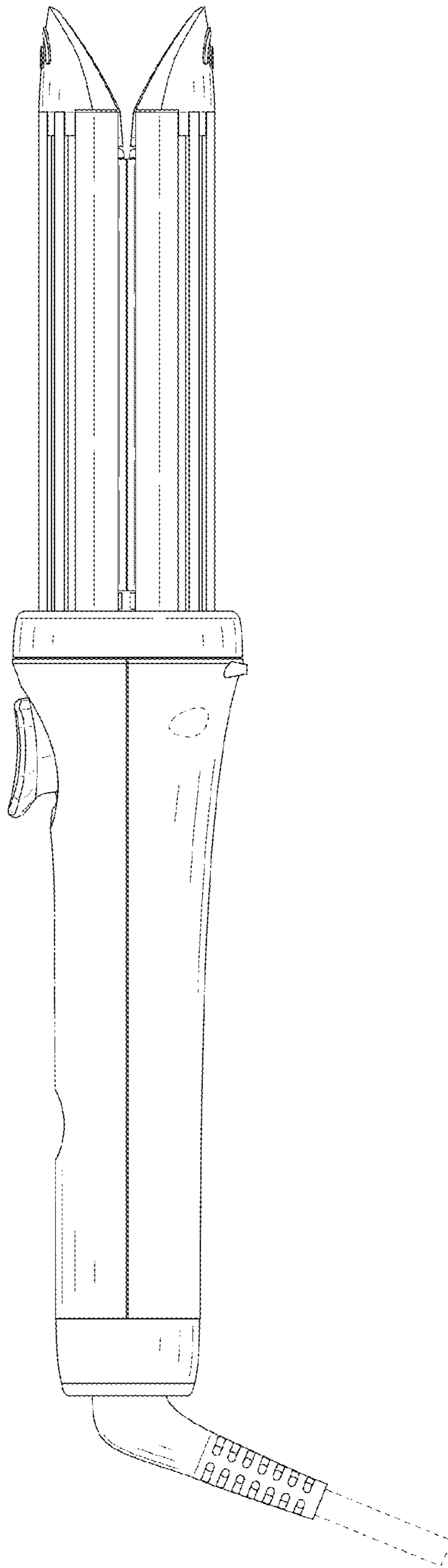


FIG. 6



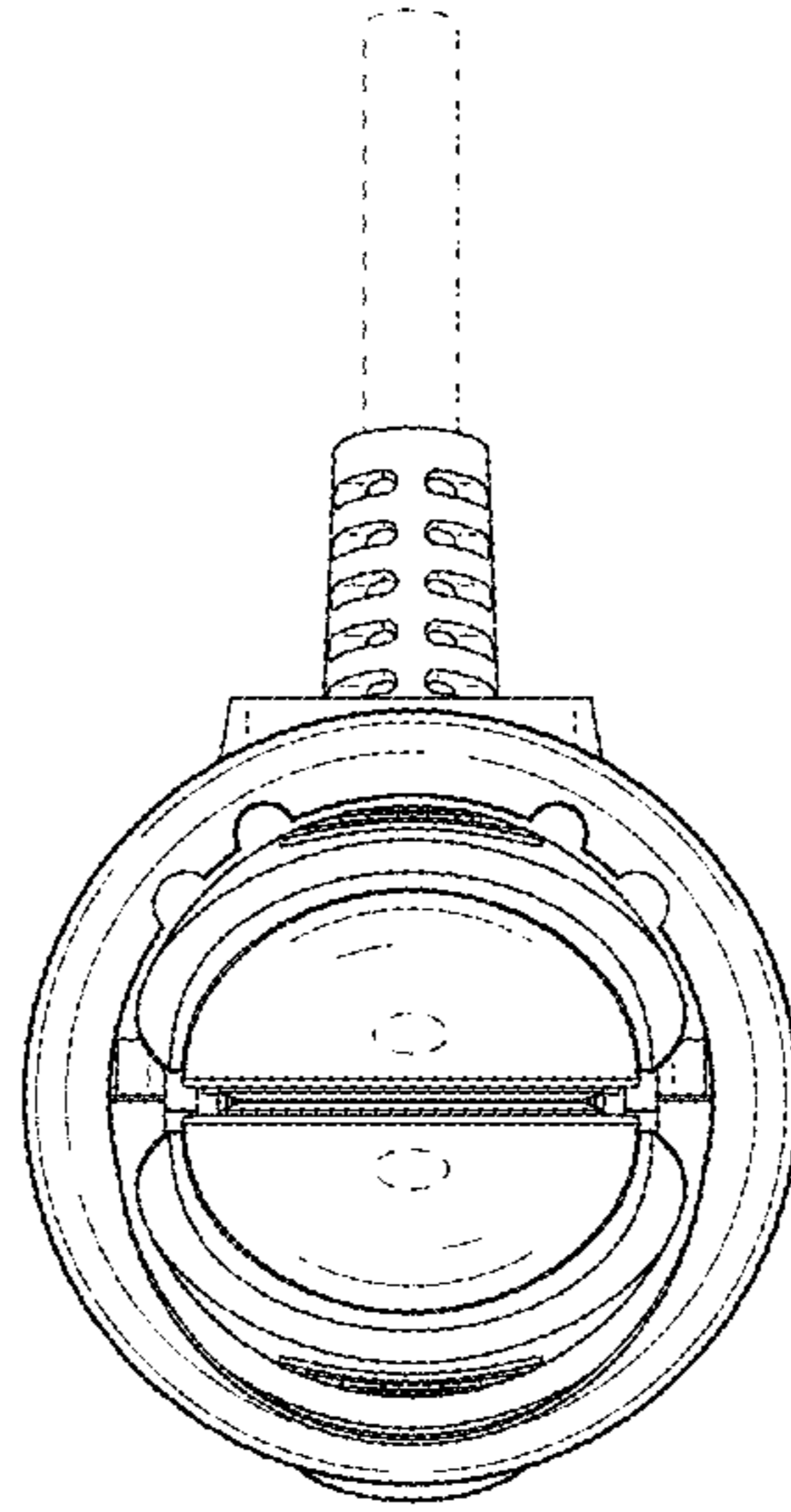


FIG. 7



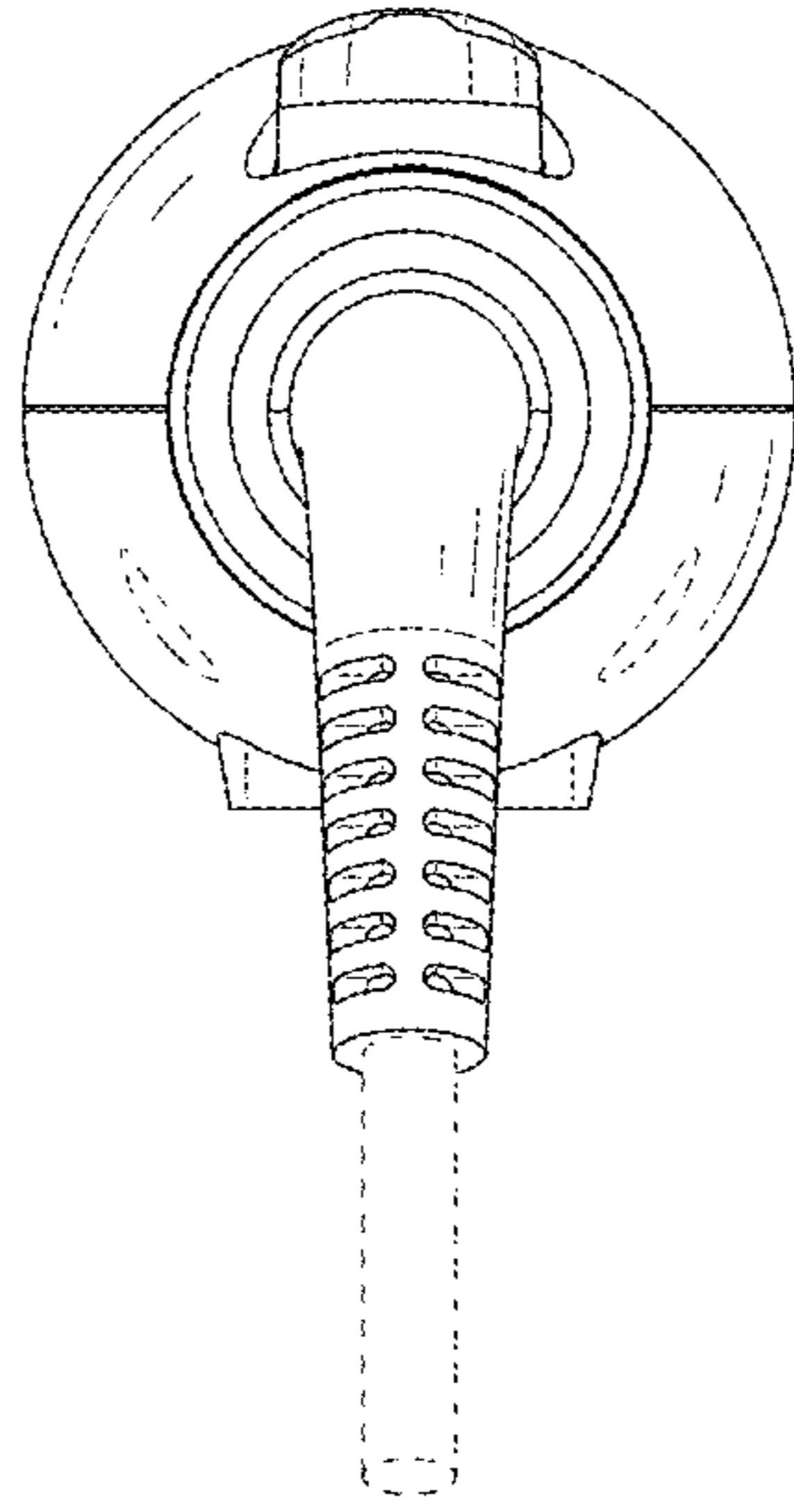


FIG. 8

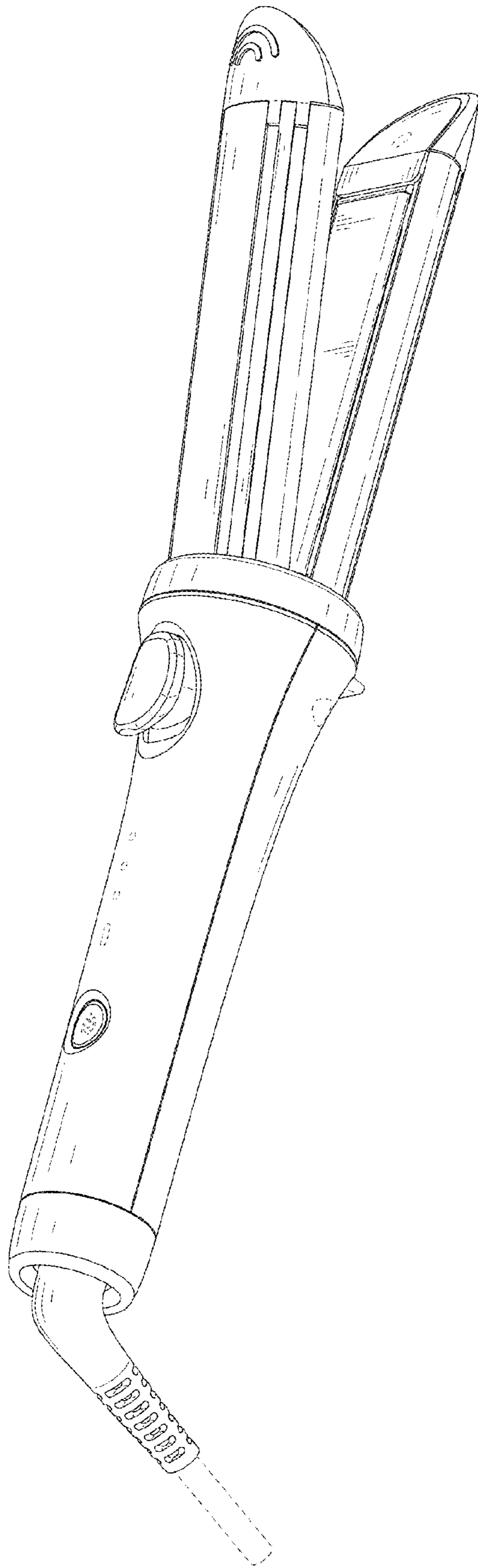


FIG. 9