



US00D966607S

(12) **United States Design Patent**
Chen et al.

(10) **Patent No.: US D966,607 S**
(45) **Date of Patent: ** Oct. 11, 2022**

(54) **CURLING IRON**
(71) Applicant: **Thumbs Up Innovations Technology Co., Ltd., Zhuhai (CN)**
(72) Inventors: **Li Chen, Zhuhai (CN); Yubin Li, Zhuhai (CN); Yuqiang Zhao, Zhuhai (CN); Xiu Zou, Zhuhai (CN); Zhidong Wang, Zhuhai (CN); Zhihui Yang, Zhuhai (CN); Rongjin Zheng, Zhuhai (CN); Jiacheng Huang, Zhuhai (CN); Fenfen Shi, Zhuhai (CN)**

4,533,819 A * 8/1985 Valiulis A45D 1/04
132/118
D313,870 S * 1/1991 Mastromonaco D28/35
D341,906 S * 11/1993 Hall-Bembry D28/35
5,832,939 A * 11/1998 Nathe A45D 1/06
132/229
D425,246 S * 5/2000 Griffin D28/35
D425,247 S * 5/2000 Griffin D28/35
D426,024 S * 5/2000 Griffin D28/35
D570,542 S * 6/2008 Leung D28/35

(Continued)

FOREIGN PATENT DOCUMENTS

CN 201830261301 * 10/2018

OTHER PUBLICATIONS

Wavytalk Professional Hair Crimper, first available on Nov. 24, 2021 on amazon.com, retrieved on Jul. 1, 2022, retrieved from: https://www.amazon.com/Wavytalk-Professional-Crimper-Curling-Barrel/dp/B09MH4FW2N/ref=sr_1_31_sspa?crd=3T398UW2W7N0X&keywords=hair+waver&qid=1656688900&s=beauty&sprefix=hair+waver%2Cbeauty%2C1.*

Primary Examiner — Alison M Ofstun
(74) *Attorney, Agent, or Firm* — ScienBiziP, P.C.

(57) **CLAIM**

The ornamental design for a curling iron, as shown and described.

DESCRIPTION

FIG. 1 is a top perspective view of a curling iron showing our new design;
FIG. 2 is a front elevation view thereof.
FIG. 3 is a rear elevation view thereof.
FIG. 4 is a left side elevation thereof.
FIG. 5 is a right side elevation thereof.
FIG. 6 is a top plan view thereof; and,
FIG. 7 is a bottom plan view thereof.
The broken lines in the drawings illustrate portions of the curling iron and form no part of the claimed design.

1 Claim, 6 Drawing Sheets

(73) Assignee: **Thumbs Up Innovations Technology Co., Ltd., Zhuhai (CN)**

(**) Term: **15 Years**

(21) Appl. No.: **29/758,668**

(22) Filed: **Nov. 17, 2020**

(30) **Foreign Application Priority Data**

Jul. 31, 2020 (CN) 202030426627.X

(51) **LOC (13) Cl.** **28-03**

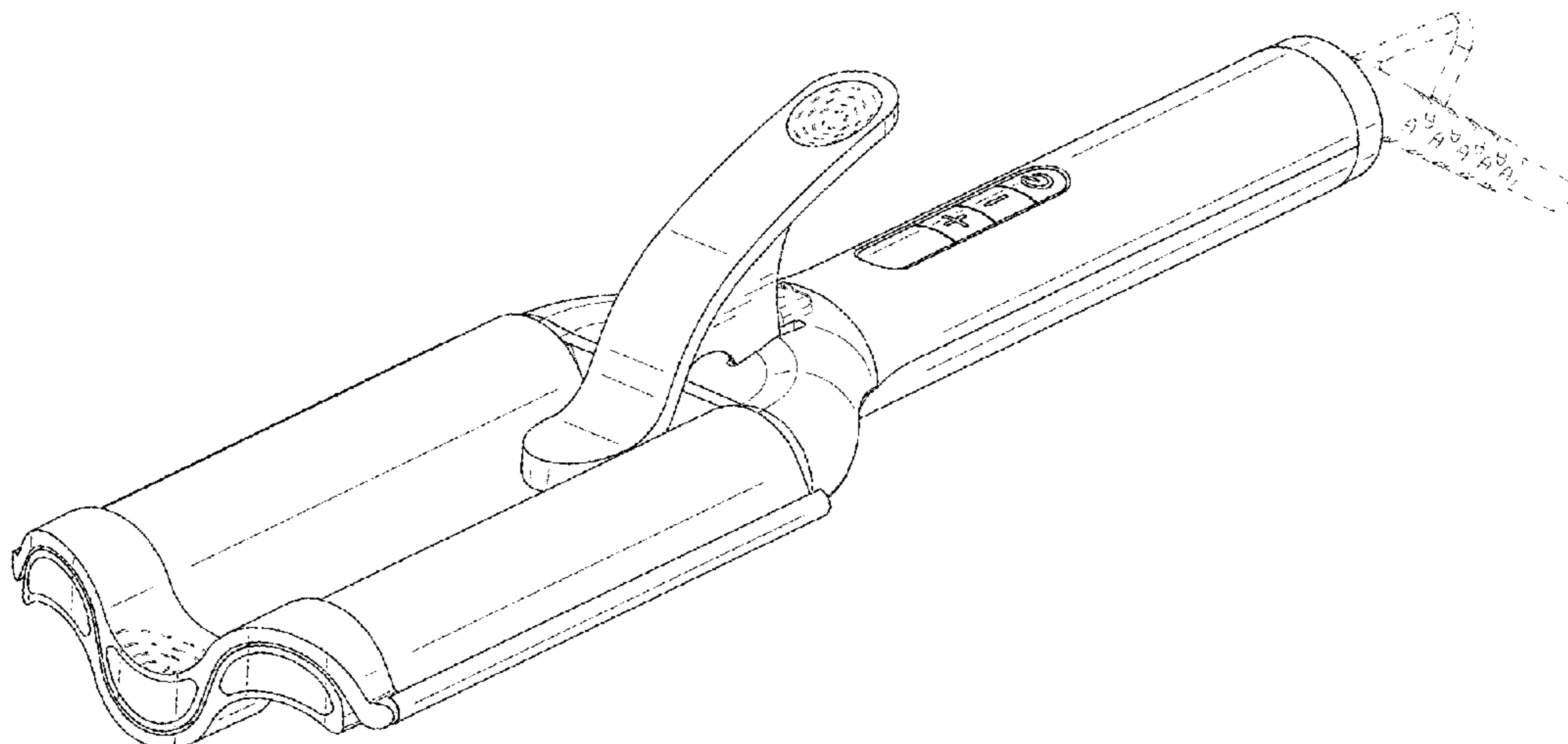
(52) **U.S. Cl.**
USPC **D28/35**

(58) **Field of Classification Search**
USPC D28/9-11, 35, 99
CPC ... A45D 1/00; A45D 1/04; A45D 1/06; A45D 1/10; A45D 1/14; A45D 2/00; A45D 2/02; A45D 2/12; A45D 6/00
See application file for complete search history.

(56) **References Cited**

U.S. PATENT DOCUMENTS

1,591,207 A * 7/1926 Berthelsen A45D 1/04
219/225
4,151,850 A * 5/1979 Nathe A45D 1/06
219/225
4,243,061 A * 1/1981 Buchanan A45D 1/06
132/129



(56)

References Cited

U.S. PATENT DOCUMENTS

| | | | |
|-------------------|--------|--------------|----------------------|
| 7,987,859 B2 * | 8/2011 | Cafaro | A45D 1/04 132/224 |
| 2008/0216856 A1 * | 9/2008 | Cafaro | A45D 1/04 132/211 |

* cited by examiner

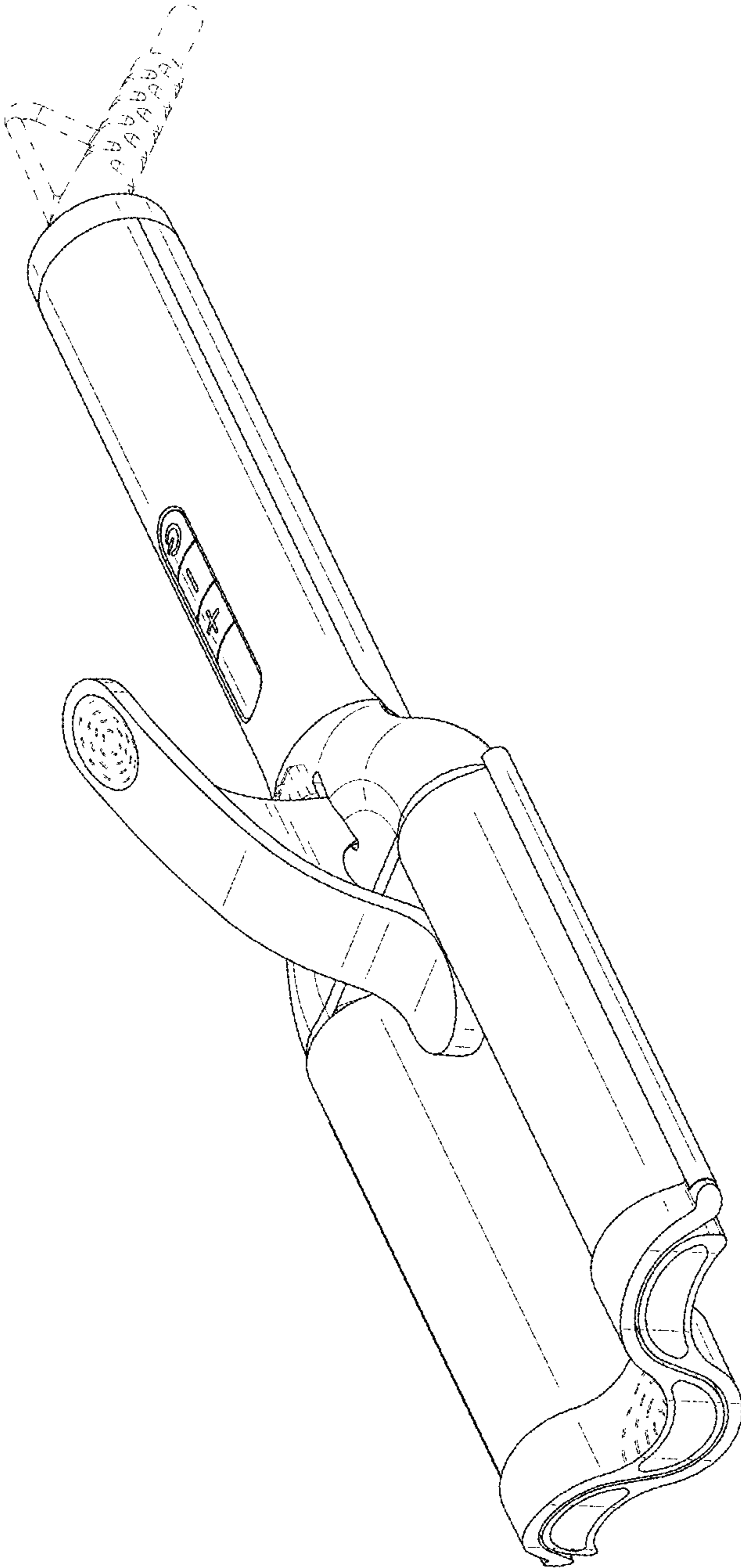


FIG.1

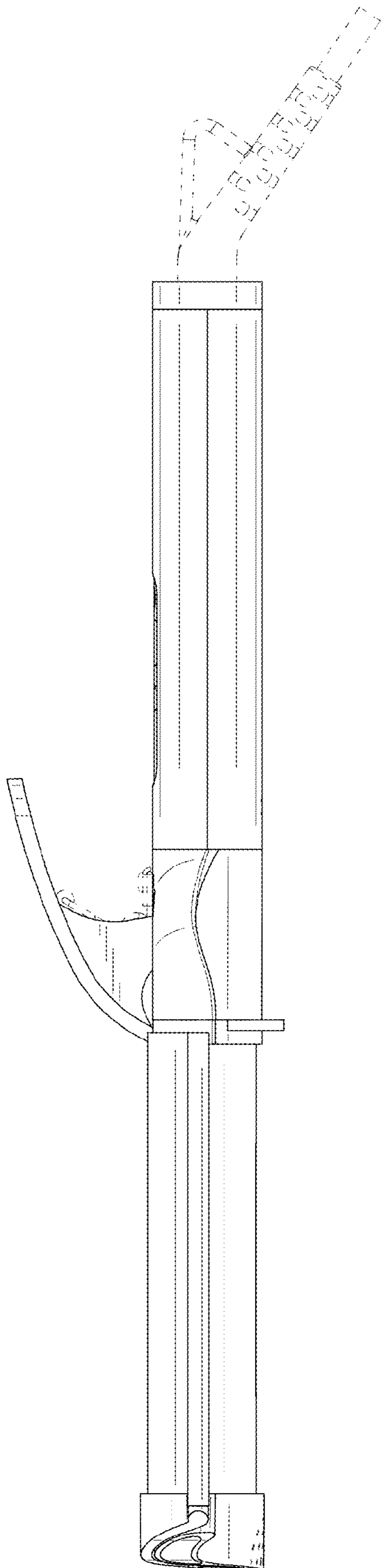


FIG. 2

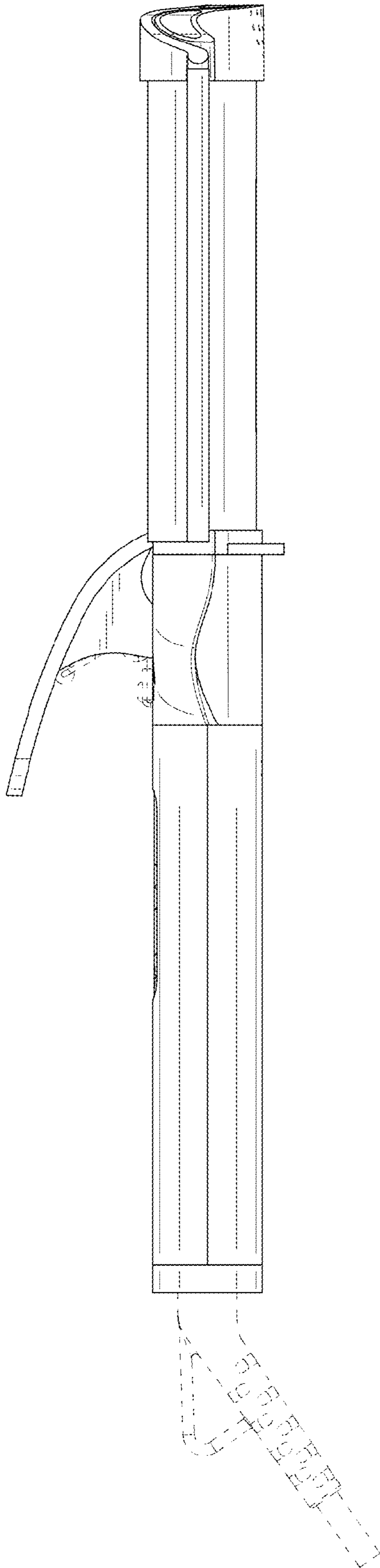


FIG. 3

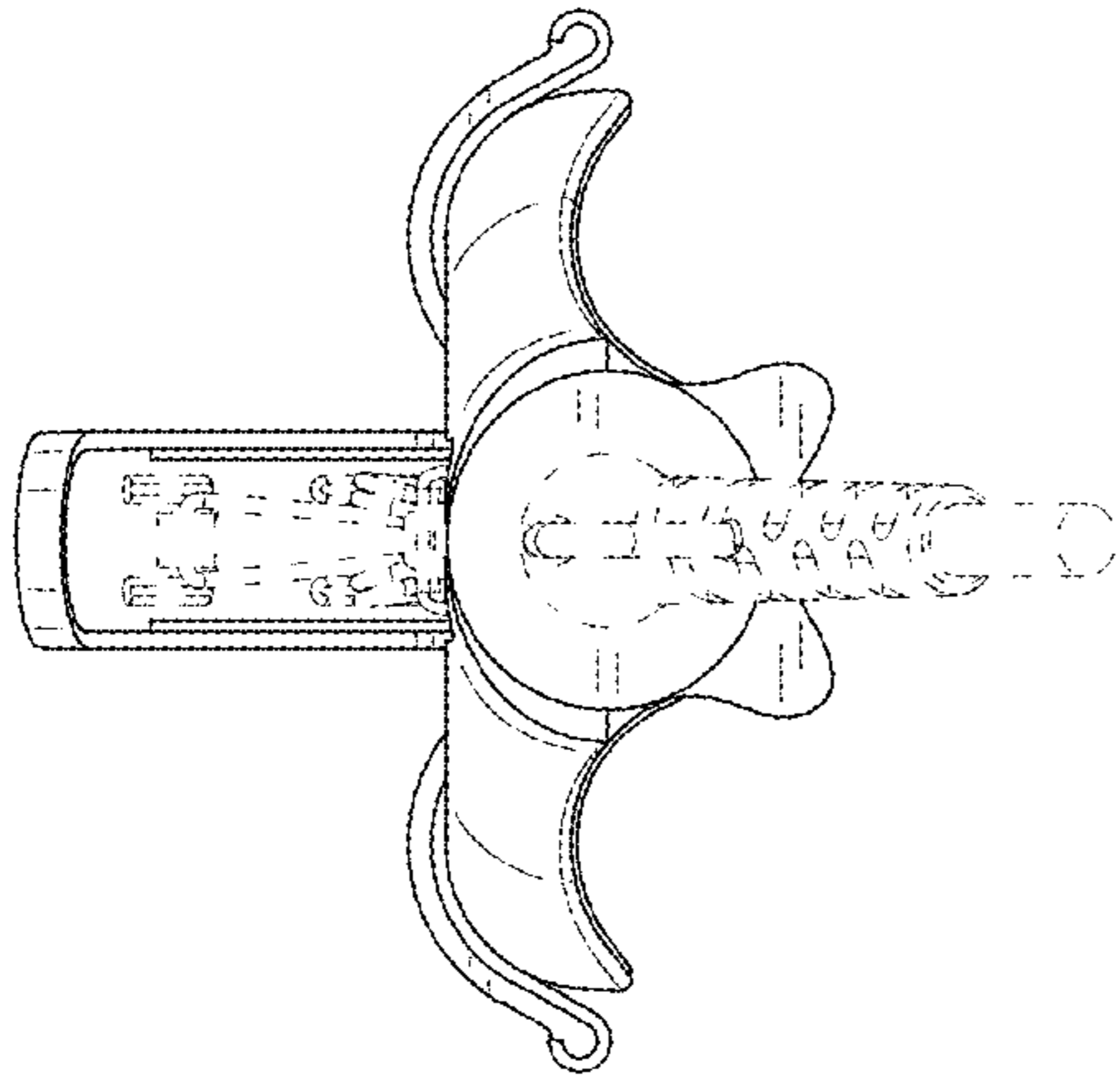


FIG. 5

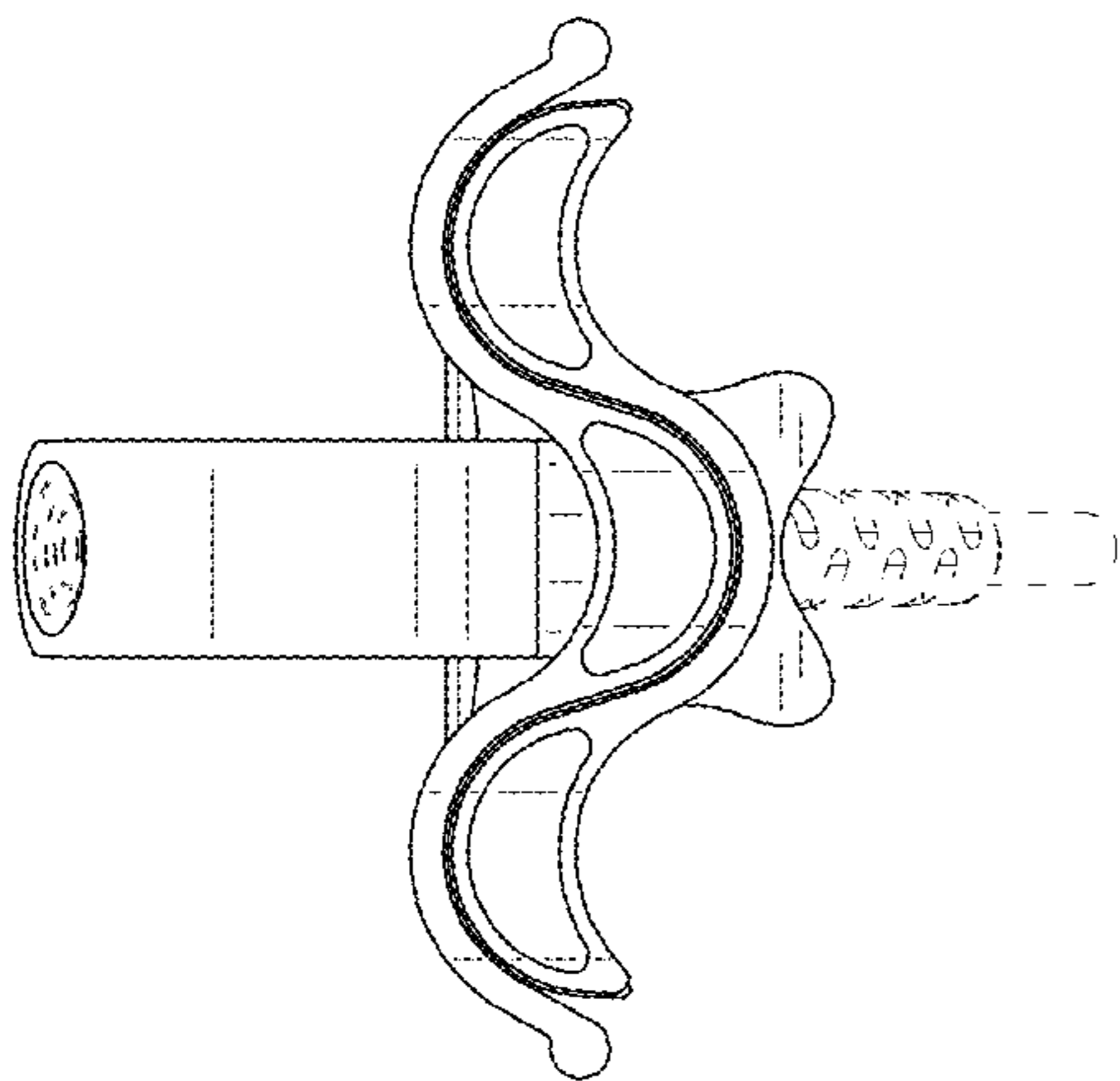


FIG. 4

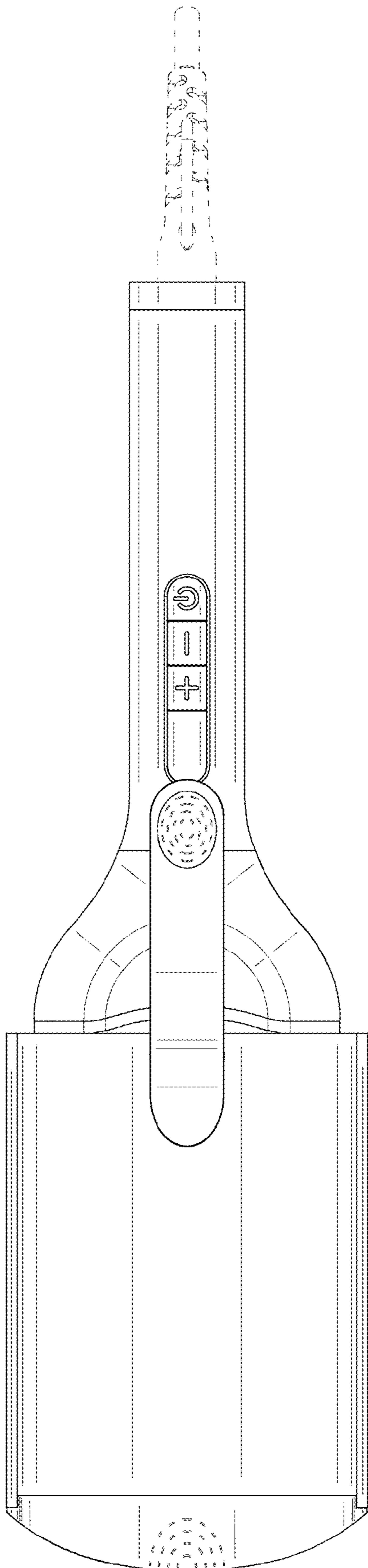


FIG.6

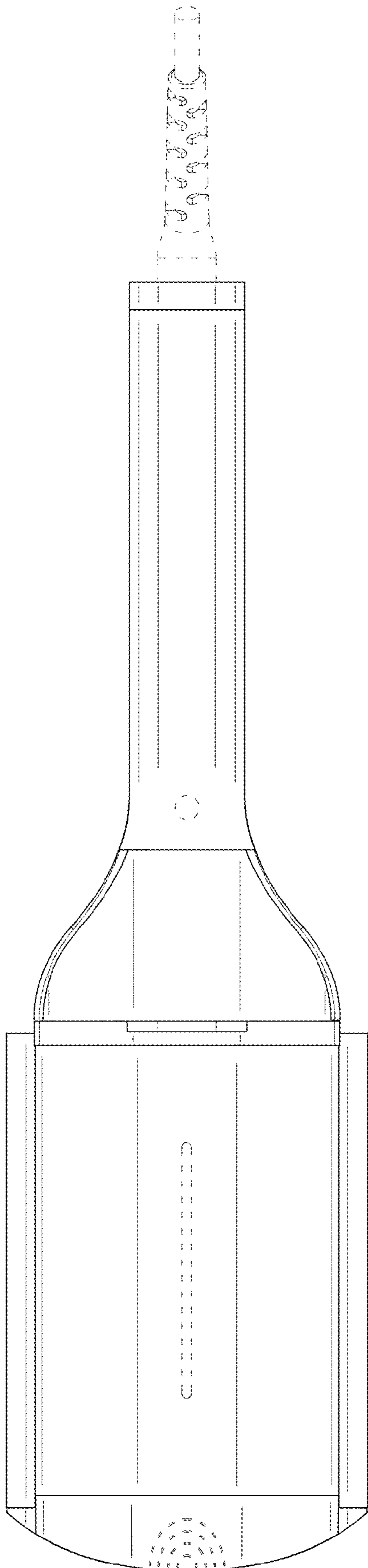


FIG. 7