



US00D966606S

(12) **United States Design Patent** (10) **Patent No.:** **US D966,606 S**
Zhang et al. (45) **Date of Patent:** **** Oct. 11, 2022**

(54) **HAIR DRYER**

(71) Applicant: **WAHL CLIPPER CORPORATION**,
Sterling, IL (US)

(72) Inventors: **Hao Zhang**, Zhejiang (CN); **Wuhu Li**,
Zhejiang (CN); **Qing Wang**, Zhejiang
(CN)

(73) Assignee: **WAHL CLIPPER CORPORATION**,
Sterling, IL (US)

(**) Term: **15 Years**

(21) Appl. No.: **35/001,946**

(22) Filed: **Oct. 7, 2020**

(80) **Hague Agreement Data**

Int. Filing Date: **Oct. 7, 2020**

Int. Reg. No.: **DM/212669**

Int. Reg. Date: **Oct. 7, 2020**

Int. Reg. Pub. Date: **Feb. 19, 2021**

(30) **Foreign Application Priority Data**

Apr. 8, 2020 (CN) 202030134469.0

(51) **LOC (13) Cl.** **28-03**

(52) **U.S. Cl.**
USPC **D28/13**

(58) **Field of Classification Search**

USPC D28/10, 13, 35, 37, 38; D9/503, 529,
D9/556, 682, 686, 687, 689, 693, 674,
D9/727, 745

CPC A45D 34/04; A45D 40/04; A45D 44/005;
A45D 2034/005; A45D 2044/007; A45D
2200/155; A45D 40/26; A45D 40/265;
A45D 2200/25; A45D 34/041; A45D
40/06; A45D 40/065; A45D 40/24; A45D
2040/0012; A45D 2040/0025; A45D
2040/0062; A45D 2200/05; A45D 29/00;
A45D 34/045; A45D 34/046; A45D
40/00; A45D 40/262; A45D 44/00; A45D

2029/008; A45D 2034/002; A45D
2040/0006; A45D 2040/208; A45D
2200/051; A45D 2200/053; A45D
2200/055; A45D 2200/057; A45D
2200/10; A45D 2200/1054; A45D
2200/15; A45D 2200/20; A45D 2200/202;
A45D 2200/205; A45D 29/007; A45D
29/06; A45D 29/14; A45D 29/20; A45D
29/22; A45D 33/00; A45D 33/006; A45D
33/02; A45D 33/18; A45D 33/24; A45D
34/00; A45D 34/042; A45D 40/0068;
A45D 40/023; A45D 40/267; A45D
40/28; A45D 44/002

See application file for complete search history.

(56) **References Cited**

U.S. PATENT DOCUMENTS

D248,048 S * 5/1978 Cousins D28/13
4,132,360 A * 1/1979 Lee, Jr. A45D 20/124
239/383

D257,492 S * 11/1980 Cousins D28/13
(Continued)

Primary Examiner — Khawaja Anwar

(74) *Attorney, Agent, or Firm* — Greer, Bums & Crain,
Ltd

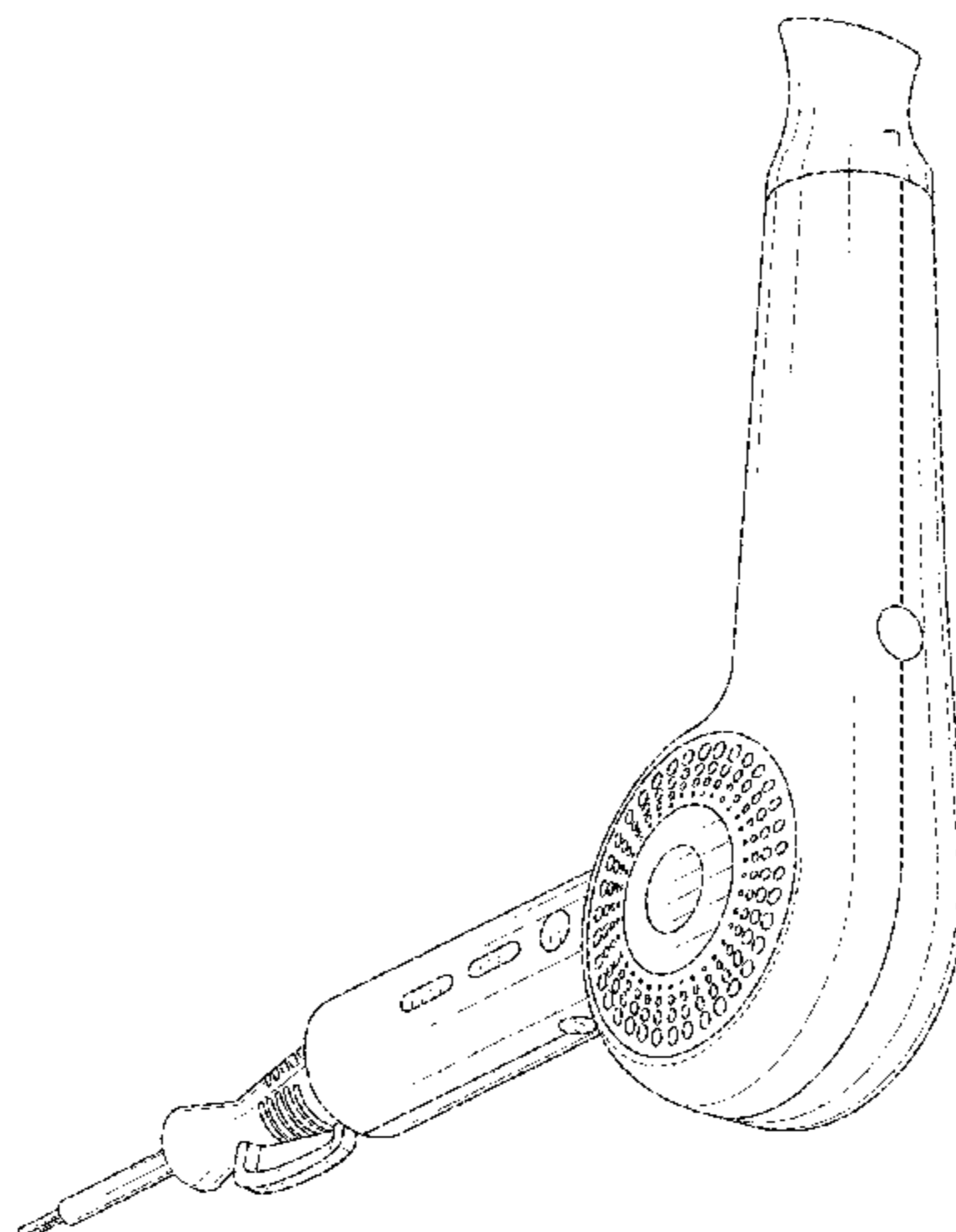
(57) **CLAIM**

The ornamental design for a hair dryer, as shown and
described.

DESCRIPTION

- 1. Hair dryer
- 1.1 : Left
- 1.2 : Right
- 1.3 : Top
- 1.4 : Bottom
- 1.5 : Back
- 1.6 : Front
- 1.7 : Perspective

(Continued)



The design consists of the features of shape and configuration of a hair dryer as shown in solid lines in the drawings.

1 Claim, 7 Drawing Sheets

(56)

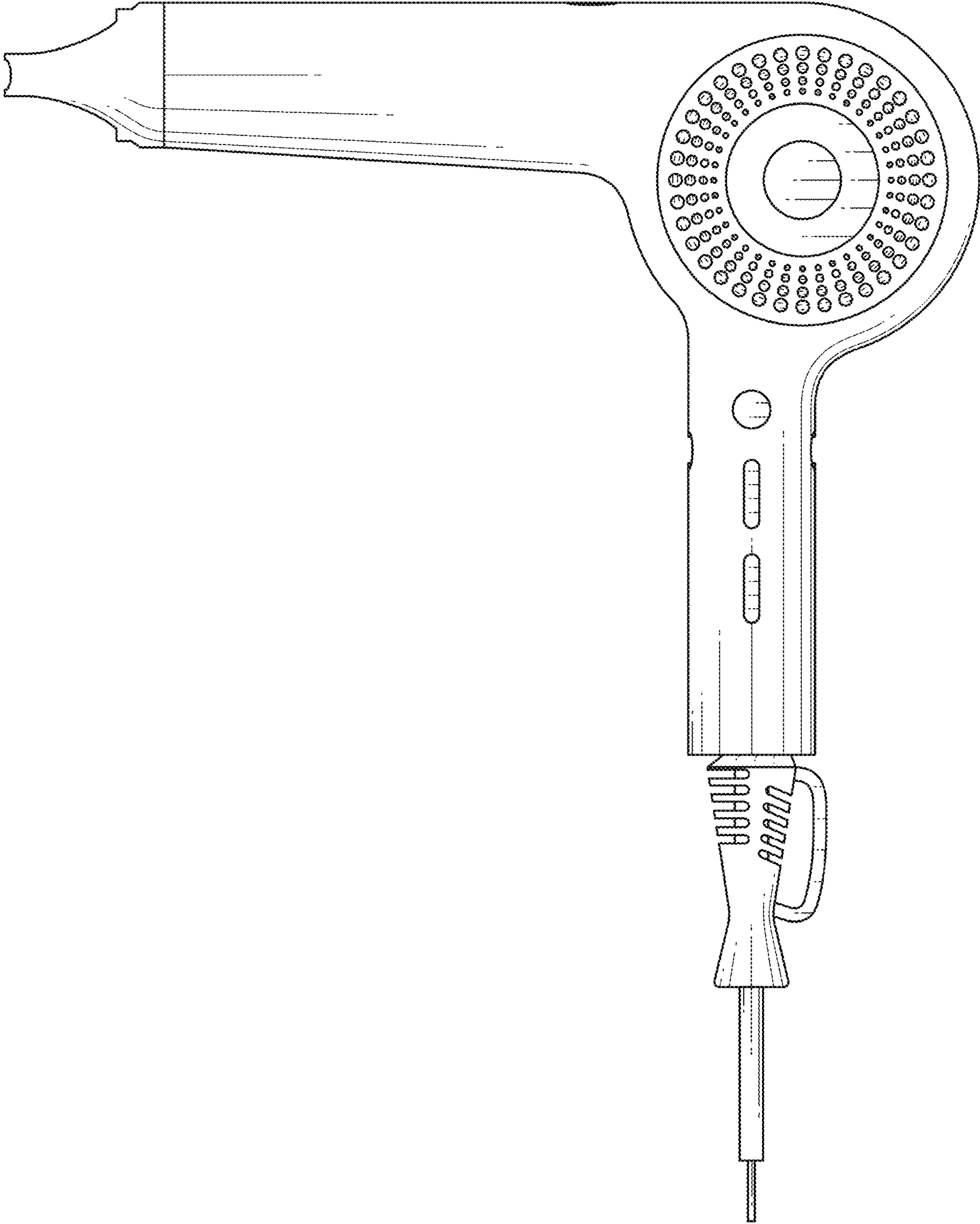
References Cited

U.S. PATENT DOCUMENTS

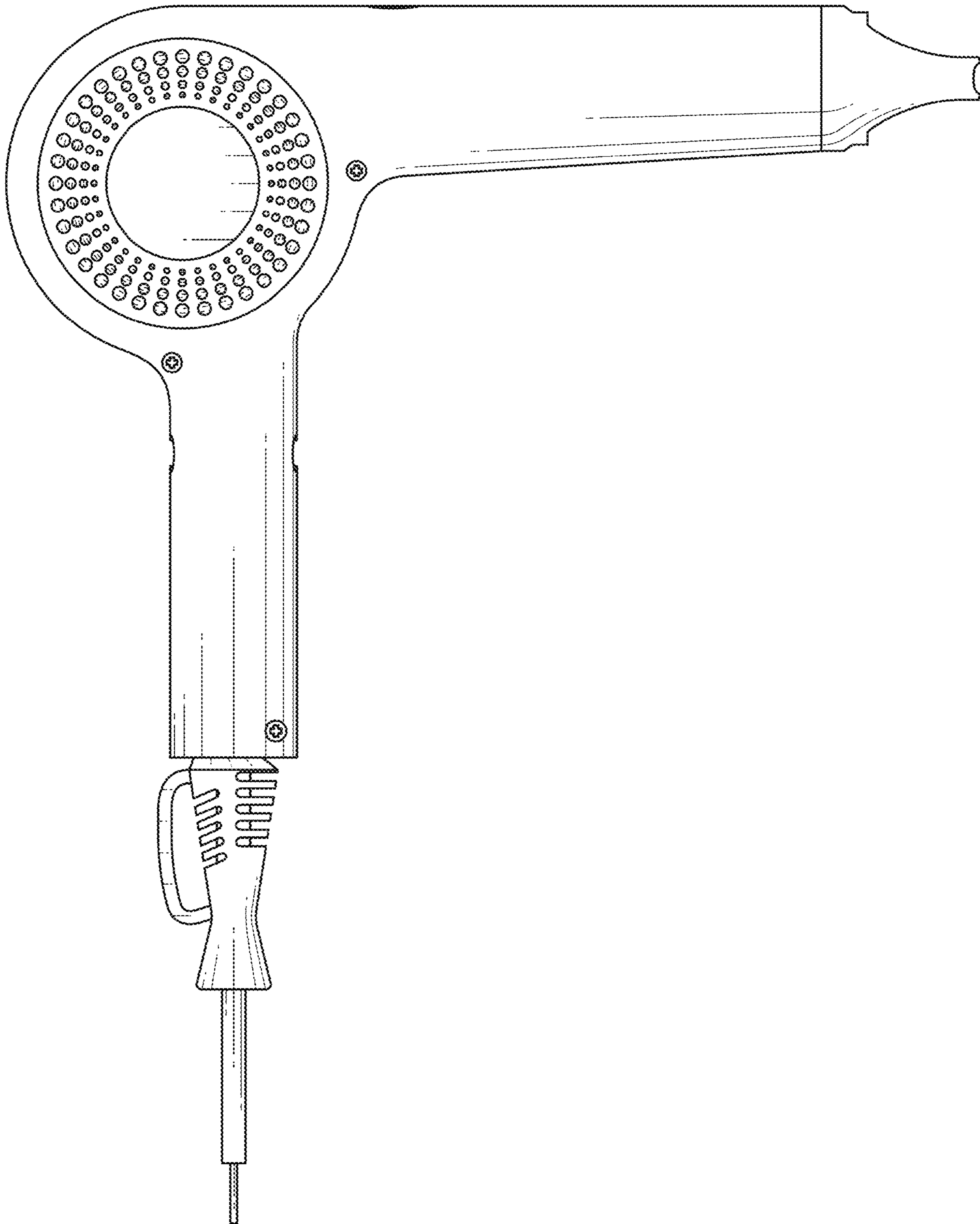
D290,174	S	*	6/1987	Tsuji	D28/13
4,903,416	A	*	2/1990	Levin	A45D 1/02
						126/401
D341,302	S	*	11/1993	Ware	D8/29.1
6,148,537	A		11/2000	Altamore		
D472,345	S		3/2003	Altamore		
D472,672	S		4/2003	Altamore et al.		
D473,012	S		4/2003	Altamore		
6,775,922	B2		8/2004	Langley et al.		
D537,565	S	*	2/2007	Shin	D28/13
D577,861	S	*	9/2008	Leung	D28/13
D580,594	S	*	11/2008	Leung	D28/13
D715,996	S	*	10/2014	Dyson	A45D 20/12
						D28/13
D782,733	S	*	3/2017	Smith	D28/13
D859,738	S	*	9/2019	Huang	D28/13
D894,484	S	*	8/2020	Huang	D28/13

* cited by examiner

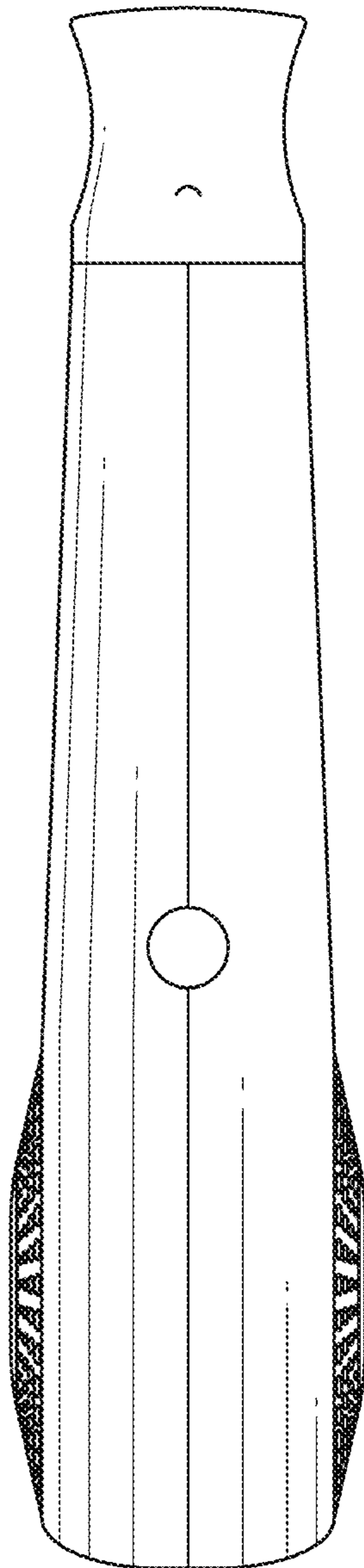
1.1



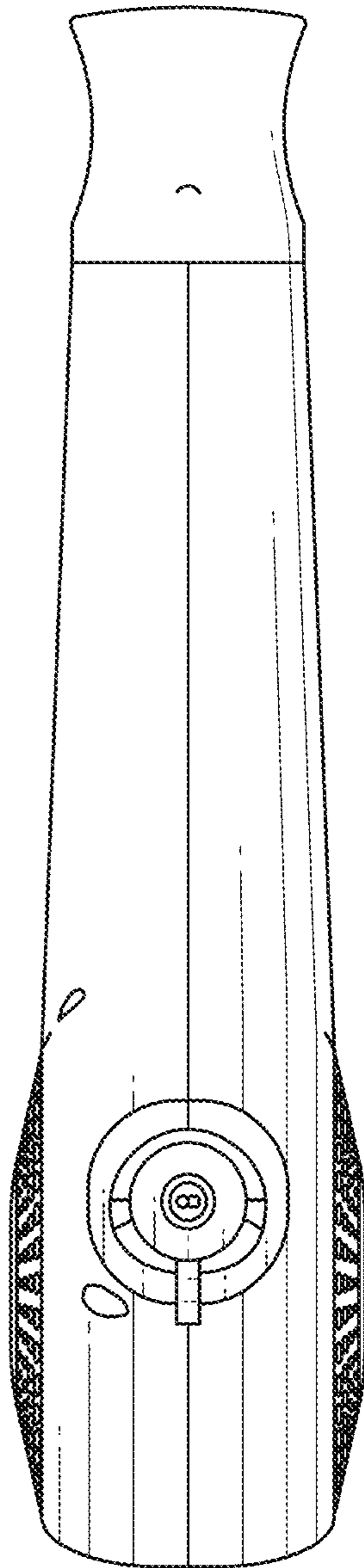
1.2



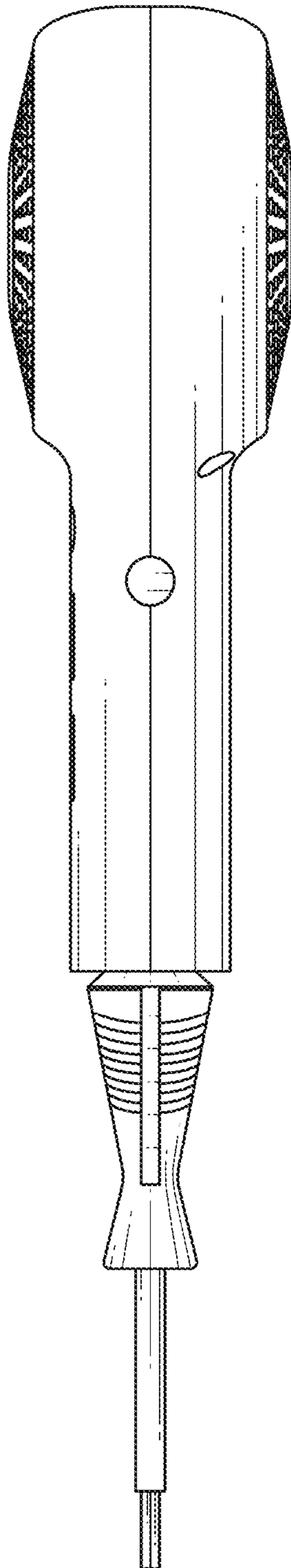
1.3



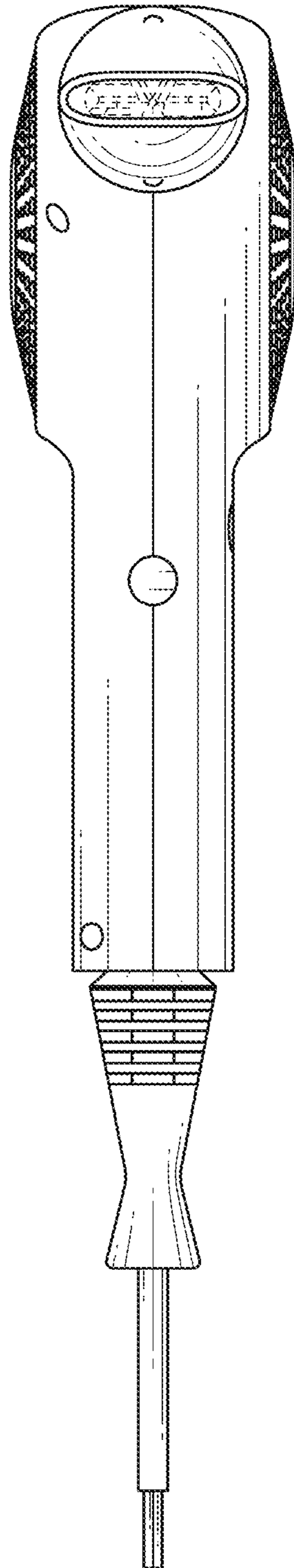
1.4



1.5



1.6



1.7

