

US00D966604S

(12) **United States Design Patent** (10) **Patent No.:** **US D966,604 S**
Ou (45) **Date of Patent:** **** Oct. 11, 2022**

(54) **ATOMIZER**
(71) Applicant: **SHENZHEN VERDEWELL TECHNOLOGY LIMITED**, Guangdong (CN)
(72) Inventor: **Guoliang Ou**, Guangdong (CN)
(73) Assignee: **SHENZHEN VERDEWELL TECHNOLOGY LIMITED**, Shenzhen (CN)

(**) Term: **15 Years**

(21) Appl. No.: **29/767,550**

(22) Filed: **Jan. 22, 2021**

(30) **Foreign Application Priority Data**

Sep. 25, 2020 (CN) 202030576198.4

(51) **LOC (13) Cl.** **27-02**

(52) **U.S. Cl.**
USPC **D27/162**

(58) **Field of Classification Search**
USPC D27/162, 100, 101, 163-170, 172, D27/174-176, 183, 185-194; D24/110, D24/100.5; D23/360, 363, 366; D13/103, 107
CPC A24F 1/30; A24F 1/02; A24F 1/00; A24F 47/00; A24F 47/02; A24F 47/04; A24F 47/08

See application file for complete search history.

(56) **References Cited**

U.S. PATENT DOCUMENTS

D844,235 S * 3/2019 Cividi D27/167
D849,996 S * 5/2019 Duque D27/194
D870,368 S * 12/2019 Leon Duque D27/162
D887,632 S * 6/2020 Duque D27/167

D889,736 S * 7/2020 Han D27/162
D893,096 S * 8/2020 Leon Duque D27/194
D902,480 S * 11/2020 Chen D27/194
D914,276 S * 3/2021 Lai D27/162
D914,277 S * 3/2021 Han D27/162
D923,864 S * 6/2021 Carlberg D27/162
D927,052 S * 8/2021 Qiu D27/162
D927,059 S * 8/2021 Lai D27/162
D927,061 S * 8/2021 Leon Duque D27/167
D928,394 S * 8/2021 Jones D27/162

(Continued)

Primary Examiner — Rebecca Tsehaye

(74) *Attorney, Agent, or Firm* — Ladas & Parry LLP

(57) **CLAIM**

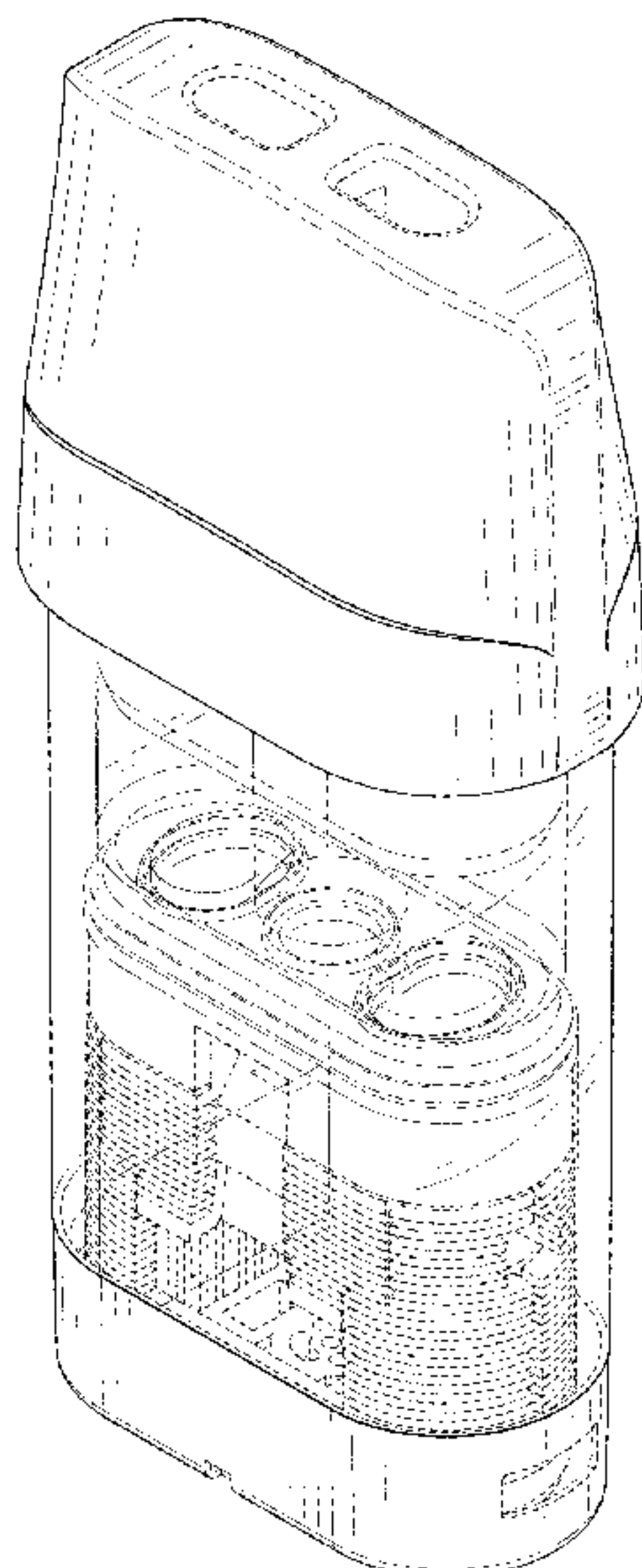
The ornamental design for an atomizer, as shown and described.

DESCRIPTION

FIG. 1 is a front, top, right perspective view of an atomizer according to a first embodiment showing my new design; FIG. 2 is rear, bottom, left perspective view thereof; FIG. 3 is a front elevational view thereof; FIG. 4 is a rear elevational view thereof; FIG. 5 is a left-side elevational view thereof; FIG. 6 is a right-side elevational view thereof; FIG. 7 is a top plan view thereof; and FIG. 8 is a bottom plan view thereof. FIG. 9 is a front, top, right perspective view of an atomizer according to a second embodiment showing my new design; FIG. 10 is rear, bottom, left perspective view thereof; FIG. 11 is a front elevational view thereof; FIG. 12 is a rear elevational view thereof; FIG. 13 is a left-side elevational view thereof; FIG. 14 is a right-side elevational view thereof; FIG. 15 is a top plan view thereof; and, FIG. 16 is a bottom plan view thereof.

The broken lines depict portions of the atomizer that no part of the claimed design.

1 Claim, 16 Drawing Sheets



(56)

References Cited

U.S. PATENT DOCUMENTS

D929,034 S *	8/2021	Li	D27/162
D930,236 S *	9/2021	Fornarelli	D27/167
D933,286 S *	10/2021	Weiss	D27/162
D937,477 S *	11/2021	Li	D27/162
D940,951 S *	1/2022	Ding	D27/162
D943,162 S *	2/2022	Chen	D27/162
D945,699 S *	3/2022	Hermiz	D27/162

* cited by examiner

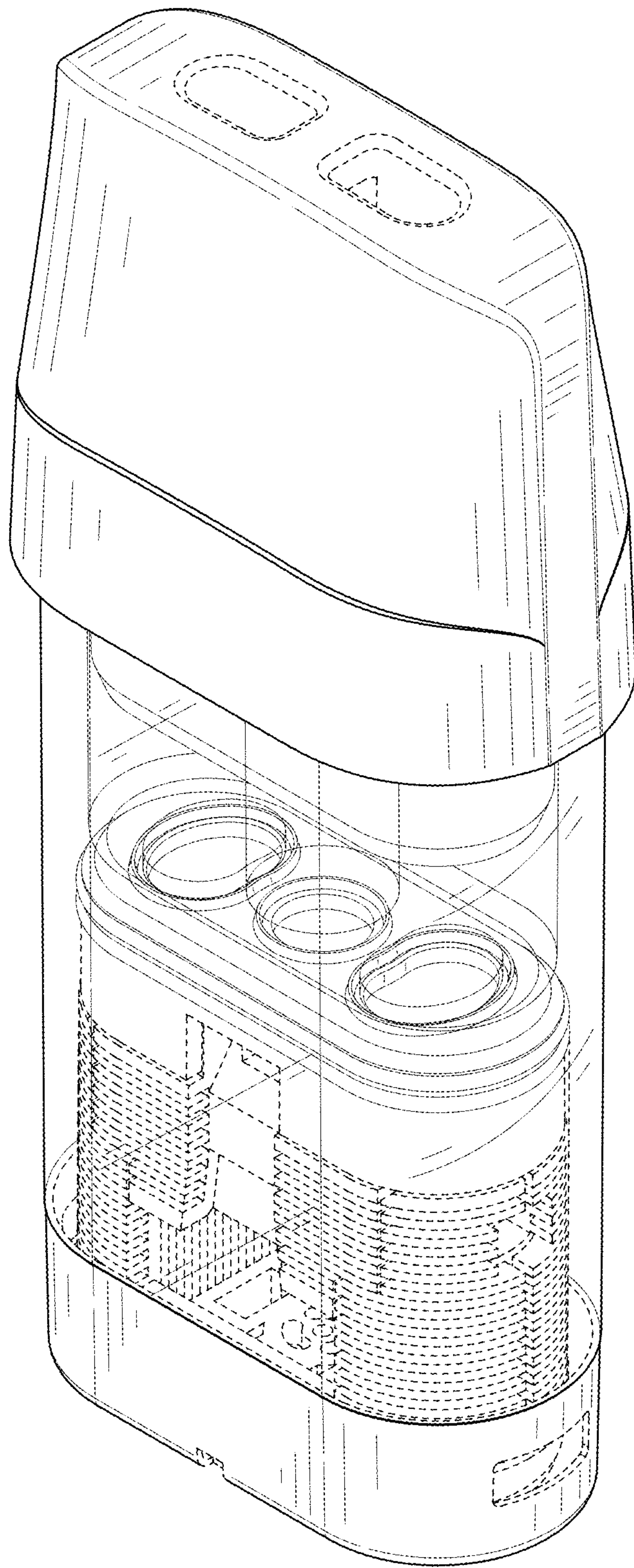


FIG. 1

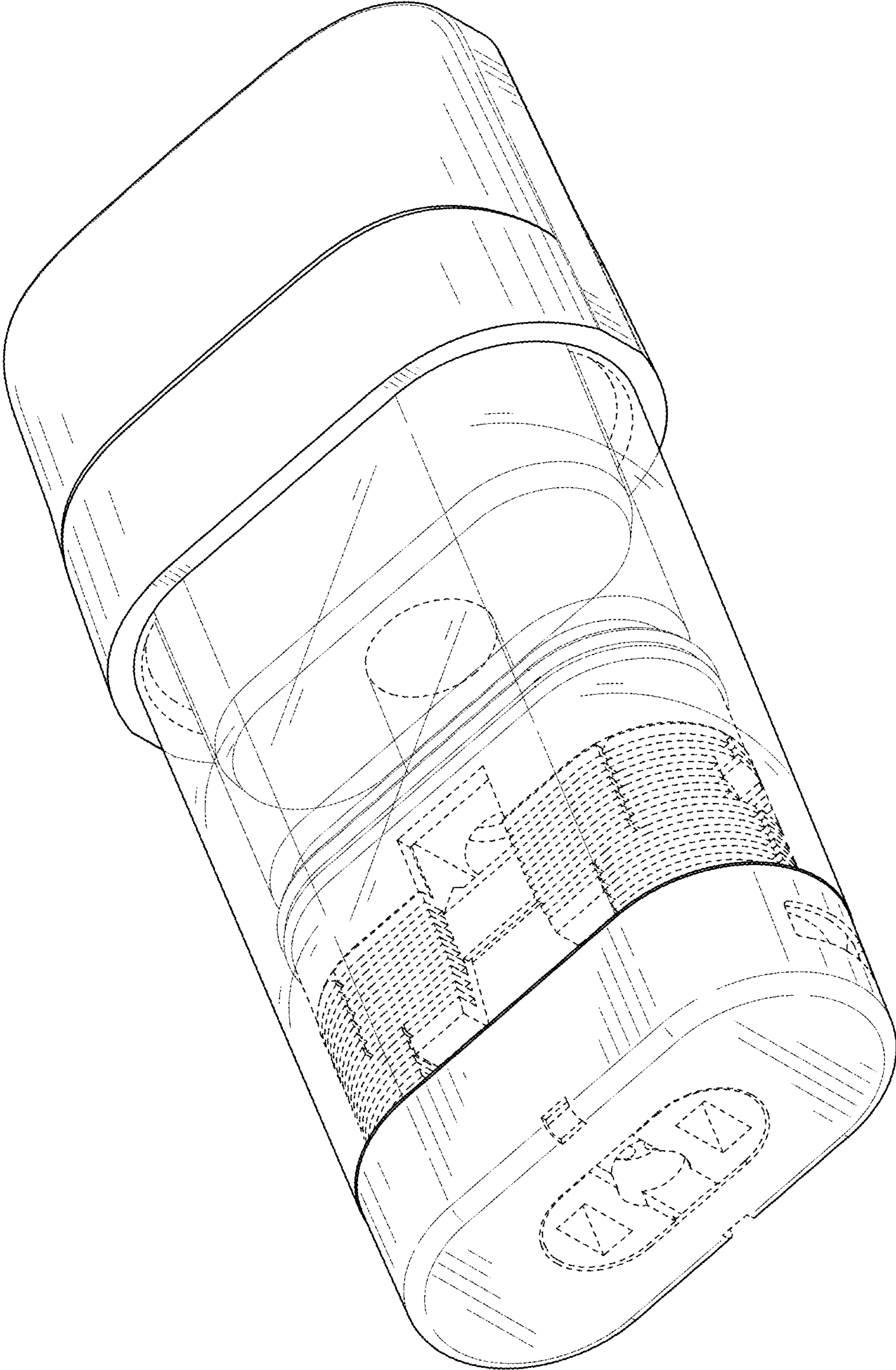


FIG. 2

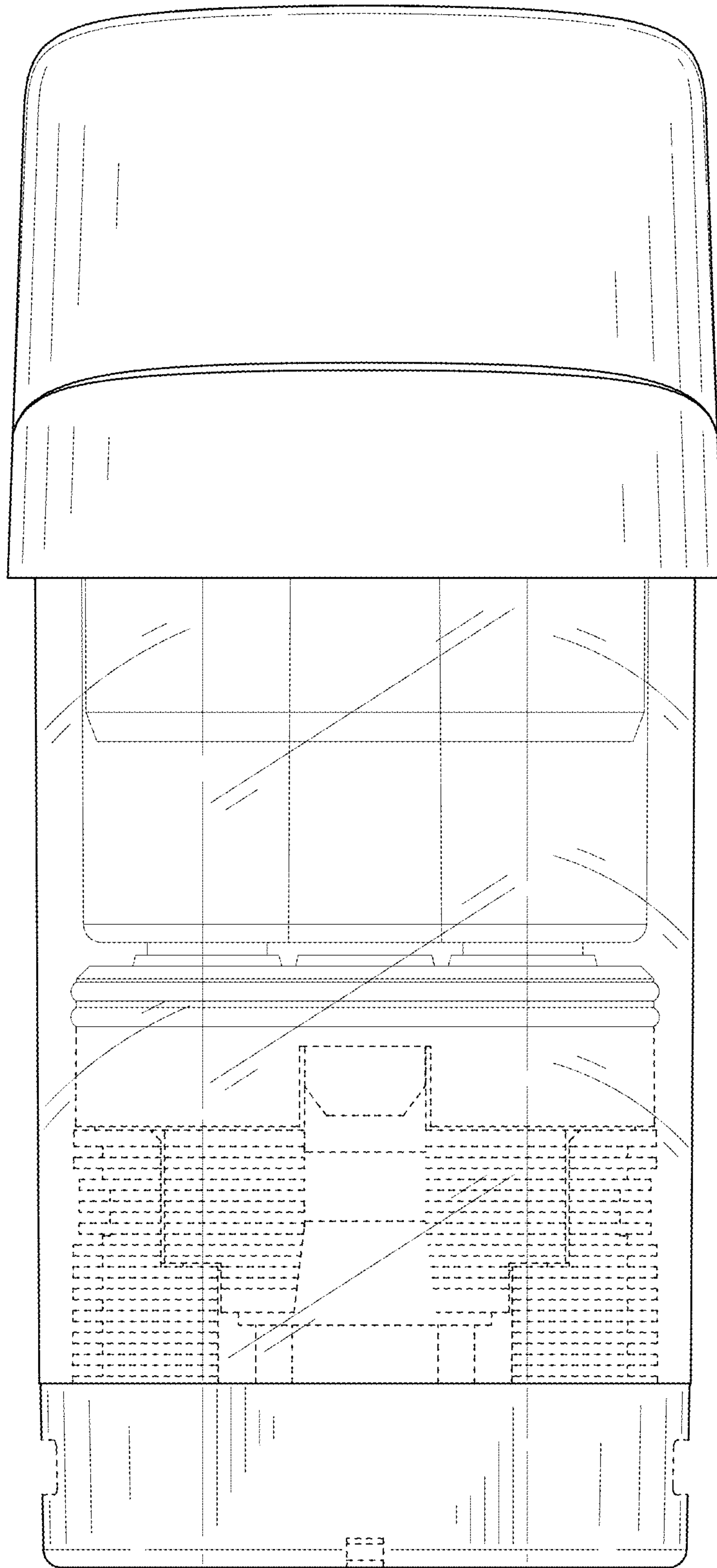


FIG. 3

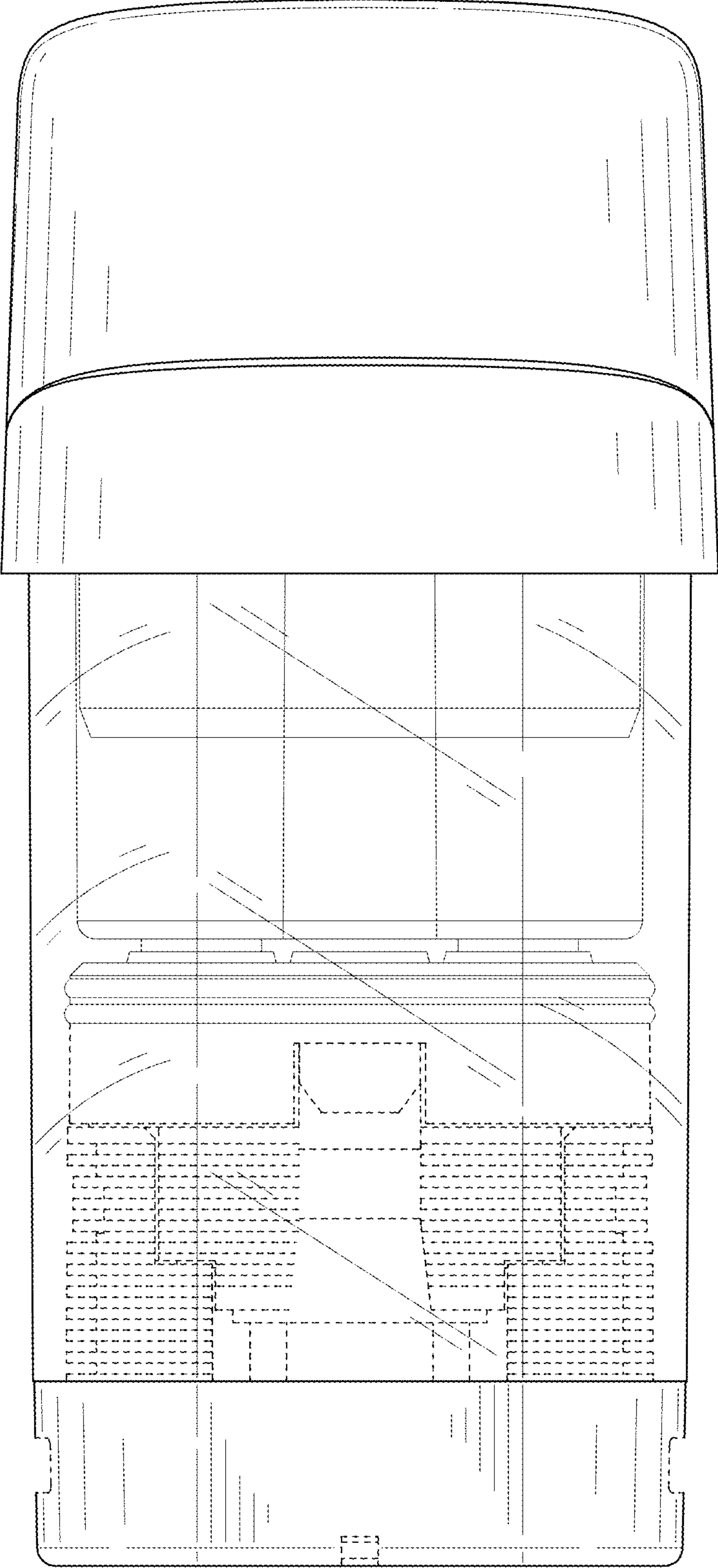


FIG. 4

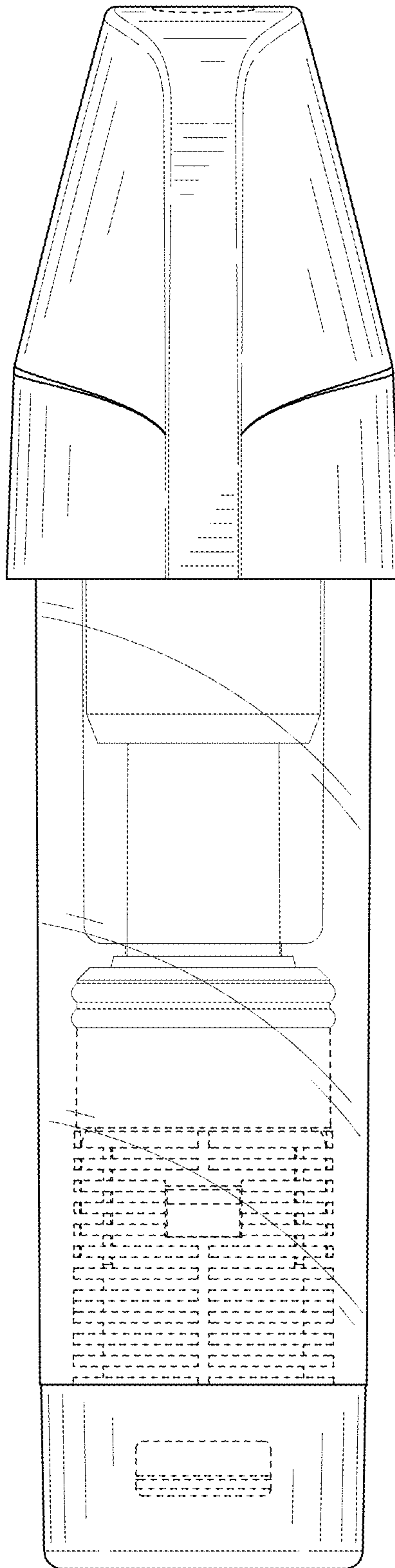


FIG. 5

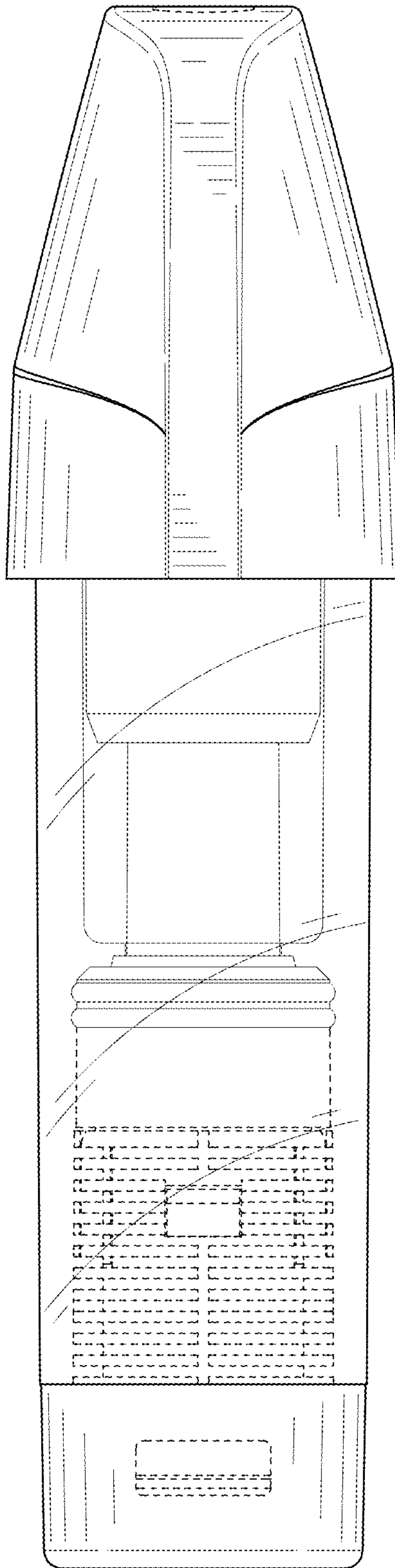


FIG. 6

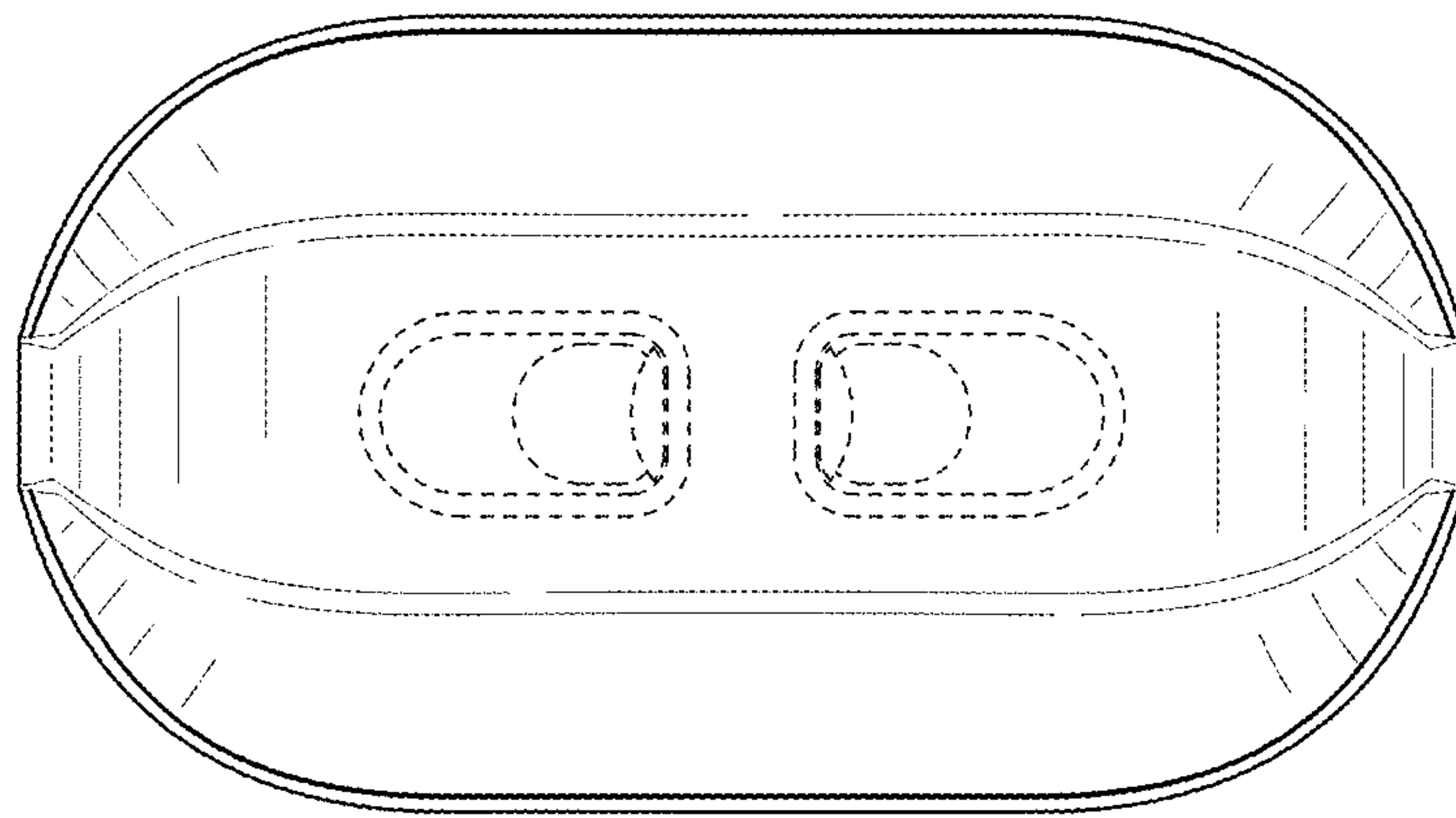


FIG. 7

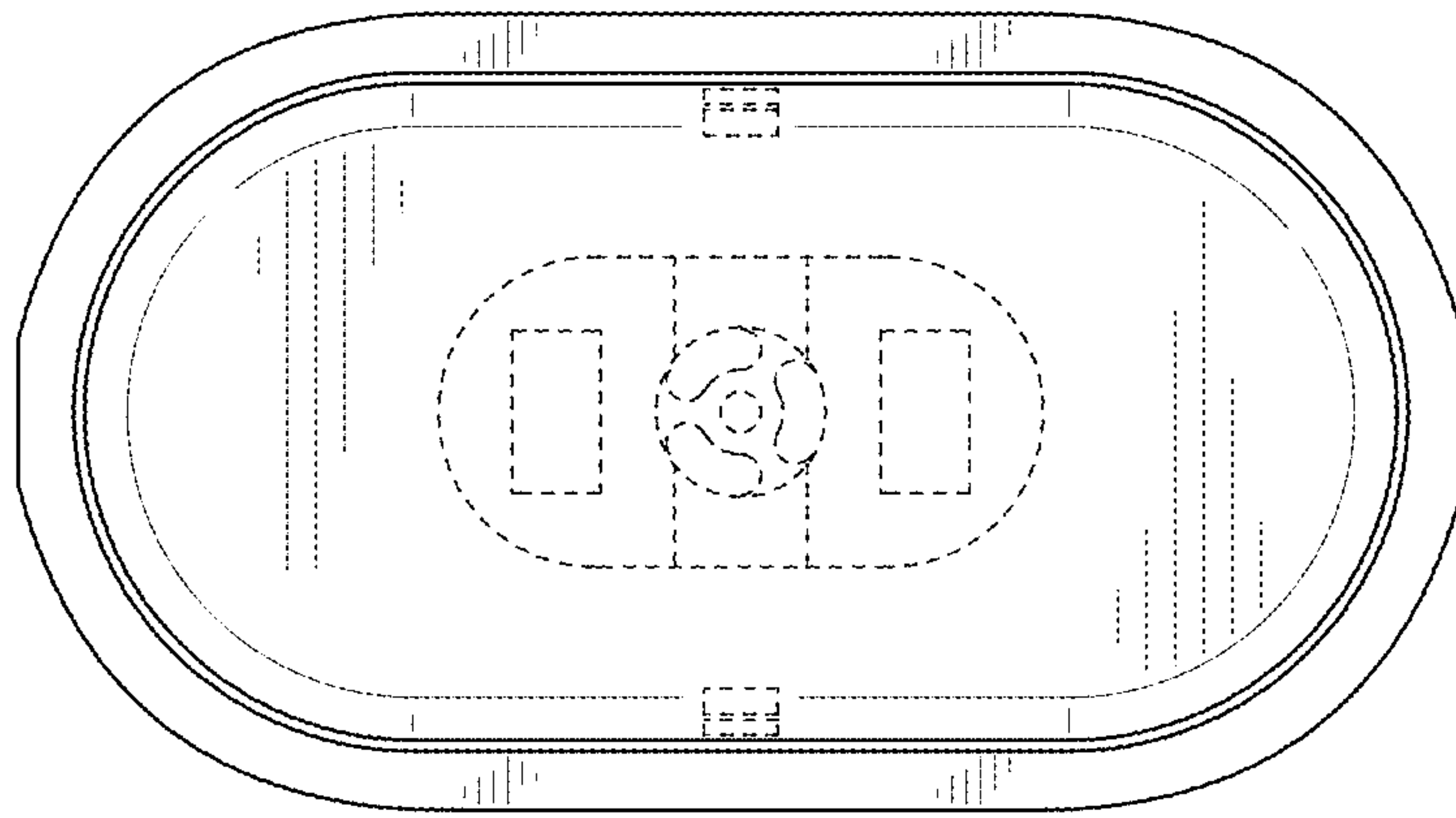


FIG. 8

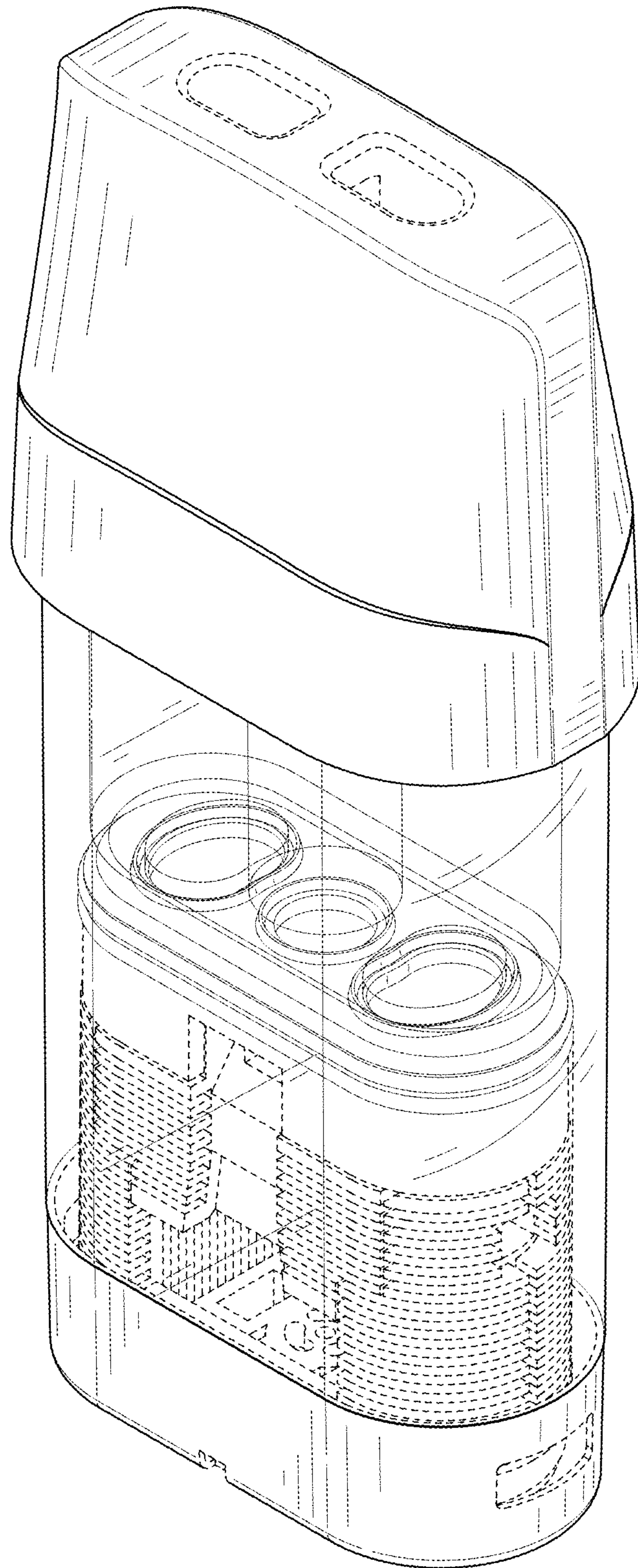


FIG. 9

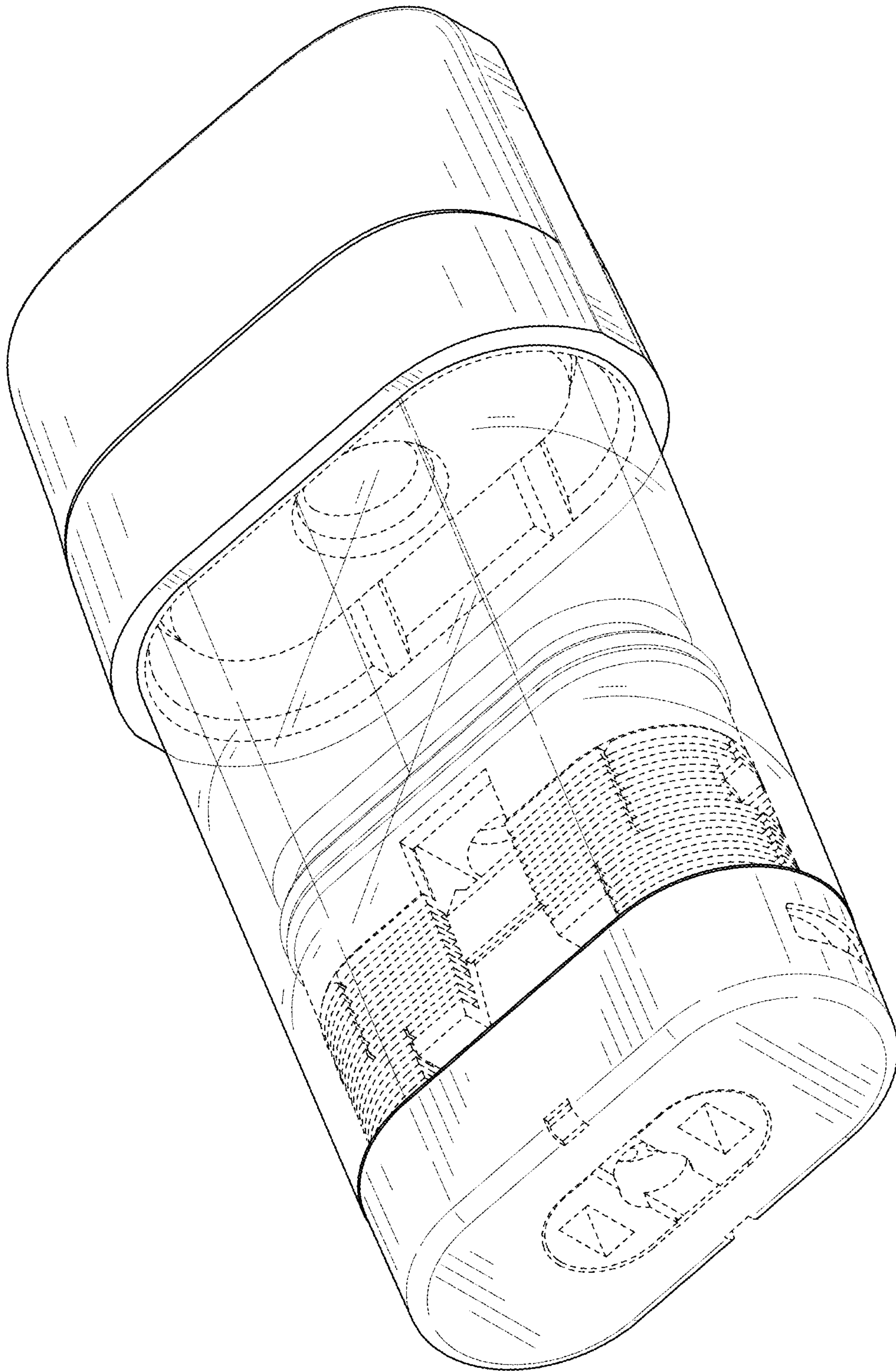


FIG. 10

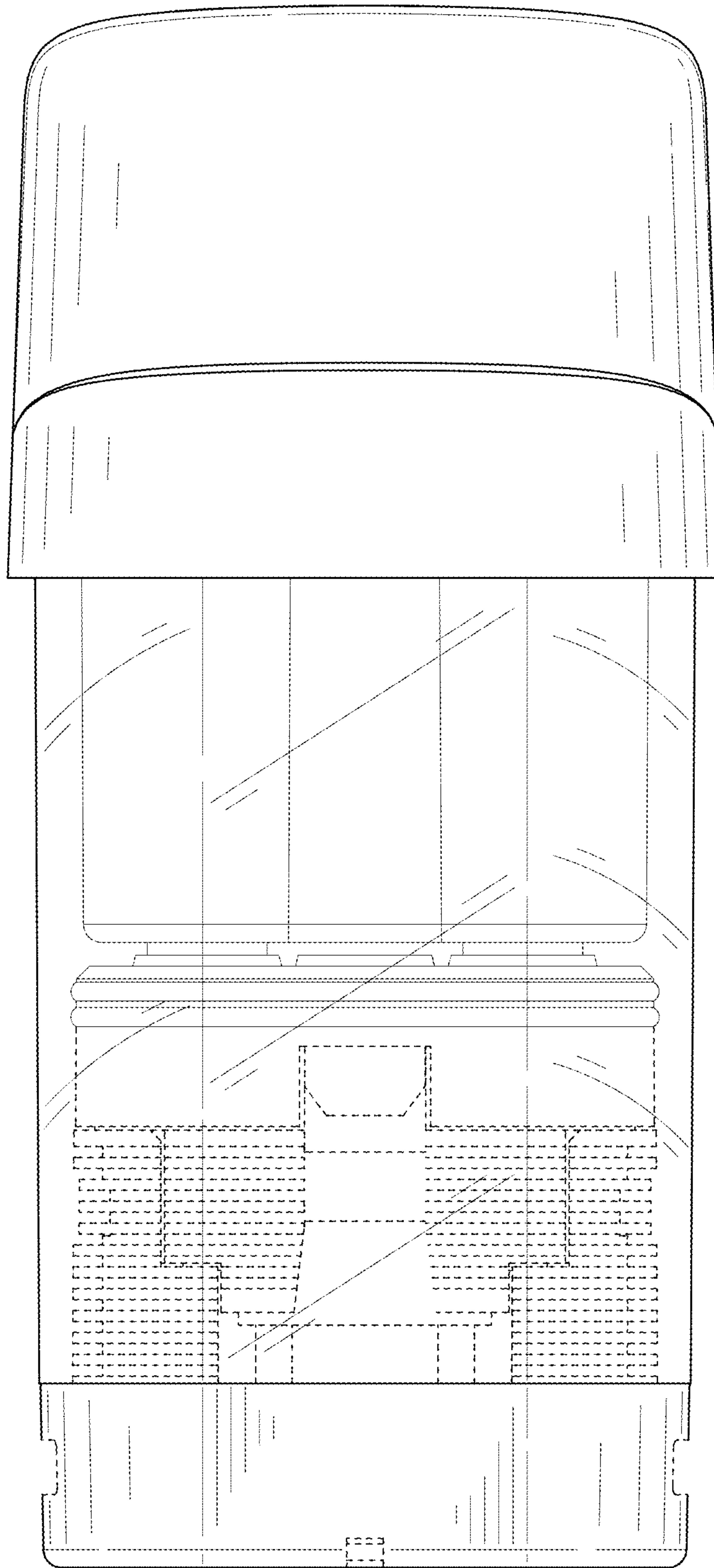


FIG. 11

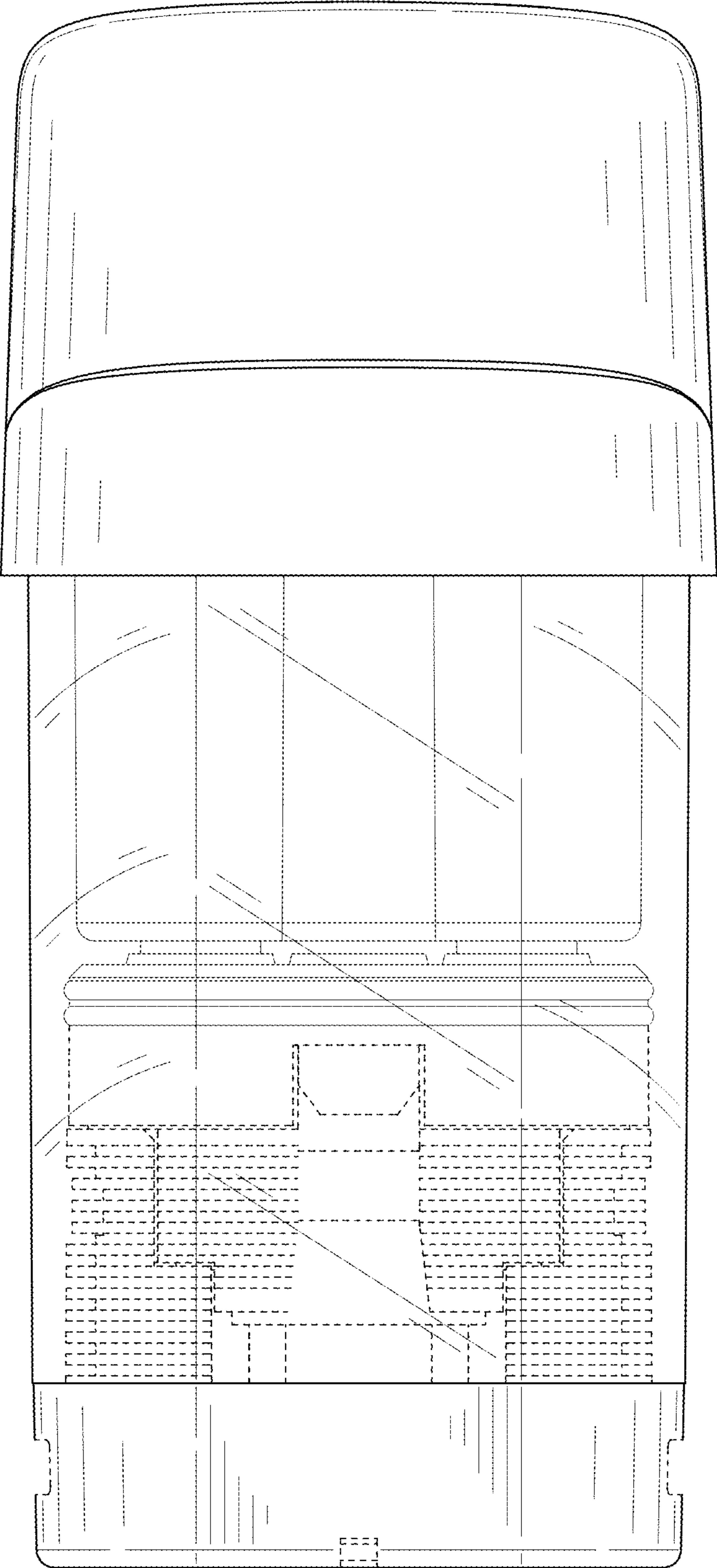


FIG. 12

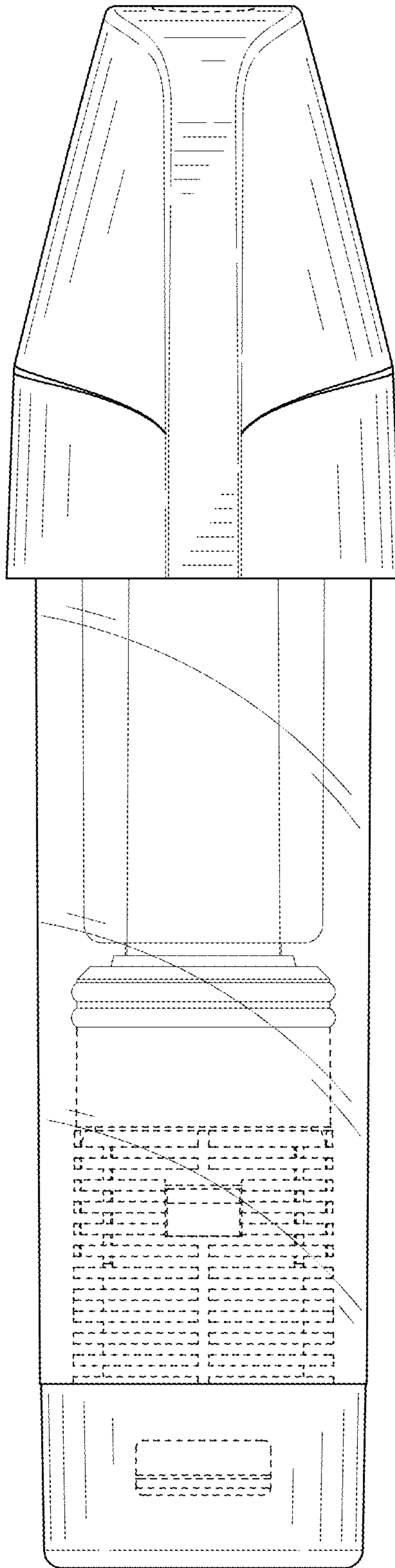


FIG. 13

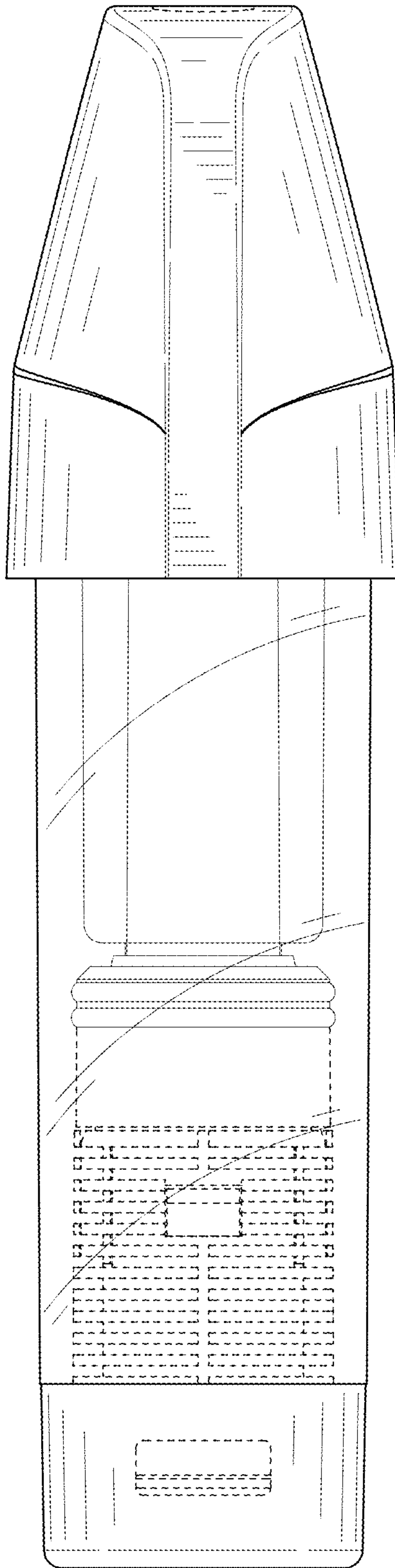


FIG. 14

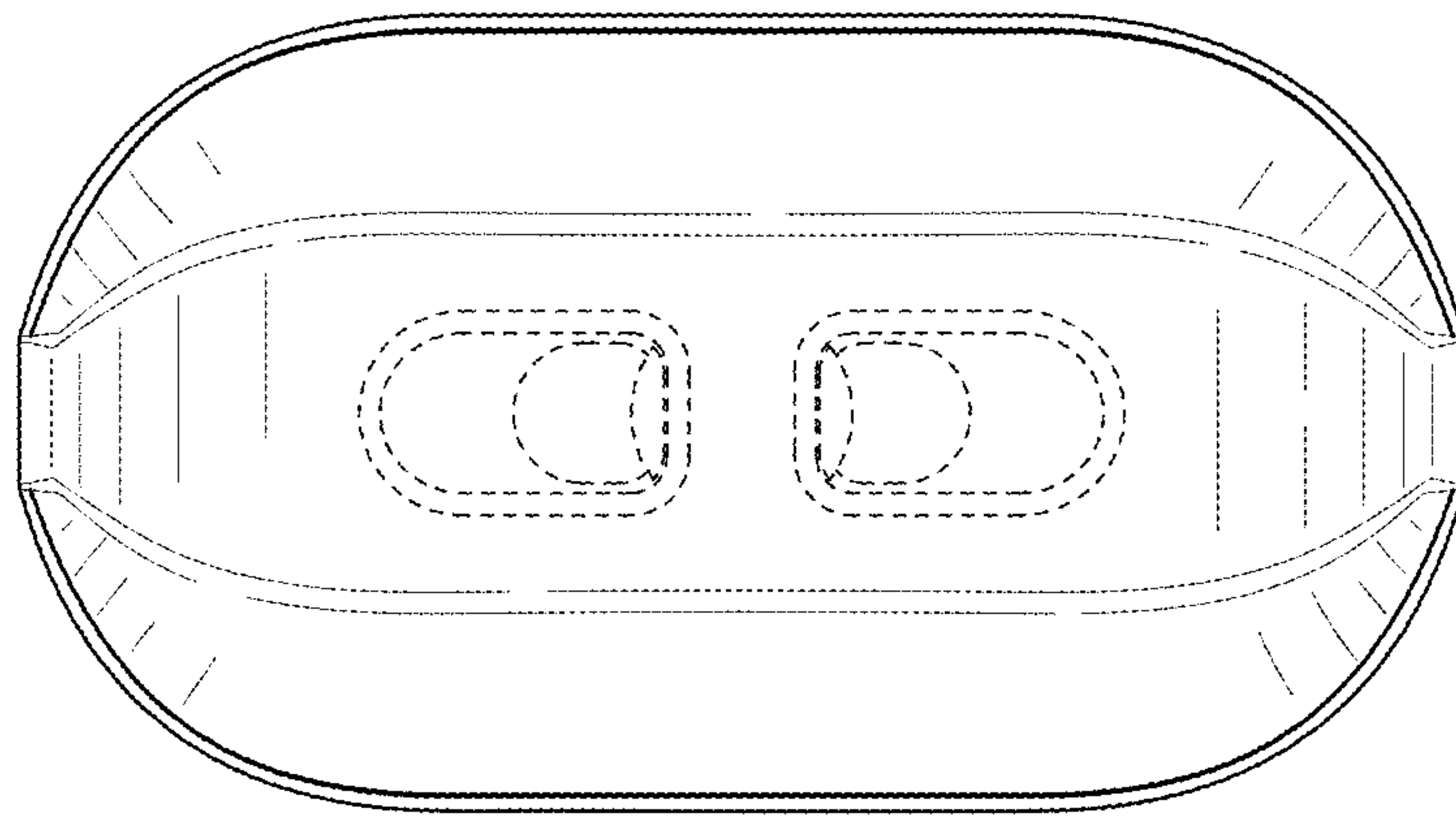


FIG. 15

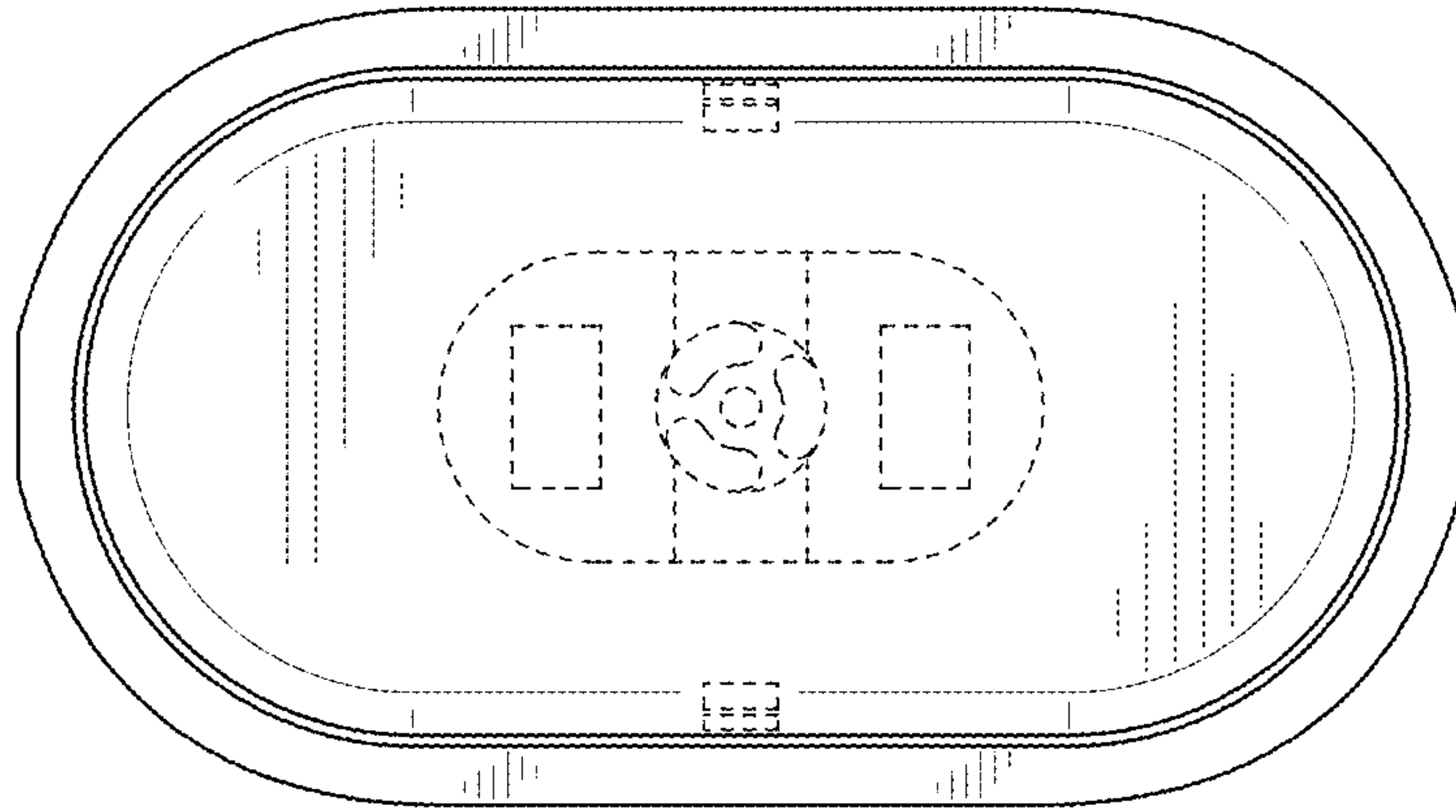


FIG. 16