



US00D966603S

(12) **United States Design Patent** (10) **Patent No.:** **US D966,603 S**
Fornarelli (45) **Date of Patent:** **** Oct. 11, 2022**

(54) **LED ATOMIZER**

(71) Applicant: **14th Round Incorporated**, Los Angeles, CA (US)

(72) Inventor: **Thomas Fornarelli**, Chicago, IL (US)

(73) Assignee: **14TH ROUND INC.**, Van Nuys, CA (US)

(**) Term: **15 Years**

(21) Appl. No.: **29/716,370**

(22) Filed: **Dec. 9, 2019**

(51) **LOC (13) Cl.** **27-07**

(52) **U.S. Cl.**
USPC **D27/162**

(58) **Field of Classification Search**
USPC D27/100, 101, 162, 163, 164, 165, 166, D27/167, 168, 169, 170, 171, 172, 173, D27/174, 175, 176, 177, 178, 179, 180, D27/181, 182, 183, 184, 185, 186, 187, D27/188, 189, 190, 191, 192, 193; D24/110, 110.2, 110.5, 110.6; D28/91.1; D19/115, 116, 117, 118, 119, 120, 130, D19/50, 170, 174, 66

CPC A24F 47/008; A24F 40/10; A24F 40/40; A24F 40/42; A24F 40/46; A24F 47/00; A24F 40/44; A24F 40/50; A24F 40/90; A24F 40/485; A24F 40/70; A24F 40/60; A24F 47/002; A24F 40/48; A24F 40/51; A24F 40/53; A24F 40/57; A24F 40/65; A24F 7/00; A24F 40/20; A24F 47/004; A24F 40/05; A24F 40/30; A24F 7/02; A24F 7/04; A24F 15/015; A24F 1/32; A24F 40/00; A24F 40/49; A24F 40/85; A24F 40/95; A24F 42/60; A24F 40/465; A24F 1/00; A24F 1/02; A24F 9/16; A24F 42/20; A24F 15/01; A61M 11/042; A61M 15/06; A61M 2205/8206; A61M 2205/3653; A61M 2016/0024; A61M 11/005; A61M 2016/0027; A61M 2205/587; A61M

(Continued)

(56) **References Cited**

U.S. PATENT DOCUMENTS

D303,021 S * 8/1989 Reichmann D28/5
D614,346 S * 4/2010 Lik D27/101

(Continued)

FOREIGN PATENT DOCUMENTS

CN 201830769583.3 * 7/2019

OTHER PUBLICATIONS

Getty images. By Getty Images. Dated Oct. 5, 2020. Found online [Feb. 17, 2021]. https://www.gettyimages.com/detail/photo/extract-oil-in-vape-pens-up-close-royalty-free-image/1171628815?irgwc=1&esource=AFF_GI_IR_TinEye_77643&asid=TinEye&cid=GI&utm_medium=affiliate&utm_source=TinEye&utm_content=77643 (Year: 2020).*

(Continued)

Primary Examiner — Marissa J Cash
Assistant Examiner — William B Melliar
(74) *Attorney, Agent, or Firm* — Flener IP & Business Law; Zareefa B. Flener; Ayhan E. Mertogul

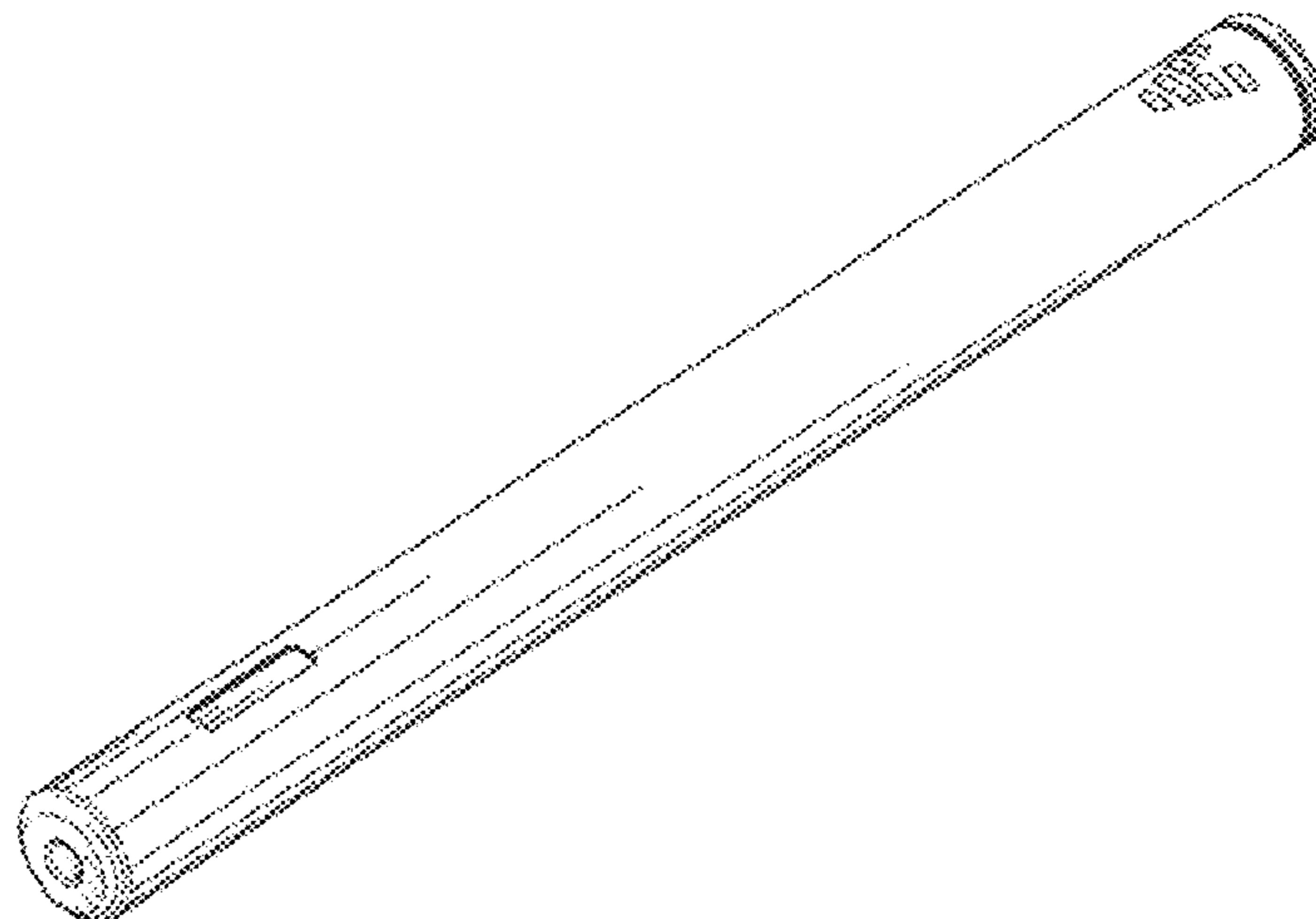
(57) **CLAIM**

The ornamental design for a LED atomizer, as shown and described.

DESCRIPTION

FIG. 1 is a perspective view of a LED atomizer showing my new design;
FIG. 2 is a top plan view of the design of FIG. 1;
FIG. 3 is a bottom plan view of the design of FIG. 1;
FIG. 4 is a front view of the design of FIG. 1;
FIG. 5 is a rear view of the design of FIG. 1;
FIG. 6 is a right side view of the design of FIG. 1; and,
FIG. 7 is a left side view of the design of FIG. 1.
The broken lines in the drawings depict portions of the multi-stage LED atomizer that form no part of the claim.

1 Claim, 3 Drawing Sheets



(58) **Field of Classification Search**

CPC 11/003; A61M 11/044; A61M 15/002;
 A61M 15/0085; A61M 16/0003; A61M
 2205/3368; A61M 2205/8256; A61M
 11/001; A61M 11/04; A61M 15/0021;
 A61M 2016/0018; A61M 2016/0021;
 A61M 2021/0016; A61M 2205/8268;
 A61M 2209/02; A61M 11/041; A61M
 15/0025; A61M 15/008; A61M
 2016/0033; A61M 2016/0039; A61M
 21/00; A61M 2205/0211; A61M
 2205/3331; A61M 2205/3334; A61M
 2205/3379; A61M 2205/52; A61M
 2205/58; A61M 2205/583; A61M
 2205/6018; A61M 2205/6054; A61M
 2205/75; A61M 2206/11; A61M 2206/20;
 A61M 2209/045; A61M 11/02; A61M
 15/0001; A61M 2205/42; A61M 35/003;
 A61M 35/25; A61M 11/00; A61M
 11/002; A61M 11/006; A61M 11/007;
 A61M 11/06; A61M 15/00; A61M
 15/0028; A61M 15/0065; A61M 15/0066;
 A61M 15/0091; A61M 15/0095; A61M
 16/06; A61M 2016/0036; A61M
 2202/0007; A61M 2202/0468; A61M
 2205/0238; A61M 2205/0288; A61M
 2205/07; A61M 2205/103; A61M
 2205/12; A61M 2205/18; A61M
 2205/3317; A61M 2205/3327; A61M
 2205/3337; A61M 2205/3372; A61M
 2205/3375; A61M 2205/3569; A61M
 2205/3592; A61M 2205/50; A61M
 2205/581; A61M 2205/6009; A61M
 2205/8243; A61M 2205/8262; A61M
 2206/16; A61M 2206/18; A61M 2207/00;
 A61M 2209/086; A61M 2209/10; A61M
 2210/04; A61M 2210/0612; A61M
 2230/42; A61M 2240/00; A61M 35/30;

A61M 39/24; A24B 15/167; A24B 15/16;
 A24B 15/18; A24B 15/303; A24B
 15/308; A24B 15/34

See application file for complete search history.

(56)

References Cited

U.S. PATENT DOCUMENTS

D617,050	S	*	6/2010	Lou	D28/76
D662,257	S	*	6/2012	Alelov	D27/101
D666,355	S	*	8/2012	Alelov	D27/101
D685,522	S	*	7/2013	Potter	D27/101
D728,154	S	*	4/2015	Lavanchy	D27/101
D739,597	S	*	9/2015	Lavanchy	D27/100
D739,598	S	*	9/2015	Lavanchy	D27/100
D755,440	S	*	5/2016	Collen	D27/163
D797,369	S	*	9/2017	Yamada	D27/101
9,801,418	BI	*	10/2017	Liu	A24F 40/40
D803,475	S	*	11/2017	Scheiber	D27/101
D804,091	S	*	11/2017	Fornarelli	D27/101
D814,102	S	*	3/2018	Lehoux	D27/101
D825,837	S	*	8/2018	Abroff	D27/101
D844,222	S	*	3/2019	Yamada	D27/101
D857,983	S	*	8/2019	Bramley	D27/101
D866,061	S	*	11/2019	Lalehzadeh	D27/162
D871,662	S	*	12/2019	Volodarsky	D27/101
D892,395	S	*	8/2020	Bagai	D27/101
D897,594	S	*	9/2020	Tucker	D27/101
D898,988	S	*	10/2020	Levinson	D27/101
D906,419	S	*	12/2020	Ryu	D19/66
D920,567	S	*	5/2021	Fornarelli	D27/101
2011/0277757	A1	*	11/2011	Terry	A61M 15/06 128/202.21
2019/0021400	A1	*	1/2019	Fornarelli	A24F 40/60
2019/0223504	A1	*	7/2019	Chen	A24F 40/485

OTHER PUBLICATIONS

Dompen Honey Citrus Ratio 4:1 Half Gram. By weedmaps. Dated Jun. 30, 2017. Found online [Feb. 17, 2021]. <https://weedmaps.com/brands/dompen/products/dompen-cbd> (Year: 2017).*

* cited by examiner

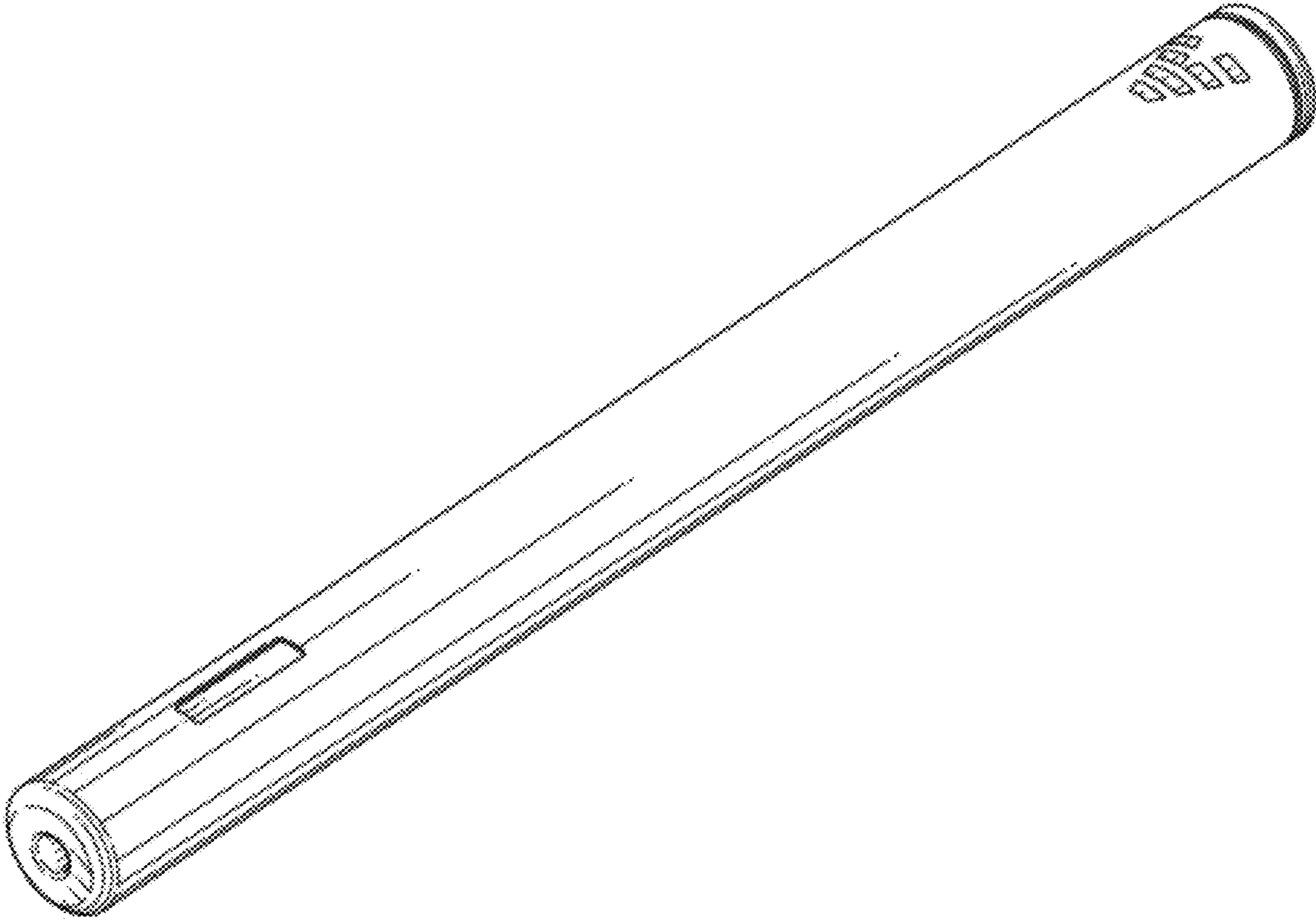


FIG. 1

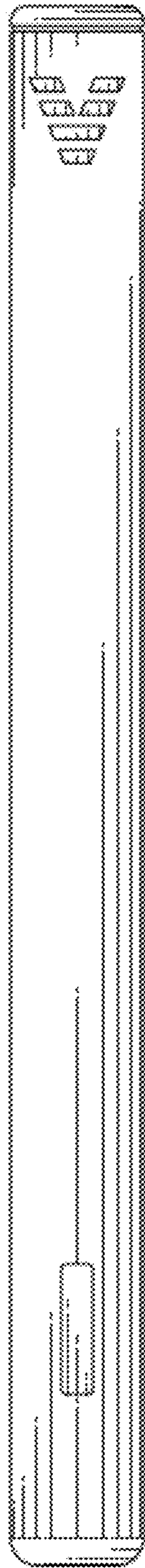


FIG. 2

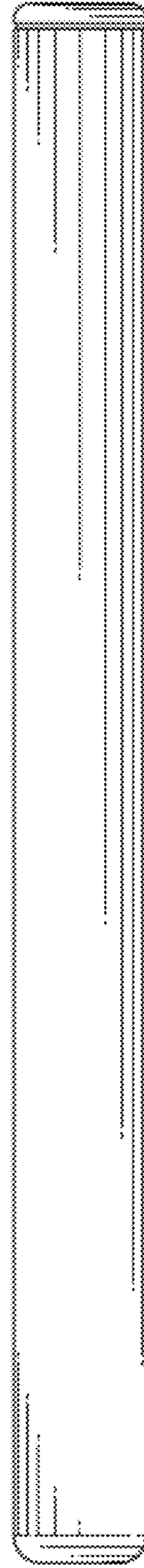


FIG. 3

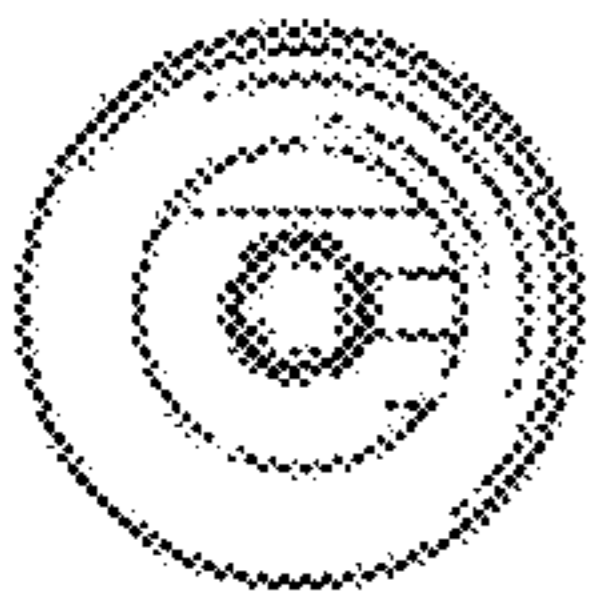


FIG. 4

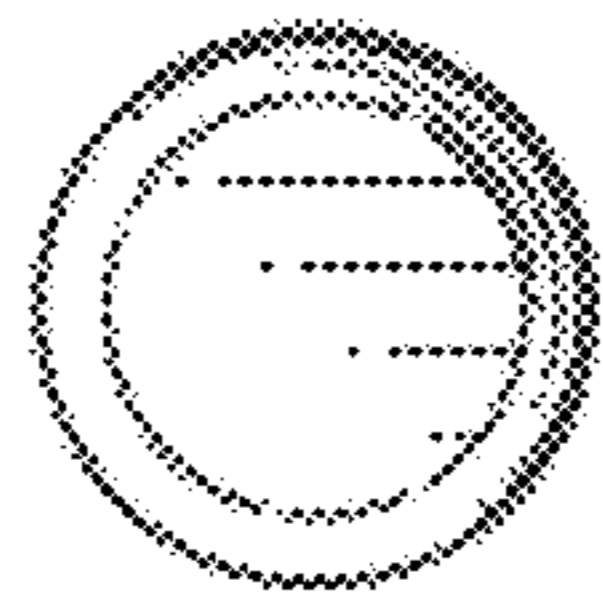


FIG. 5

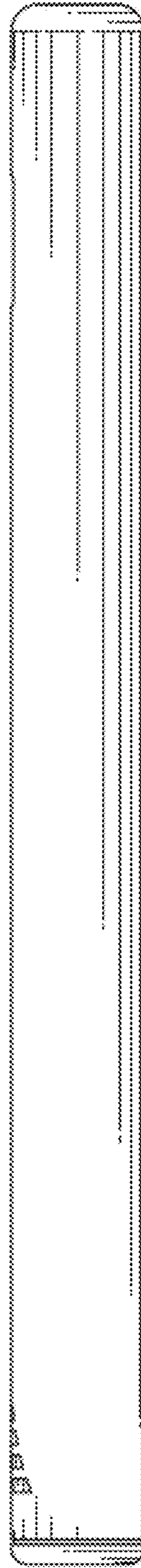


FIG. 6

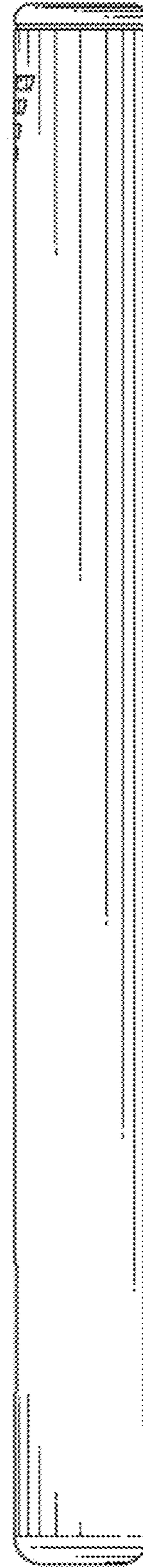


FIG. 7