

US00D966602S

(12) **United States Design Patent** (10) **Patent No.:** **US D966,602 S**  
**Shi** (45) **Date of Patent:** **\*\* Oct. 11, 2022**

(54) **DUAL ARC BUTANE LIGHTER**  
(71) Applicant: **Guofen Shi**, Guizhou (CN)  
(72) Inventor: **Guofen Shi**, Guizhou (CN)  
(\*\*) Term: **15 Years**

D861,974 S \* 10/2019 Zhao ..... D27/154  
D863,669 S \* 10/2019 Payne ..... D27/156  
D932,685 S \* 10/2021 Chung ..... D27/141  
D935,685 S \* 11/2021 Chung ..... D27/141  
2021/0388986 A1\* 12/2021 Barber ..... F23Q 2/42

(21) Appl. No.: **29/787,568**  
(22) Filed: **Jun. 7, 2021**  
(51) **LOC (13) Cl.** ..... **27-05**  
(52) **U.S. Cl.**  
USPC ..... **D27/141**  
(58) **Field of Classification Search**  
USPC ..... D27/141, 139, 142, 148, 152, 153, 154,  
D27/156, 157, 159, 160  
CPC . F23Q 2/28; F23Q 2/282; F23Q 2/285; F23Q  
2/00; F23Q 2/02; F23Q 2/16; F23Q  
2/162; F23Q 5/00  
See application file for complete search history.

**OTHER PUBLICATIONS**

Dual Arc Lighter By: Cheng Sparkly Dot found on Amazon (Feb. 11, 2022) <https://www.amazon.com/Rechargeable-Windproof-Flameless-PortableGood-Cigarette/dp/B08FTBZS76?th=1> (Mar. 17, 2020).\*

\* cited by examiner

*Primary Examiner* — Rebecca Tsehaye  
(74) *Attorney, Agent, or Firm* — Justin Lampel

(57) **CLAIM**

The ornamental design for a dual arc butane lighter, as shown and described.

(56) **References Cited**

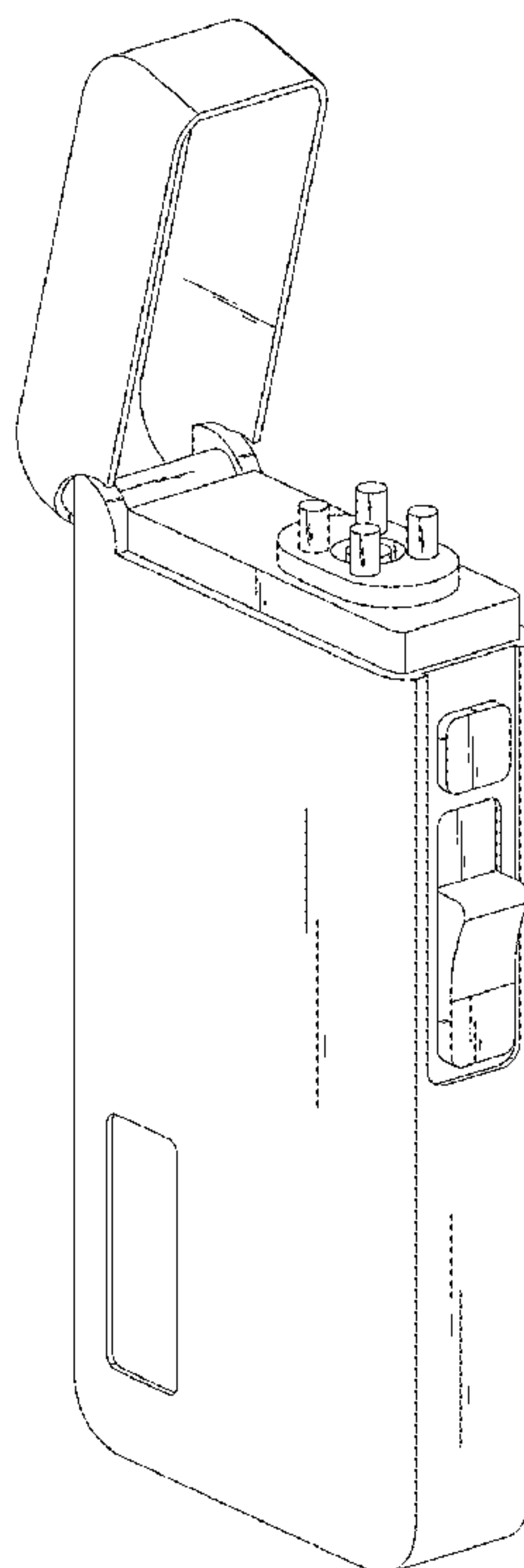
**DESCRIPTION**

**U.S. PATENT DOCUMENTS**

D197,084 S 12/1963 Newman  
D244,783 S \* 6/1977 O'Brien ..... D27/159  
D284,113 S \* 6/1986 Wassmann ..... D27/159  
D314,837 S \* 2/1991 Nitta ..... D27/154  
D320,467 S \* 10/1991 Ichikawa ..... D27/159  
6,699,033 B2 \* 3/2004 Xu ..... F23Q 2/165  
431/255  
D625,466 S \* 10/2010 Martin ..... D27/159  
D716,997 S \* 11/2014 Frelander ..... D27/165  
D736,995 S \* 8/2015 Recio ..... D27/141  
D828,950 S \* 9/2018 Gu ..... D27/141  
D830,626 S \* 10/2018 Gu ..... D27/141

FIG. 1 is a perspective view of a dual arc butane lighter showing the claimed design;  
FIG. 2 is a top plan view thereof;  
FIG. 3 is a left side view thereof;  
FIG. 4 is a front elevational view thereof;  
FIG. 5 is a right side view thereof;  
FIG. 6 is a rear elevational view thereof; and,  
FIG. 7 is a bottom plan view thereof.  
The broken lines illustrate portions of the dual arc butane lighter that form no part of the claimed design.

**1 Claim, 7 Drawing Sheets**



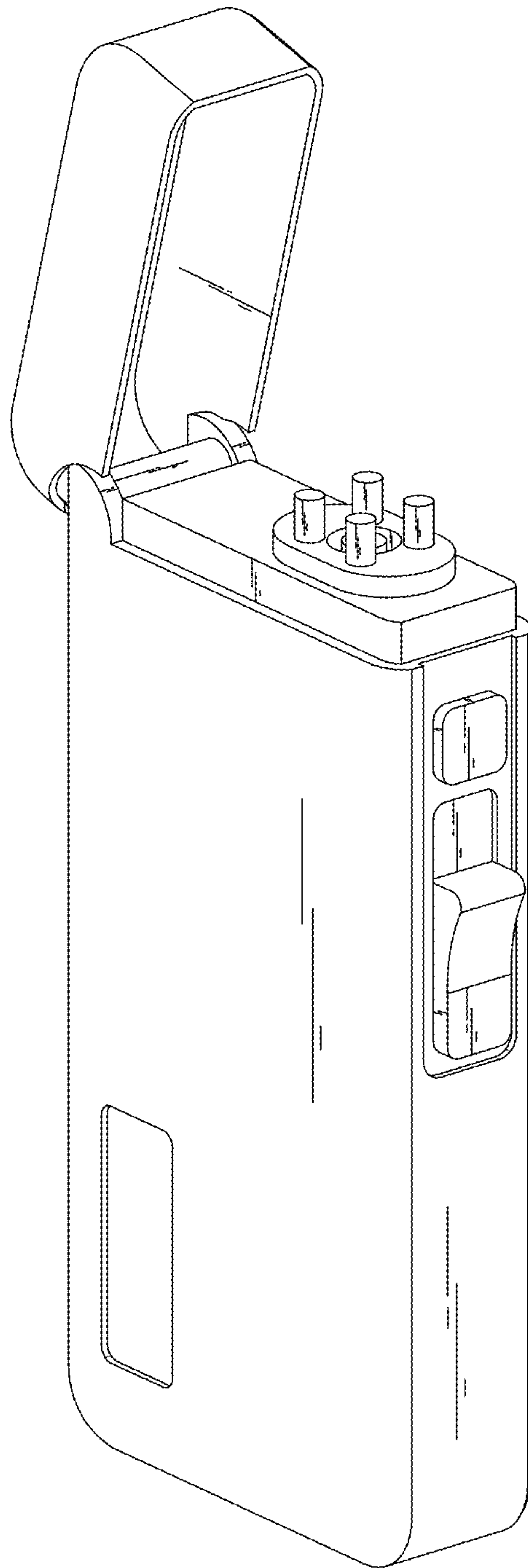


FIG. 1

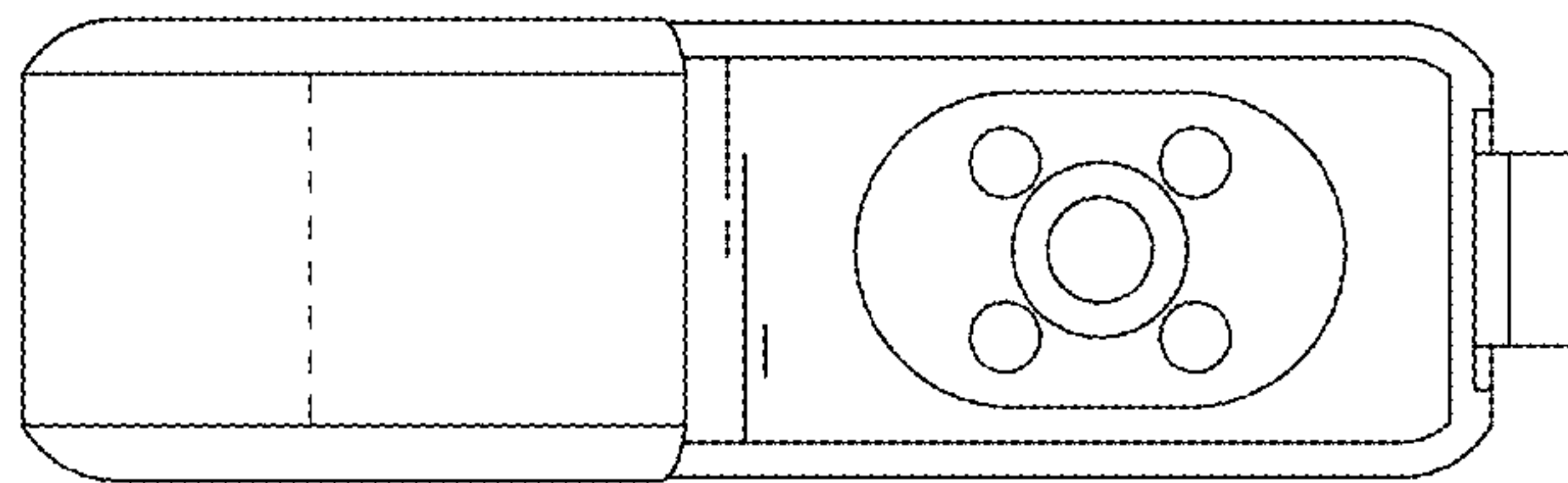


FIG. 2

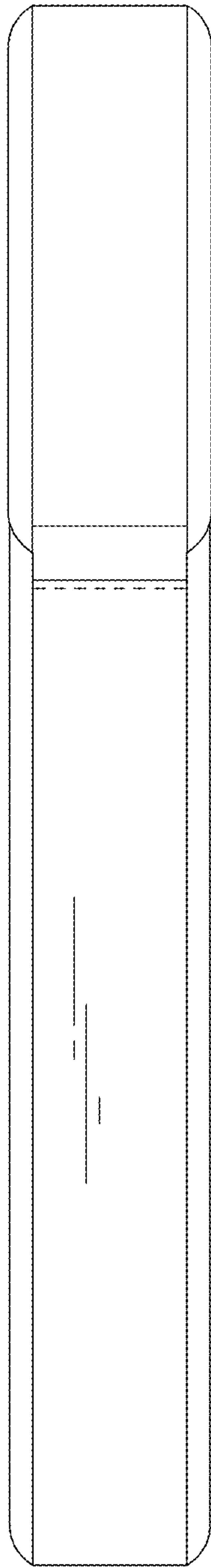


FIG. 3

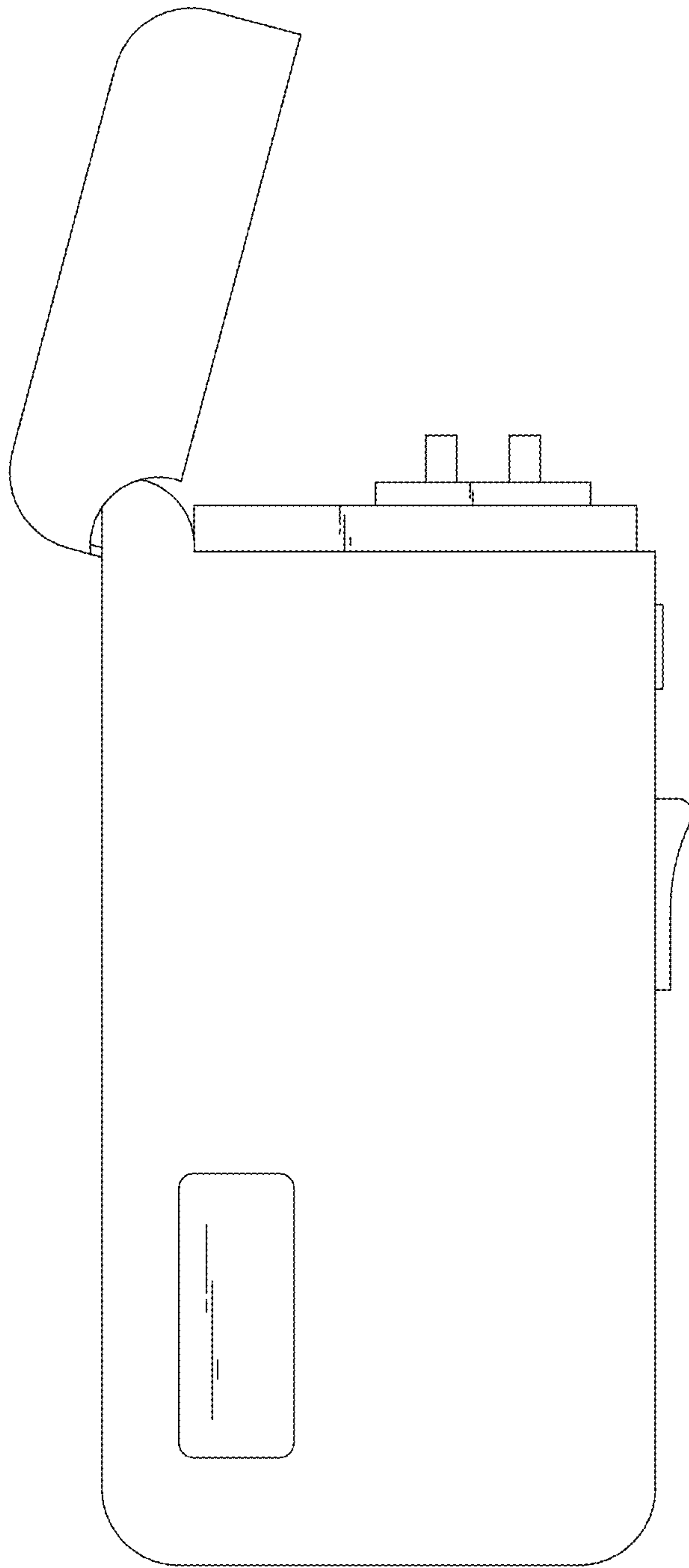


FIG. 4

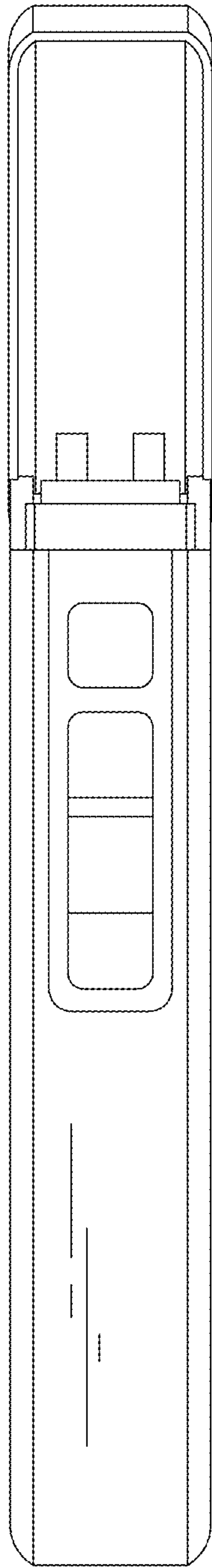


FIG. 5

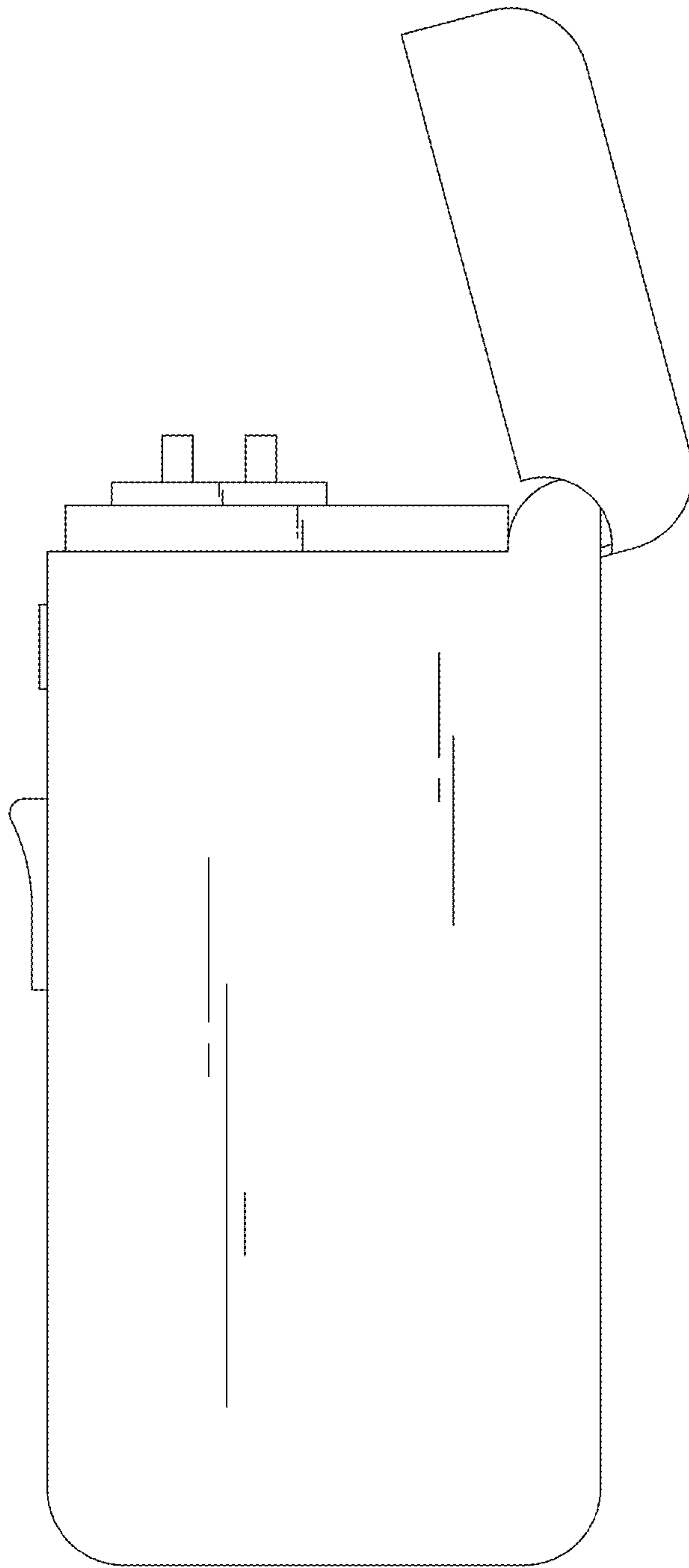


FIG. 6

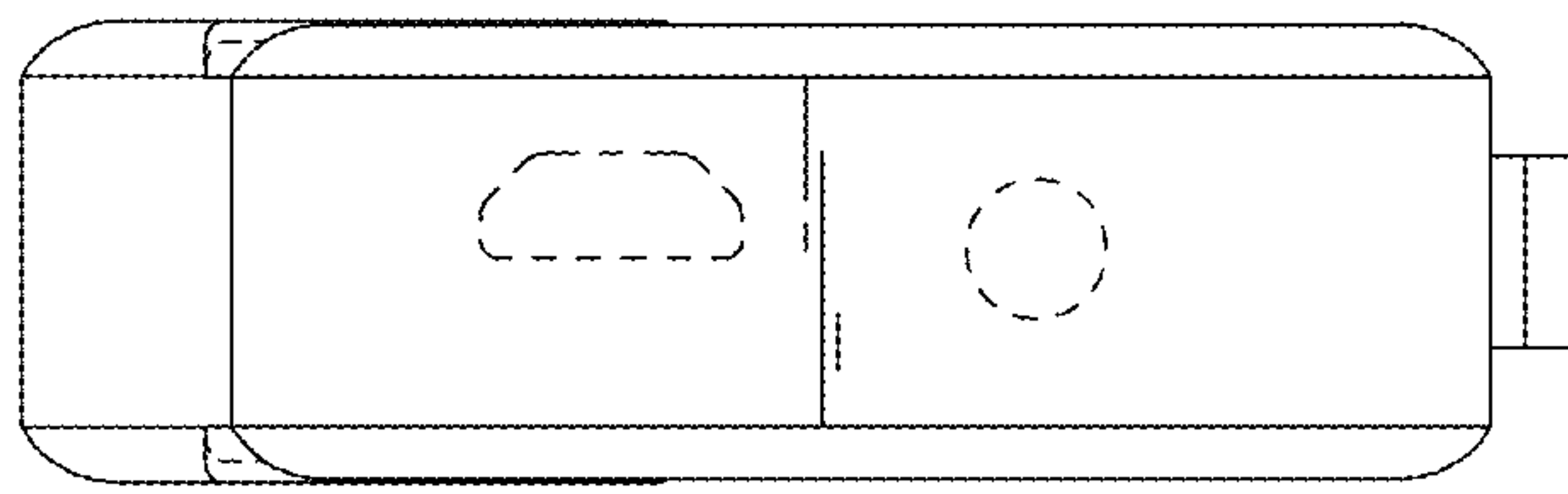


FIG. 7