



US00D966601S

(12) **United States Design Patent**
Leahy et al.

(10) **Patent No.:** **US D966,601 S**

(45) **Date of Patent:** **** Oct. 11, 2022**

- (54) **LIGHTING TRACK ADAPTER**
- (71) Applicant: **Lumenture, LLC**, Monroe, CT (US)
- (72) Inventors: **James D. Leahy**, Monroe, CT (US);
Andrew F. Sack, Monroe, CT (US)
- (73) Assignee: **Lumenture, Inc.**, Monroe, CT (US)
- (**) Term: **15 Years**
- (21) Appl. No.: **29/735,534**
- (22) Filed: **May 21, 2020**

- 4,181,388 A 1/1980 Donato
- 4,688,154 A 8/1987 Nilssen
- D321,410 S * 11/1991 Layne D26/138
- D377,840 S * 2/1997 Chang D26/63
- 5,788,518 A 8/1998 Wachter et al.
- 5,833,358 A 11/1998 Patik
- 5,855,485 A 1/1999 Patti
- 6,170,967 B1 1/2001 Usher et al.
- 6,203,339 B1 3/2001 Nieminen
- 6,244,733 B1 6/2001 Fong et al.
- D534,304 S * 12/2006 Mier-Langner D26/155
- 7,798,824 B2 9/2010 Fong
- D660,842 S * 5/2012 Kaluza D14/452

(Continued)

Related U.S. Application Data

- (63) Continuation-in-part of application No. 16/279,570, filed on Feb. 19, 2019, now Pat. No. 10,985,478.
- (51) **LOC (13) Cl.** **26-05**
- (52) **U.S. Cl.**
USPC **D26/138**
- (58) **Field of Classification Search**
USPC D26/6, 78-83, 85, 86, 88, 90, 93, 111,
D26/113, 118-122, 138, 139, 140, 141,
D26/142, 152; D13/110, 134, 135, 137.1,
D13/137.2
CPC F21S 2/00; F21S 4/00; F21S 4/003; F21S
4/005; F21S 4/006; F21S 4/007; F21S
4/008; F21S 6/00; F21S 8/00; F21S
8/024; F21S 8/026; F21S 8/031; F21S
8/033; F21S 8/035-037; F21S 8/04; F21S
8/043; F21S 8/063
See application file for complete search history.

References Cited

U.S. PATENT DOCUMENTS

- 1,096,440 A 12/1912 Lynch
- 1,401,820 A 12/1921 Sills
- 2,673,966 A 3/1954 Francis
- 3,585,564 A 6/1971 Skjervoll
- 3,680,030 A 7/1972 Johnson

OTHER PUBLICATIONS

Unonlytech track light adapter rail connector description from Amazon website, publication date unknown.

Primary Examiner — Natasha Vujcic

(74) *Attorney, Agent, or Firm* — Winthrop & Weinstine, P.A.

CLAIM

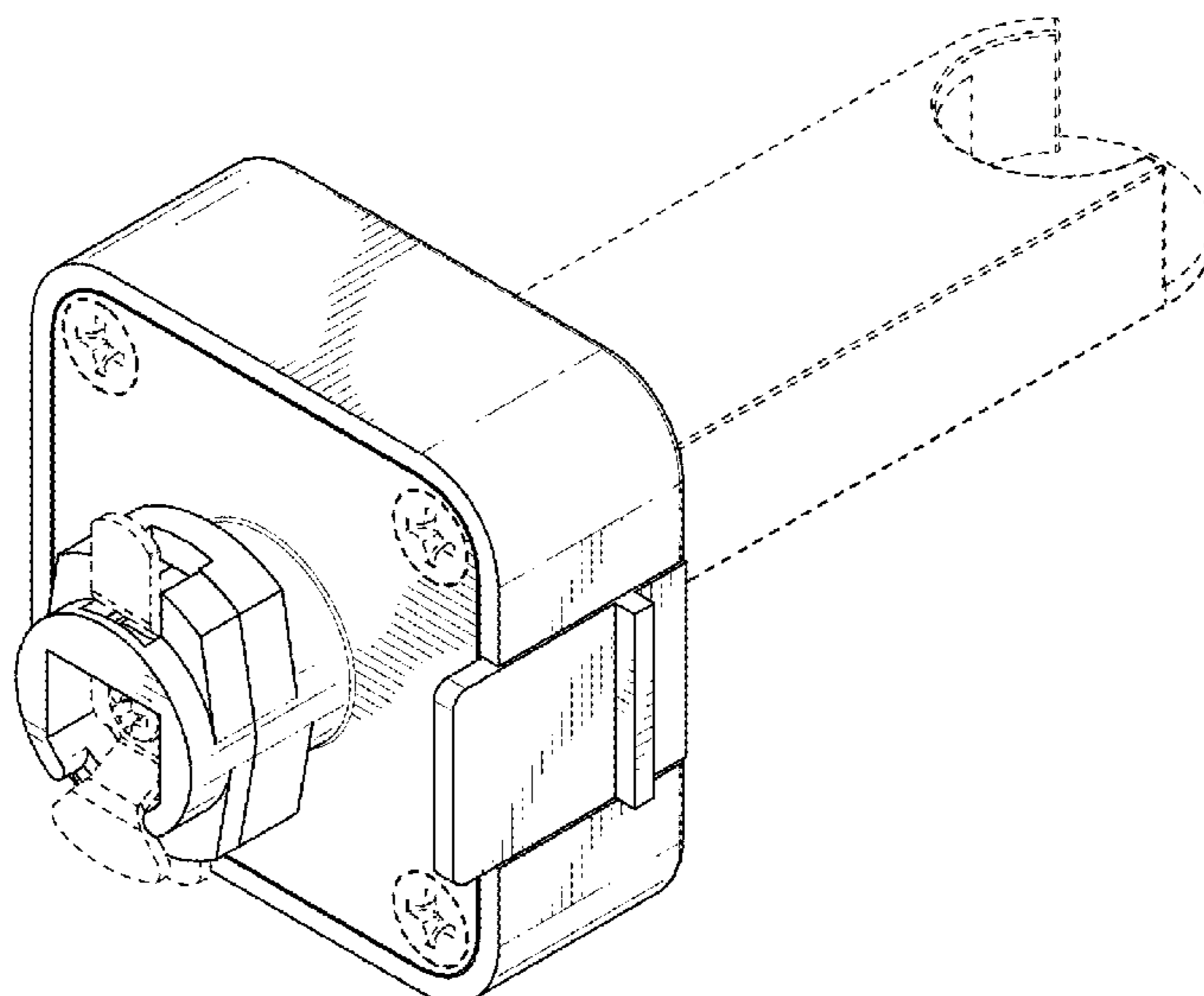
(57) The ornamental design for a lighting track adapter, as shown and described.

DESCRIPTION

FIG. 1 is a top isometric view of a lighting track adapter; FIG. 2 is a top view thereof; FIG. 3 is a bottom view thereof; FIG. 4 is a left side view thereof; FIG. 5 is a right side view thereof; FIG. 6 is a back view thereof; FIG. 7 is a front view thereof; and, FIG. 8 is a right side isometric view thereof showing relative placement of a luminaire.

The broken lines are included for the purpose of illustrating the portions of the lighting track adapter that form no part of the claimed design.

1 Claim, 8 Drawing Sheets



(56)

References Cited

U.S. PATENT DOCUMENTS

D669,433	S	*	10/2012	Lee	D13/110
D715,220	S	*	10/2014	Lin	D13/110
D715,221	S	*	10/2014	Lin	D13/110
D729,222	S	*	5/2015	Grziwok	D14/253
D745,663	S	*	12/2015	Chen	D24/112
D773,720	S	*	12/2016	Lin	D26/110
D774,246	S	*	12/2016	Lin	D26/138
9,739,460	B2		8/2017	Hauback		
D841,209	S	*	2/2019	Boyd	F21V 23/06 D26/62
D850,388	S	*	6/2019	Morita	D13/158
D871,641	S	*	12/2019	Becker	D26/63
D910,895	S	*	2/2021	Deurwaarder	D26/63
D945,966	S	*	3/2022	Shao	D13/110

* cited by examiner

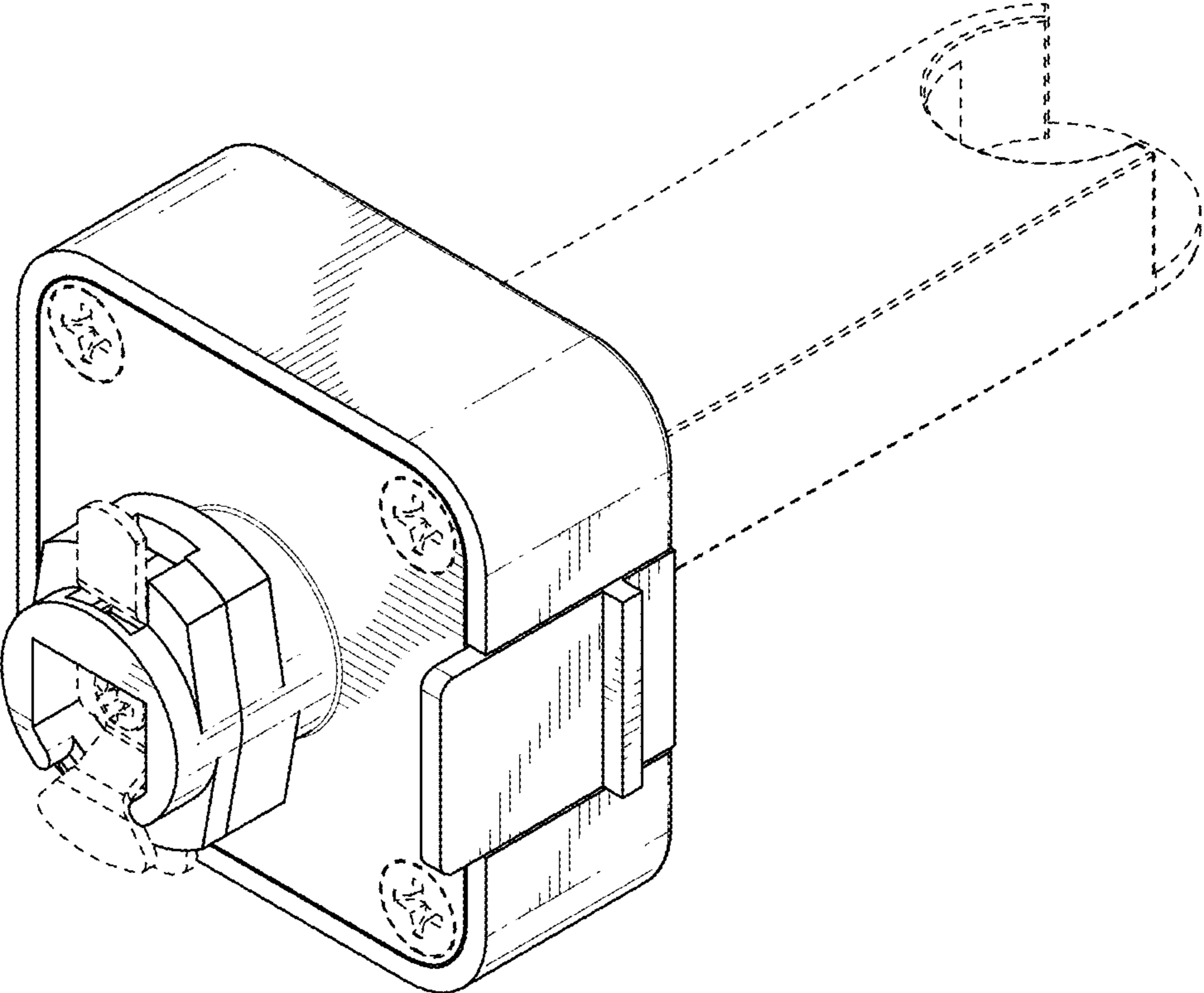


FIG. 1

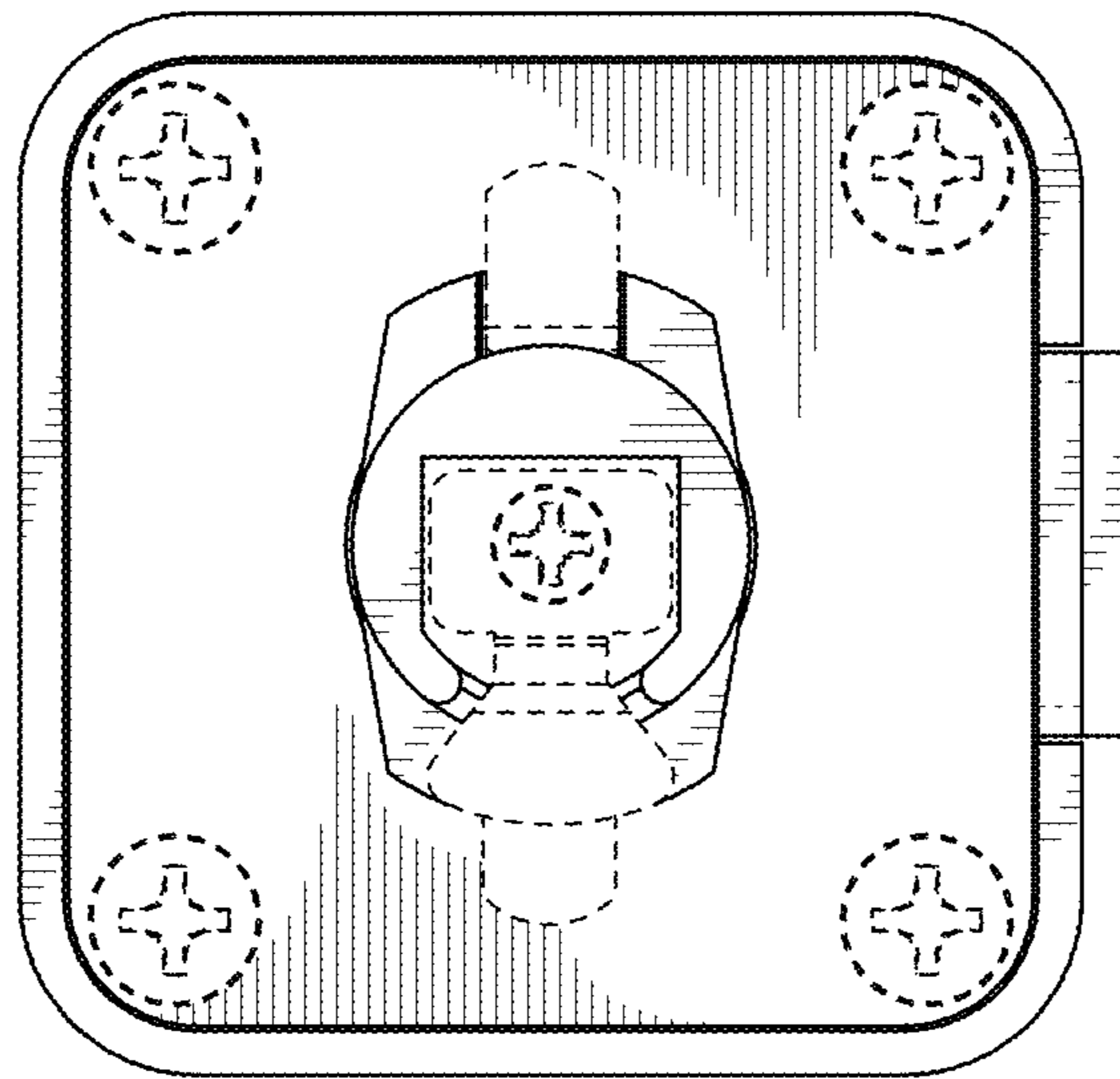


FIG. 2

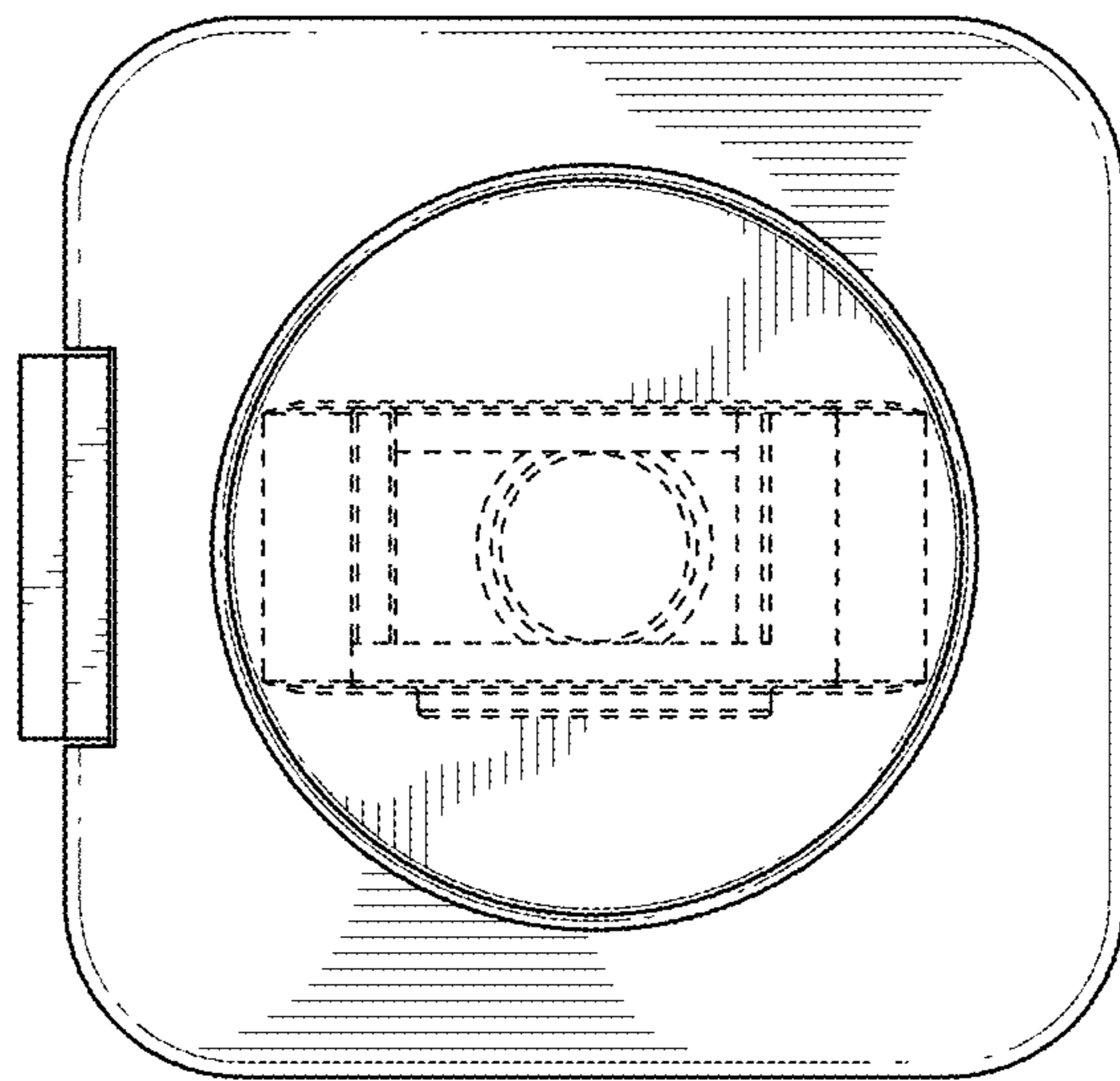


FIG. 3

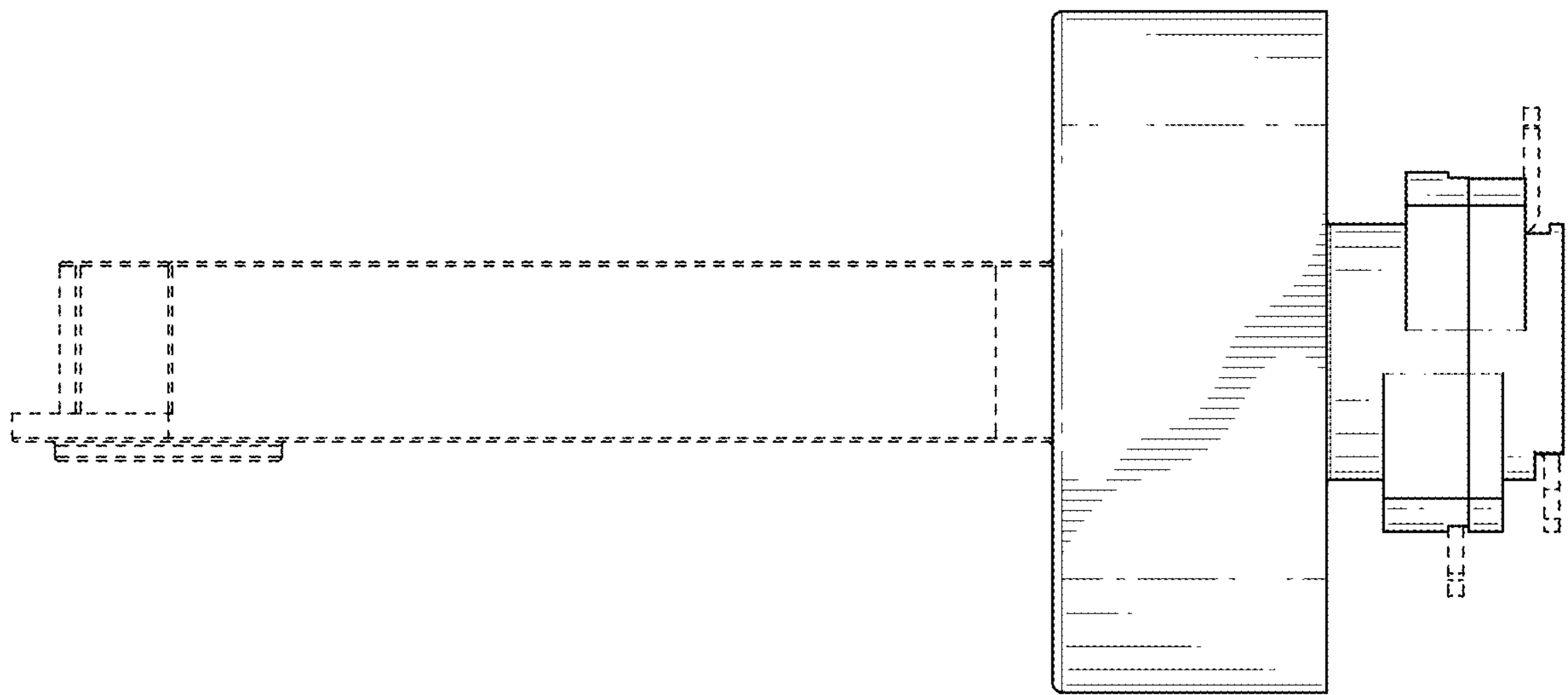


FIG. 4

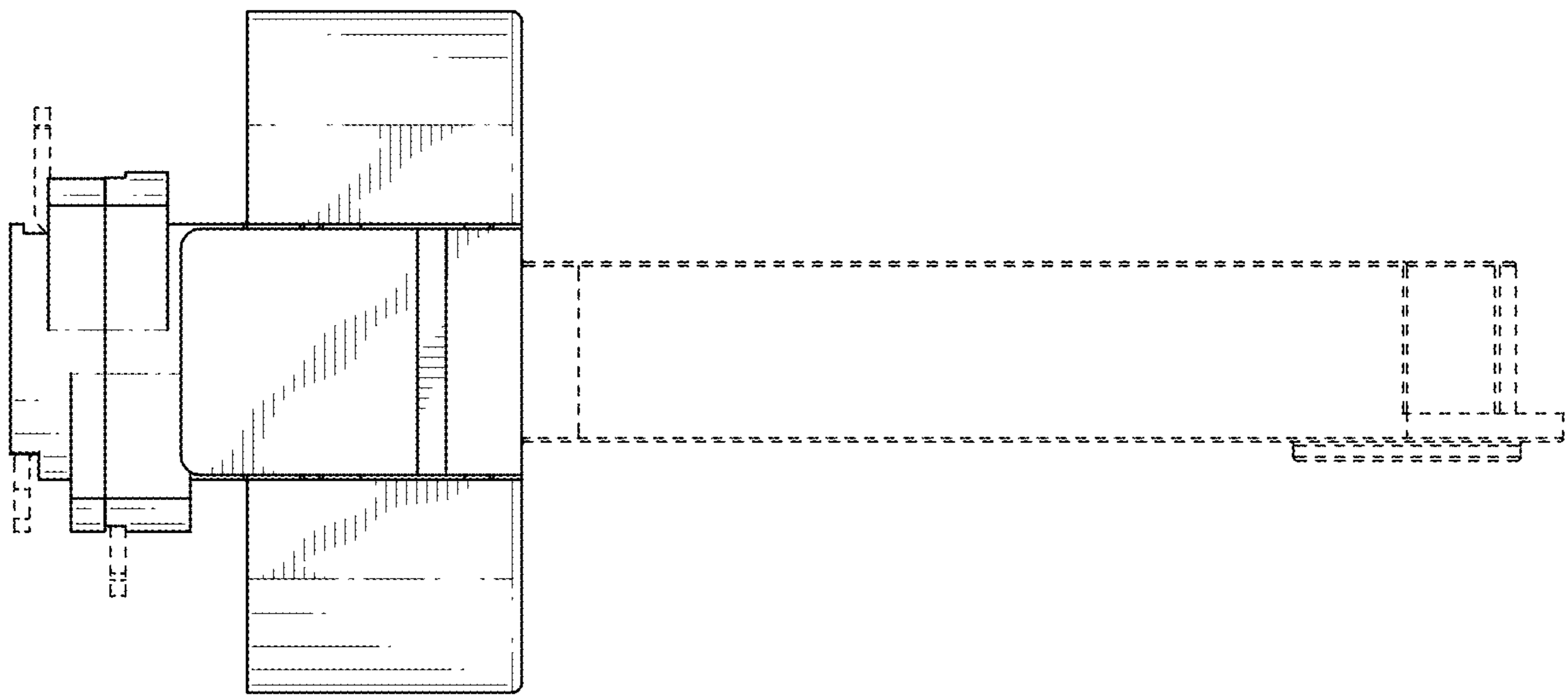


FIG. 5

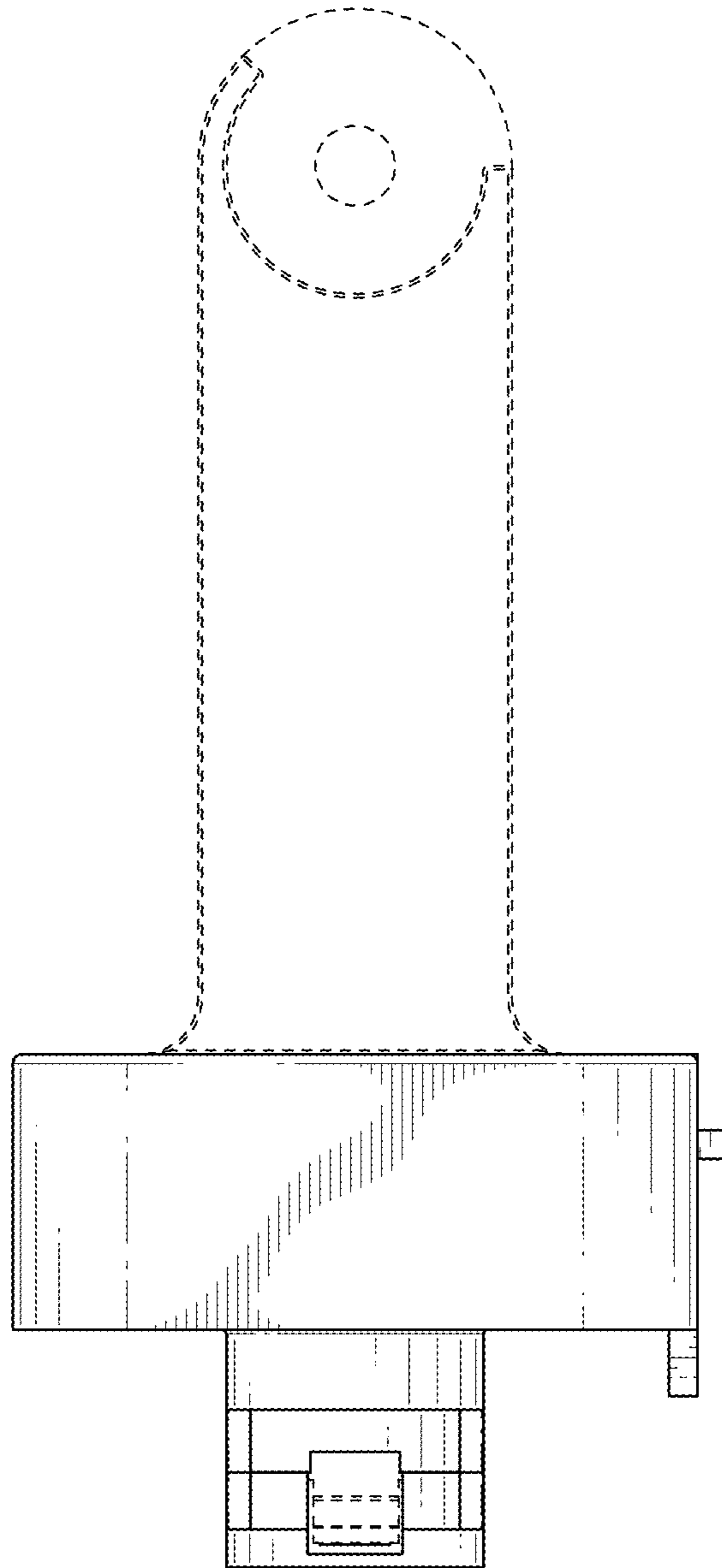


FIG. 6

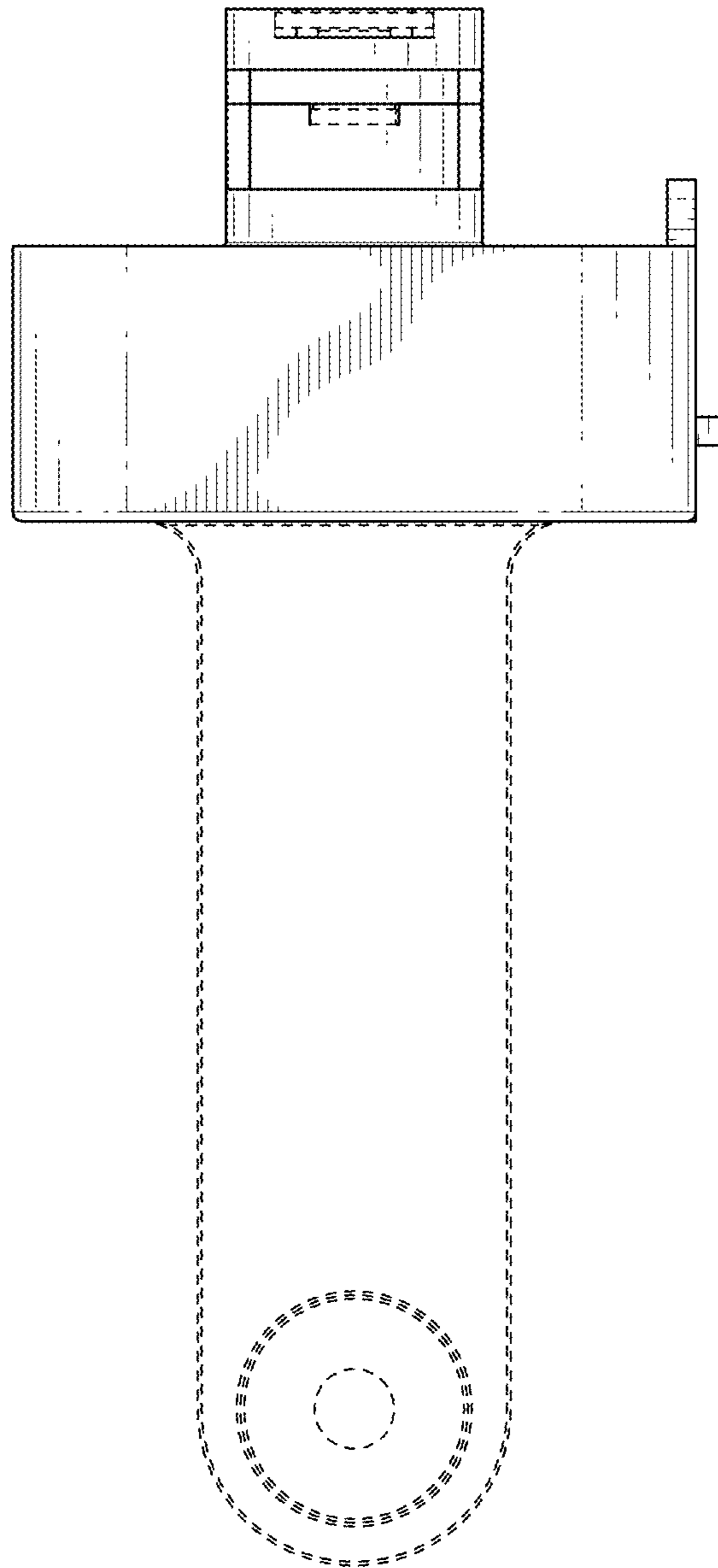


FIG. 7

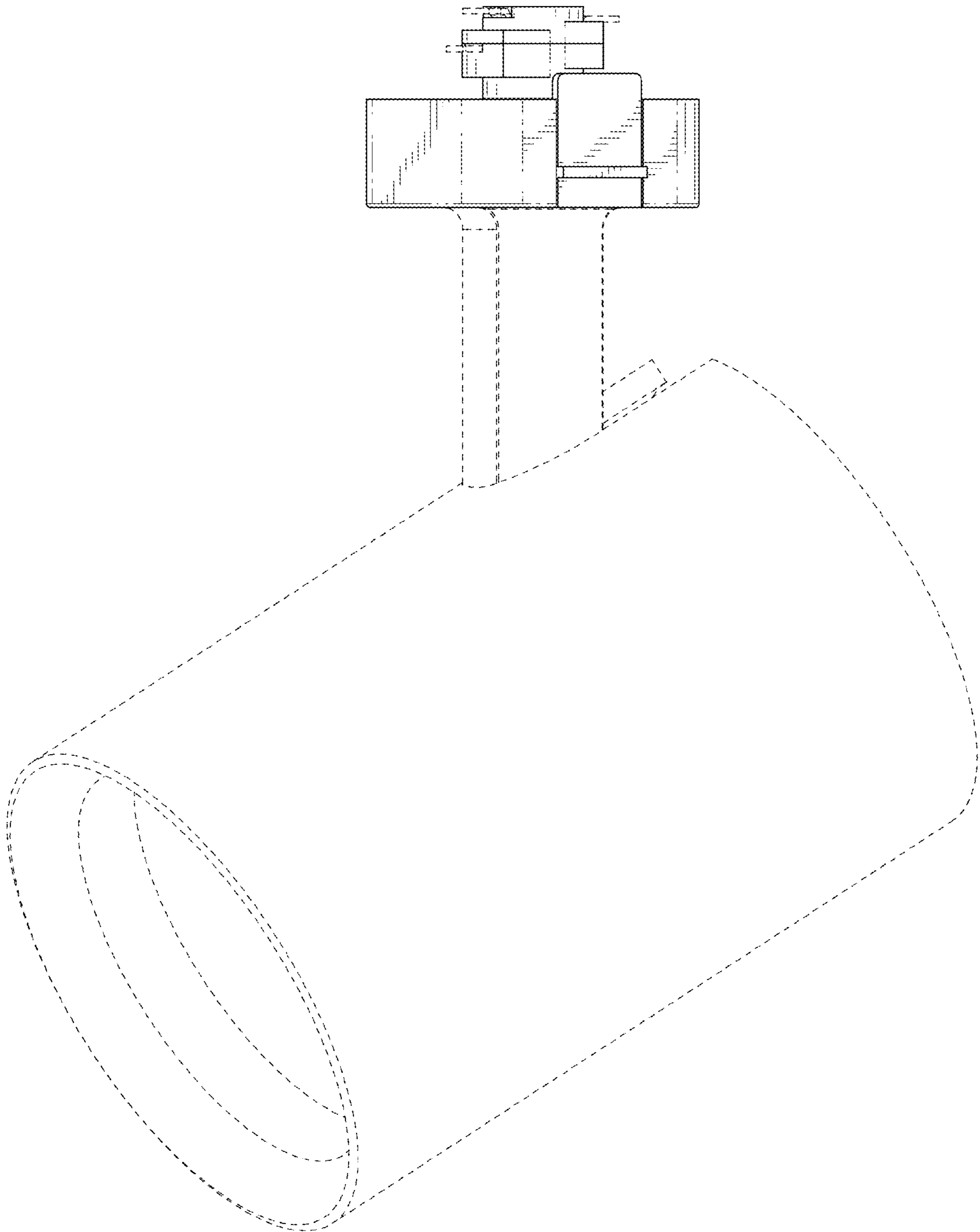


FIG.8