



US00D966599S

(12) **United States Design Patent**  
**Wang**

(10) **Patent No.:** **US D966,599 S**  
(45) **Date of Patent:** **\*\* Oct. 11, 2022**

- (54) **PROJECTION LAMP**
- (71) Applicant: **ShenZhen Shi Haoen Wangluo JiShu Limited company**, Shenzhen (CN)
- (72) Inventor: **Yang Wang**, Liling (CN)
- (\*\*) Term: **15 Years**
- (21) Appl. No.: **29/841,142**
- (22) Filed: **Jun. 3, 2022**
- (51) **LOC (13) Cl.** ..... **26-05**
- (52) **U.S. Cl.**  
USPC ..... **D26/98**
- (58) **Field of Classification Search**  
USPC ..... D26/93, 98-100, 102, 104, 106, 108;  
D21/428, 576  
CPC ..... F21V 3/00; F21V 5/007; F21W 2121/00;  
F21W 2131/30; F21S 6/00; F21S 10/06;  
F21S 10/00  
See application file for complete search history.

|              |        |      |       |         |
|--------------|--------|------|-------|---------|
| D889,730 S * | 7/2020 | Lin  | ..... | D26/110 |
| D891,683 S * | 7/2020 | Wei  | ..... | D26/106 |
| D914,957 S * | 3/2021 | Zeng | ..... | D26/110 |
| D923,237 S * | 6/2021 | Tan  | ..... | D26/98  |
| D925,099 S * | 7/2021 | Wei  | ..... | D26/106 |
| D943,800 S * | 2/2022 | Wang | ..... | D26/104 |
| D956,317 S * | 6/2022 | Ji   | ..... | D26/94  |

\* cited by examiner

*Primary Examiner* — Michael A. Pratt  
(74) *Attorney, Agent, or Firm* — Runit Ranjit Kanakia

(57) **CLAIM**

The ornamental design for a projection lamp, as shown and described.

**DESCRIPTION**

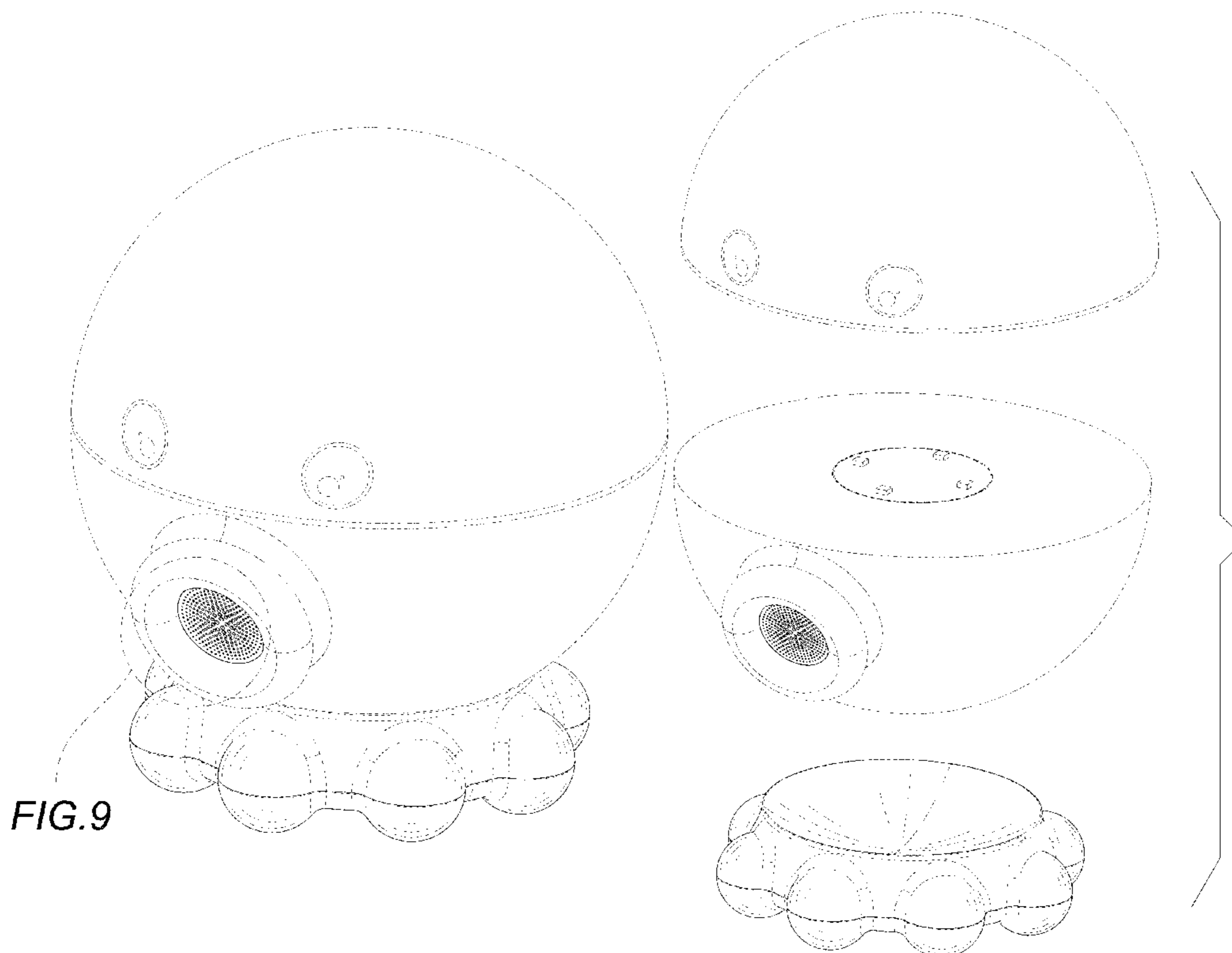
FIG. 1 is a perspective view of a projection lamp showing my new design;  
 FIG. 2 is another perspective view thereof;  
 FIG. 3 is a front elevational view thereof;  
 FIG. 4 is a rear elevational view thereof;  
 FIG. 5 is a left side view thereof;  
 FIG. 6 is a right side view thereof;  
 FIG. 7 is a top plan view thereof;  
 FIG. 8 is a bottom plan view thereof.  
 FIG. 9 is a partial enlarged view of FIG. 1; and,  
 FIG. 10 is a perspective view showing the projection lamp in an exploded state.  
 The broken lines in the figures are for the purposes of illustrating portions of the projection lamp, which form no part of the claimed design.

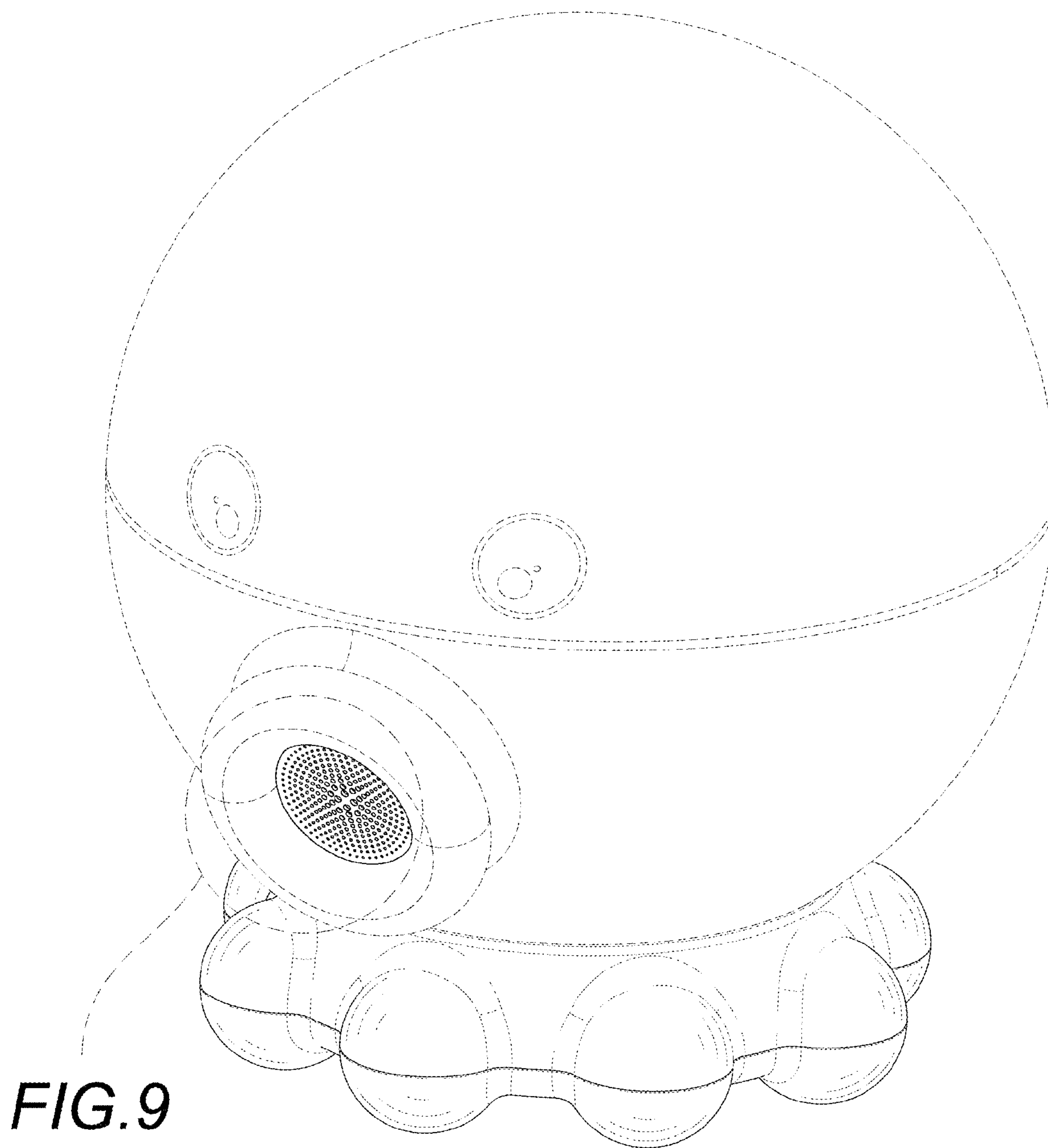
(56) **References Cited**

**U.S. PATENT DOCUMENTS**

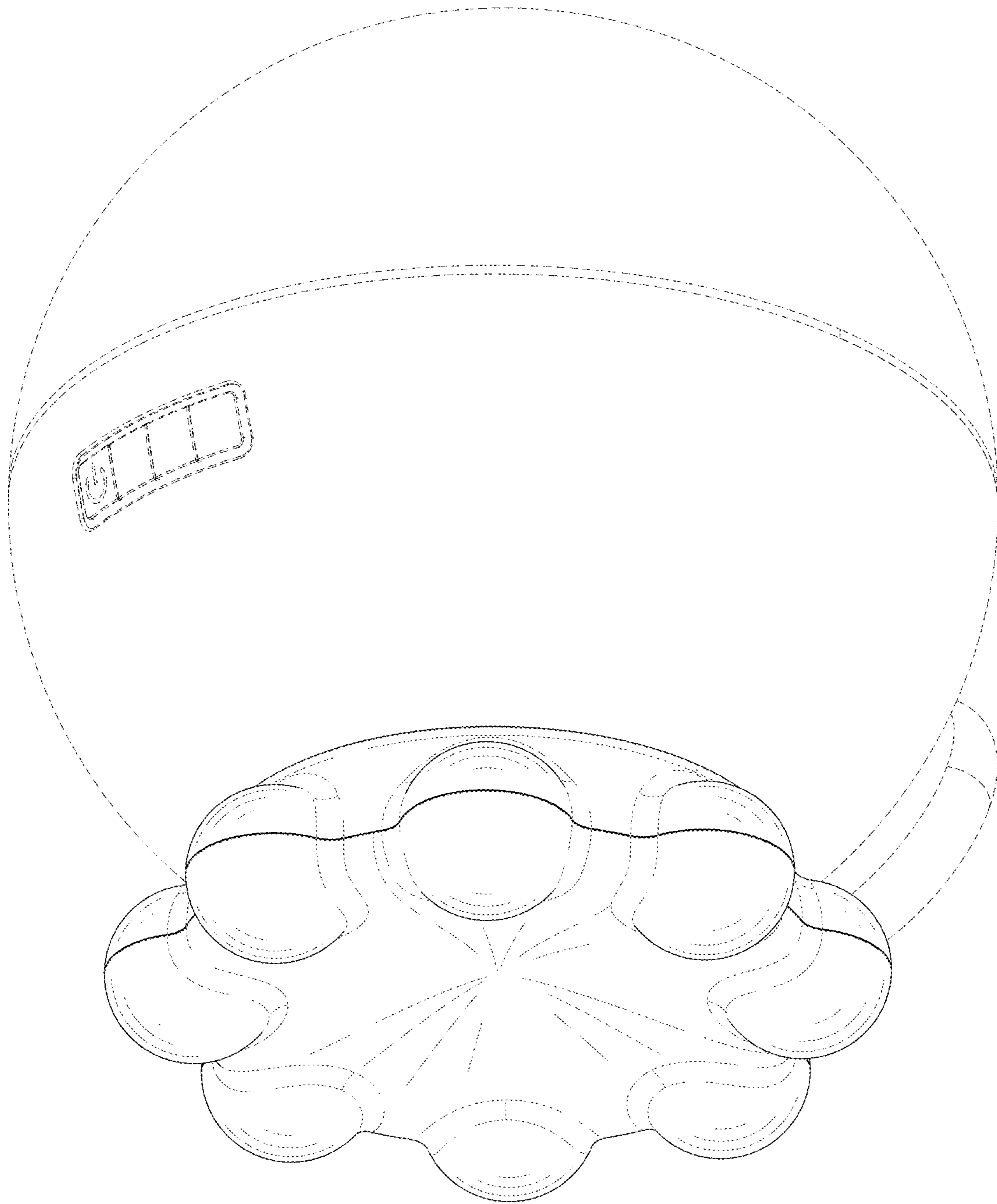
|              |         |         |       |         |
|--------------|---------|---------|-------|---------|
| D730,565 S * | 5/2015  | Johnson | ..... | D26/98  |
| D747,535 S * | 1/2016  | Johnson | ..... | D26/98  |
| D815,335 S   | 4/2018  | Lin     |       |         |
| D816,886 S   | 5/2018  | Lin     |       |         |
| D829,961 S * | 10/2018 | Lin     | ..... | D26/104 |
| D838,890 S * | 1/2019  | Xiong   | ..... | D26/63  |
| D854,226 S * | 7/2019  | Lin     | ..... | D26/104 |
| D858,861 S * | 9/2019  | Lin     | ..... | D26/108 |

**1 Claim, 10 Drawing Sheets**

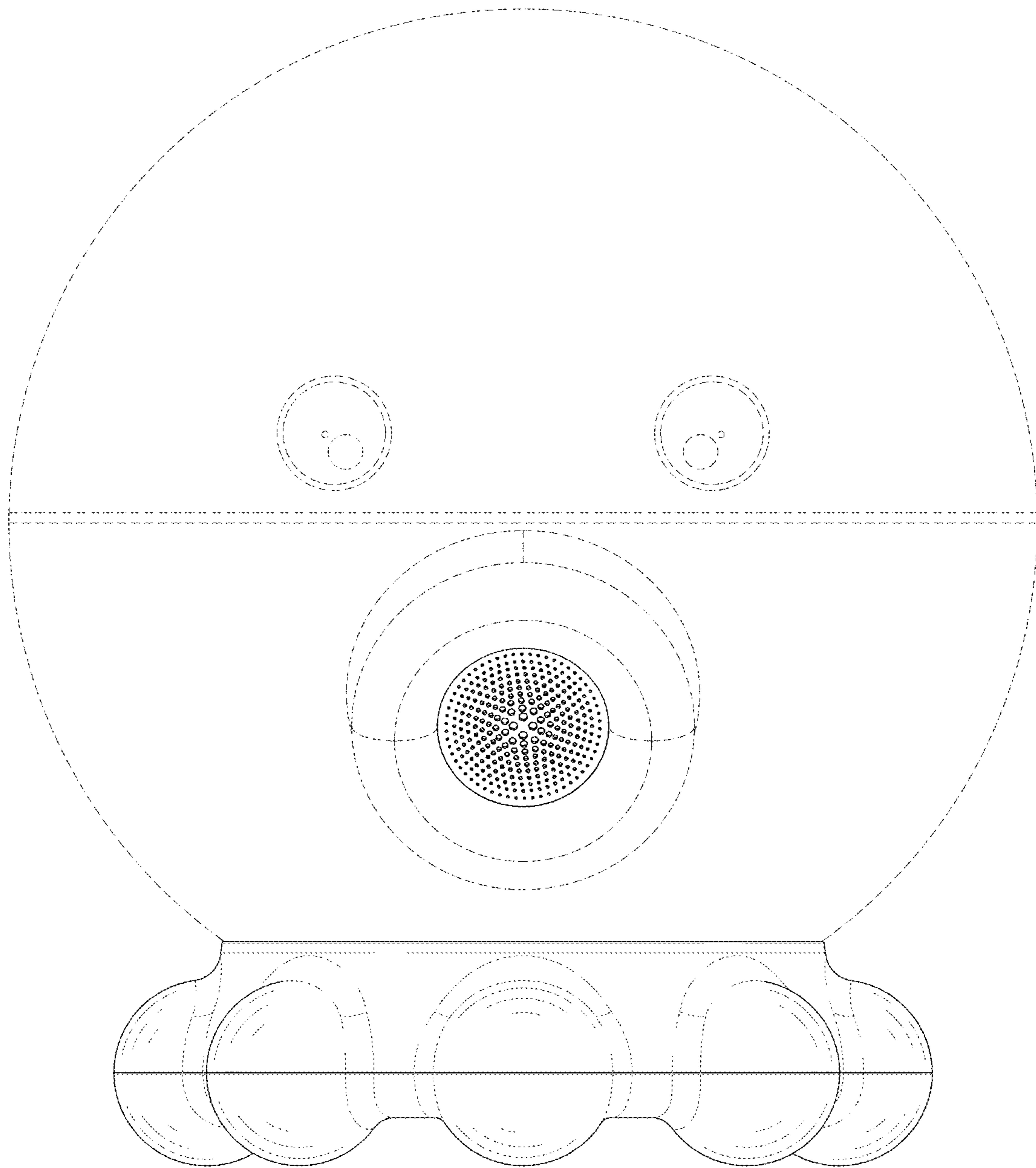




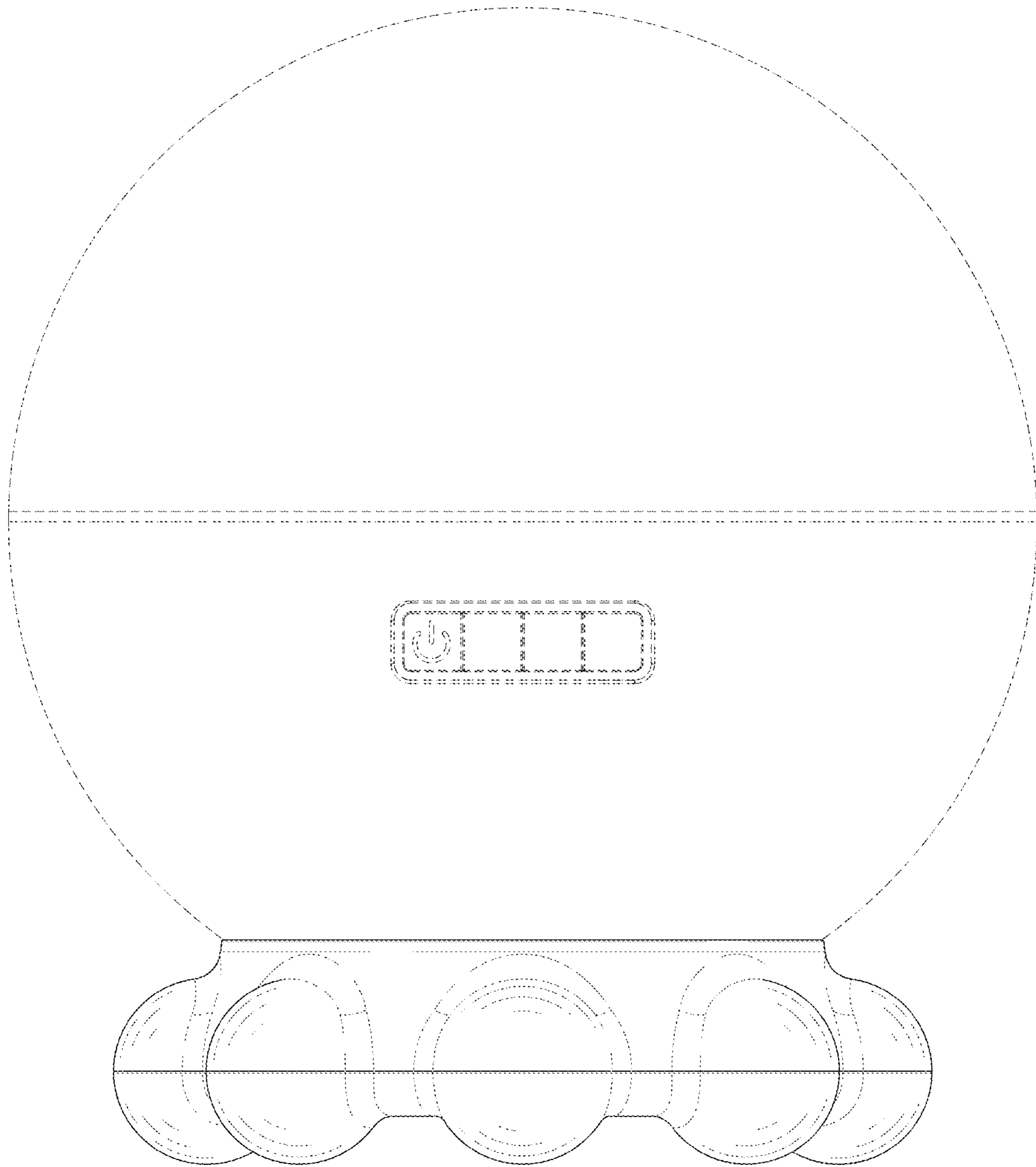
**FIG. 1**



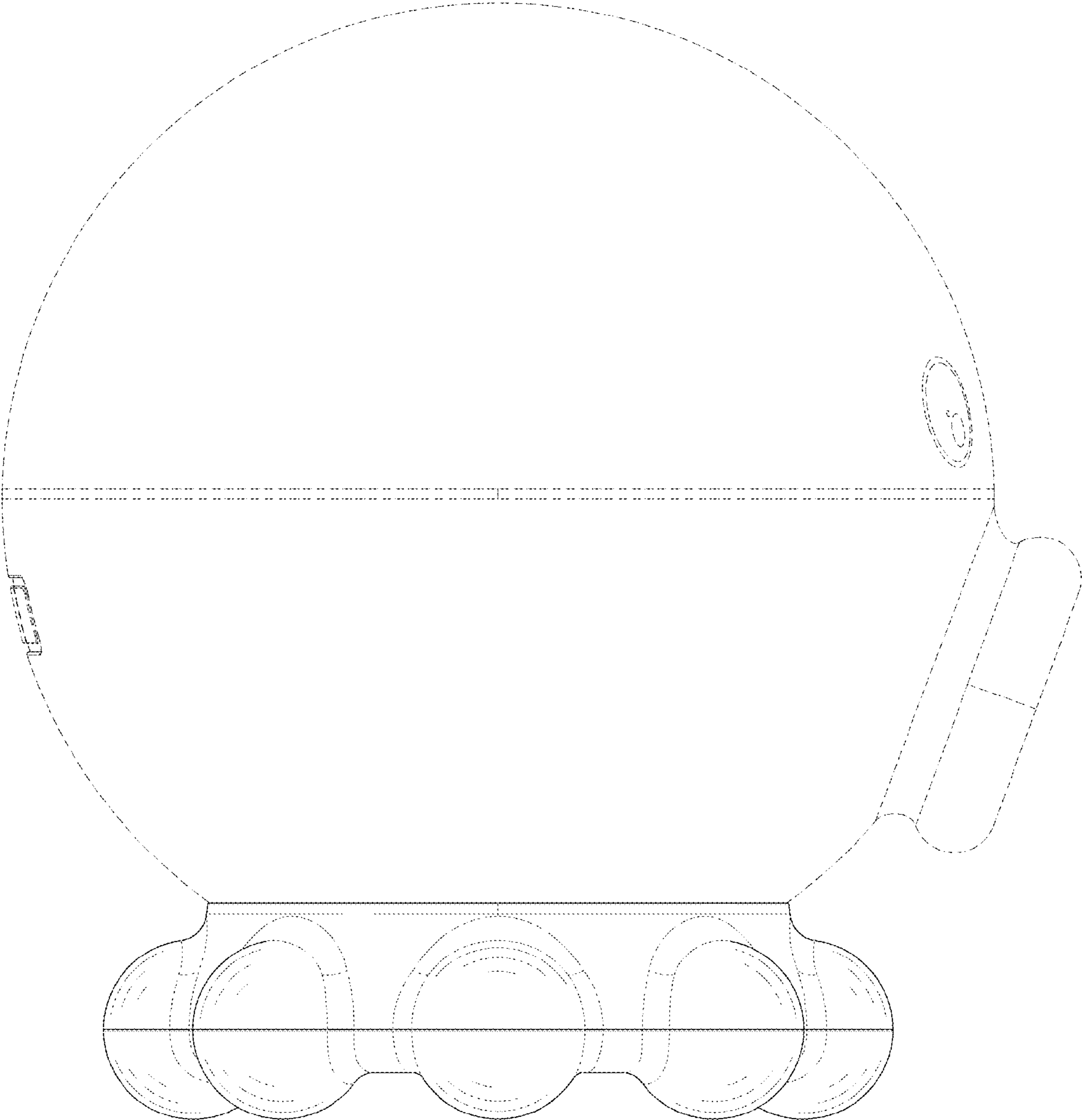
**FIG. 2**



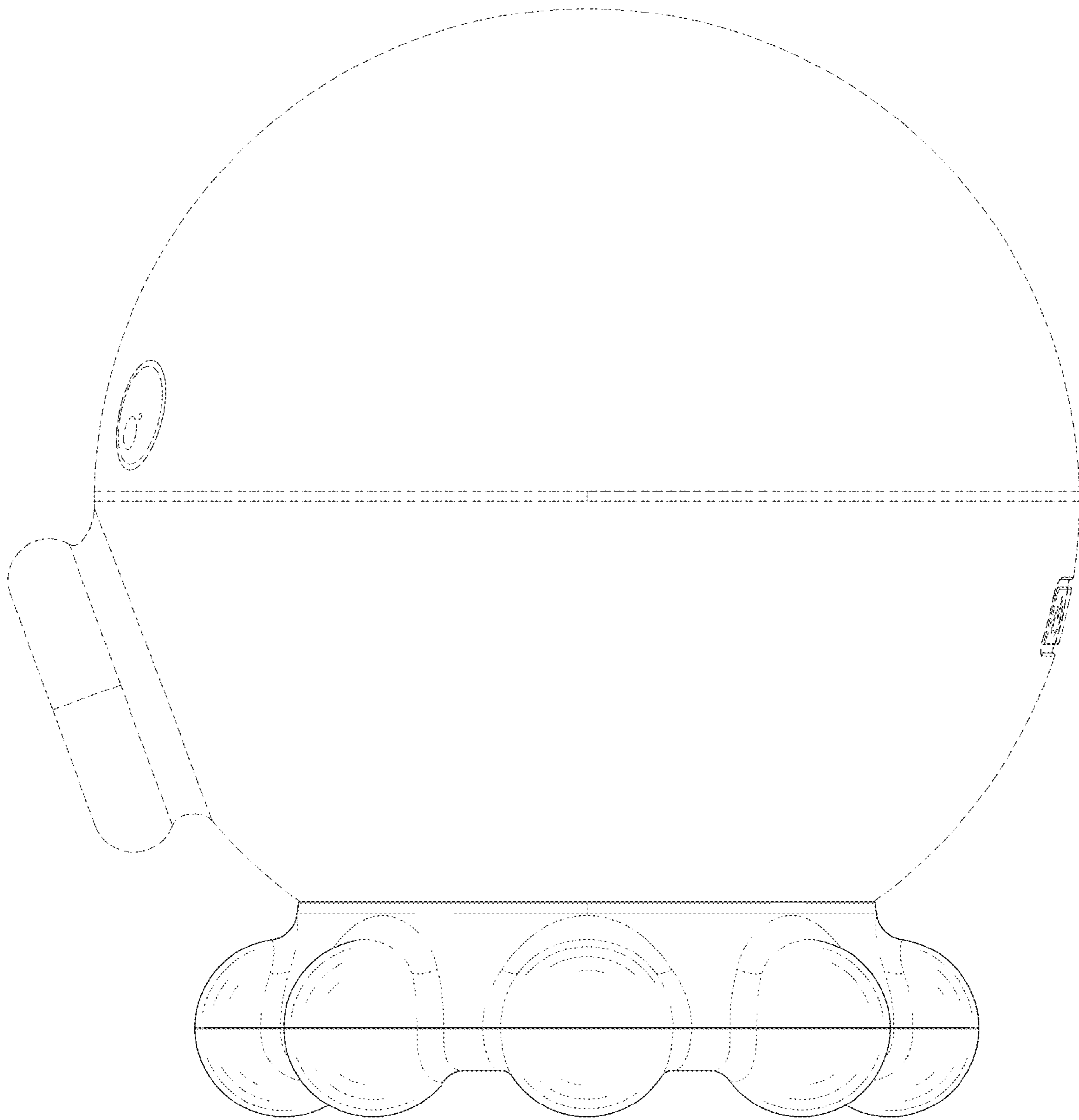
**FIG. 3**



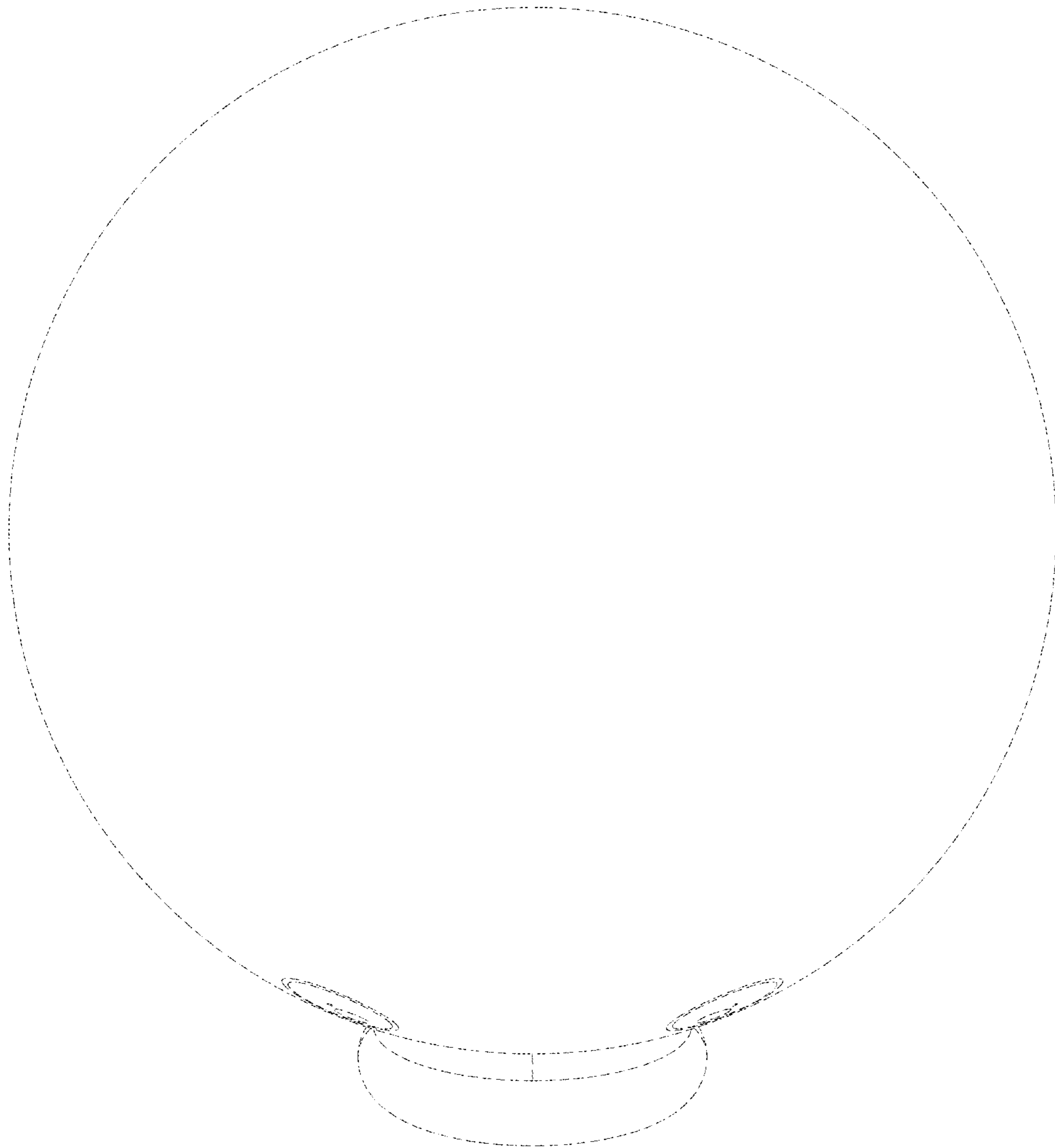
**FIG. 4**



**FIG. 5**

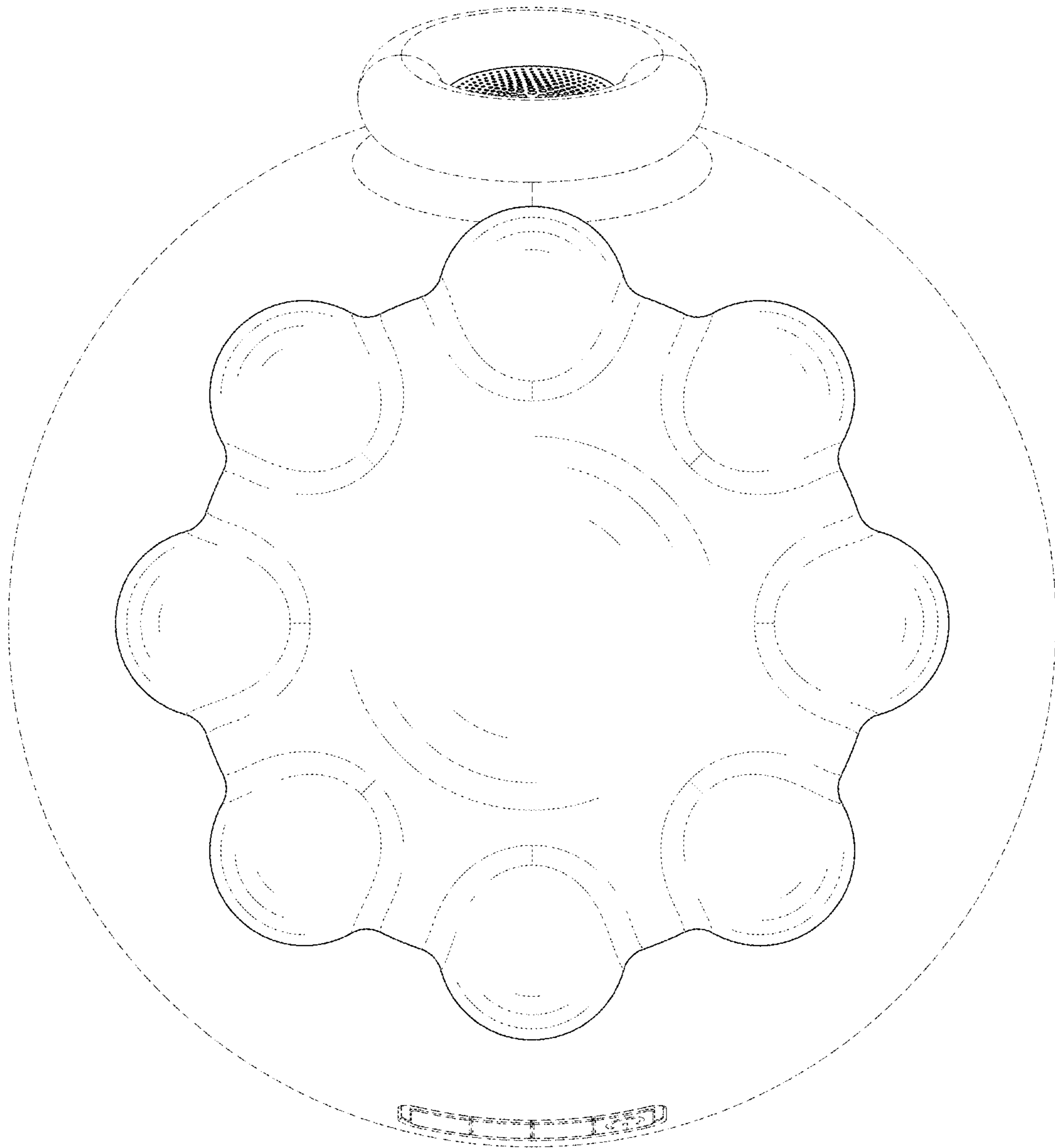


**FIG. 6**

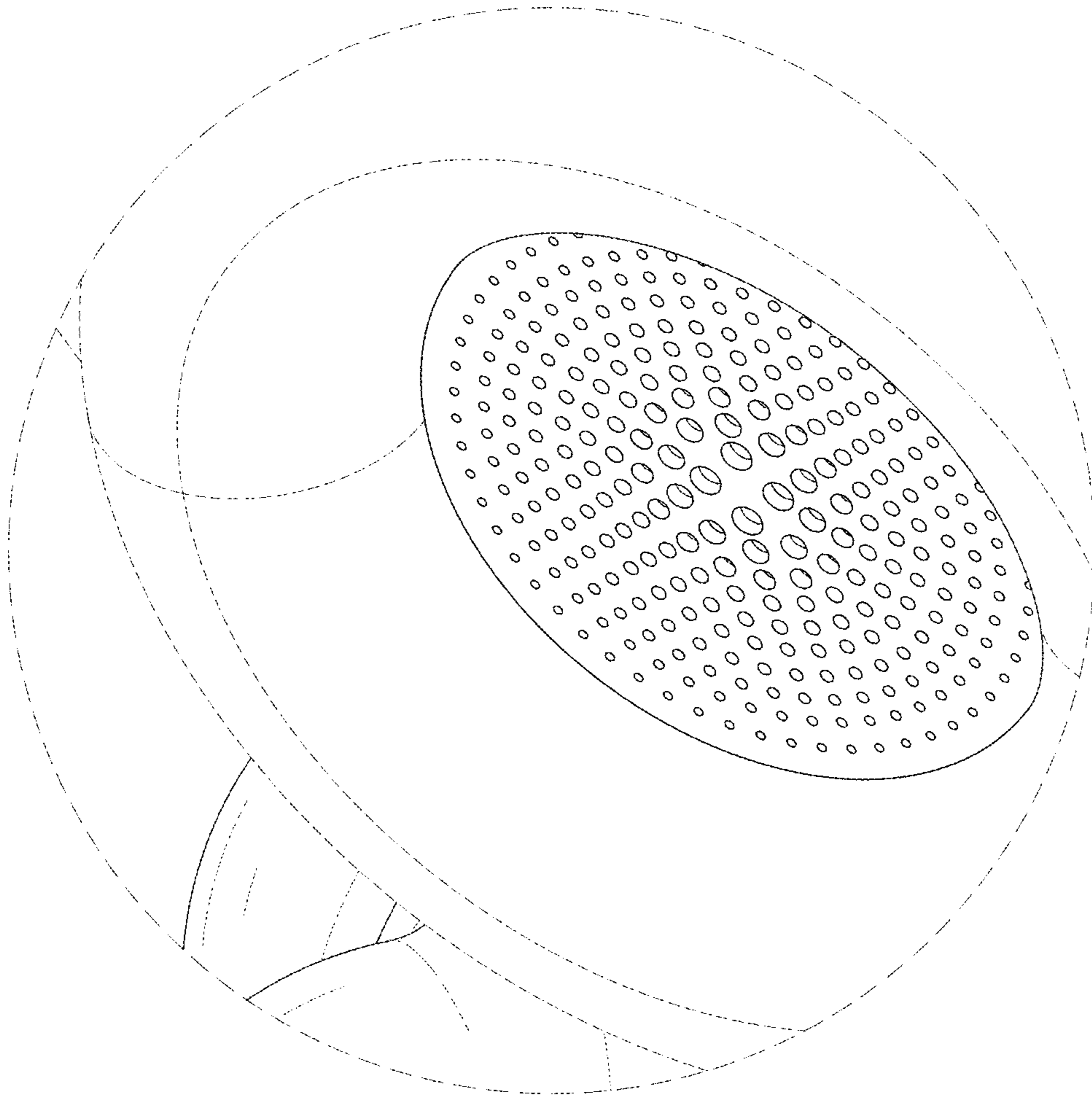


***FIG. 7***

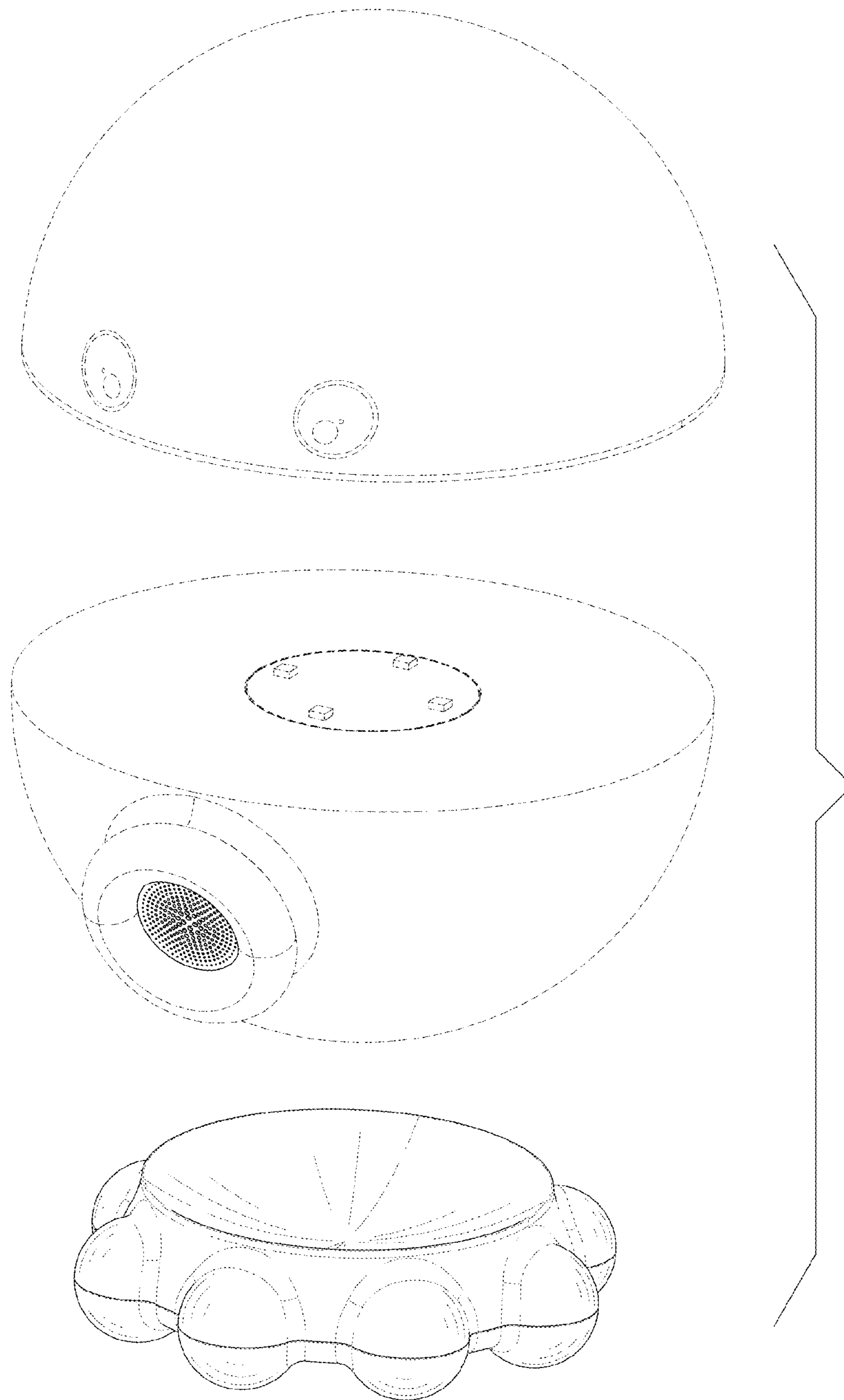




**FIG. 8**



**FIG. 9**



**FIG. 10**