

US00D966598S

(12) **United States Design Patent** (10) **Patent No.:** **US D966,598 S**
Tsai (45) **Date of Patent:** **** Oct. 11, 2022**

(54) **LAMP**
(71) Applicant: **Tsung-Han Tsai**, New Taipei (TW)
(72) Inventor: **Tsung-Han Tsai**, New Taipei (TW)
(**) Term: **15 Years**
(21) Appl. No.: **29/735,603**
(22) Filed: **May 22, 2020**
(51) **LOC (13) Cl.** **26-05**
(52) **U.S. Cl.**
USPC **D26/94**
(58) **Field of Classification Search**
USPC D26/24, 51, 56, 61, 63, 64, 65, 93, 94,
D26/100, 106, 107, 110, 142
CPC F21S 6/00; F21S 6/002; F21S 6/003; F21S
6/004; F21S 6/005; F21S 6/006; F21S
8/036; F21V 21/06; F21V 21/14; F21V
21/26; F21V 21/30; F21V 12/01
See application file for complete search history.

(56) **References Cited**
U.S. PATENT DOCUMENTS
D289,441 S * 4/1987 Manton D26/110
D289,560 S * 4/1987 Manton D26/110
D353,908 S * 12/1994 Drucker D26/110
D482,155 S * 11/2003 Lo D26/110
D587,397 S * 2/2009 Salatto-Rose D26/142
D587,398 S * 2/2009 Salatto-Rose D26/142

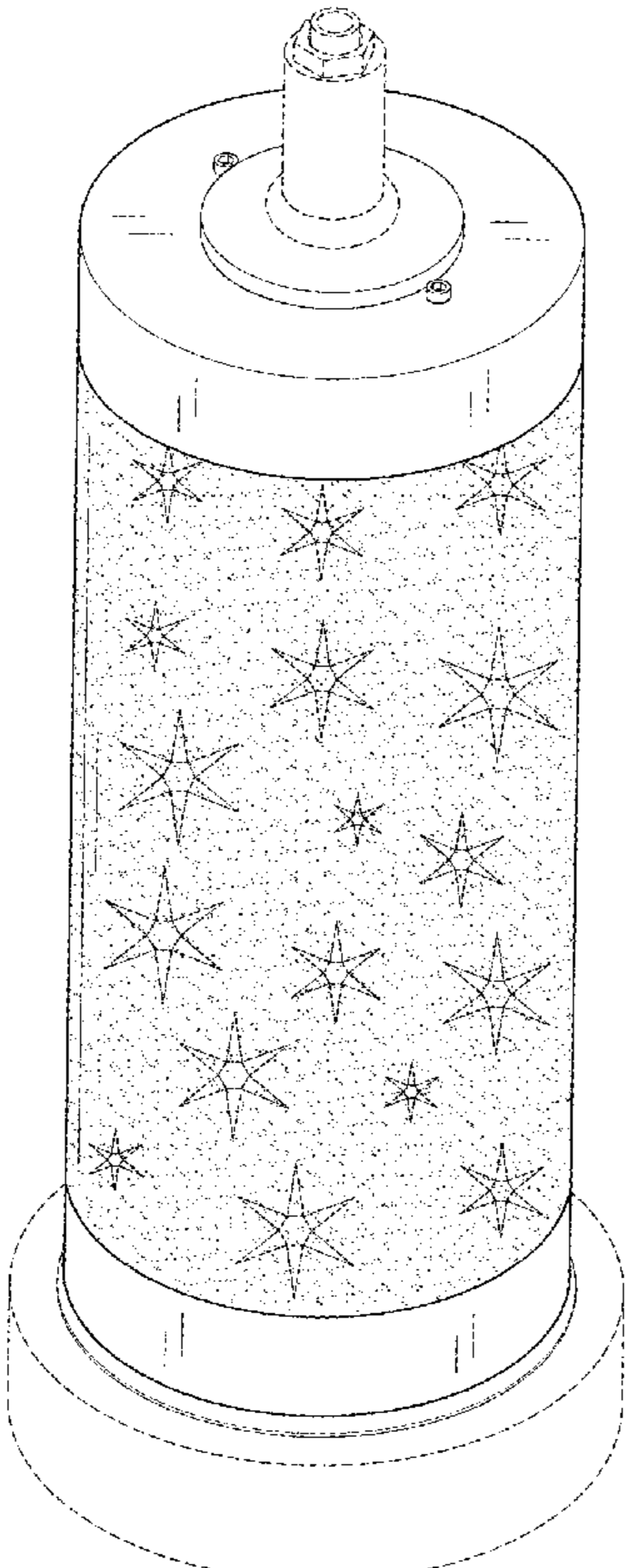
D673,725 S * 1/2013 Cartwright D26/142
D673,726 S * 1/2013 Cartwright D26/142
D718,896 S * 12/2014 Foley D26/93
D777,371 S * 1/2017 Yang D26/142
D803,462 S * 11/2017 Couckhuyt D26/93
D939,132 S * 12/2021 Velez D26/110

* cited by examiner
Primary Examiner — Wan Laymon
Assistant Examiner — Clint A Samuel
(74) *Attorney, Agent, or Firm* — Rosenberg, Klein & Lee

(57) **CLAIM**
The ornamental design for a lamp, as shown and described.
DESCRIPTION

FIG. 1 is a perspective view of a lamp showing my new design;
FIG. 2 is a front elevation view thereof; and the rear elevation view is identical;
FIG. 3 is a left elevation side view thereof; and the right elevation side view is identical;
FIG. 4 is a top plan view thereof;
FIG. 5 is a bottom plan view thereof;
FIG. 6 is a practical application view thereof on a lamp base with a lampshade thereon, while turned on; and,
FIG. 7 is a practical application view thereof on a lamp base with a lampshade thereon, while turned off.
The broken lines showing in the drawings are for the purpose of illustrating portions of the lamp and form no part of the claimed design.

1 Claim, 6 Drawing Sheets



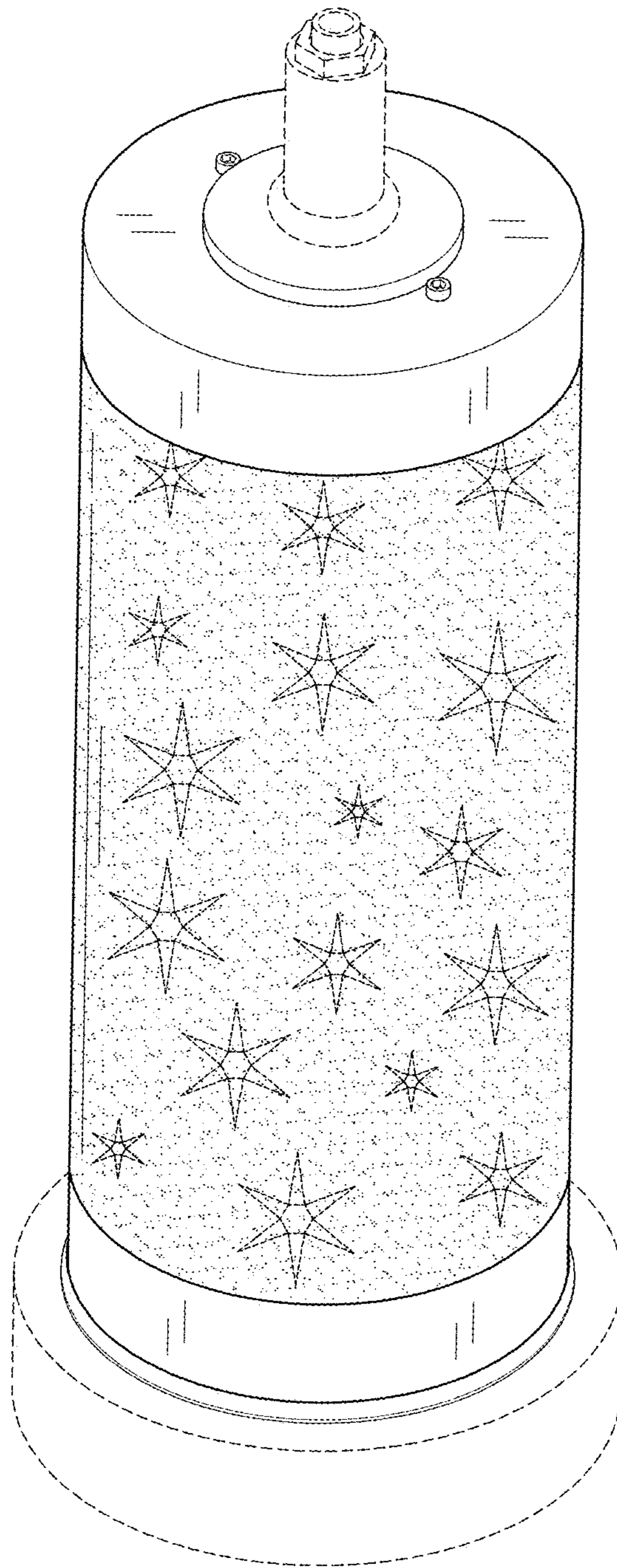


FIG.1

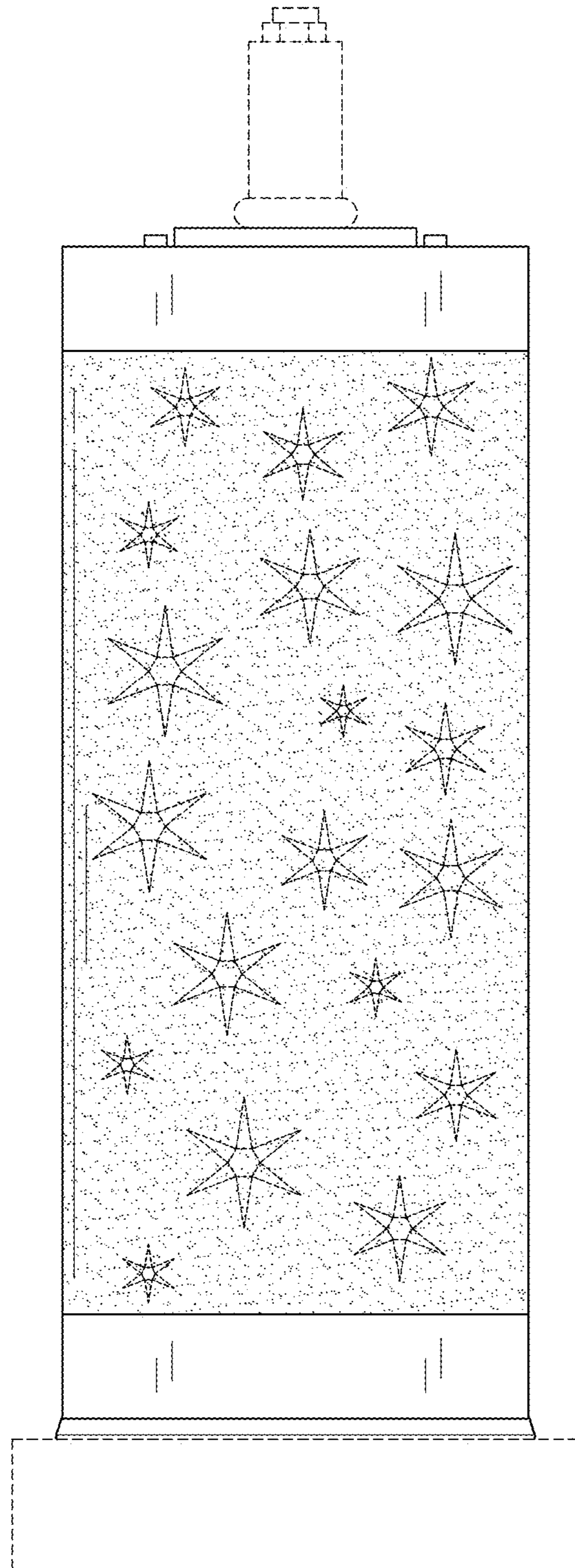


FIG.2

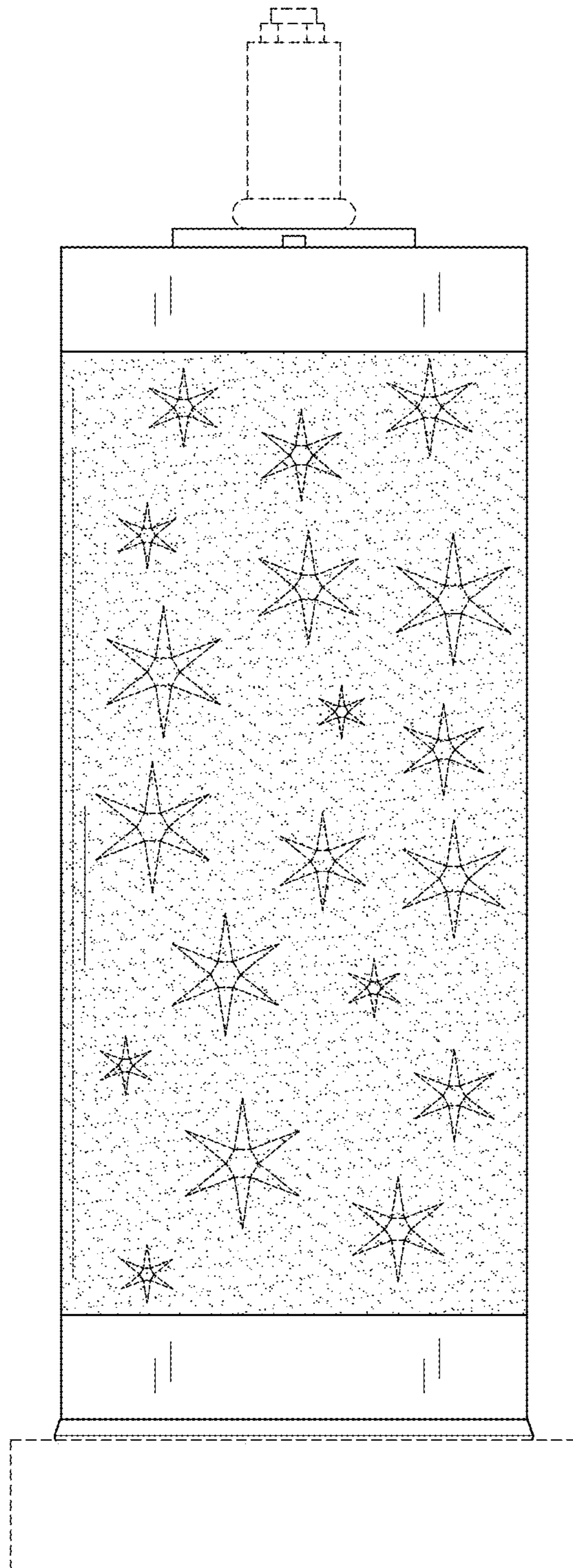


FIG.3

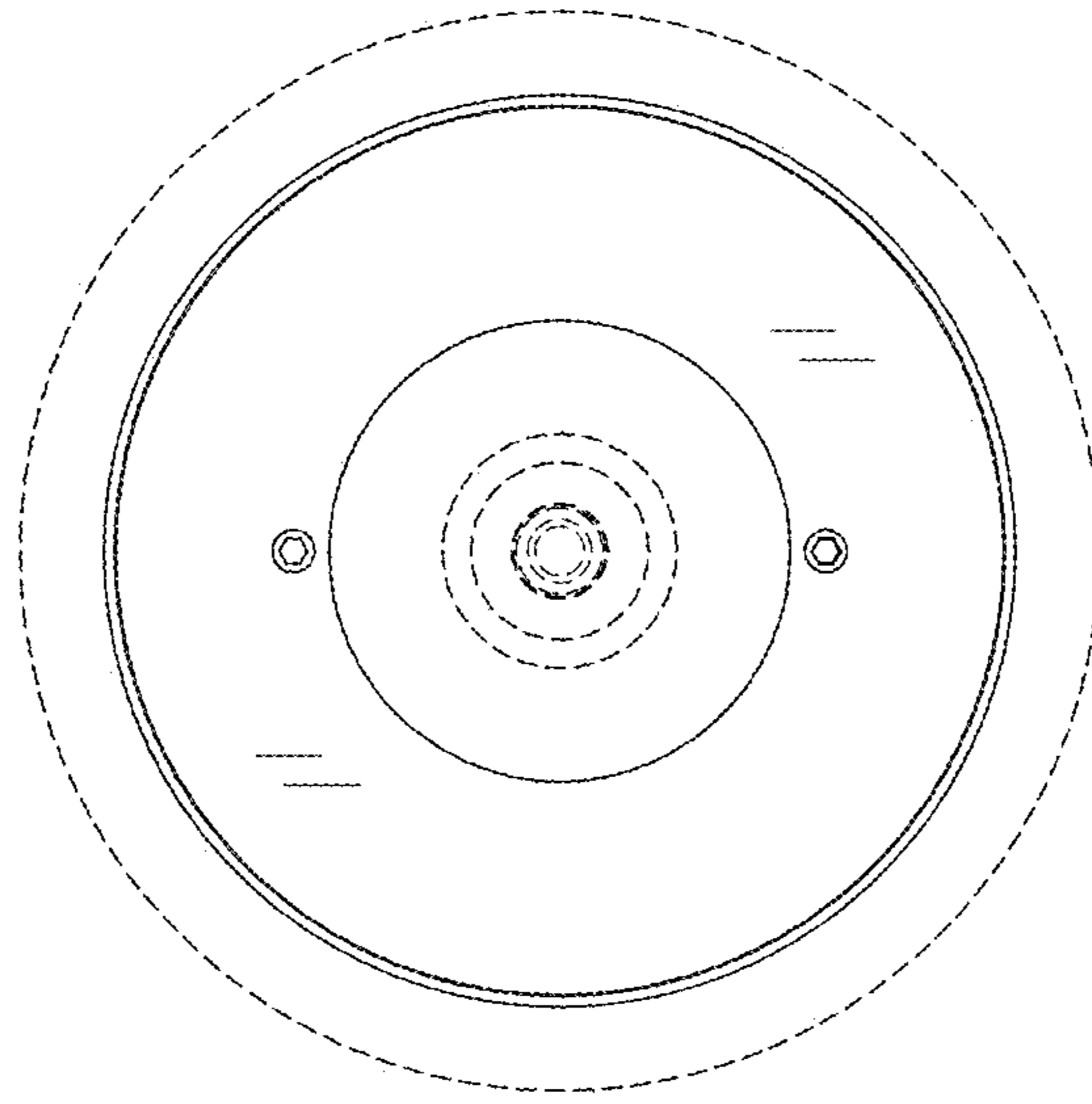


FIG.4

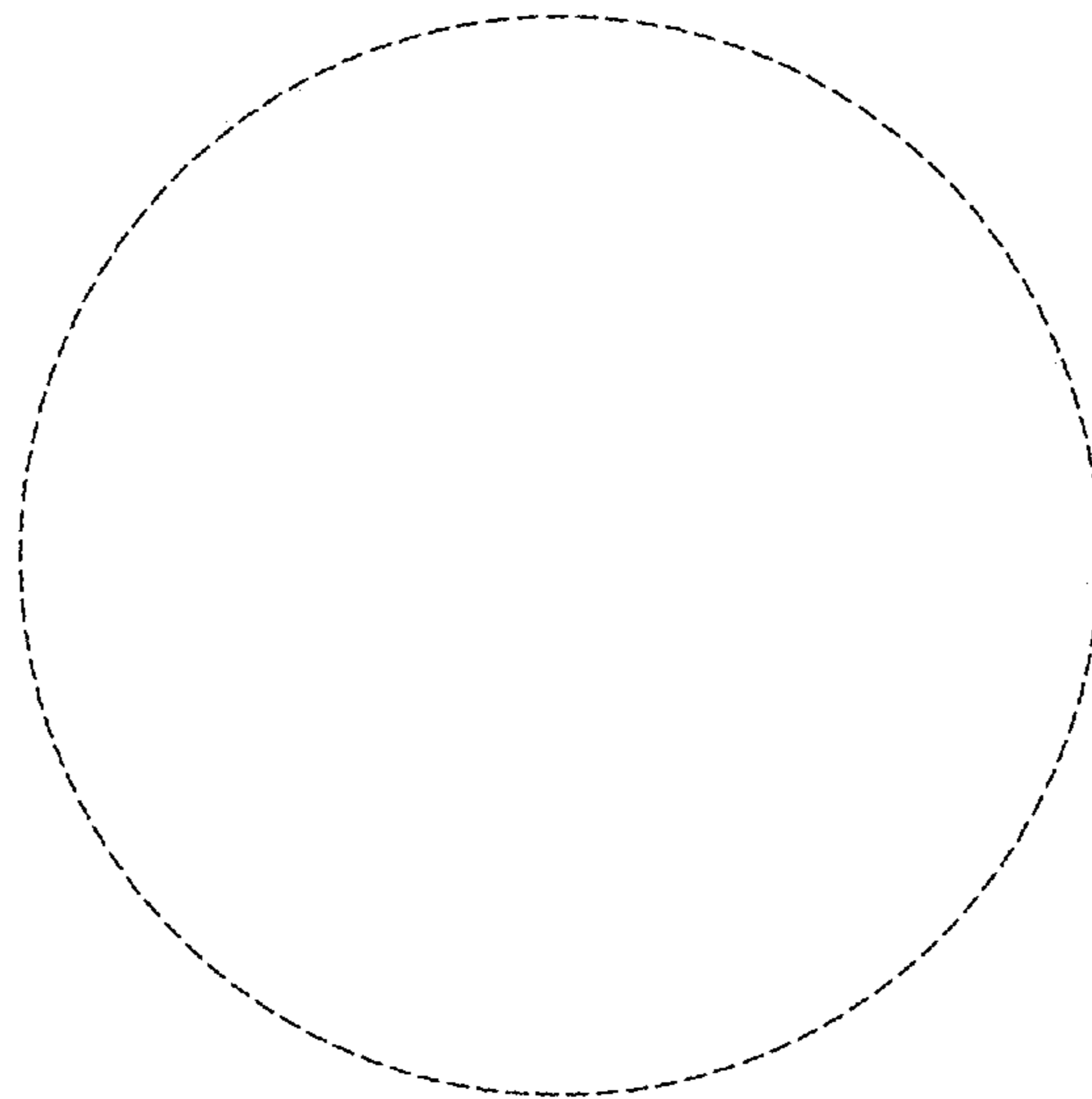


FIG.5

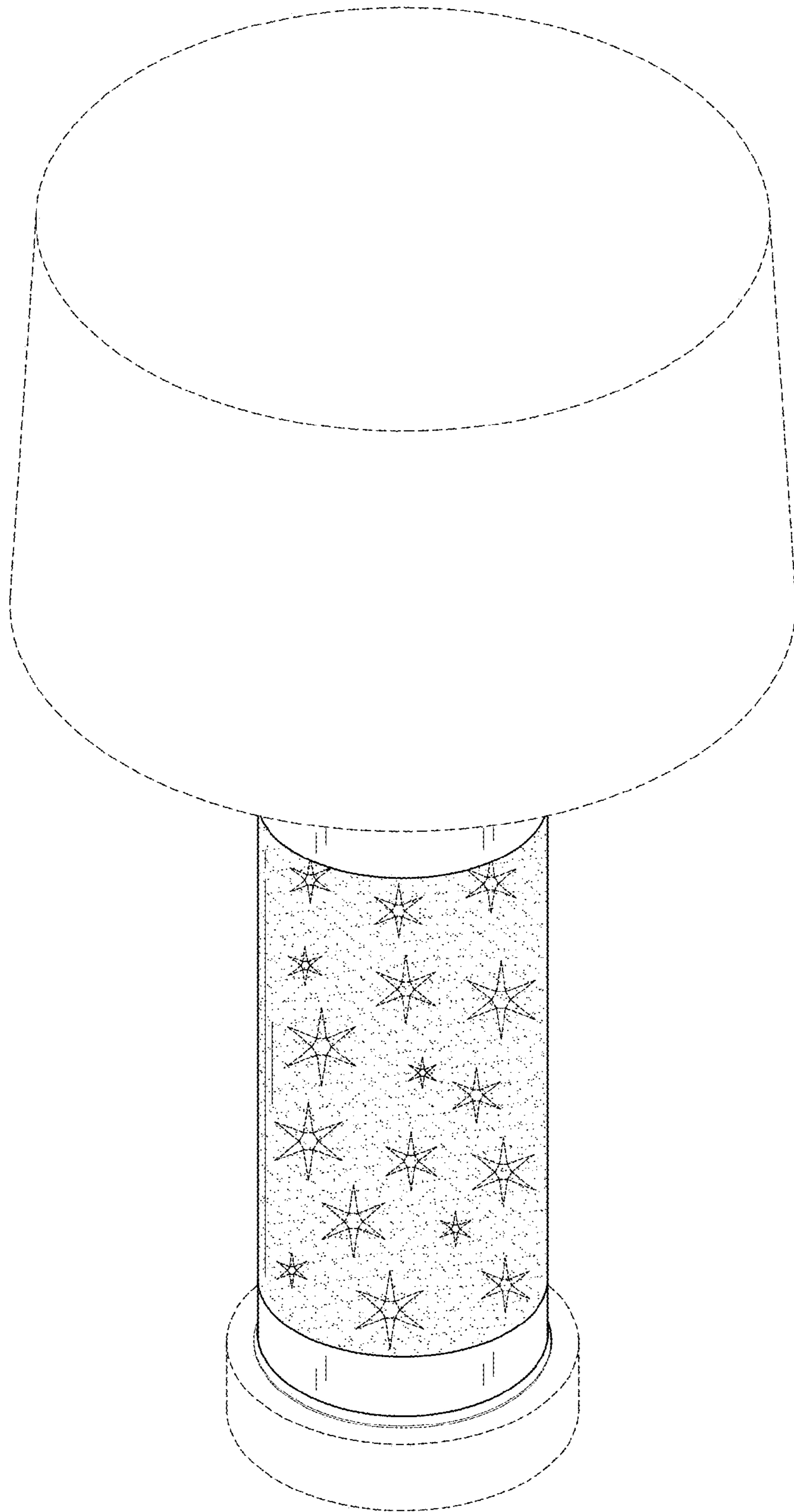


FIG.6

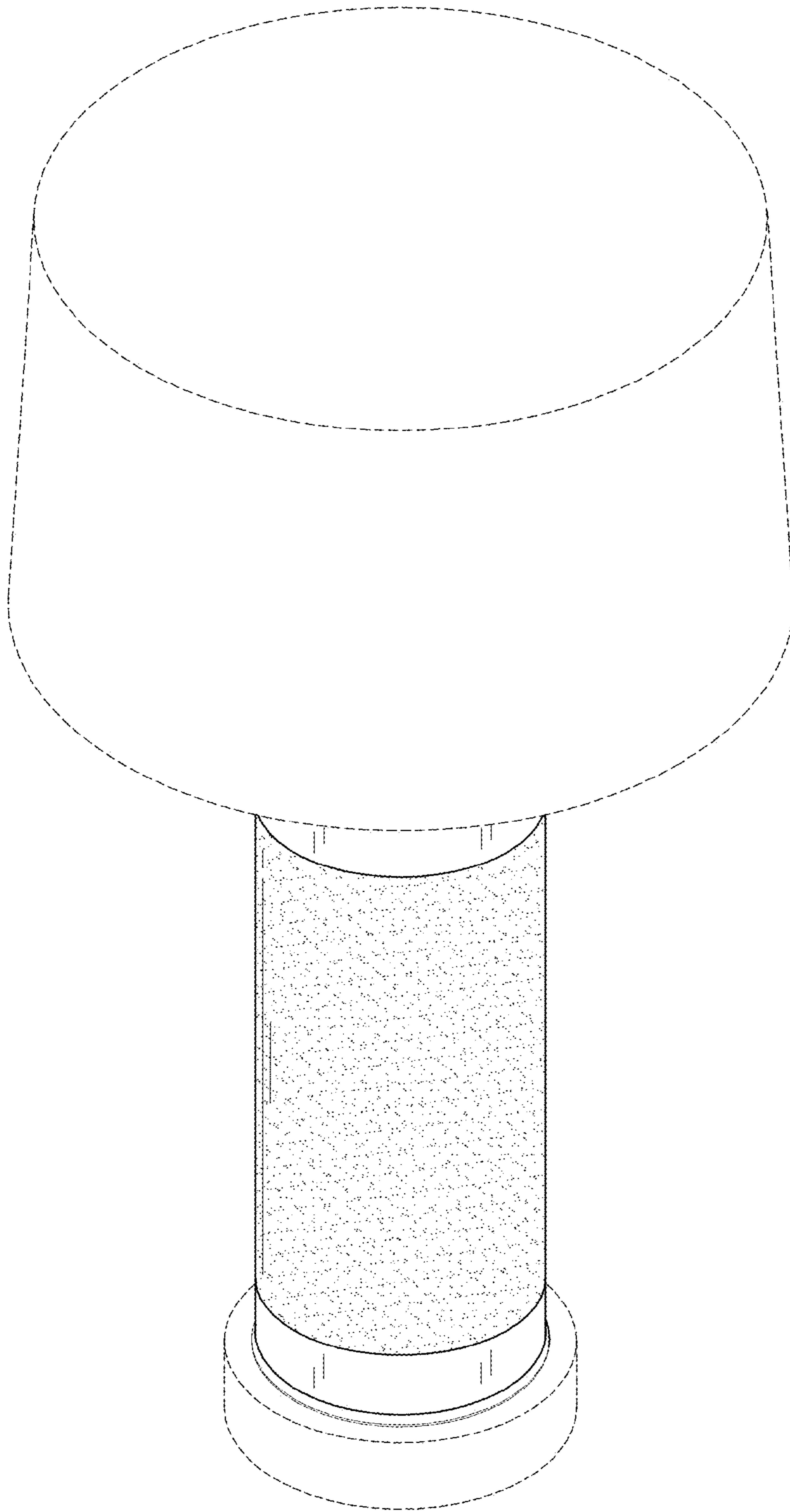


FIG.7