



US00D966597S

(12) **United States Design Patent**
Mittal

(10) **Patent No.:** **US D966,597 S**

(45) **Date of Patent:** **** Oct. 11, 2022**

(54) **CEILING MOUNTED LUMINAIRE FOR LIGHTING**

(71) Applicant: **OVERDRIVE ELECTRONICS PVT. LTD.**, Noida (IN)

(72) Inventor: **Mohit Kumar Mittal**, Noida (IN)

(73) Assignee: **OVERDRIVE ELECTRONICS PVT. LTD.**

(**) Term: **15 Years**

(21) Appl. No.: **29/707,730**

(22) Filed: **Sep. 30, 2019**

(30) **Foreign Application Priority Data**

Apr. 11, 2019 (IN) 316713-001

(51) **LOC (13) Cl.** **26-03**

(52) **U.S. Cl.**
USPC **D26/89; D26/72**

(58) **Field of Classification Search**

USPC D26/72, 89

CPC F21S 8/03; F21S 8/031; F21S 8/04; F21W 2131/402; F21V 29/70; F21V 21/03; F21V 19/007

See application file for complete search history.

(56) **References Cited**

U.S. PATENT DOCUMENTS

D515,723 S * 2/2006 Chen D26/2
D637,339 S * 5/2011 Hasan D26/89
D767,195 S * 9/2016 Pollack, Jr. D26/89
10,145,555 B2 * 12/2018 Ohai F21V 31/005
D858,863 S * 9/2019 Deng D26/119
10,584,863 B1 * 3/2020 Mittal F21V 23/006

D899,663 S * 10/2020 Kang D26/85
D945,658 S * 3/2022 Brannon D26/113
2012/0195041 A1 * 8/2012 Fletcher F21V 23/009
362/249.02
2014/0268885 A1 * 9/2014 Randolph F21V 3/049
362/650
2021/0262652 A1 * 8/2021 Aanegola F21V 15/01

OTHER PUBLICATIONS

EH80 Jelly Jar luminaire retrieved from overdrive-lighting.com on May 17, 2022. (Year: 2022).*

* cited by examiner

Primary Examiner — Clare E Heflin

(74) *Attorney, Agent, or Firm* — Sand, Sebolt & Wernow Co., LPA

(57) **CLAIM**

The ornamental design for a ceiling mounted luminaire for lighting, as shown and described.

DESCRIPTION

FIG. 1 is a perspective view of a ceiling mounted luminaire for lighting;

FIG. 2 is another perspective view of the ceiling mounted luminaire for lighting of FIG. 1;

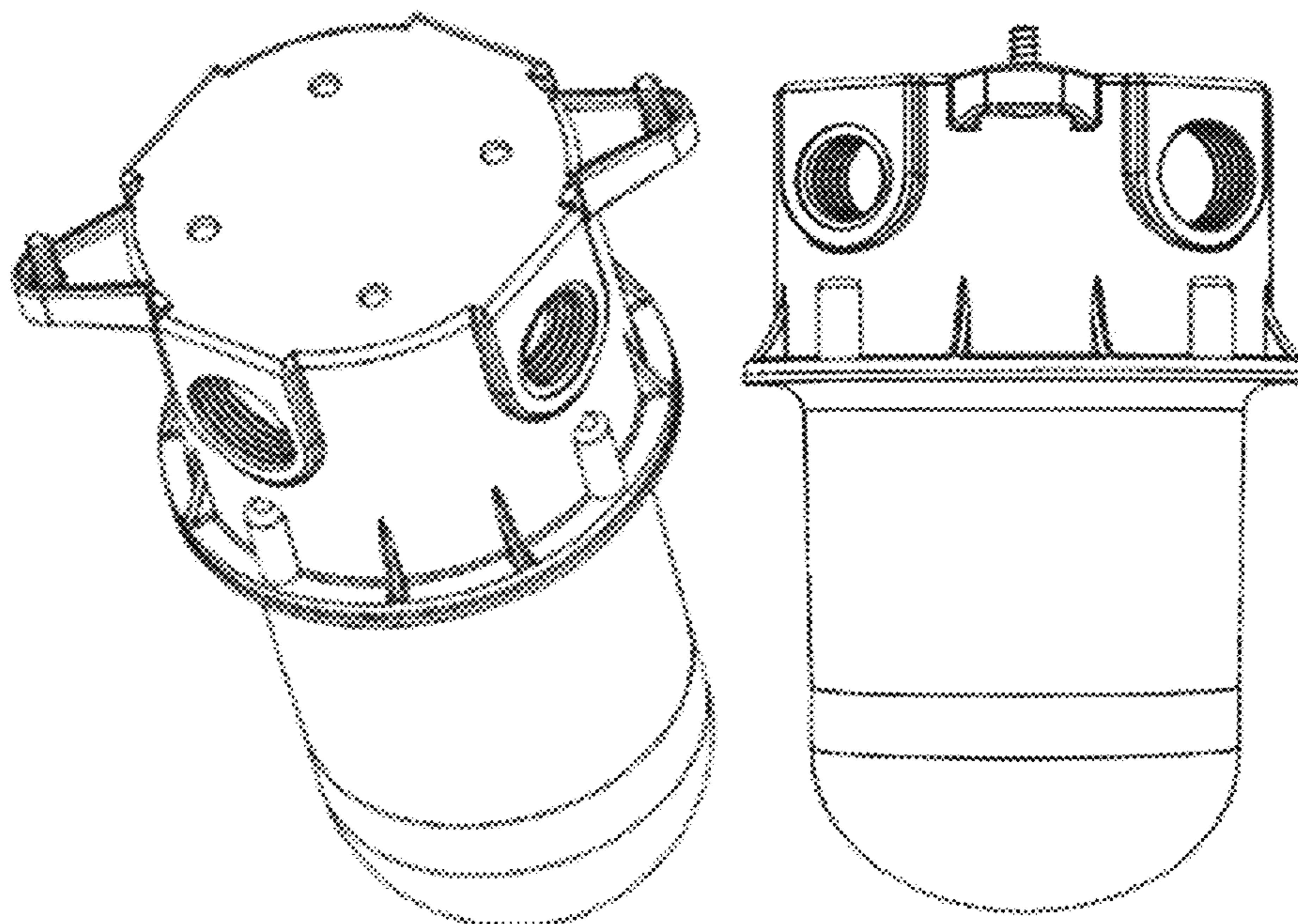
FIG. 3 is a front elevation view of the ceiling mounted luminaire for lighting of FIG. 1, the rear elevation view being an identical image thereof;

FIG. 4 is a right-side elevation view of the ceiling mounted luminaire for lighting of FIG. 1, the left-side elevation view being an identical image thereof;

FIG. 5 is a top plan view of the ceiling mounted luminaire for lighting of FIG. 1; and,

FIG. 6 is bottom plan view of the ceiling mounted luminaire for lighting of FIG. 1.

1 Claim, 6 Drawing Sheets



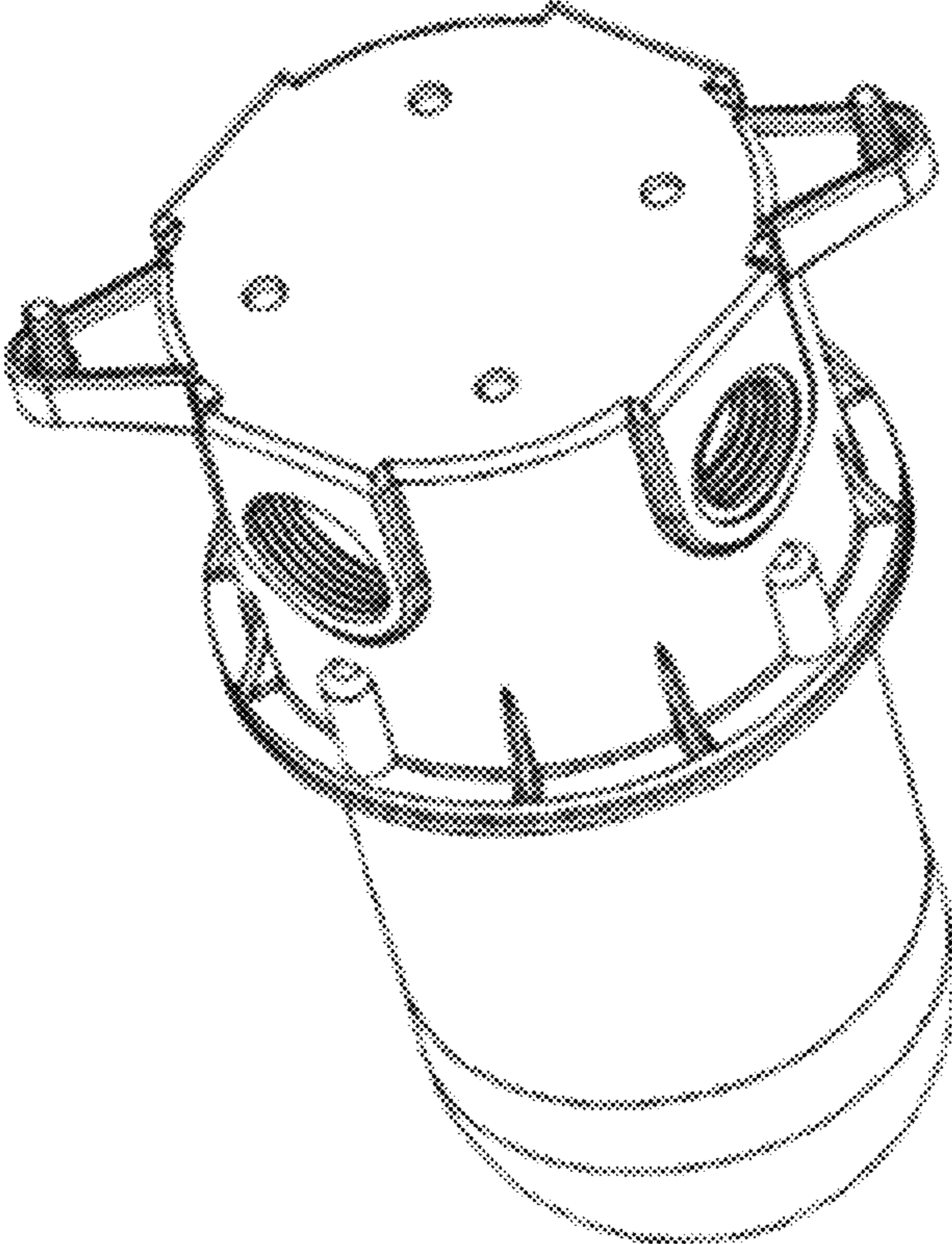


Fig. 1

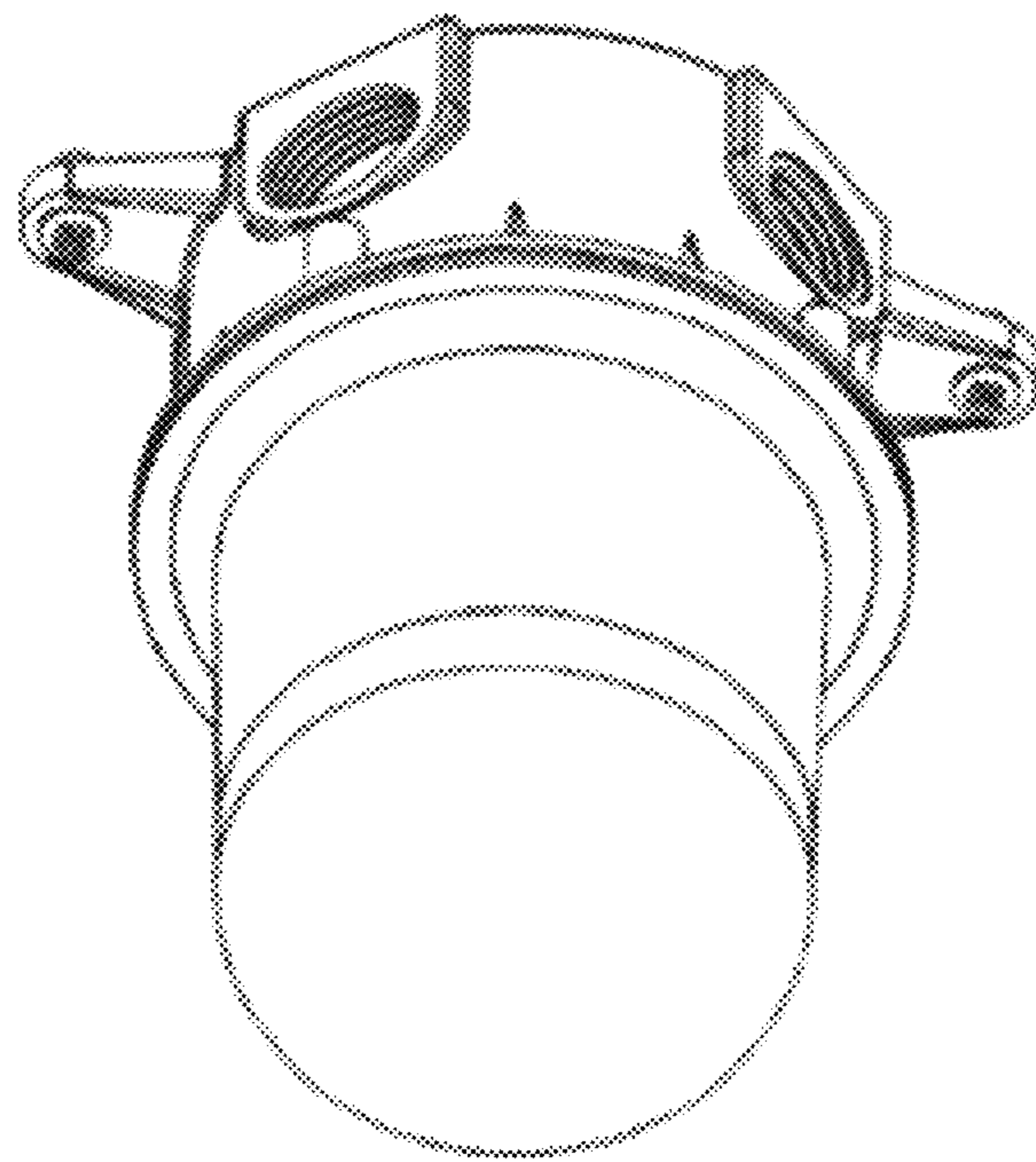


Fig. 2

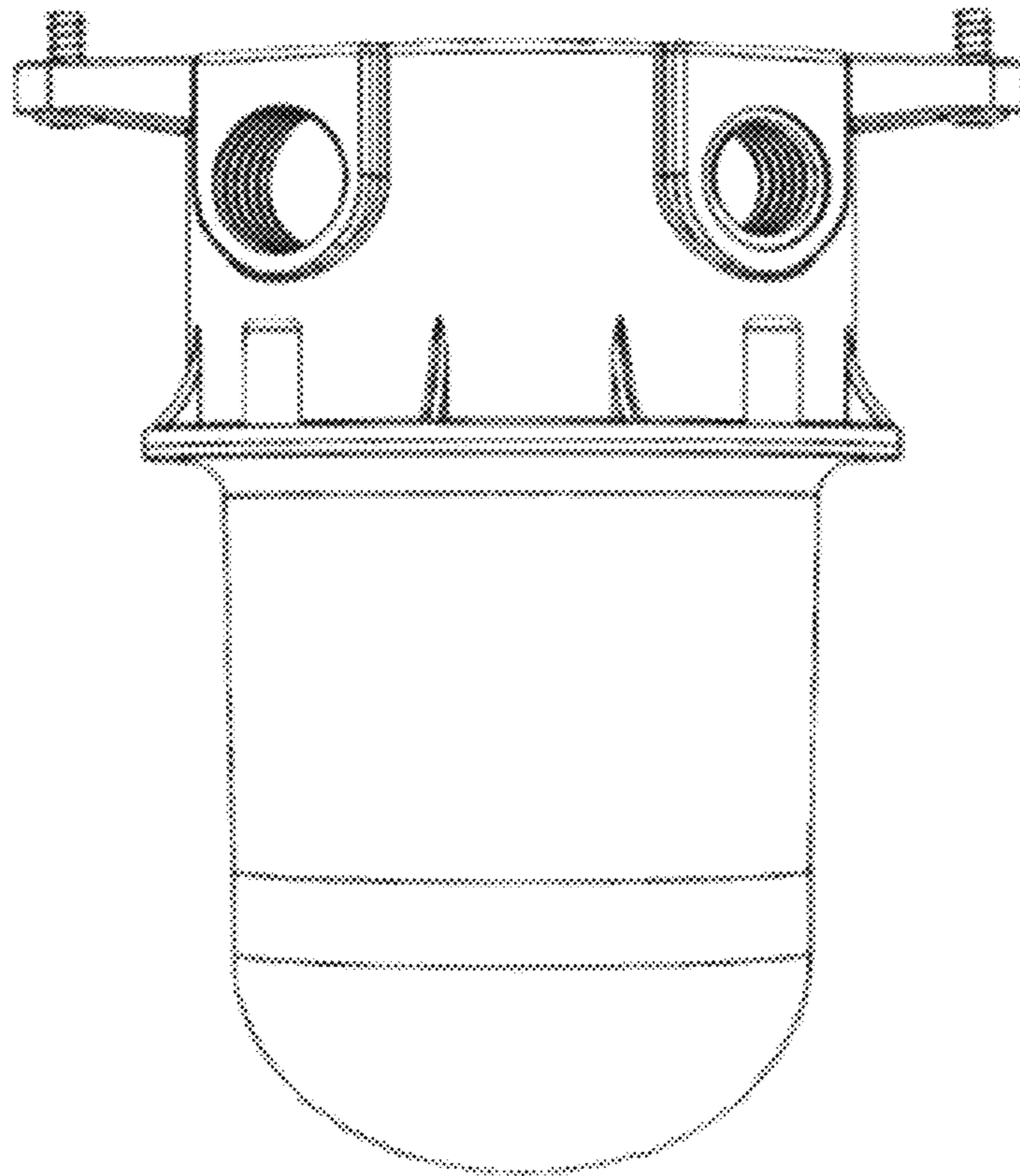


Fig. 3

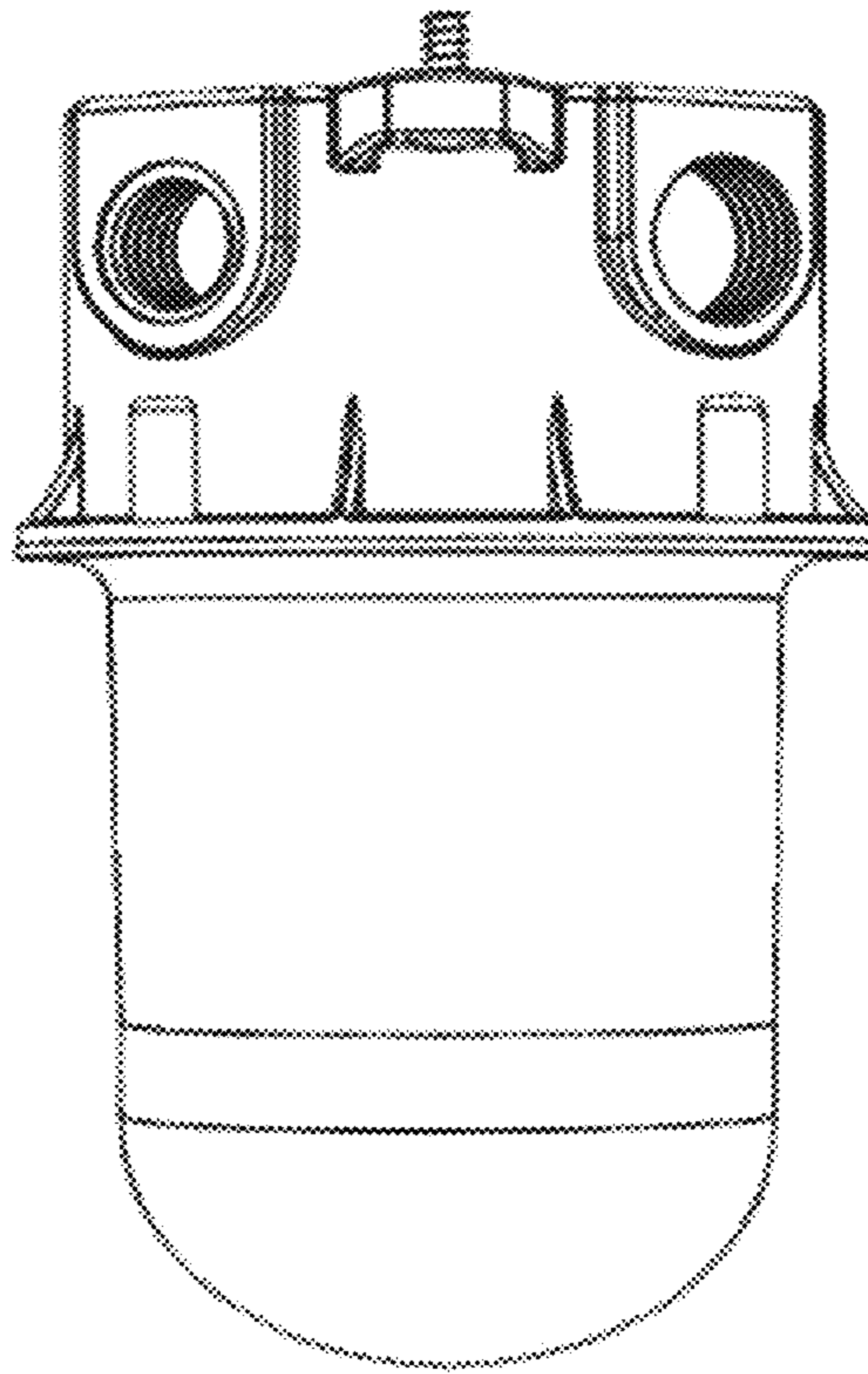


Fig. 4

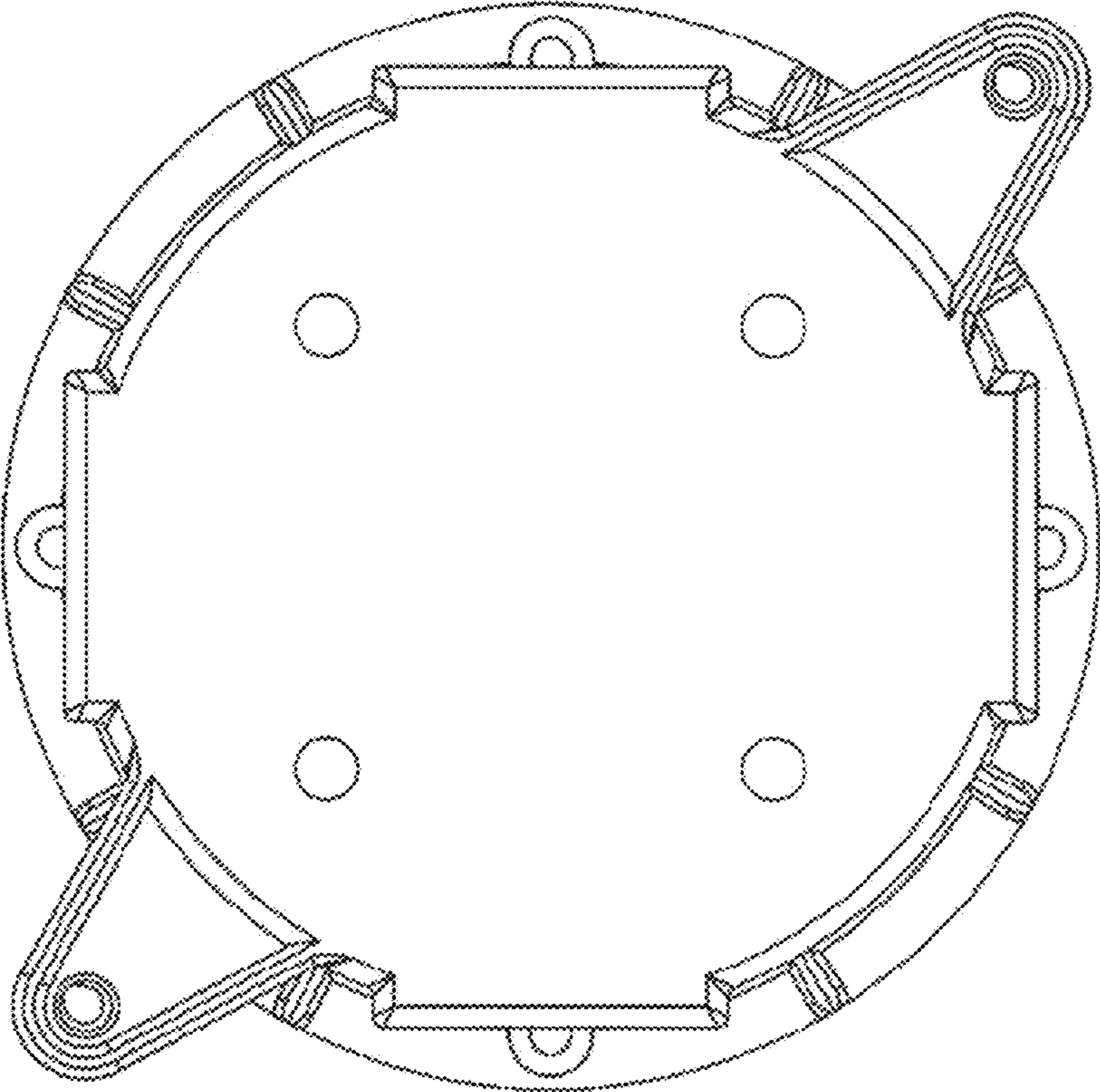


Fig. 5

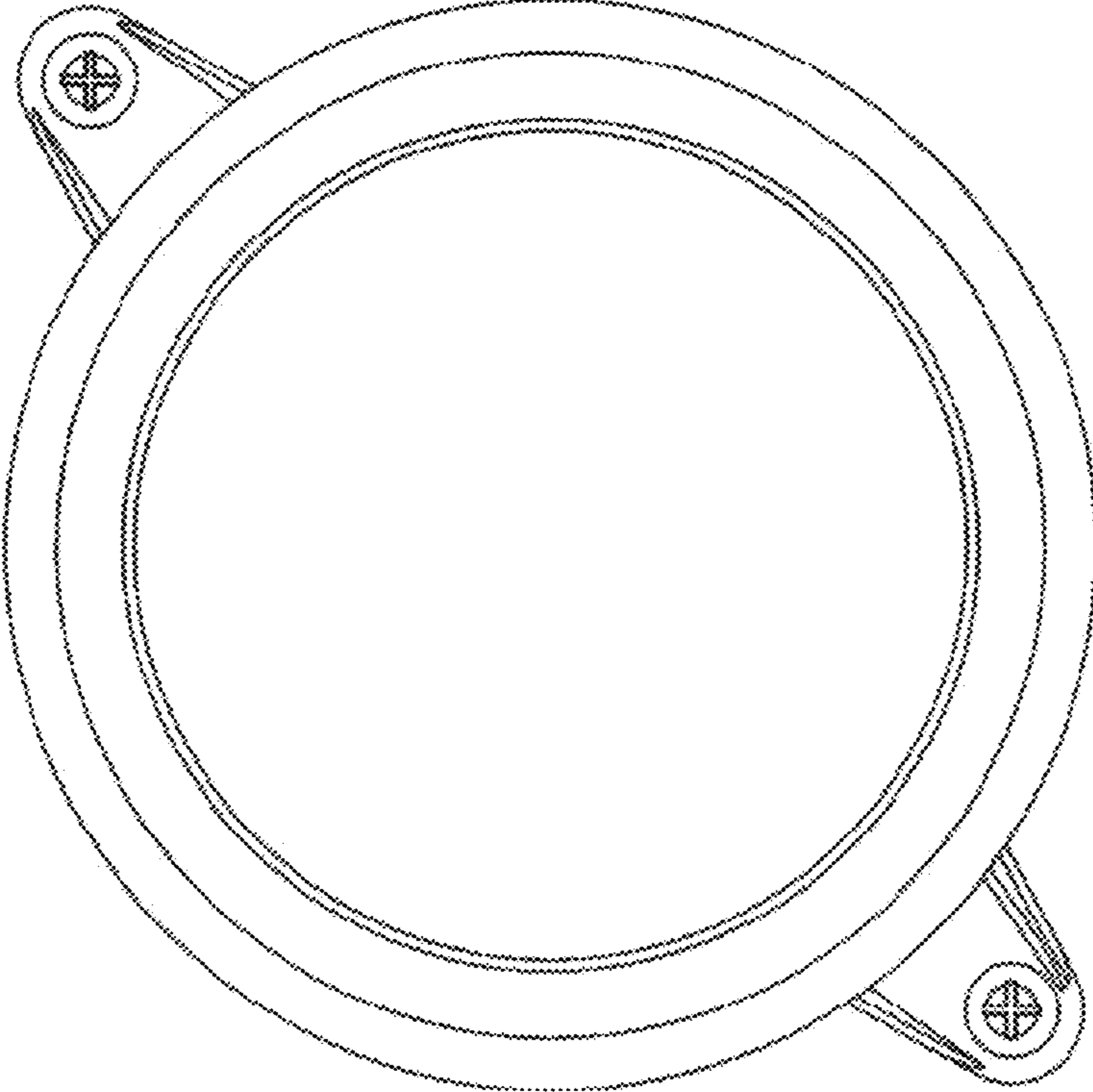


Fig. 6