

US00D966596S

(12) **United States Design Patent**  
**Wang**

(10) **Patent No.:** **US D966,596 S**

(45) **Date of Patent:** **\*\* Oct. 11, 2022**

- (54) **SOLAR FENCE LIGHT**
- (71) Applicant: **Ninghai Qingfeng Electric Appliance Co., Ltd., Ningbo (CN)**
- (72) Inventor: **Guoshen Wang, Ningbo (CN)**
- (73) Assignee: **Ninghai Qingfeng Electric Appliance Co., Ltd., Ningbo (CN)**

(\*\*) Term: **15 Years**

(21) Appl. No.: **29/831,265**

(22) Filed: **Mar. 18, 2022**

(51) **LOC (13) Cl.** ..... **26-05**

(52) **U.S. Cl.**  
USPC ..... **D26/87; D26/85**

(58) **Field of Classification Search**  
USPC ..... D26/67, 72, 85-90, 92  
CPC ..... F21S 8/00; F21S 8/03; F21S 8/033; F21S 8/036; F21S 9/03; F21S 9/037; F21W 2111/027; F21W 2131/107; F21W 2131/109

See application file for complete search history.

(56) **References Cited**

**U.S. PATENT DOCUMENTS**

D178,075 S *	6/1956	Manley .....	D26/104
D206,019 S *	10/1966	Walz .....	D26/87
D211,489 S *	6/1968	Bernadotte .....	D26/87
D222,810 S *	1/1972	Husby .....	D26/68
4,245,284 A *	1/1981	Moore .....	F21V 17/164
			362/370
D408,938 S *	4/1999	Miyatake .....	D26/87
D439,001 S *	3/2001	Pan .....	D26/85
D565,788 S *	4/2008	Miyatake .....	D26/155
D604,005 S *	11/2009	Chan .....	D26/87
D667,159 S *	9/2012	Wauters .....	D26/85
D765,296 S *	8/2016	Wei .....	D26/60

D783,882 S *	4/2017	Dolan .....	D26/87
D796,109 S *	8/2017	Sonneman .....	D26/87
D800,943 S *	10/2017	Shundong .....	D26/85
D802,200 S *	11/2017	Sonneman .....	D26/87
D845,534 S *	4/2019	Van Duysen .....	D26/87
D921,958 S *	6/2021	Hui .....	D26/87
D935,683 S *	11/2021	Garrett et al.	
D938,641 S *	12/2021	Liang .....	D26/85
D945,659 S *	3/2022	James	

**OTHER PUBLICATIONS**

Collections Etc., Solar Glass Globe Wall Light. First available Aug. 2019. Searched on Aug. 23, 2022. [https://www.collectionsetc.com/products/solar-glass-globe-motion-activated-wall-light] (Year: 2019).\*

(Continued)

*Primary Examiner* — Samantha Q Lawrence

*Assistant Examiner* — Melissa Adriane Santos

(74) *Attorney, Agent, or Firm* — ScienBiziP, P.C.

(57) **CLAIM**

The ornamental design for a solar fence light, as shown and described.

**DESCRIPTION**

FIG. 1 is a front, right and top perspective view of a solar fence light, showing my design.

FIG. 2 is a rear, left and bottom perspective view thereof.

FIG. 3 is a front elevation view thereof.

FIG. 4 is a rear elevation view thereof.

FIG. 5 is a left side elevation view thereof.

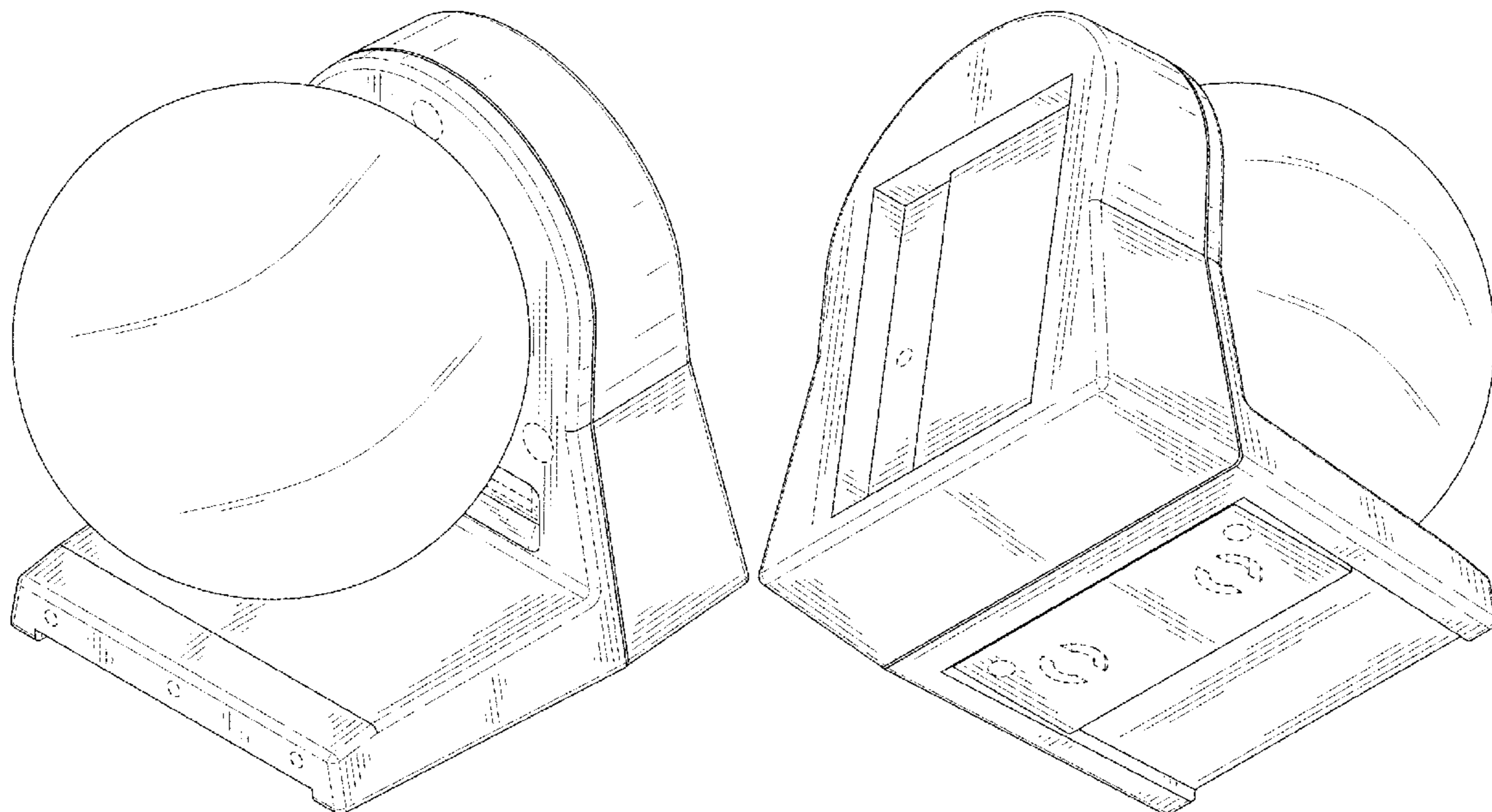
FIG. 6 is a right side elevation view thereof.

FIG. 7 is a top plan view thereof; and,

FIG. 8 is a bottom plan view thereof.

The broken lines in the drawings depict portions of the solar fence light that form no part of the claimed design.

**1 Claim, 8 Drawing Sheets**



(56)

**References Cited**

OTHER PUBLICATIONS

Coramdeo, Outdoor LED Globe Light. First available Nov. 1, 2019. Searched on Aug. 23, 2022. [<https://www.amazon.com/dp/B07ZQNH1T3/>] (Year: 2019).\*

Maxlite, Buffalo Globe Lantern Outdoor Lamp. First available Jan. 1, 2014. Searched on Aug. 23, 2022. [Maxlite Buffalo Globe Lantern Outdoor Lamp] (Year: 2014).\*

\* cited by examiner

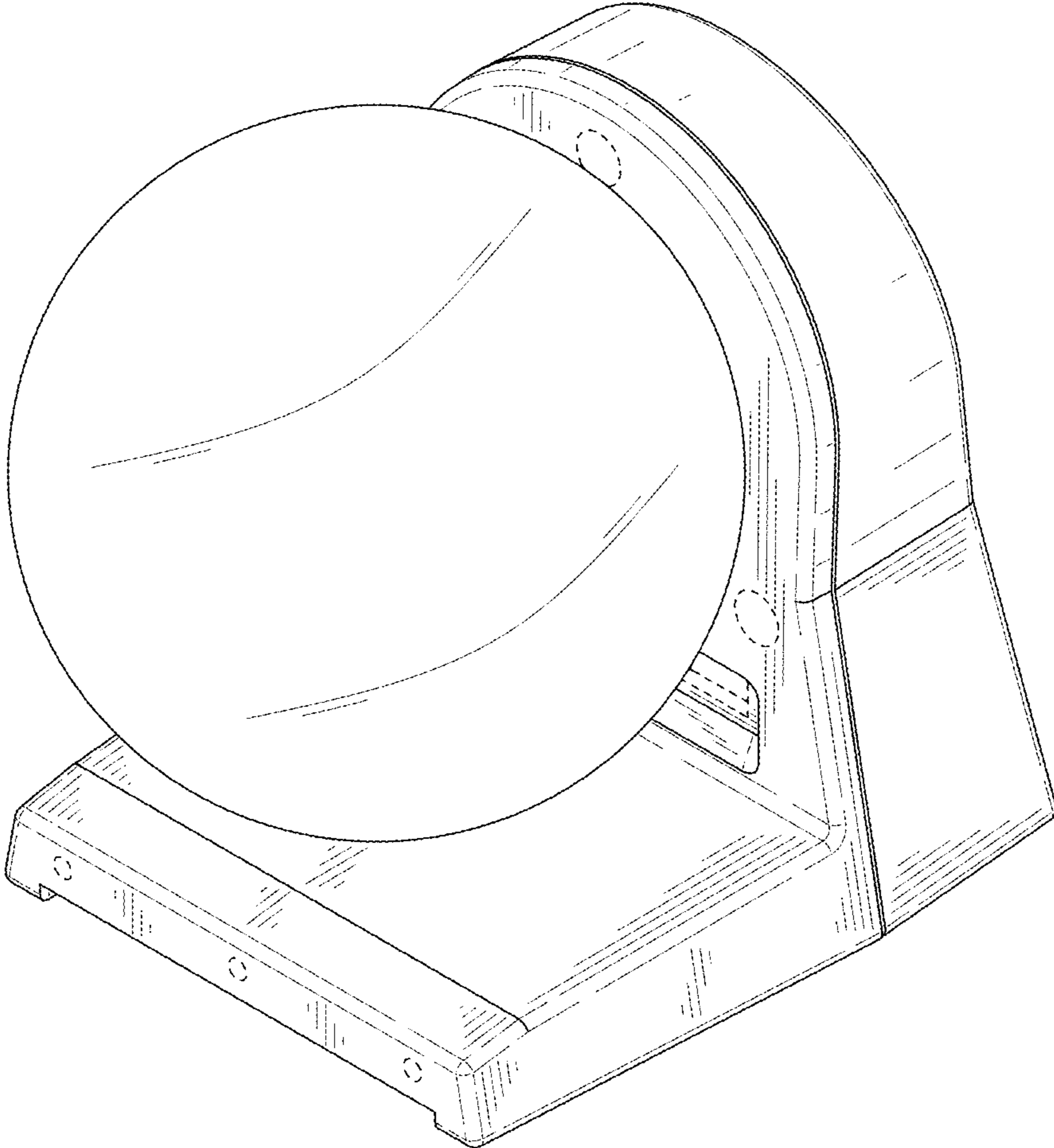


FIG. 1

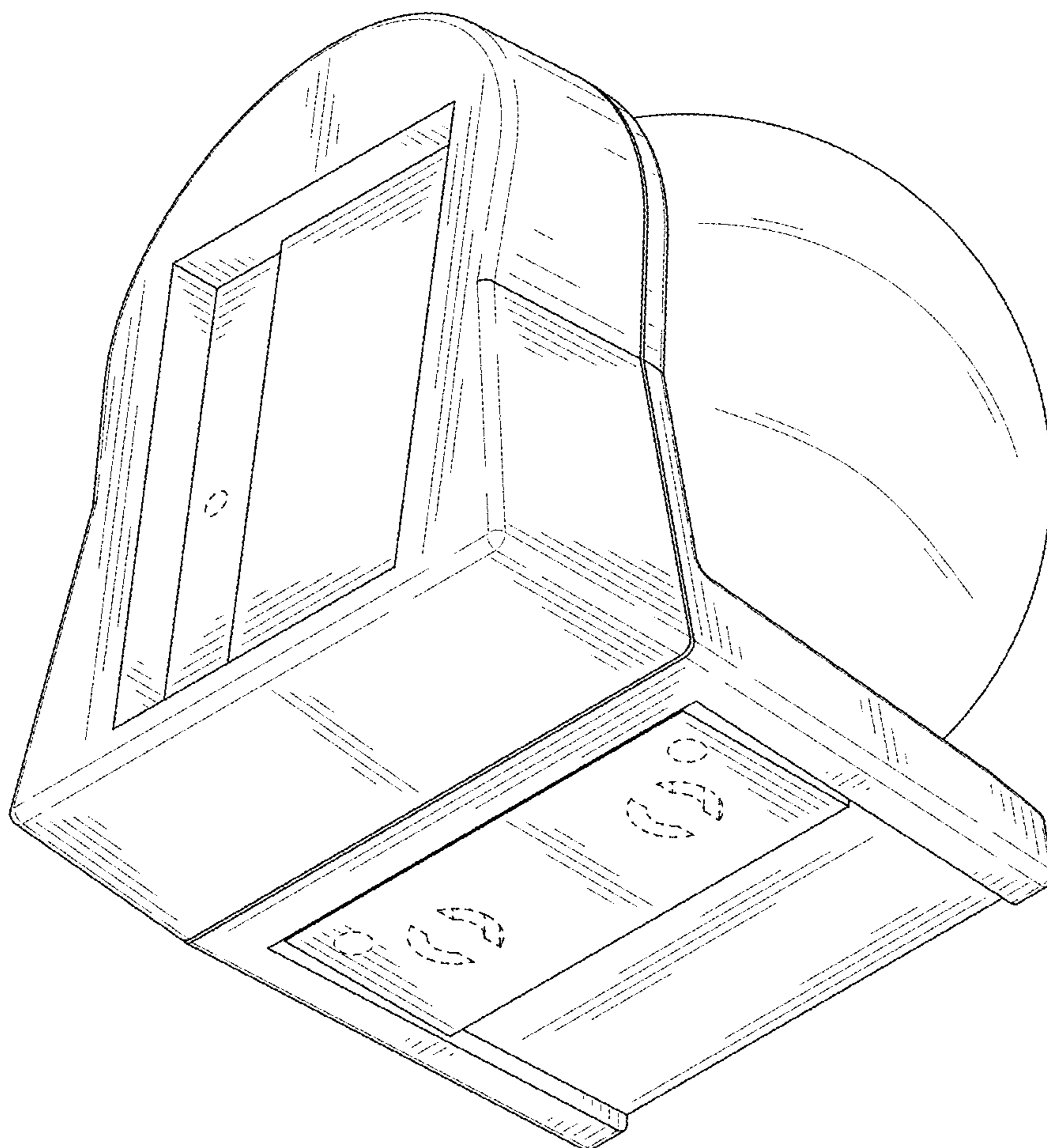


FIG. 2

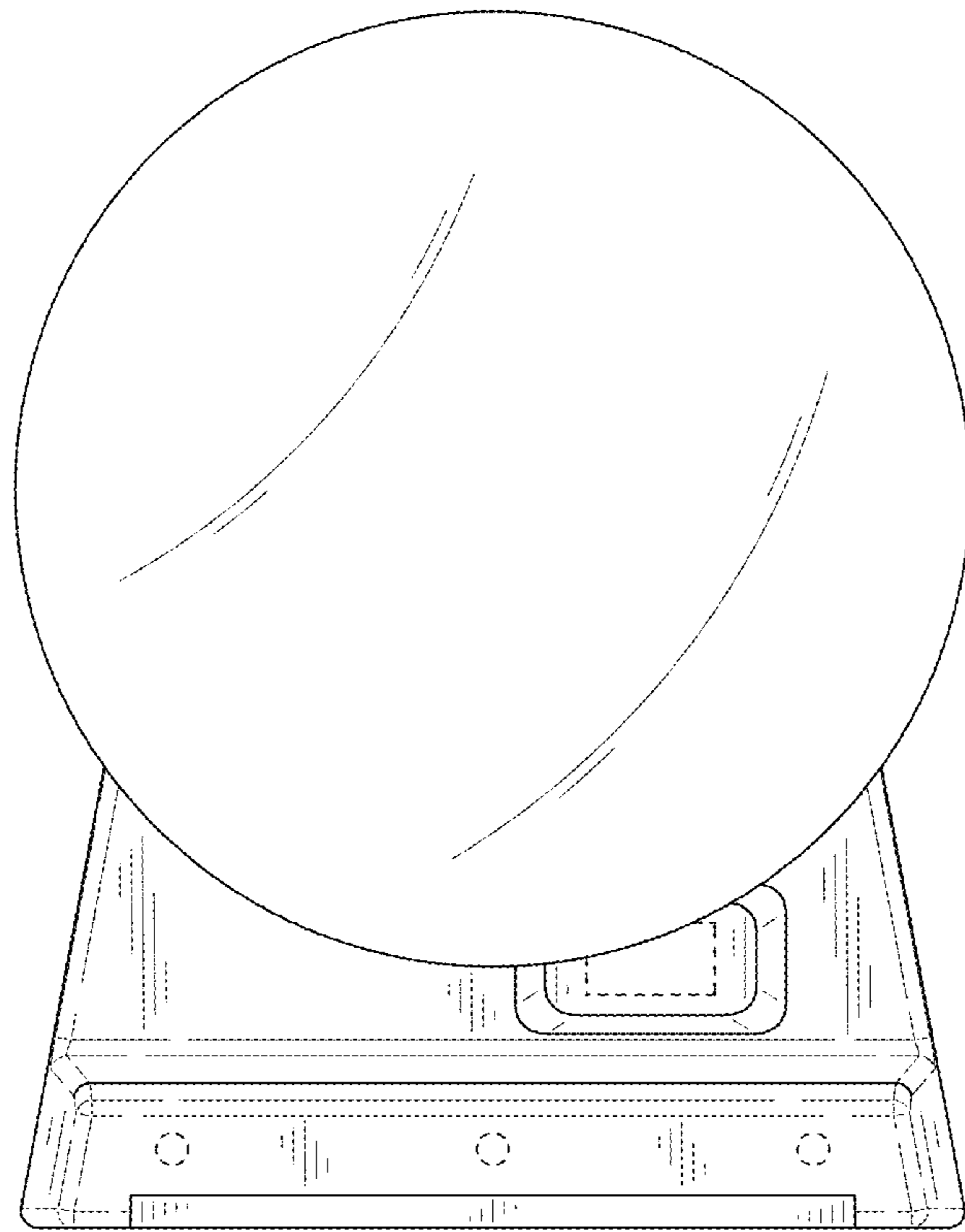


FIG. 3



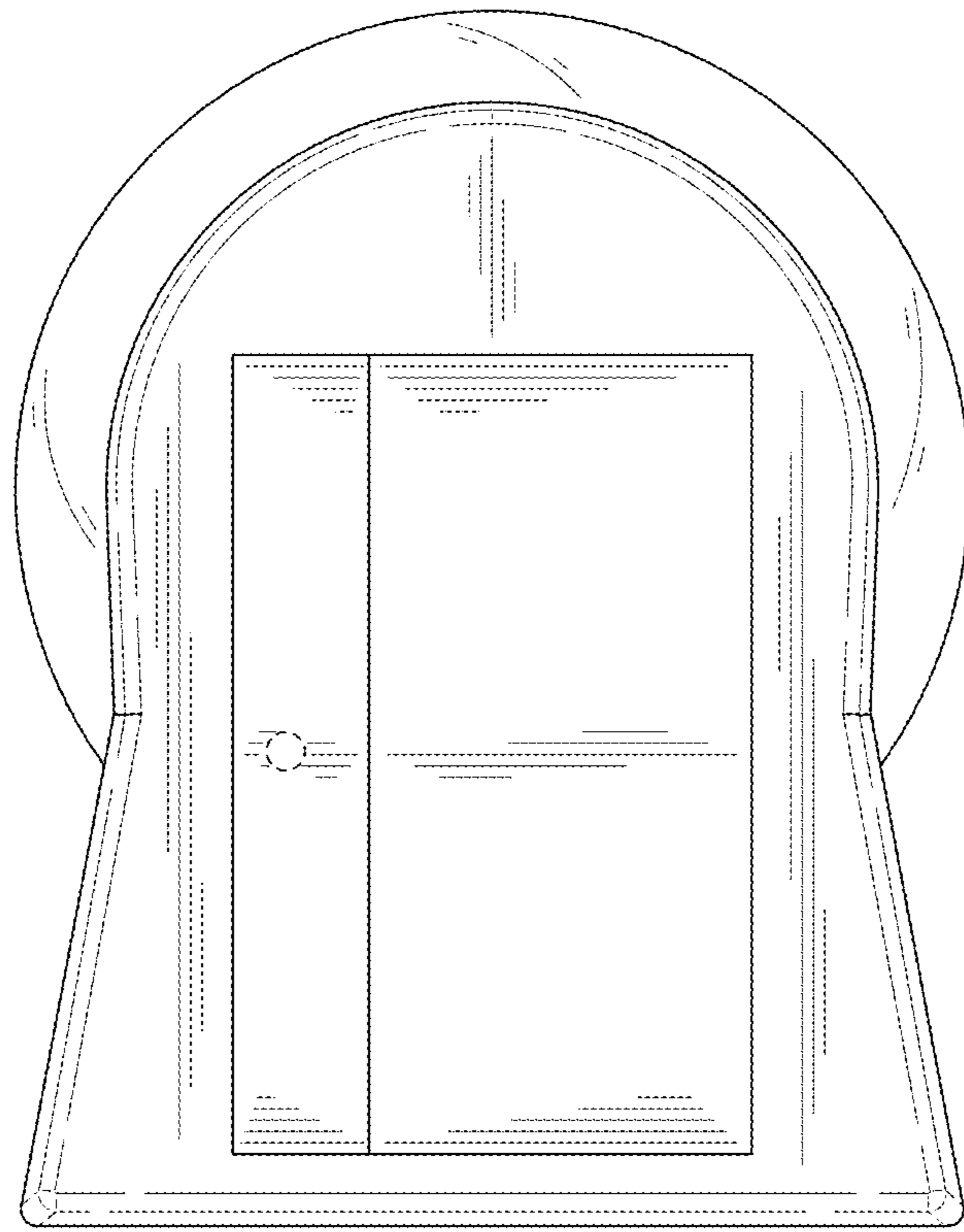


FIG. 4

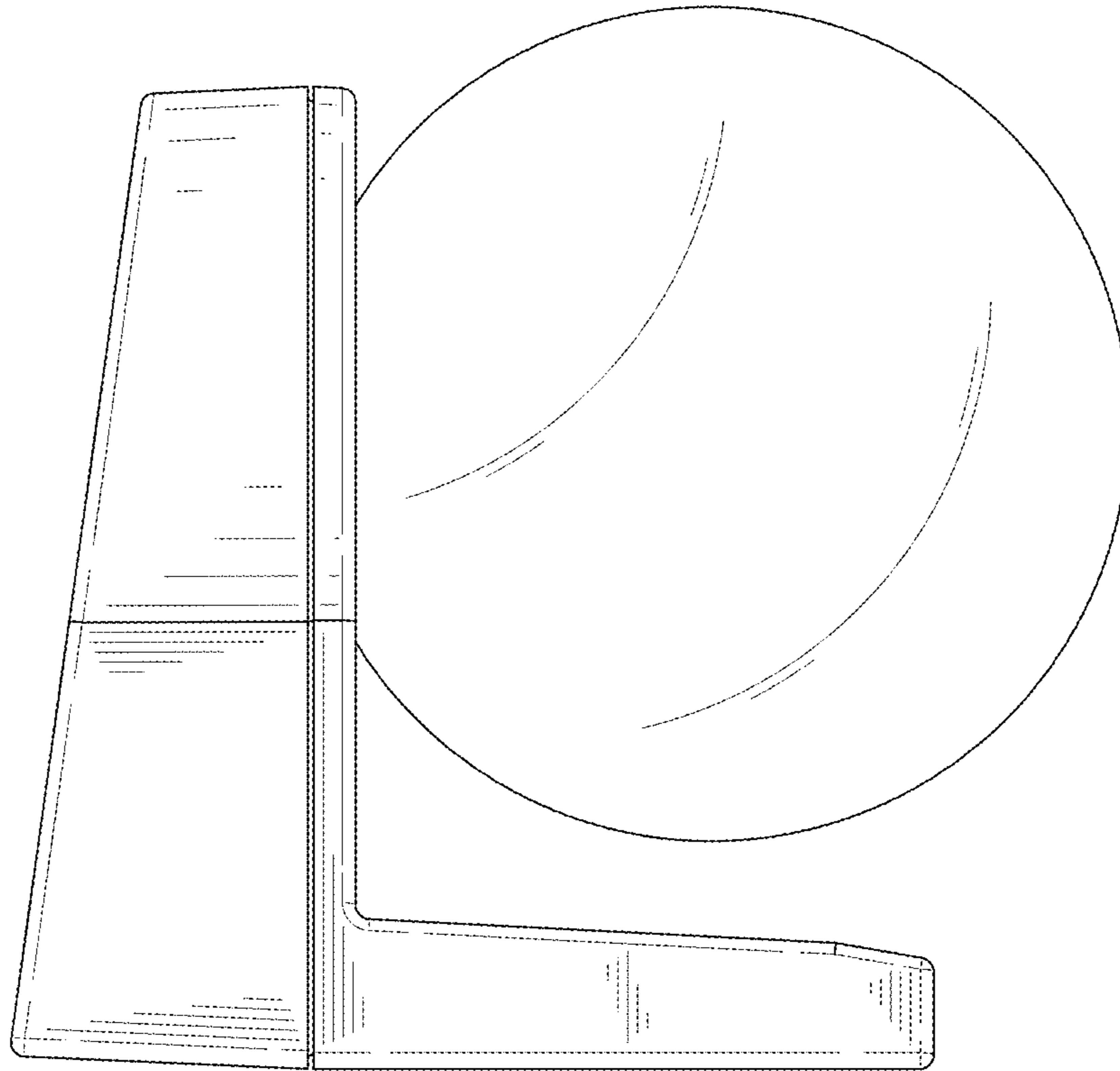


FIG. 5

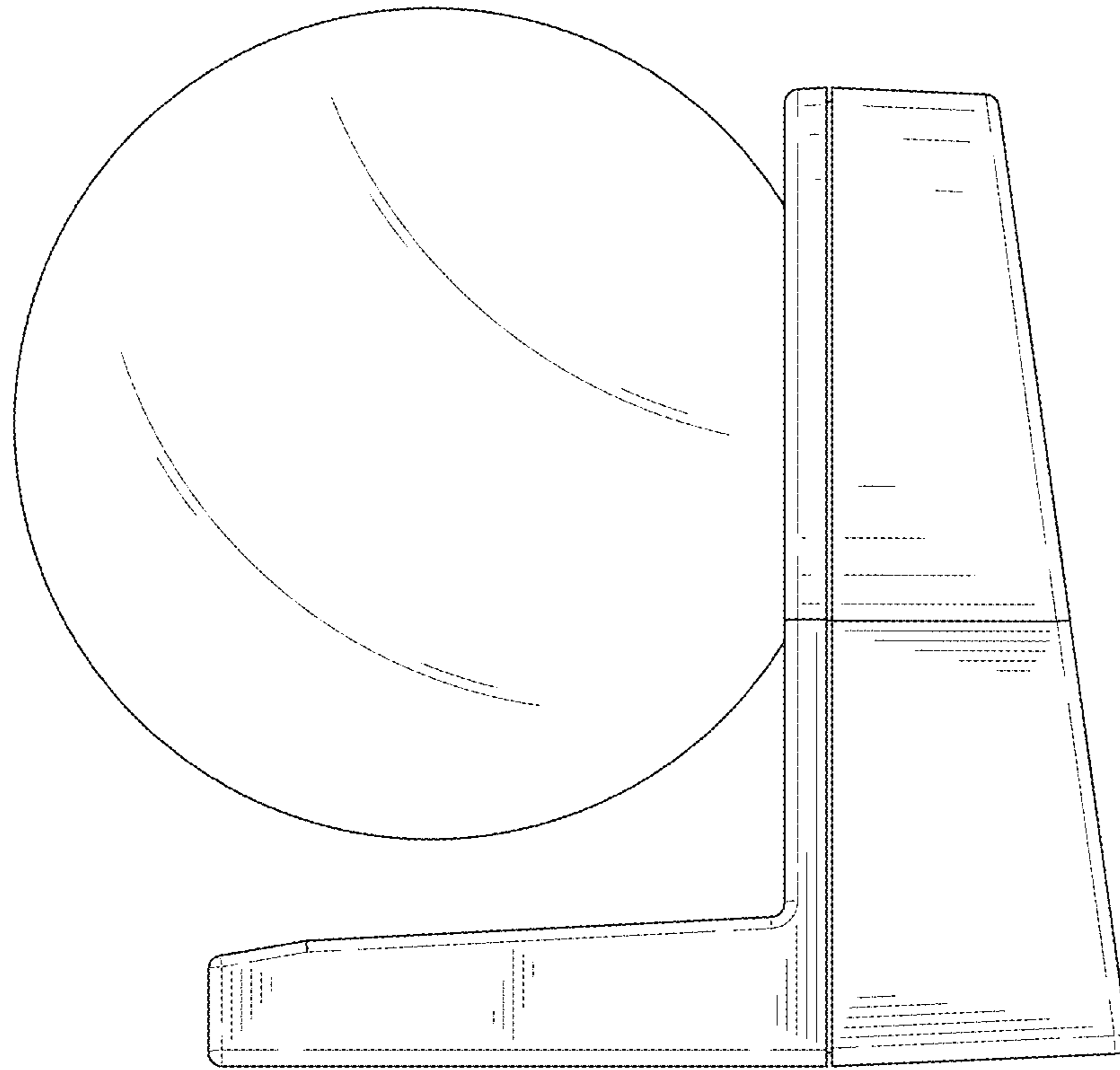


FIG. 6



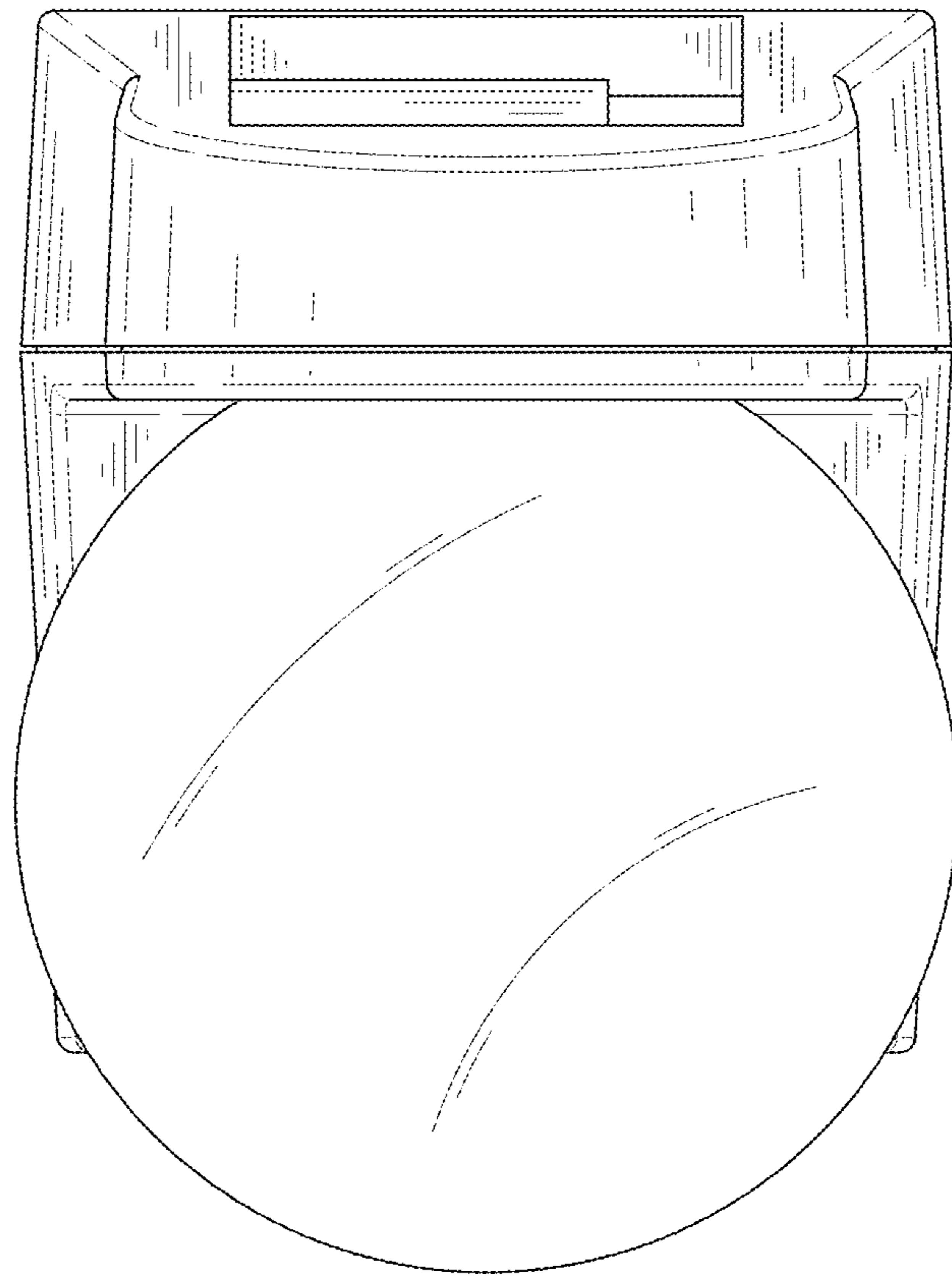


FIG. 7

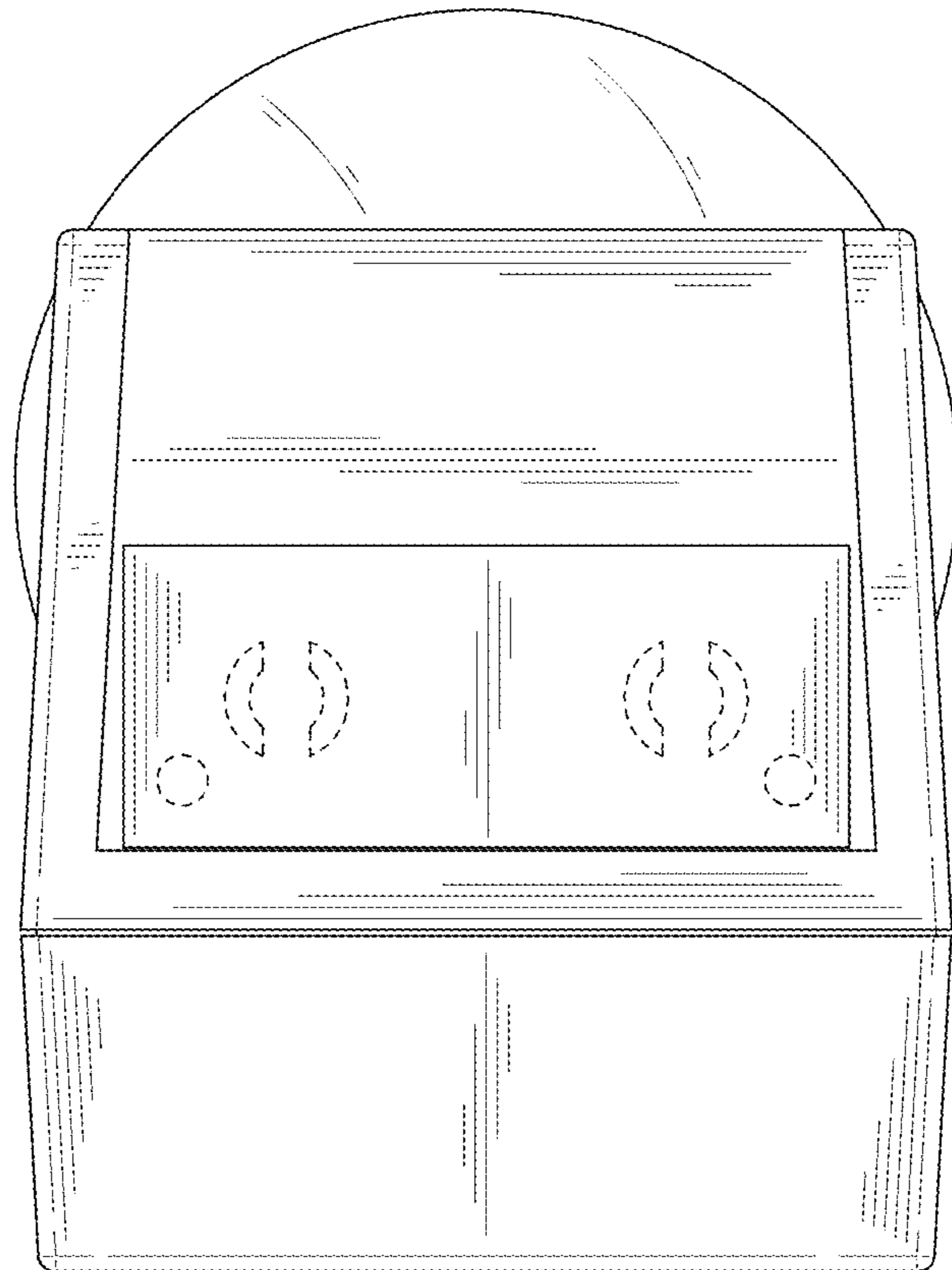


FIG. 8