



US00D966595S

(12) **United States Design Patent**  
**Rindt et al.**

(10) **Patent No.:** **US D966,595 S**  
(45) **Date of Patent:** **\*\* Oct. 11, 2022**

(54) **LIGHT FIXTURE**

**DESCRIPTION**

- (71) Applicant: **Kohler Co.**, Kohler, WI (US)
- (72) Inventors: **Nicholas R. Rindt**, Grafton, WI (US);  
**Brian M. Kaule**, Sheboygan, WI (US);  
**Dennis L. Snyder**, Avon Lake, OH (US)
- (73) Assignee: **KOHLER CO.**
- (\*\*) Term: **15 Years**
- (21) Appl. No.: **29/706,623**
- (22) Filed: **Sep. 21, 2019**
- (51) **LOC (13) Cl.** ..... **26-03**
- (52) **U.S. Cl.**  
USPC ..... **D26/87; D26/135**
- (58) **Field of Classification Search**  
USPC ..... **D26/83, 87, 89, 119, 40, 41, 67, 68, 85, D26/92, 131, 135**

(Continued)

(56) **References Cited**

**U.S. PATENT DOCUMENTS**

- D50,861 S \* 6/1917 Adam ..... D26/87
- D53,696 S \* 8/1919 Adam ..... D26/89

(Continued)

**OTHER PUBLICATIONS**

Sconce Retro Glass Globe Wall Sconce wall lamp available from 3dsky.org Jan. 27, 2022.<[https://3dsky.org/3dmodels/show/bra\\_retro\\_glass\\_globe\\_wall\\_sconce\\_nastennyi\\_svetilnik#tab-2](https://3dsky.org/3dmodels/show/bra_retro_glass_globe_wall_sconce_nastennyi_svetilnik#tab-2)> (Year: 2022).\*

(Continued)

*Primary Examiner* — Clare E Heflin

(74) *Attorney, Agent, or Firm* — The Belles Group, P.C.

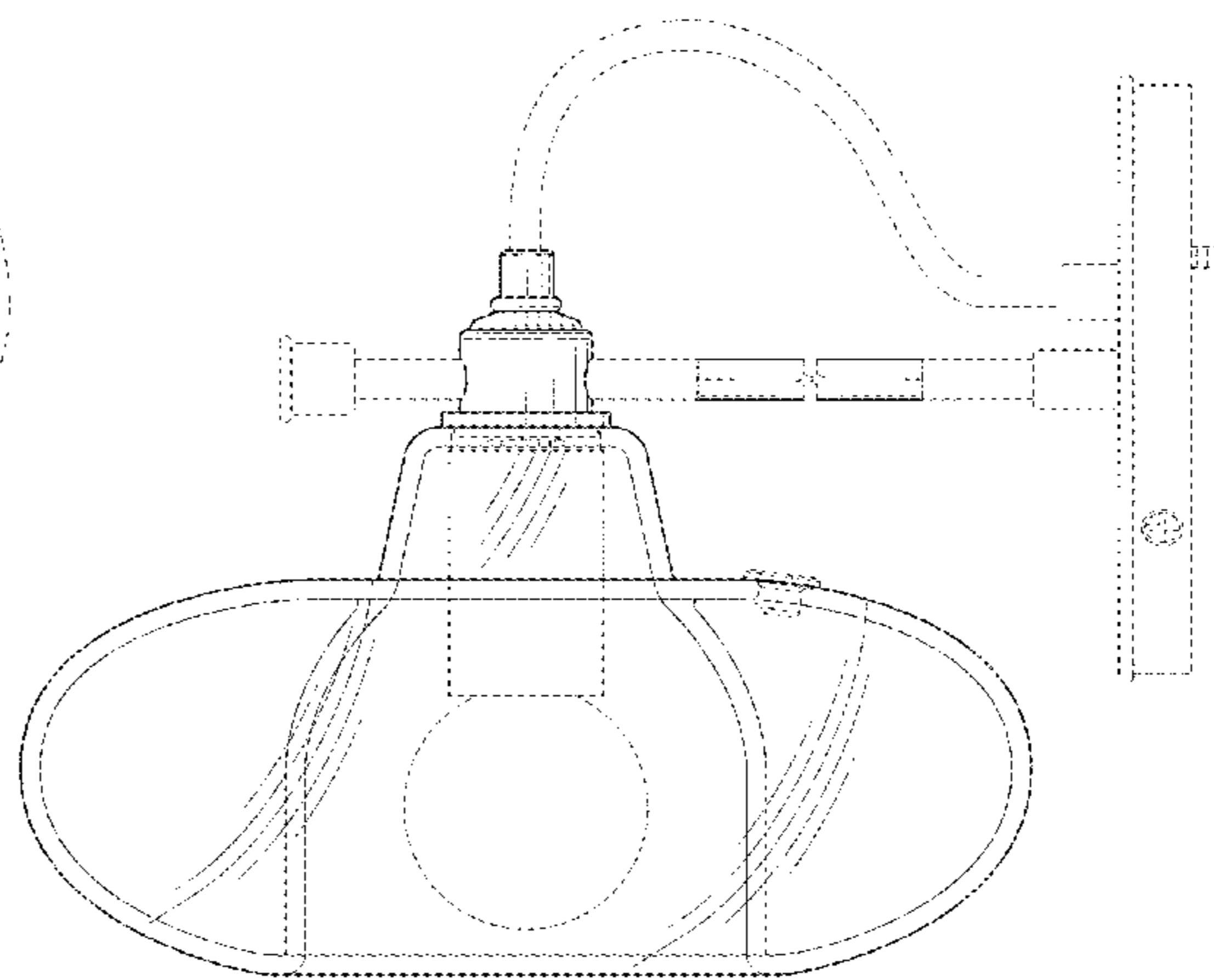
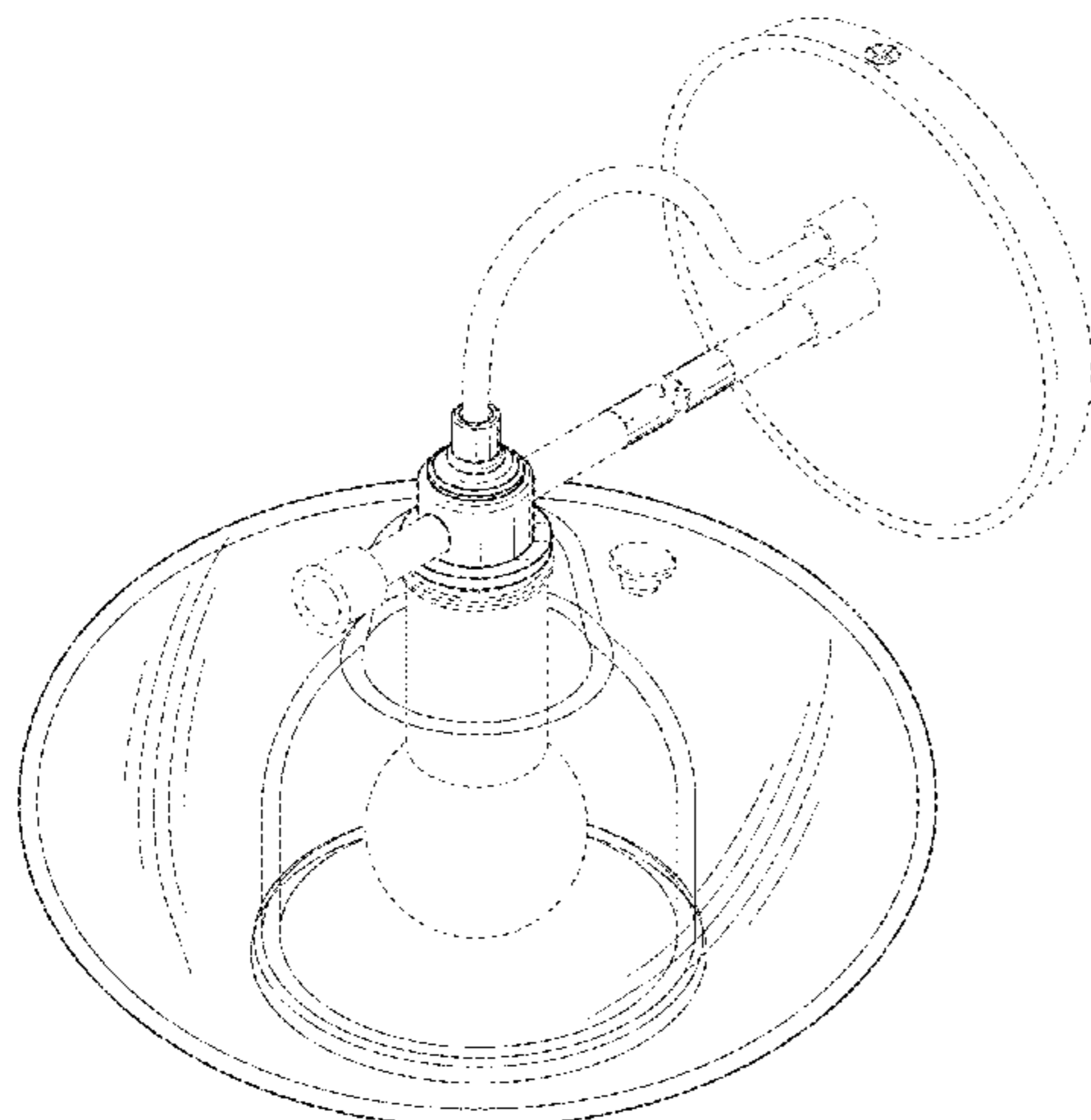
(57) **CLAIM**

We claim the ornamental design for a light fixture, as shown and described.

FIG. 1 is a perspective view of the claimed design;  
 FIG. 2 is another perspective view of the claimed design shown in FIG. 1;  
 FIG. 3 is a front view of the claimed design shown in FIG. 1;  
 FIG. 4 is a rear view of the claimed design shown in FIG. 1;  
 FIG. 5 is a side view of the claimed design shown in FIG. 1;  
 FIG. 6 is another side view of the claimed design shown in FIG. 1;  
 FIG. 7 is a top view of the claimed design shown in FIG. 1;  
 FIG. 8 is a bottom view of the claimed design shown in FIG. 1;  
 FIG. 9 is a perspective view of another embodiment of the claimed design;  
 FIG. 10 is a front view of the claimed design shown in FIG. 9;  
 FIG. 11 is a rear view of the claimed design shown in FIG. 9;  
 FIG. 12 is a side view of the claimed design shown in FIG. 9;  
 FIG. 13 is another side view of the claimed design shown in FIG. 9;  
 FIG. 14 is a top view of the claimed design shown in FIG. 9; and,  
 FIG. 15 is a bottom view of the claimed design shown in FIG. 9.

The broken lines in the drawings are for illustrative purposes only and form no part of the claimed design. For example, broken lines formed by equal length dashes show unclaimed portions of the light fixture. Broken lines formed of unequal length dashes (i.e., dash-dot) show boundaries between claimed and unclaimed portions of the design. Break lines having a jagged element indicate that the appearance of any portion between the break lines forms no part of the claimed design.

**1 Claim, 15 Drawing Sheets**



(58) **Field of Classification Search**  
 CPC .... F21S 8/03; F21S 8/033; F21S 8/036; F21S  
 8/081; F21S 9/037; F21W 2111/02;  
 F21W 2111/023; F21W 2131/109  
 See application file for complete search history.

(56) **References Cited**

U.S. PATENT DOCUMENTS

D75,869	S	*	7/1928	PFeiffer	.....	D26/152
D107,888	S	*	1/1938	Waterbury	.....	D26/89
D119,203	S	*	2/1940	Krueger	.....	D26/88
D233,166	S	*	10/1974	Gore et al.	.....	D26/87
D261,559	S	*	10/1981	Palka	.....	D26/87
D300,372	S	*	3/1989	O'Dohanue	.....	D26/85
D314,834	S	*	2/1991	Rottner	.....	D26/87
D383,237	S	*	9/1997	Porter	.....	D26/68
D383,239	S	*	9/1997	Porter	.....	D26/87
D429,363	S	*	8/2000	Hsieh	.....	D26/87
D436,418	S	*	1/2001	Porter	.....	D26/80
D439,003	S	*	3/2001	Hsu	.....	D26/87
D441,487	S	*	5/2001	Crosby	.....	D26/87
D442,728	S	*	5/2001	Littman	.....	D26/87
D487,322	S	*	3/2004	Hsu	.....	D26/92
D488,580	S	*	4/2004	Hsu	.....	D26/92

D620,174	S	*	7/2010	Sabernig	.....	D26/86
D652,975	S	*	1/2012	Harshaw	.....	D26/67
D685,125	S	*	6/2013	Dolan	.....	D26/86
D697,249	S	*	1/2014	Pyle	.....	D26/85
D699,339	S	*	2/2014	Wang	.....	D23/385
D726,952	S	*	4/2015	Kitts	.....	D26/85
D755,432	S	*	5/2016	Orozco	.....	D26/82
D822,259	S	*	7/2018	Fang	.....	D26/87
D829,360	S	*	9/2018	Mou	.....	D26/87
D831,875	S	*	10/2018	Sperling	.....	D26/92
D857,978	S	*	8/2019	Fan	.....	D26/119
D888,319	S	*	6/2020	Amato	.....	D26/87
D898,978	S	*	10/2020	Xu	.....	D26/82
2021/0088198	A1	*	3/2021	Kaule	.....	F21S 8/03

OTHER PUBLICATIONS

Hudson Valley Lighting Hempstead Wall Sconce, available from meadowblu.com, visited Jun. 6, 2022. (Year: 2022).\*

Jerico 3¼" Fitter Single Sconce, Item#A2964 from rejuvenation.com, visited Jun. 6, 2022. (Year: 2022).\*

Kohler Modern Farm One-light lacemaker sconce, Item #4957896 from lowes.com, visited Jun. 6, 2022. (Year: 2022).\*

\* cited by examiner

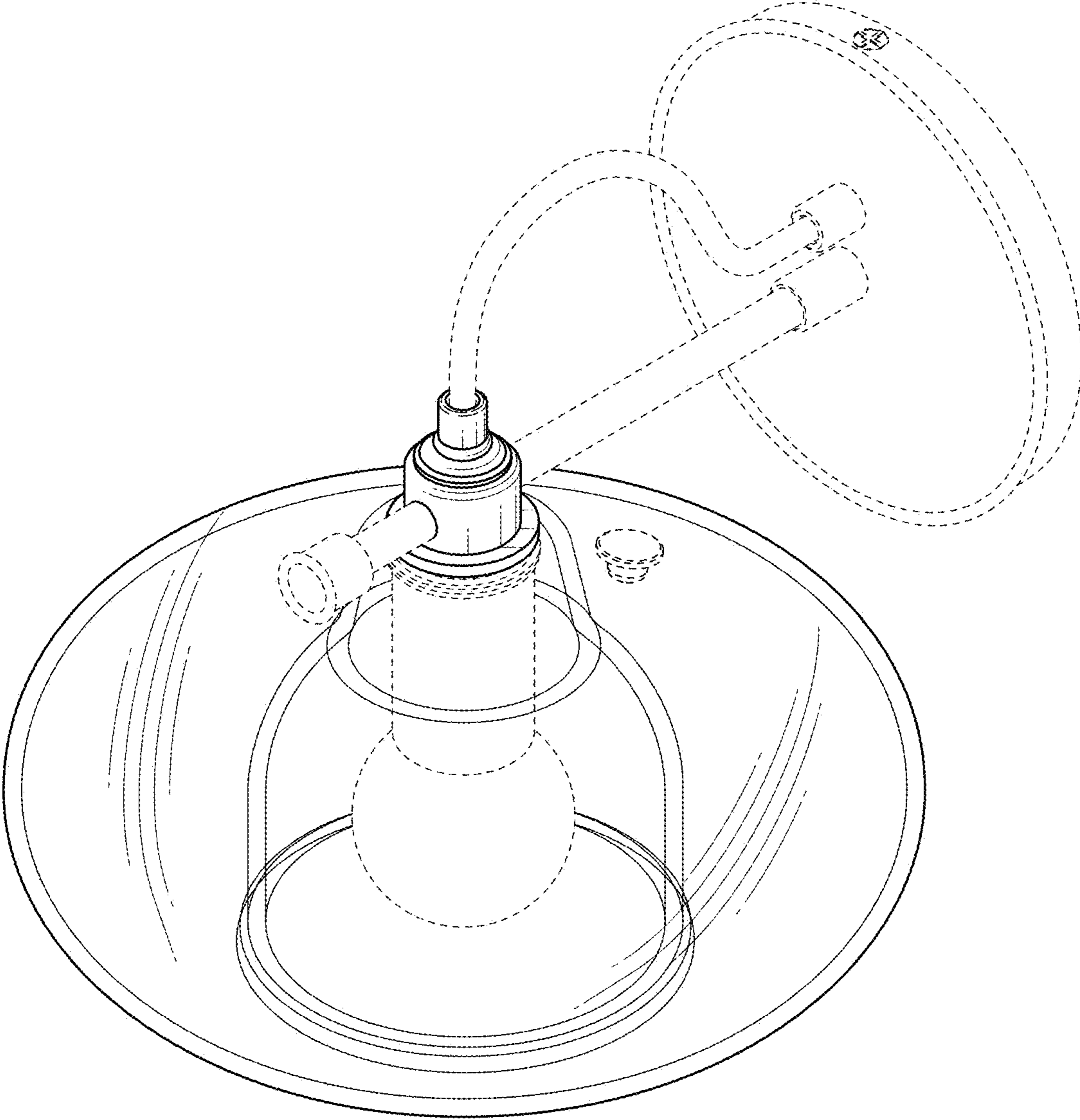


FIG. 1

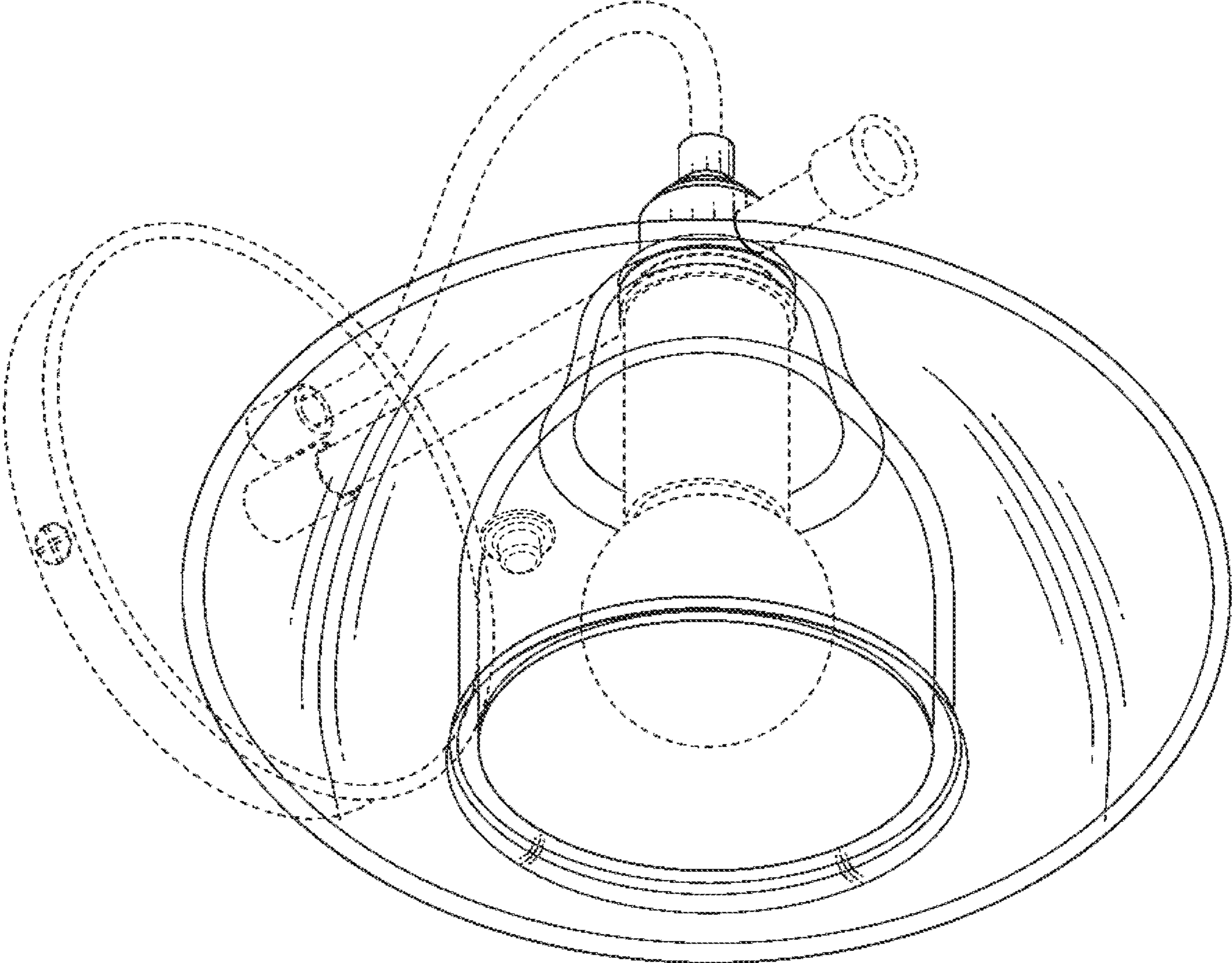


FIG. 2

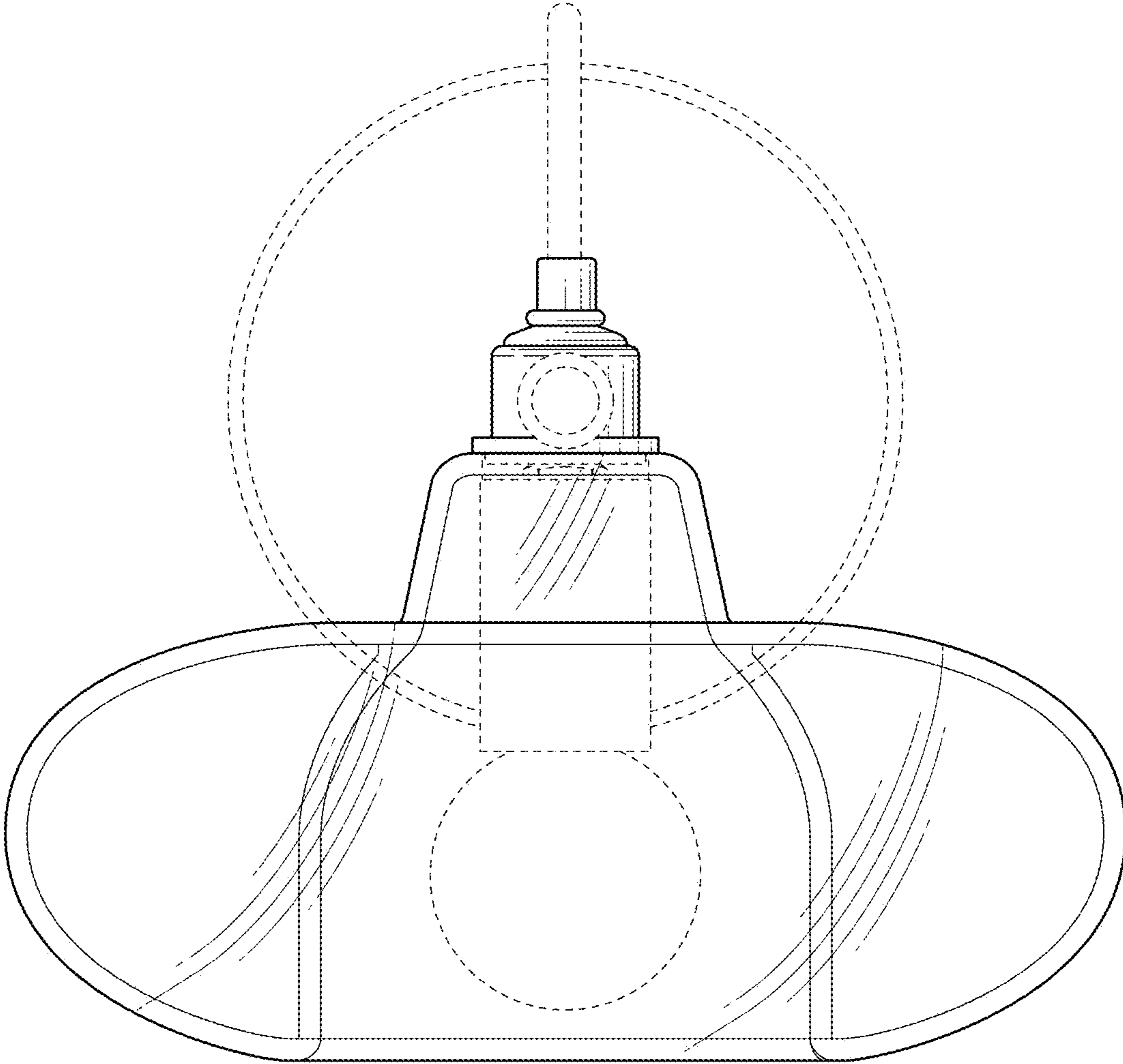


FIG. 3

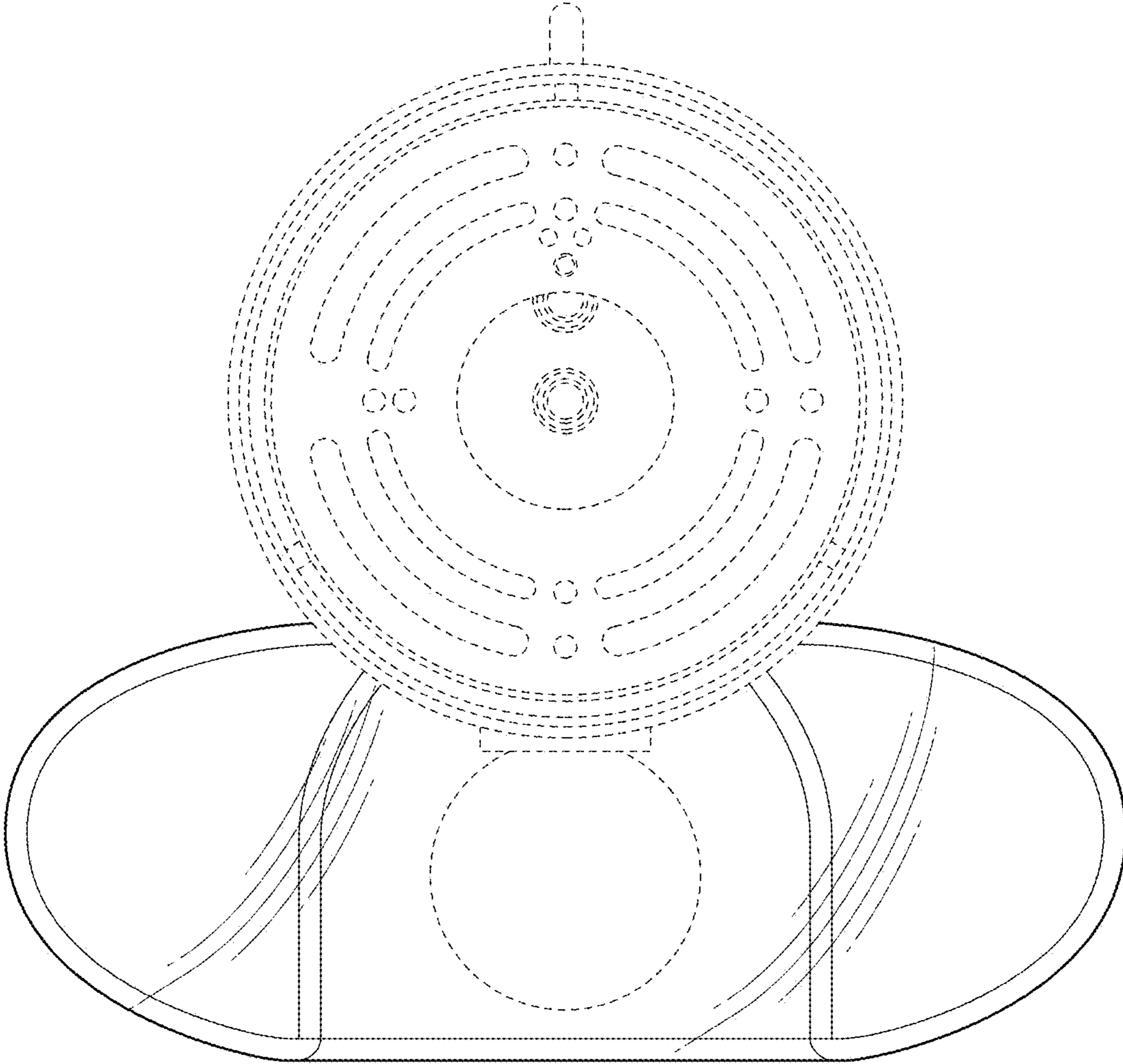


FIG. 4

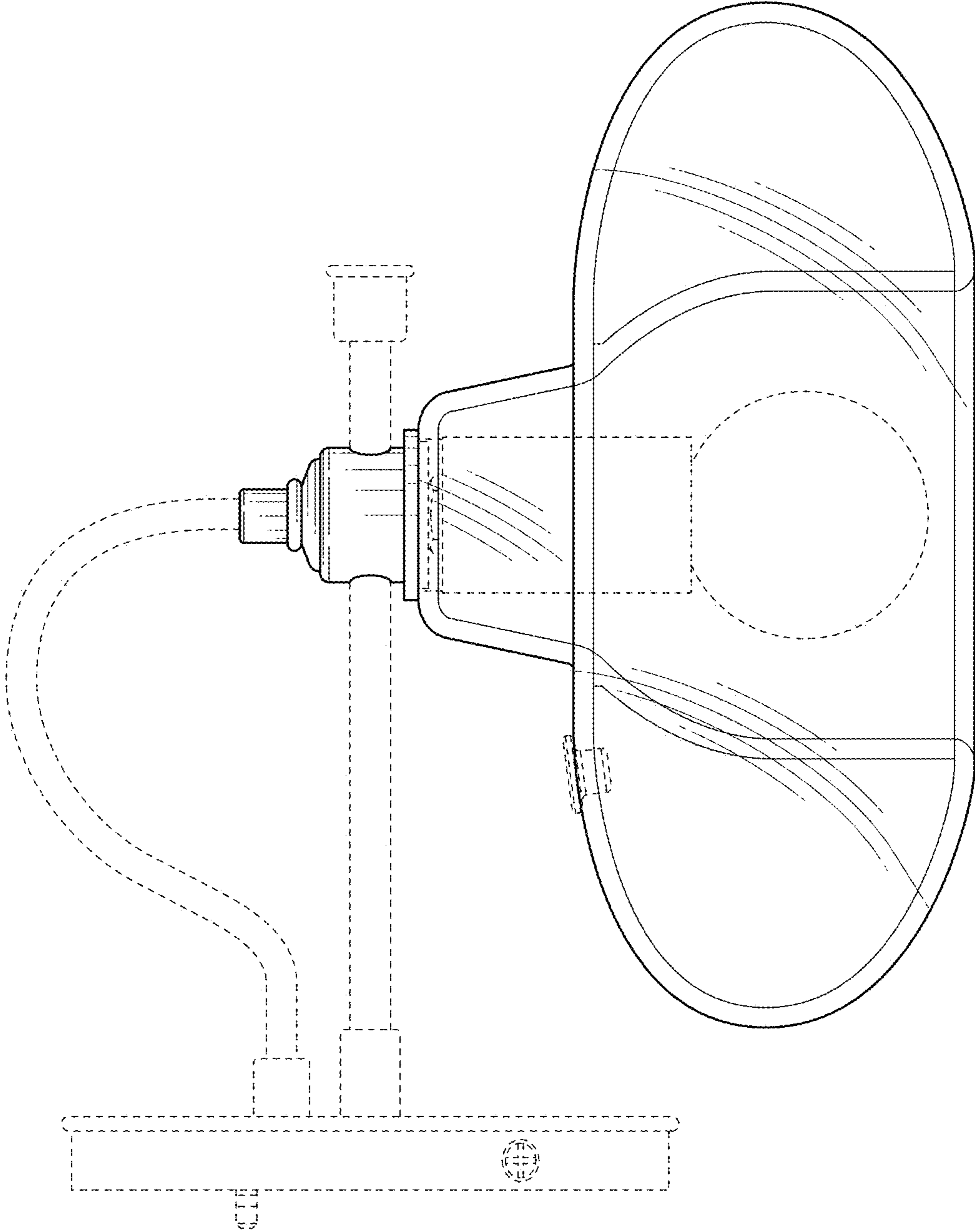


FIG. 5

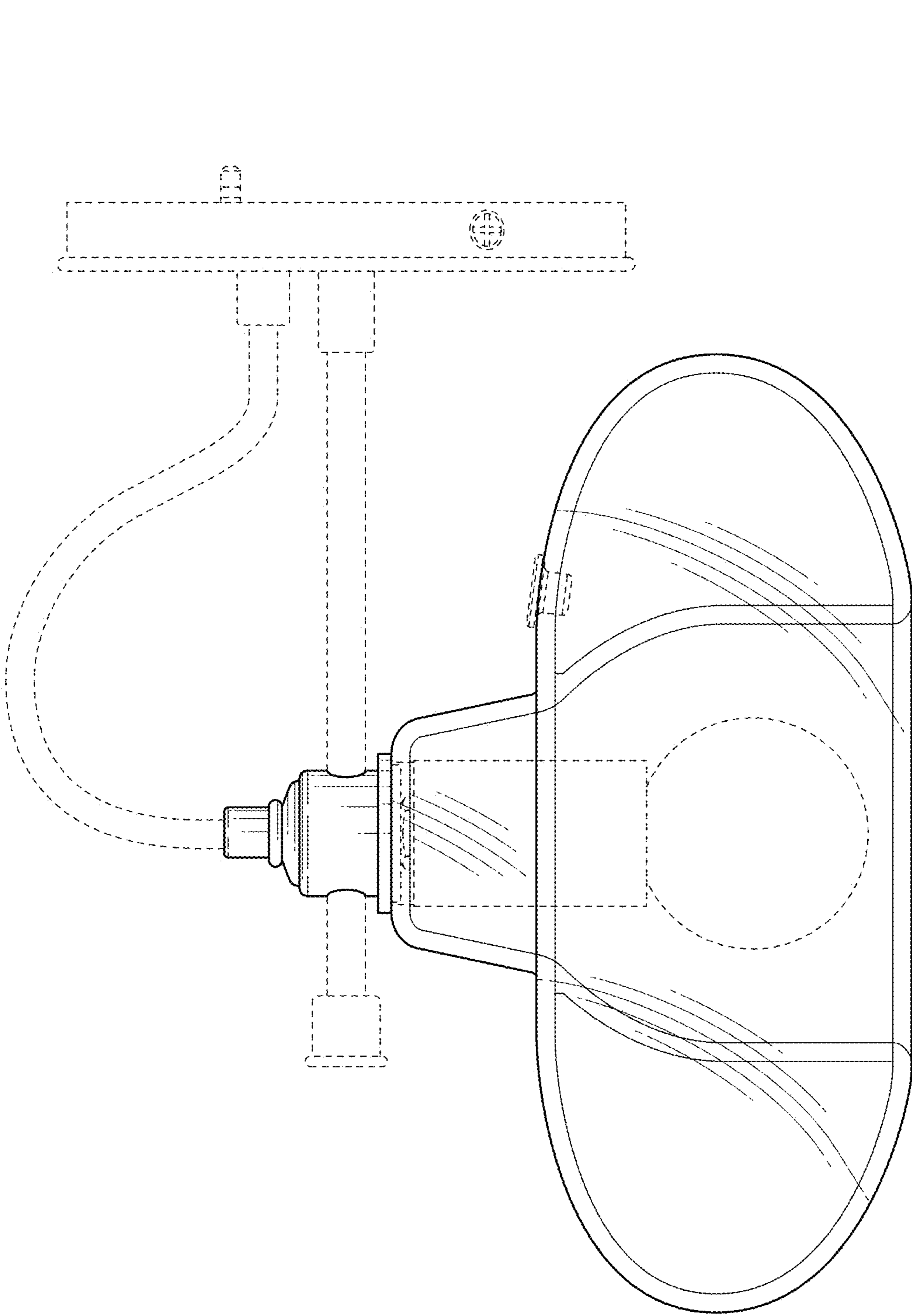


FIG. 6



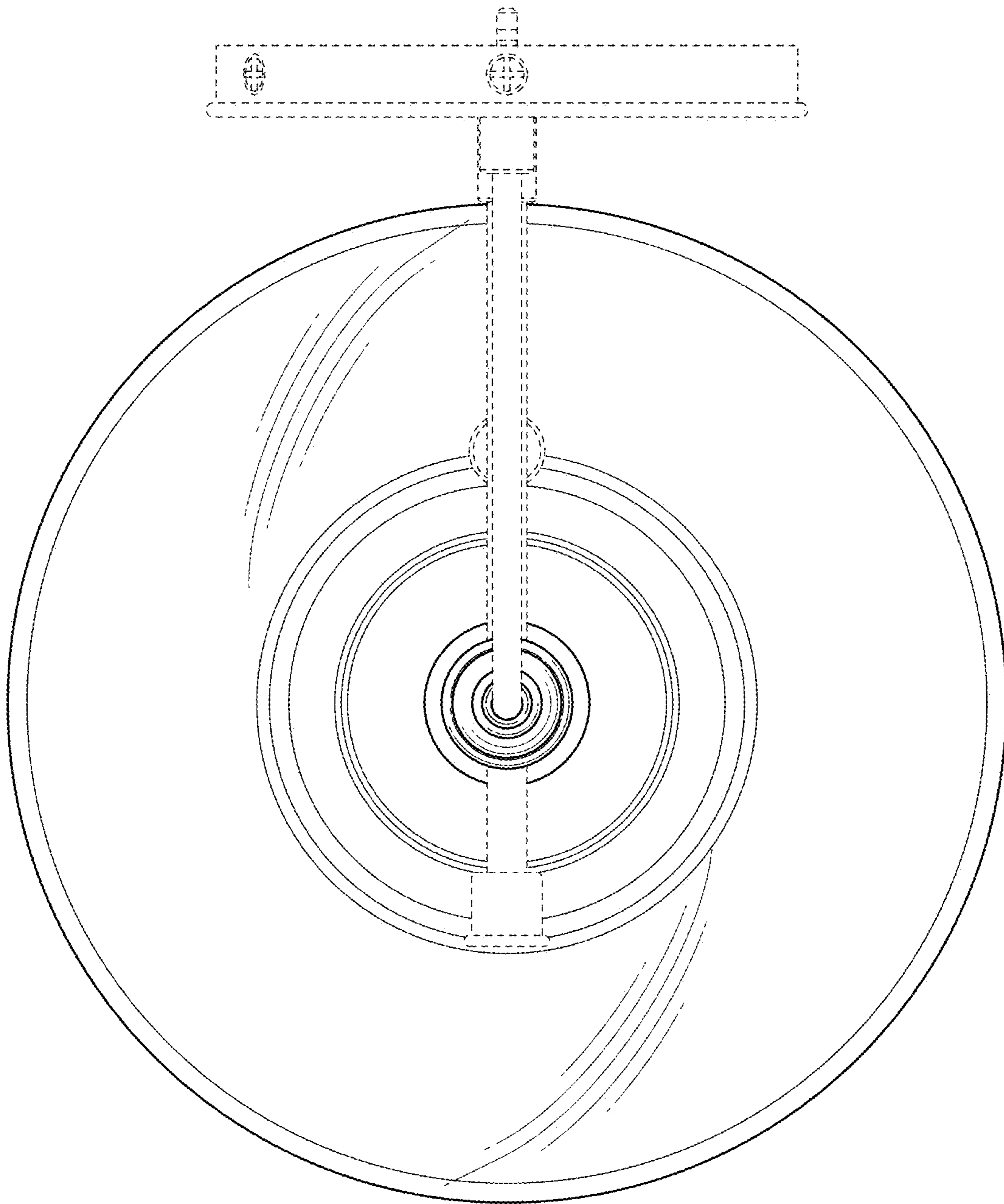


FIG. 7

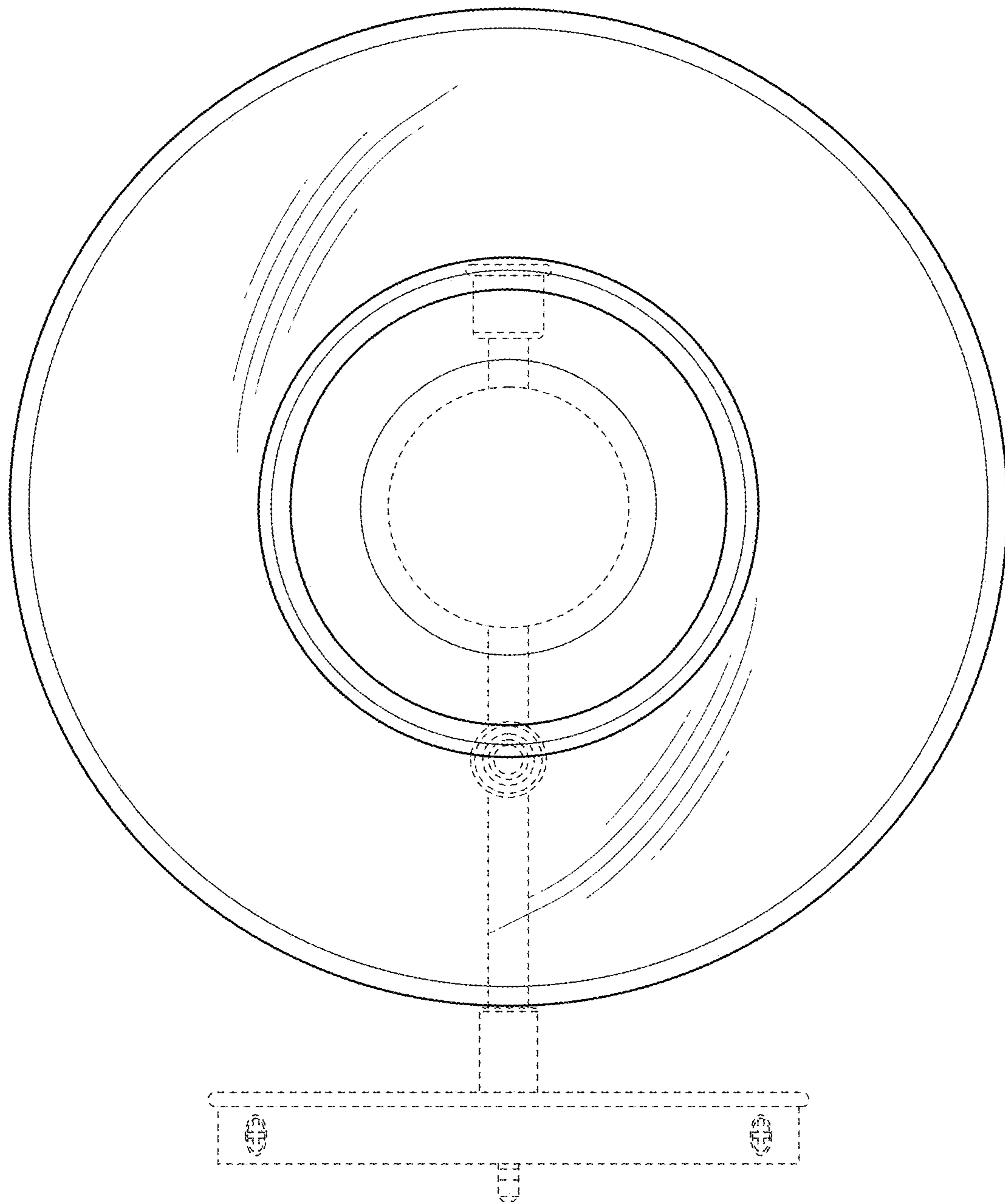


FIG. 8

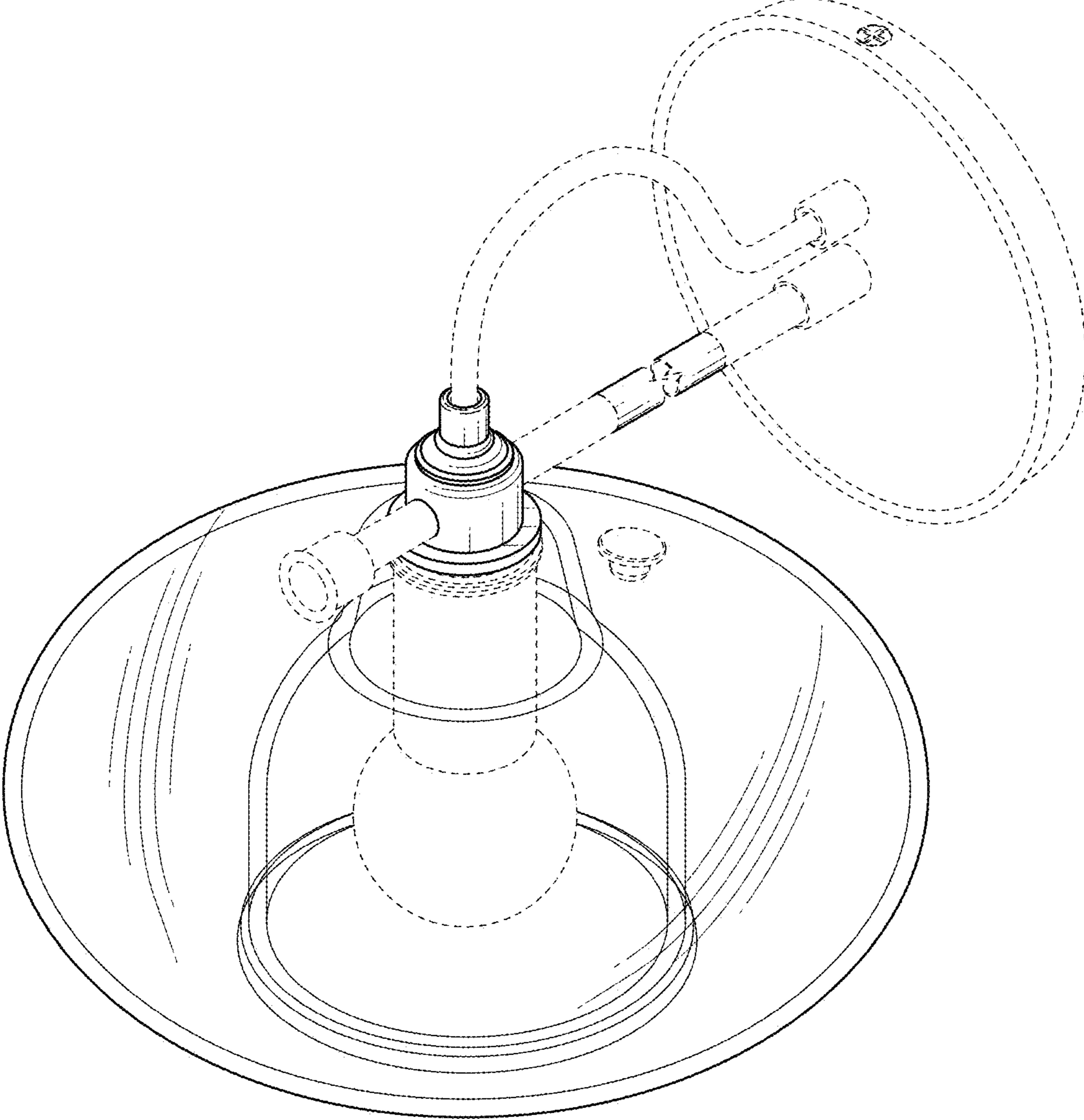


FIG. 9

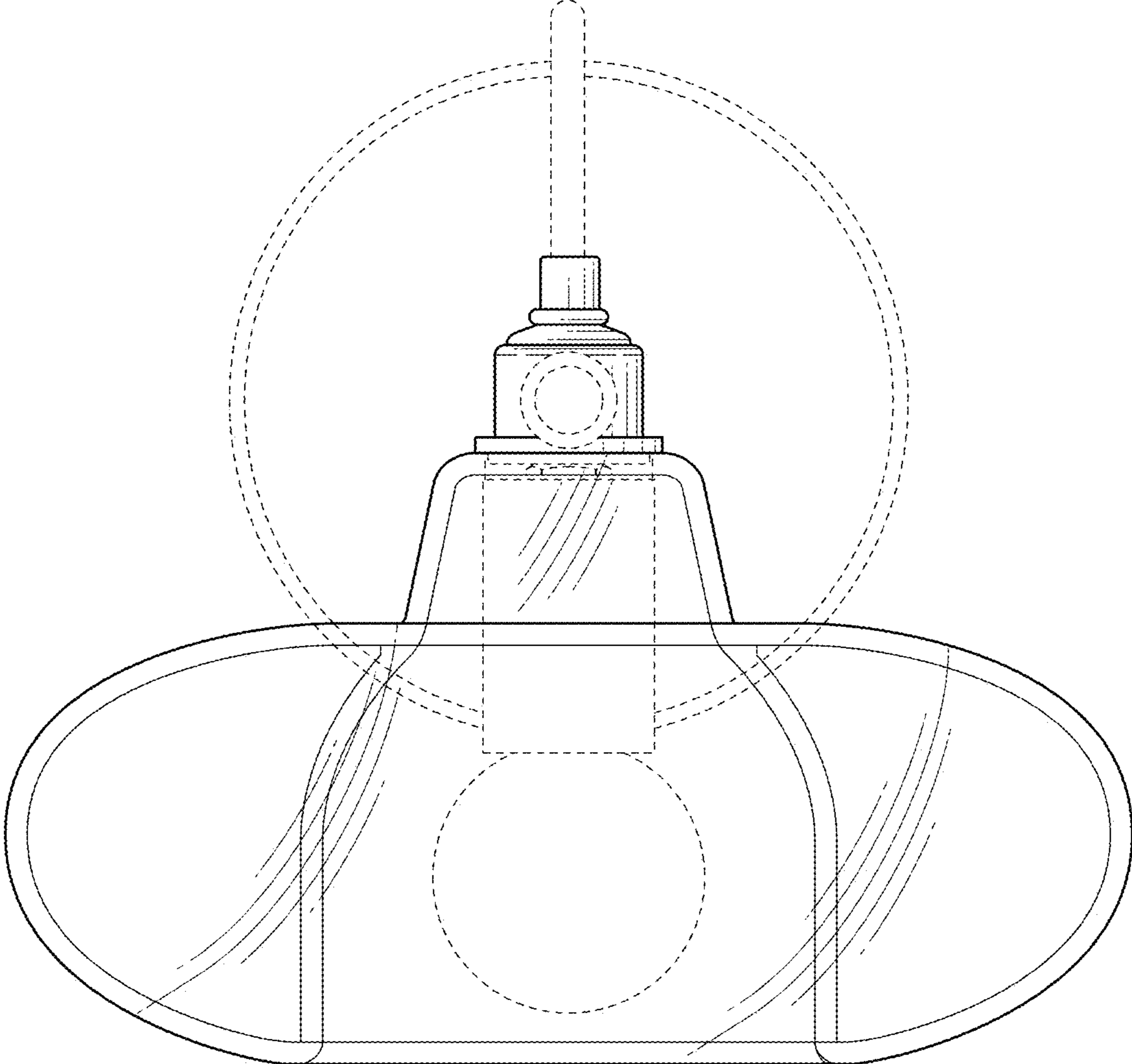


FIG. 10

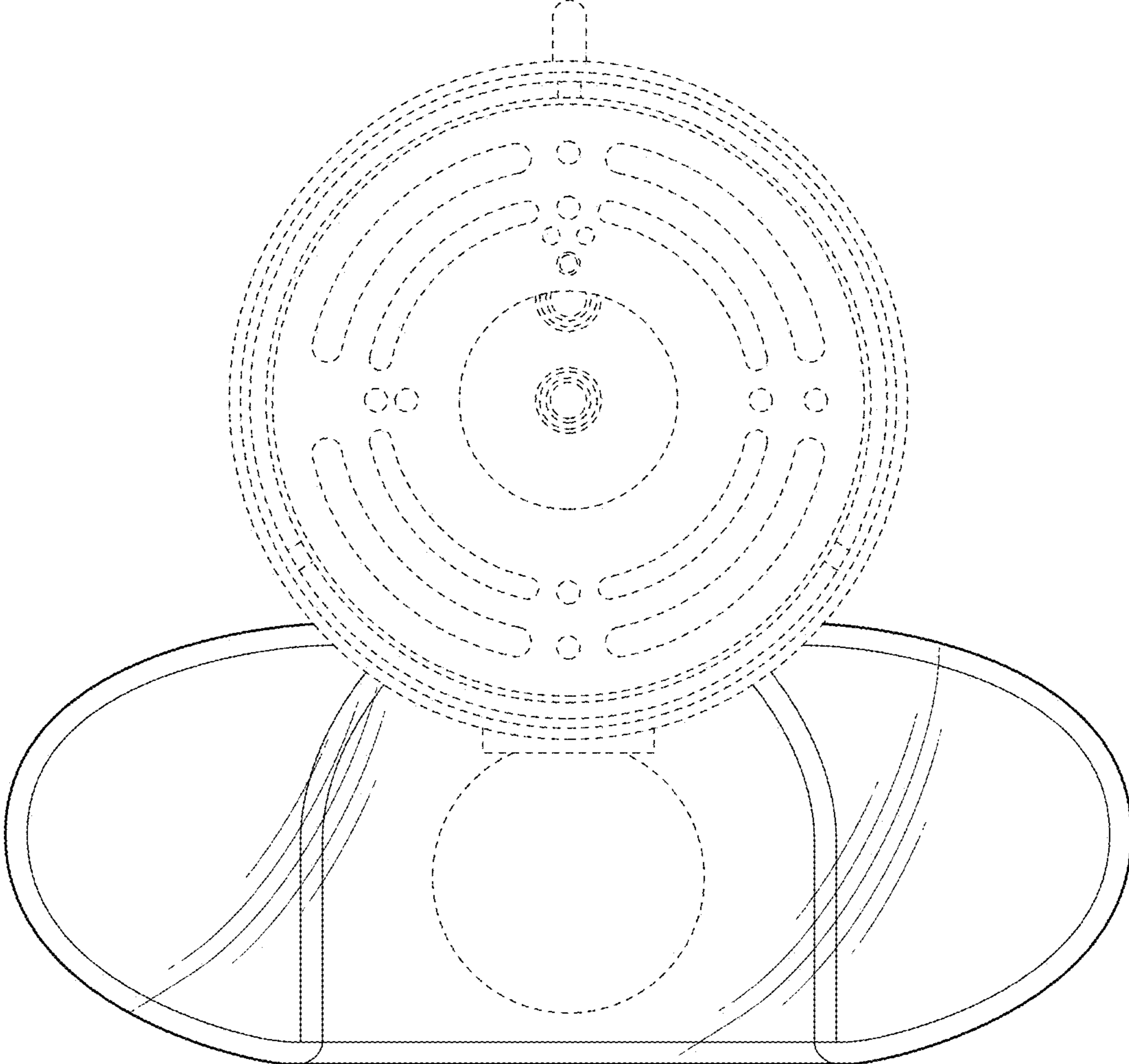


FIG. 11

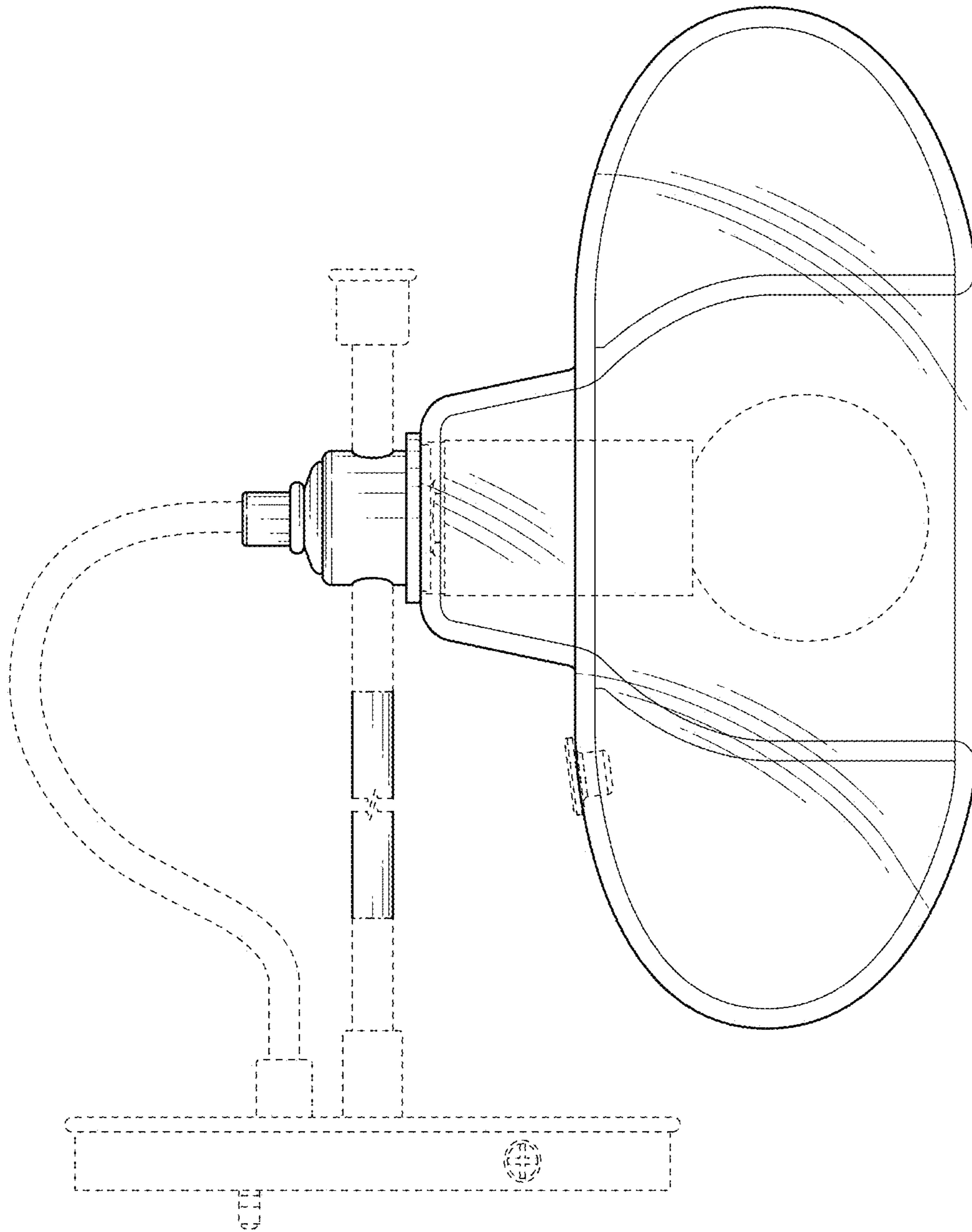


FIG. 12

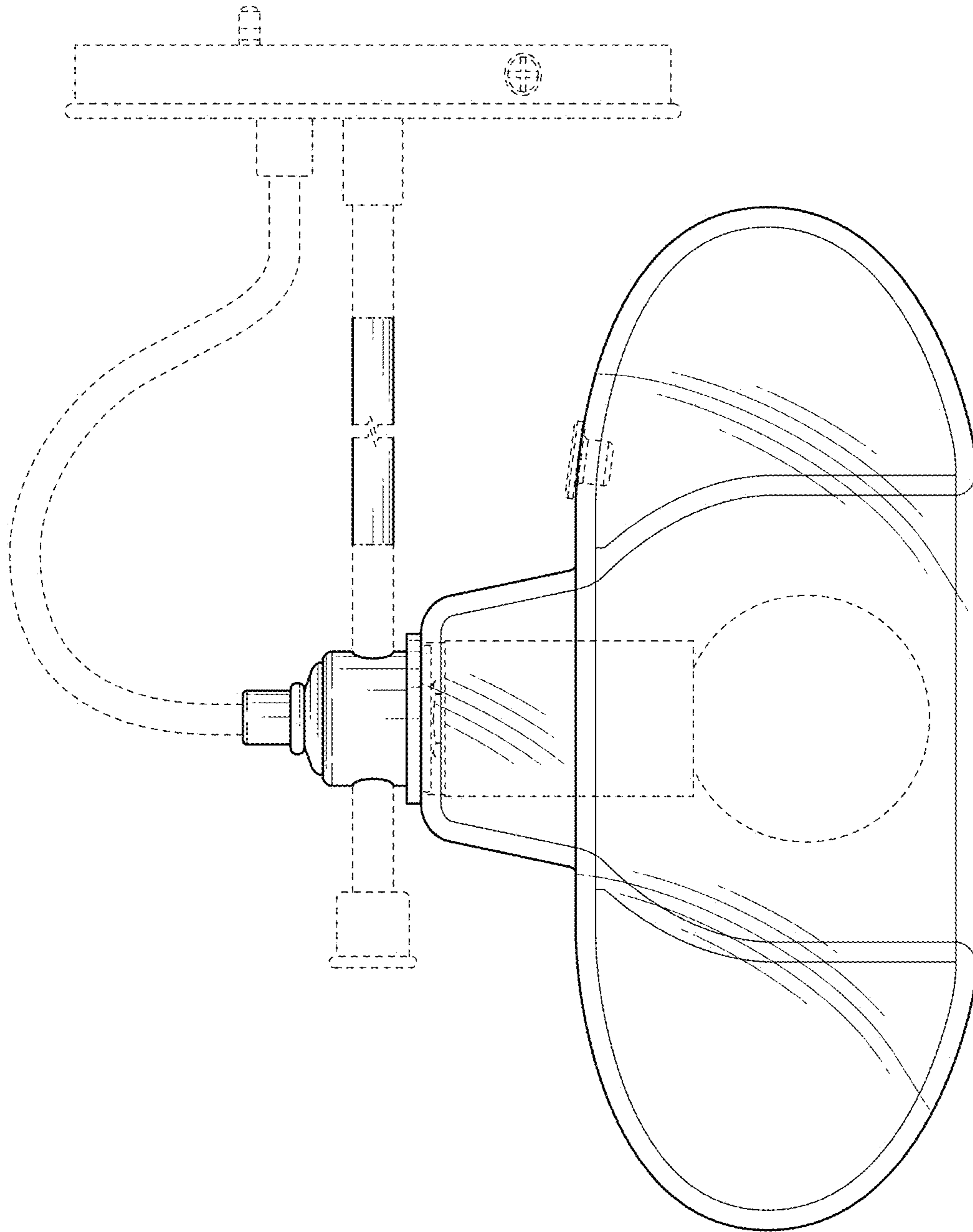


FIG. 13

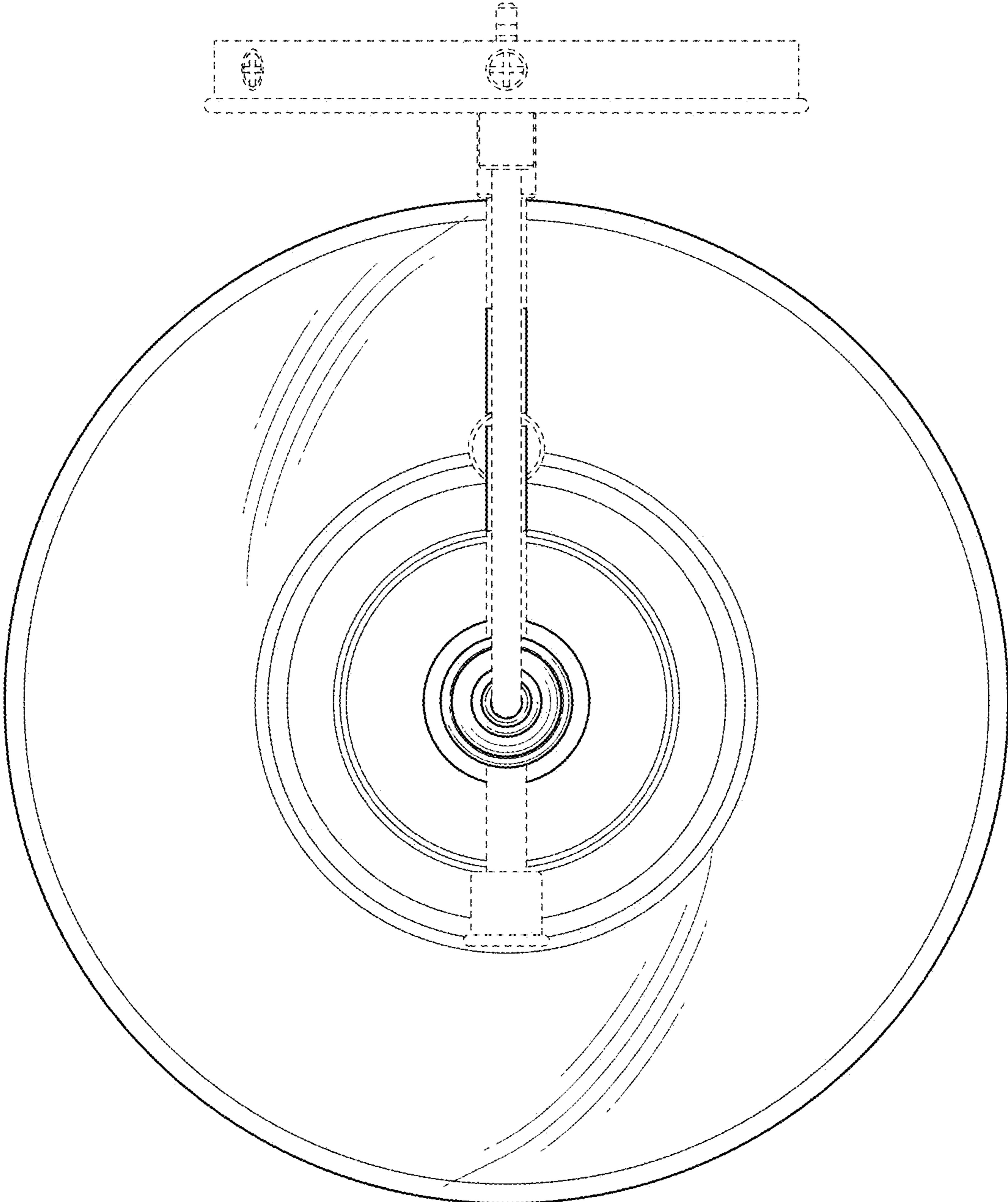


FIG. 14



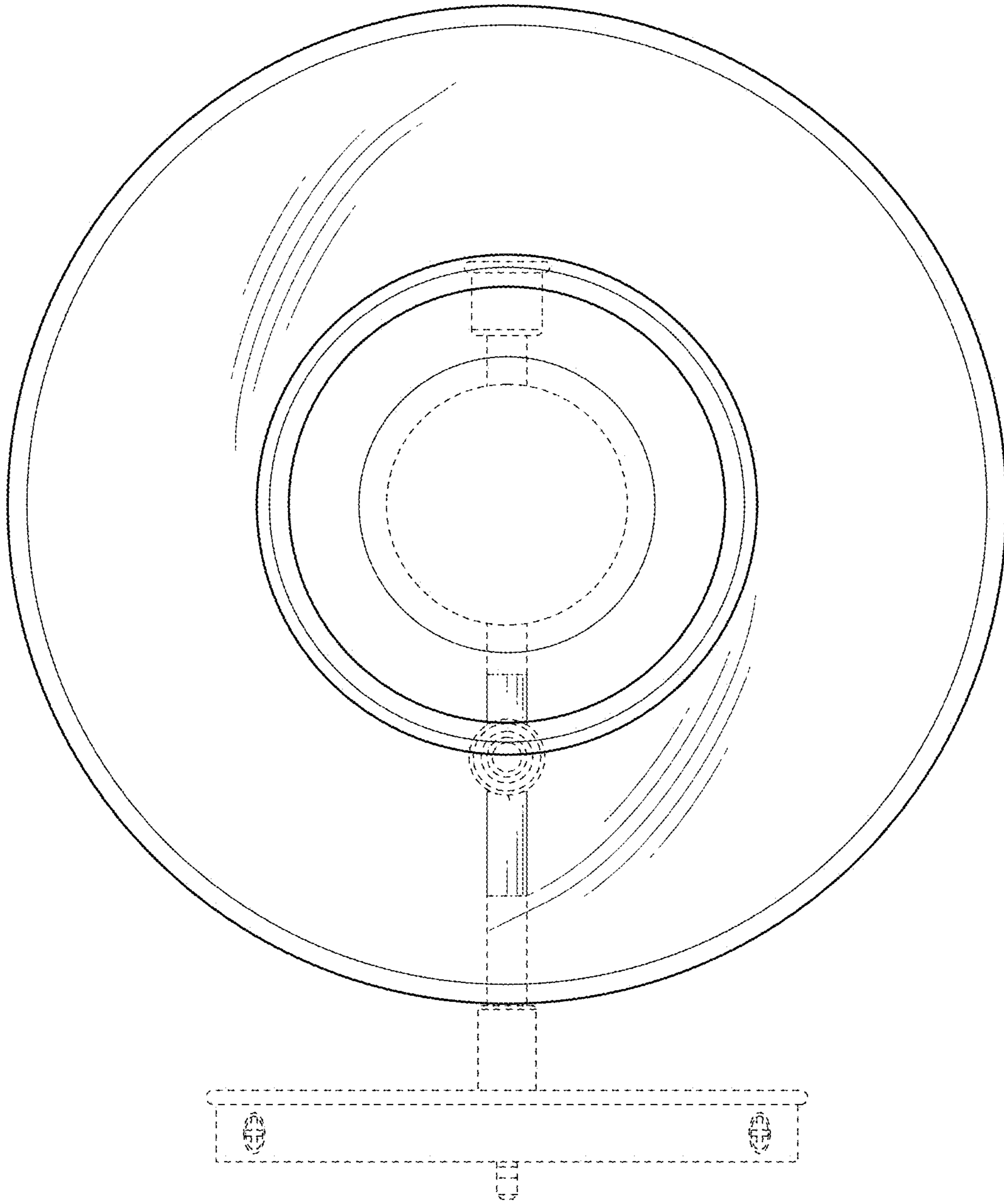


FIG. 15