

US00D966594S

(12) **United States Design Patent** (10) **Patent No.:** **US D966,594 S**
Qiu (45) **Date of Patent:** **** Oct. 11, 2022**

(54) **OUTDOOR LIGHT**

(71) Applicant: **Shenzhen Qianbaoge Trading Co., Ltd.**, Shenzhen (CN)

(72) Inventor: **Zhenguo Qiu**, Shenzhen (CN)

(**) Term: **15 Years**

(21) Appl. No.: **29/841,893**

(22) Filed: **Jun. 9, 2022**

(51) **LOC (13) Cl.** **26-05**

(52) **U.S. Cl.**
USPC **D26/85**

(58) **Field of Classification Search**
USPC D26/24, 37-52, 60-61, 63, 65, 72, 81, D26/85, 88, 93-94, 104-108, 113, 138
CPC F21W 2131/10; F21W 2131/103; F21W 2131/109; F21W 2121/00; F21W 2121/004; F21W 2111/023; F21W 2131/40; F21W 2131/107; F21W 2131/30; F21Y 2115/10; F21V 21/30; F21V 15/01; F21V 23/0442

See application file for complete search history.

(56) **References Cited**

U.S. PATENT DOCUMENTS

D427,355 S *	6/2000	Miranda	D26/87
D429,018 S *	8/2000	De'Armond	D26/85
D445,937 S	7/2001	Sanoner		
D457,979 S *	5/2002	Chen	D26/72
D458,702 S	6/2002	Ellis		
D461,578 S	8/2002	Cheong		
D467,380 S *	12/2002	Dolan	D26/92
D475,797 S *	6/2003	Cheong	D26/37
D482,478 S *	11/2003	Cheong	D26/89
D504,189 S	4/2005	Hon		

(Continued)

OTHER PUBLICATIONS

2 Pack Motion Sensor Outdoor Wall Lanterns. By Lakumu Store. Dated Dec. 5, 2020. Found online [Jul. 7, 2022]. <https://www.amazon.com/Lanterns-Waterproof-Fixtures-Entryway-Activated/dp/B08JGNYSF4> (Year: 2020).*

amazon.com/Lanterns-Waterproof-Fixtures-Entryway-Activated/dp/B08JGNYSF4 (Year: 2020).*

Primary Examiner — Marissa J Cash

Assistant Examiner — William B Melliar

(74) *Attorney, Agent, or Firm* — Rumit Ranjit Kanakia

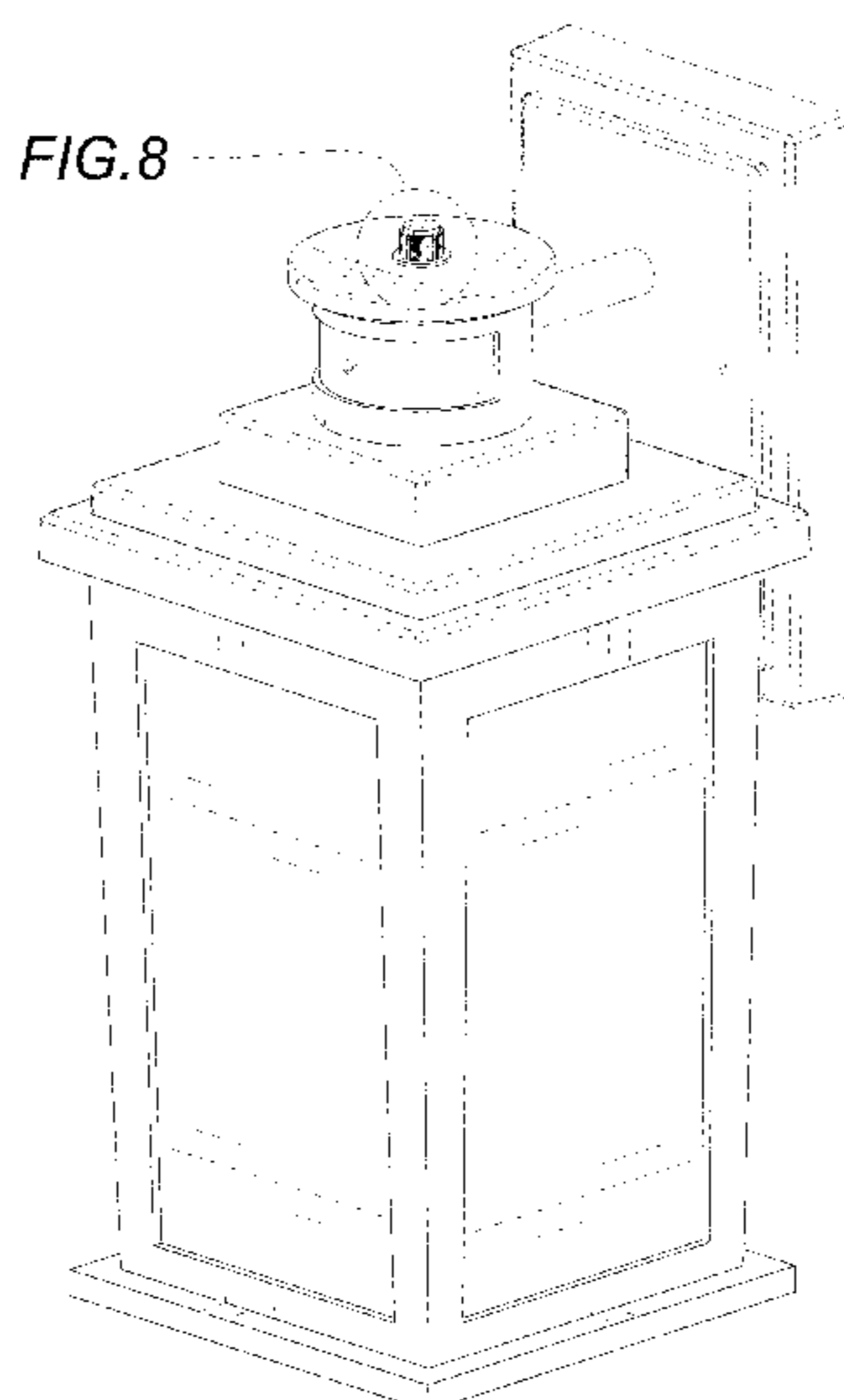
(57) **CLAIM**

The ornamental design for a outdoor light, as shown and described.

DESCRIPTION

FIG. 1 is a perspective view of the outdoor light, showing the first embodiment of my new design; FIG. 2 is another perspective view thereof; FIG. 3 is a front elevational view thereof; FIG. 4 is a rear elevational view thereof; FIG. 5 is a left plan view thereof, the right plan view being a mirror image of FIG. 5; FIG. 6 is a top plan view thereof; FIG. 7 is a bottom plan view thereof; FIG. 8 is a partial enlarged view of FIG. 1; FIG. 9 is a partial enlarged view of FIG. 6; FIG. 10 is a perspective view of the outdoor light, showing the second embodiment of my new design; FIG. 11 is another perspective view thereof; FIG. 12 is a front elevational view thereof; FIG. 13 is a rear elevational view thereof; FIG. 14 is a left plan view thereof, the right plan view being a mirror image of FIG. 14; FIG. 15 is a top view thereof; FIG. 16 is a bottom view thereof; FIG. 17 is a partial enlarged view of FIG. 10; and, FIG. 18 is a partial enlarged view of FIG. 15. The broken lines in the figures are for the purposes of illustrating portions of the outdoor light, which form no part of the claimed design. The additional broken lines shown in FIGS. 1, 6, 8-10, 15, and 17-18 surrounding the detail views are for annotative purposes only and form no part thereof.

1 Claim, 16 Drawing Sheets



(56)

References Cited

U.S. PATENT DOCUMENTS

D563,016 S	2/2008	Ho	
D563,584 S	3/2008	Lee	
D563,585 S	3/2008	Lee	
D563,586 S	3/2008	Lee	
D629,133 S	12/2010	Chen	
D653,379 S *	1/2012	Chen	D26/85
D684,293 S *	6/2013	Lastimoso	D26/85
D694,458 S *	11/2013	Yang	D26/85
D756,545 S *	5/2016	Goodsell	D26/9
D766,489 S *	9/2016	Moon	D26/87
D837,438 S *	1/2019	Xie	D10/106.8
D903,915 S *	12/2020	Zhang	D26/51
D913,564 S *	3/2021	Glazer	F21S 8/036 D26/87
D920,560 S *	5/2021	Wang	D26/51
D942,065 S *	1/2022	Orozco	D26/85

* cited by examiner

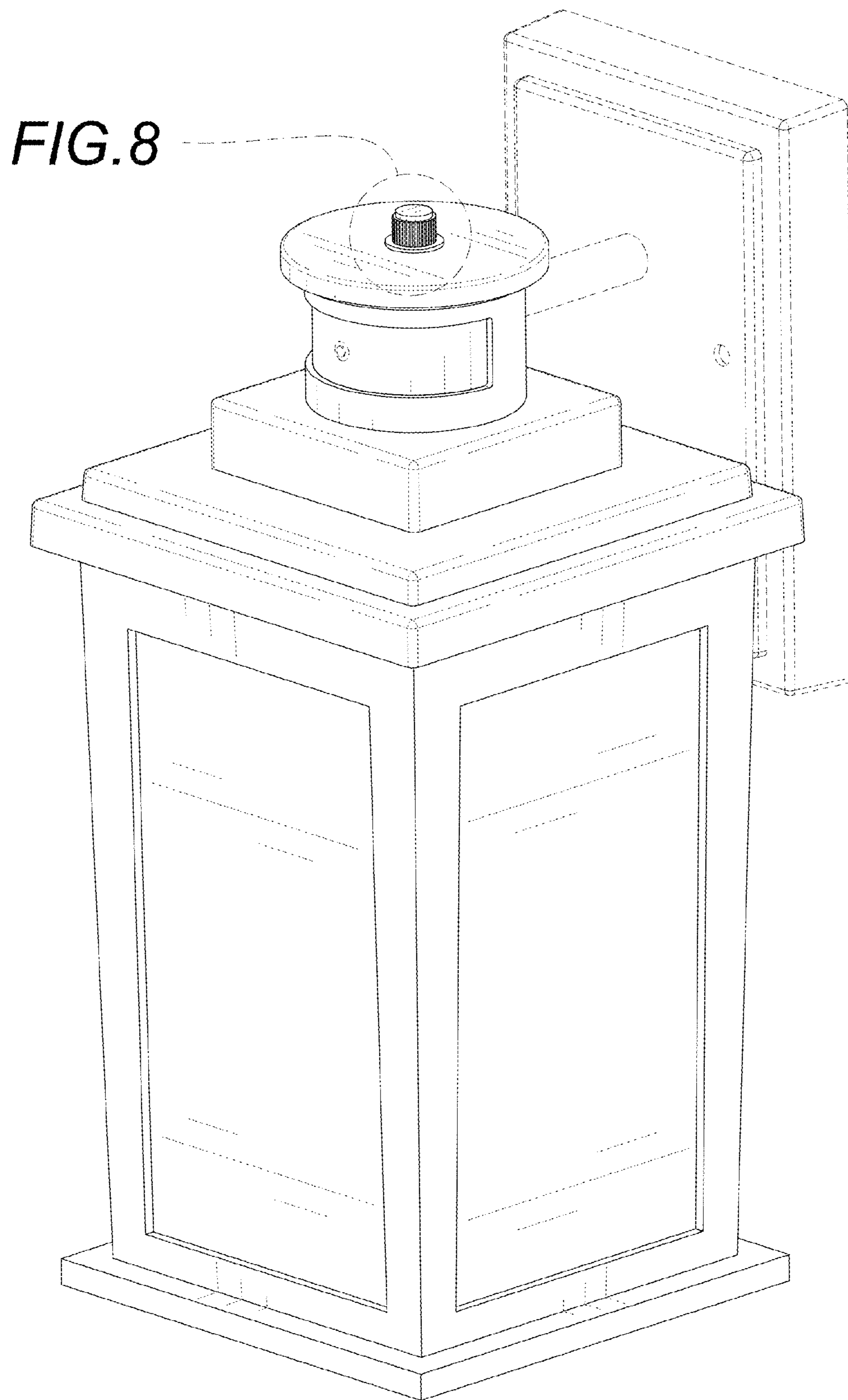


FIG. 1

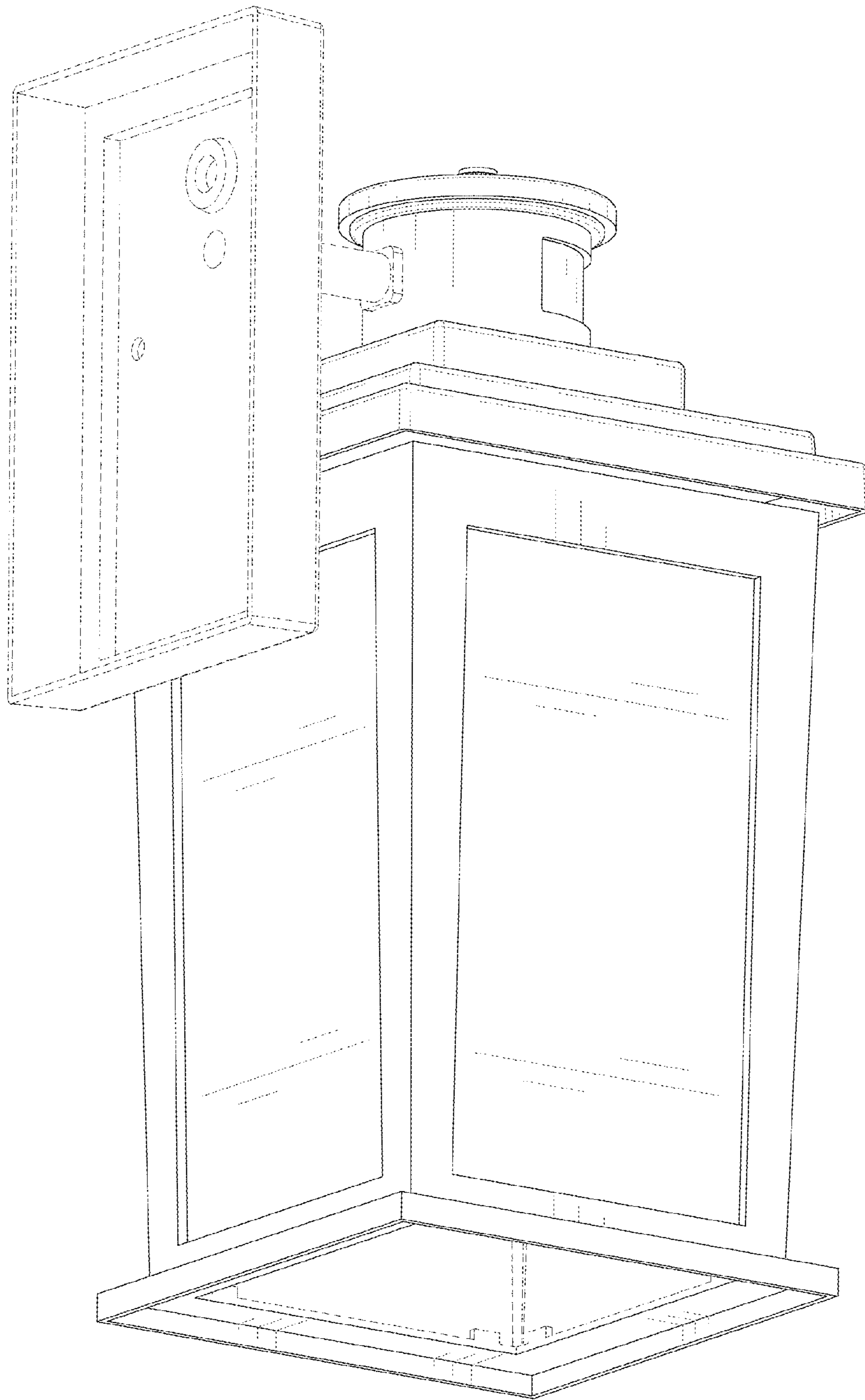


FIG. 2

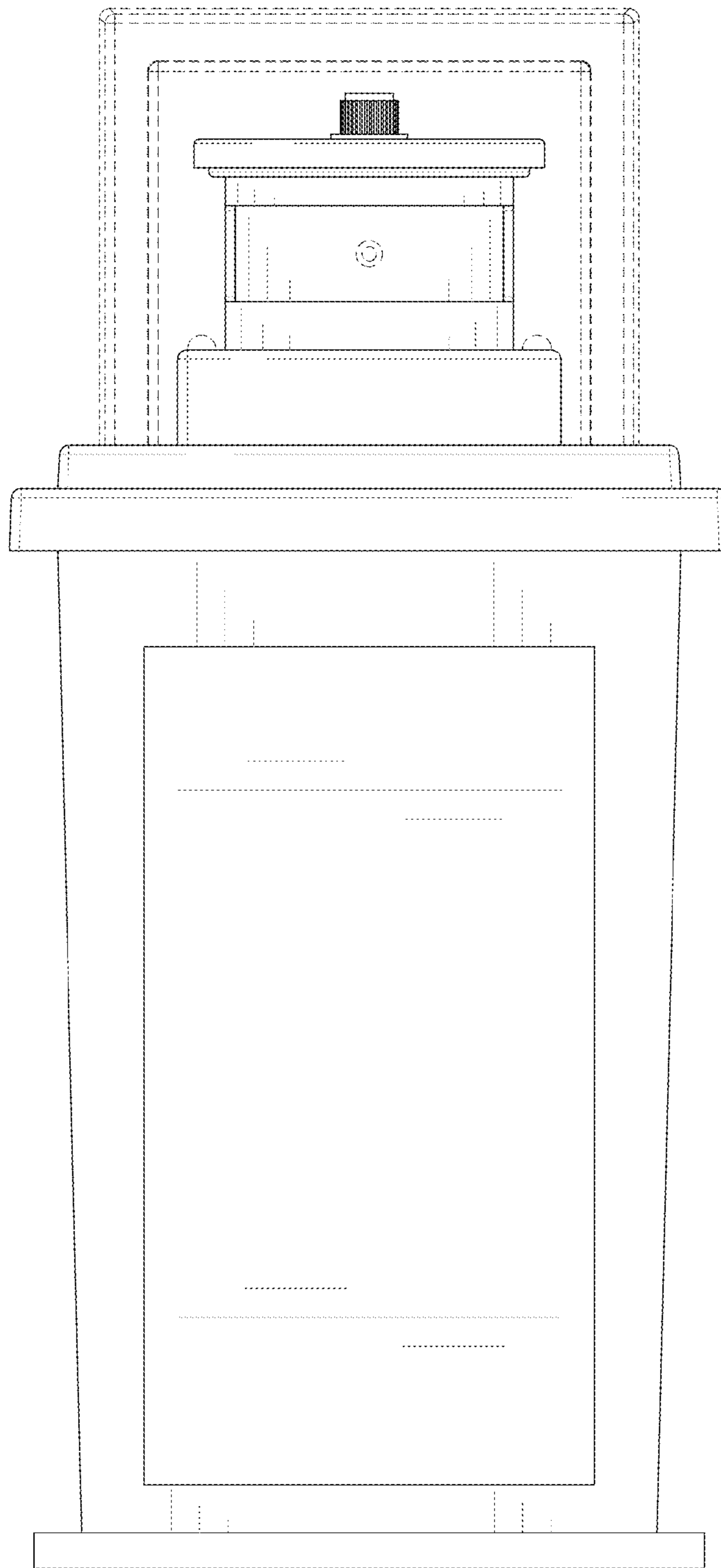


FIG. 3

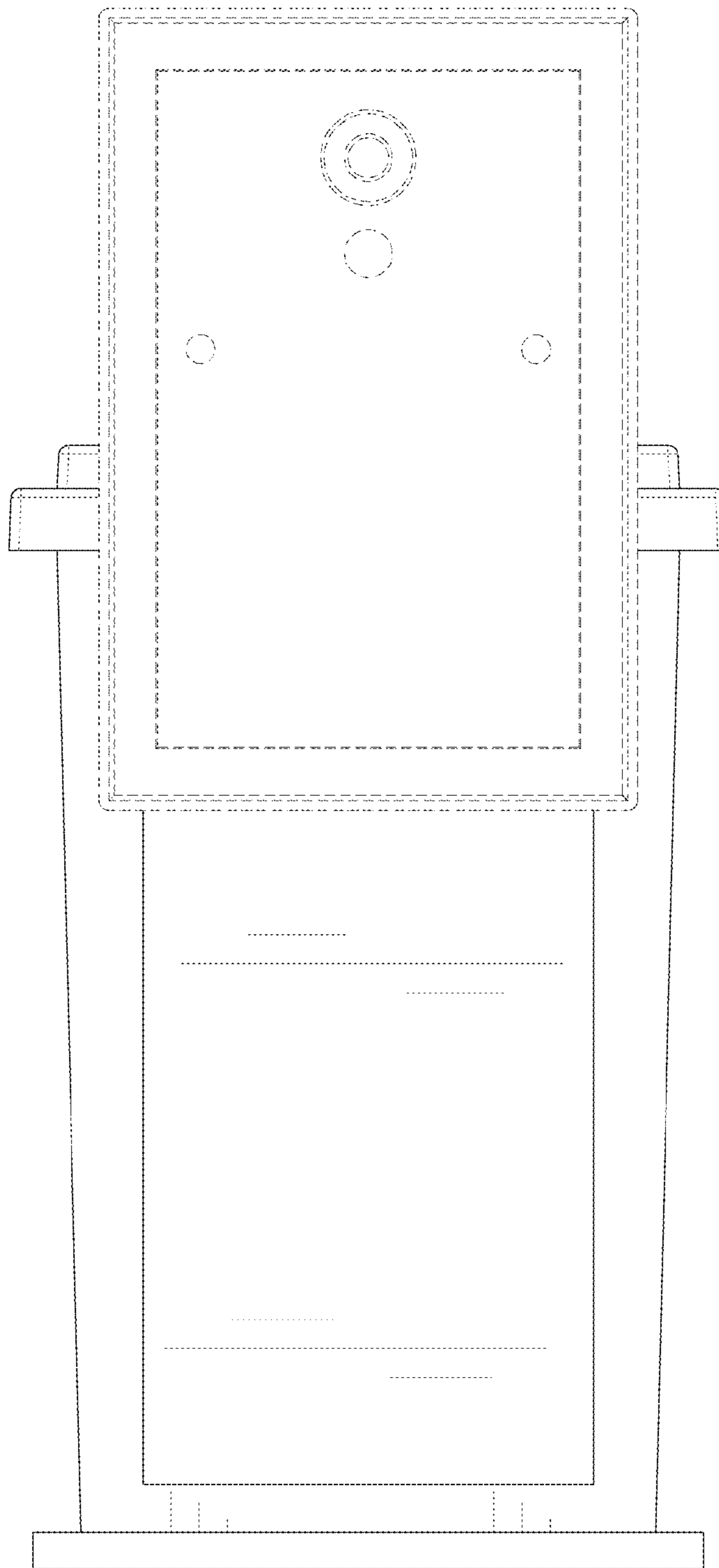


FIG. 4

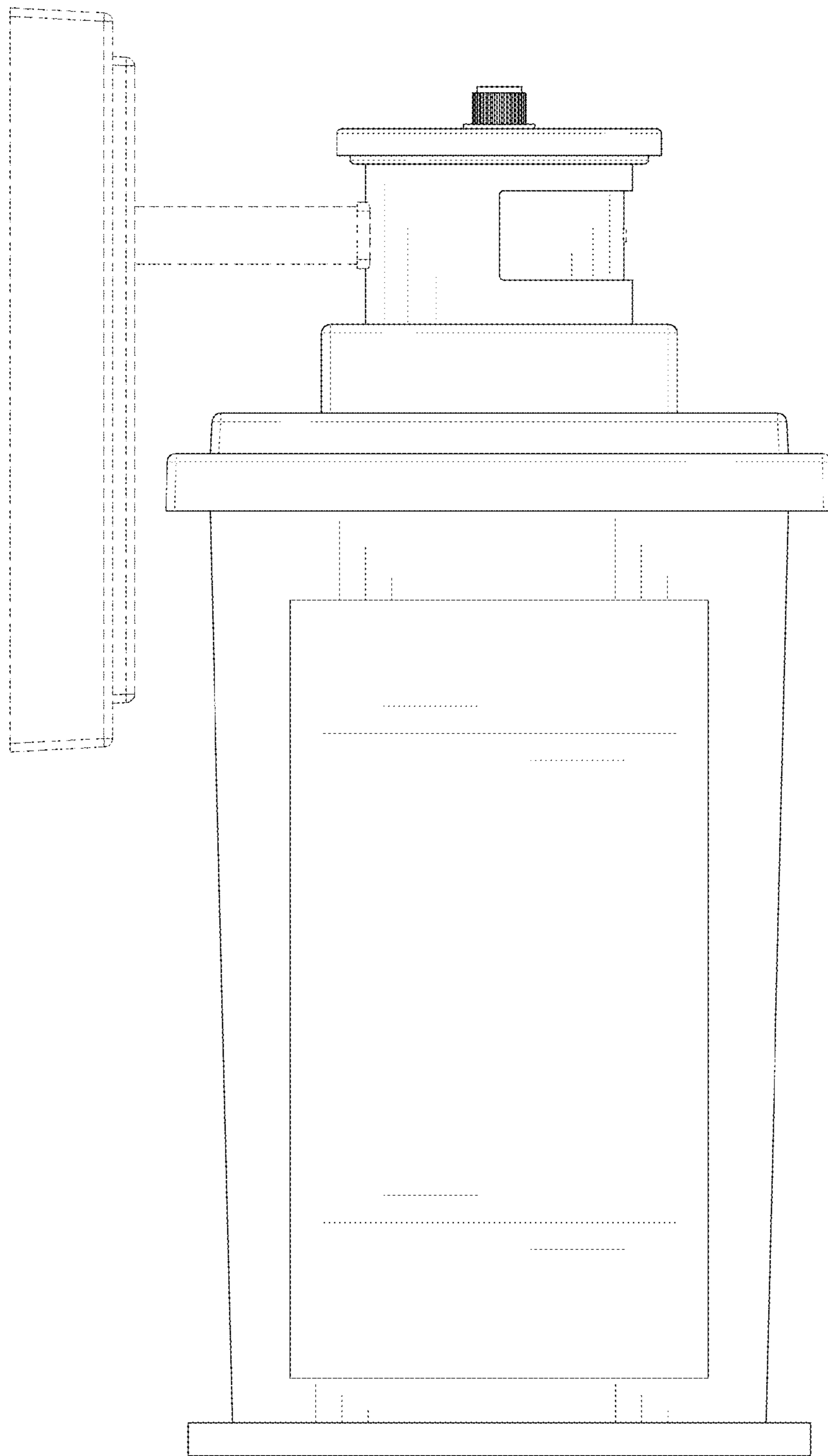


FIG. 5

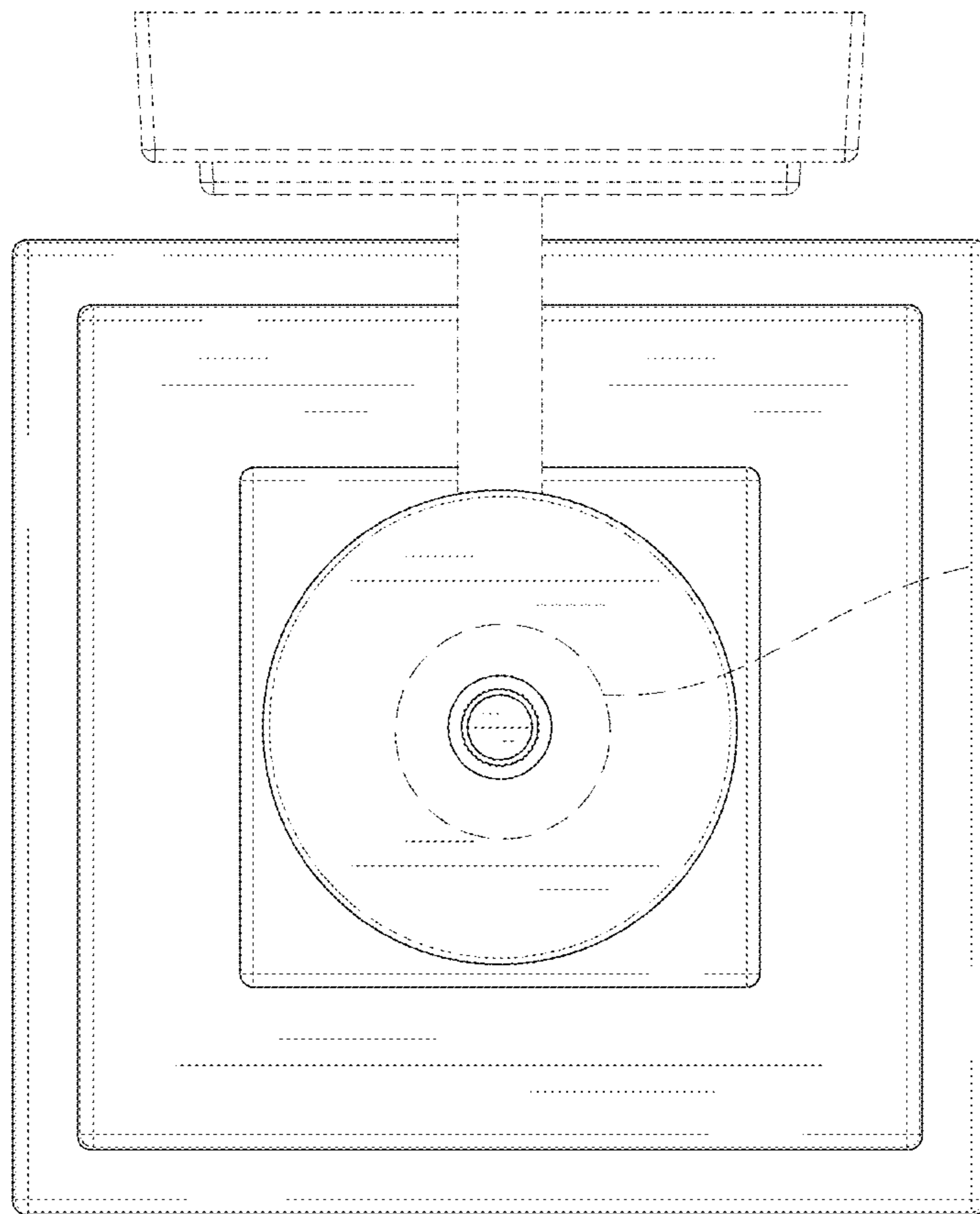


FIG. 9

FIG. 6

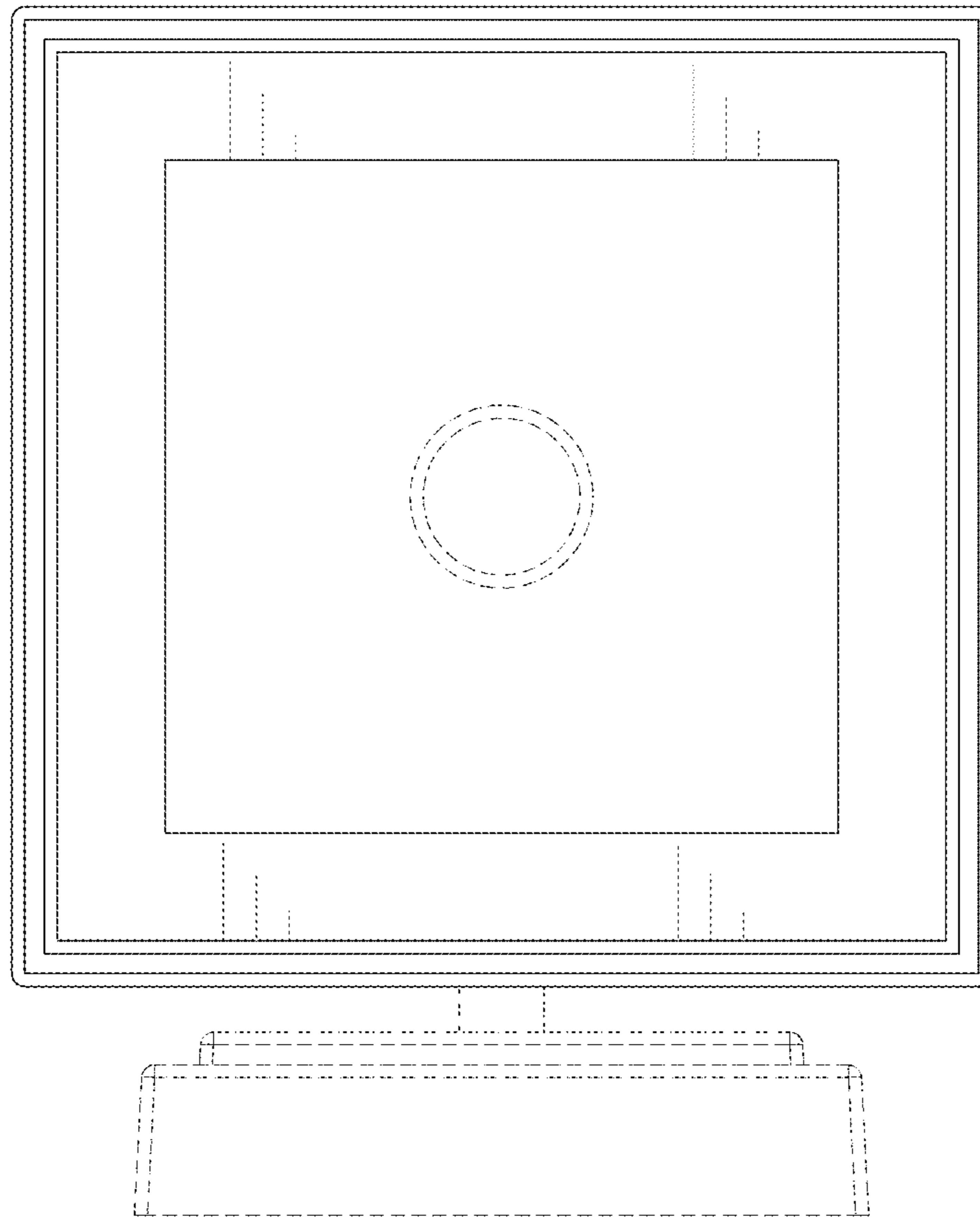


FIG. 7

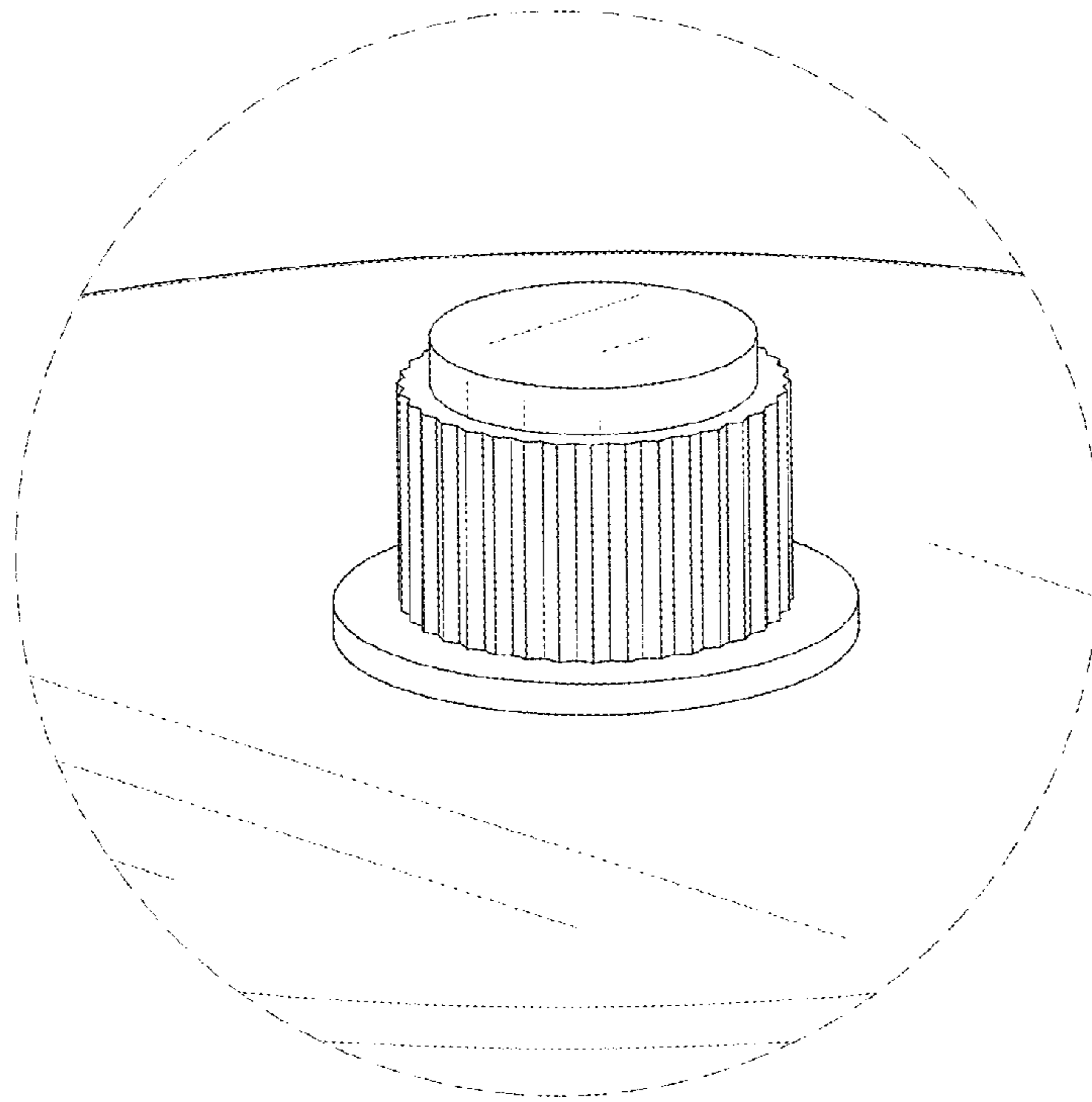


FIG. 8

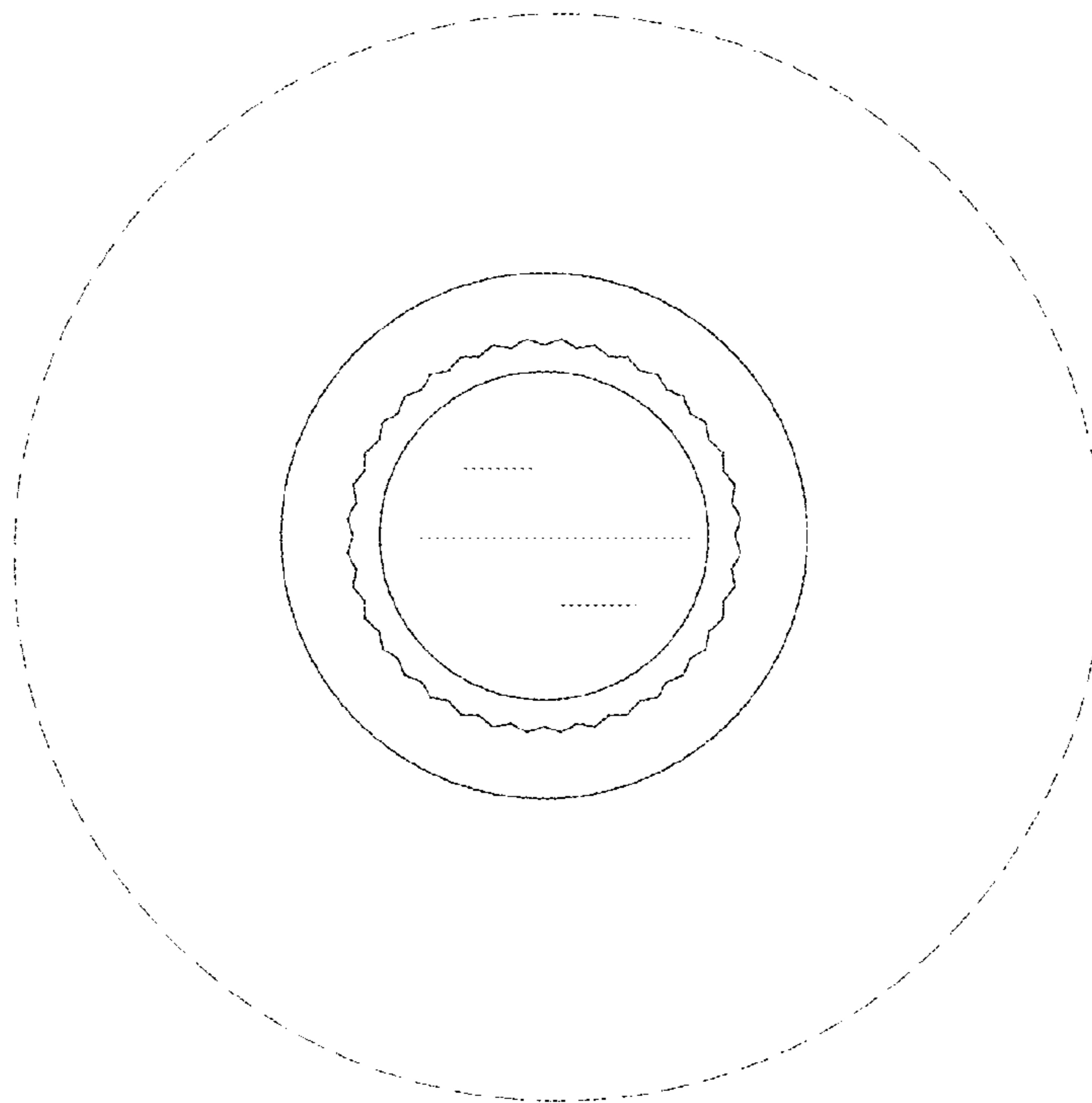


FIG. 9

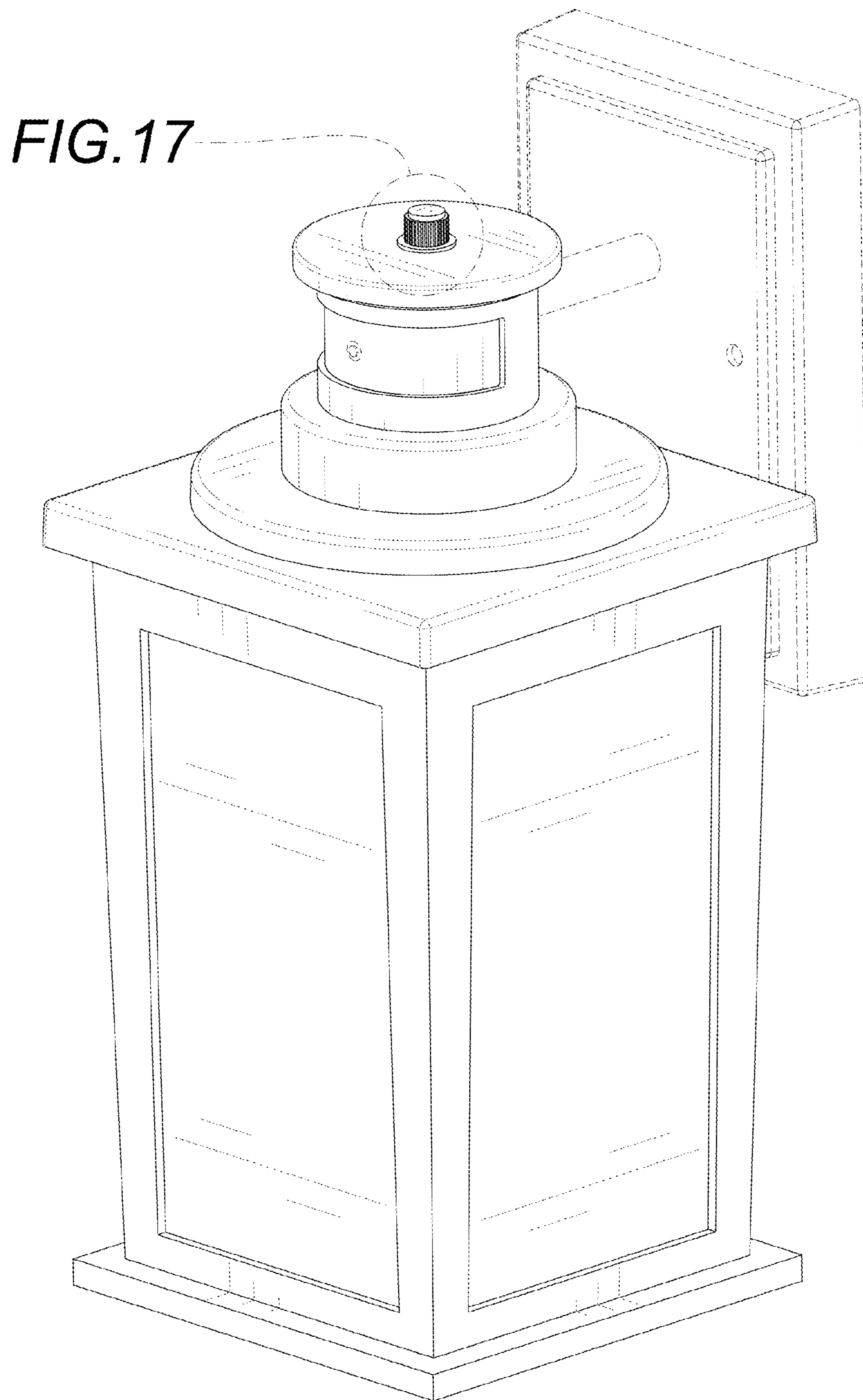


FIG. 10

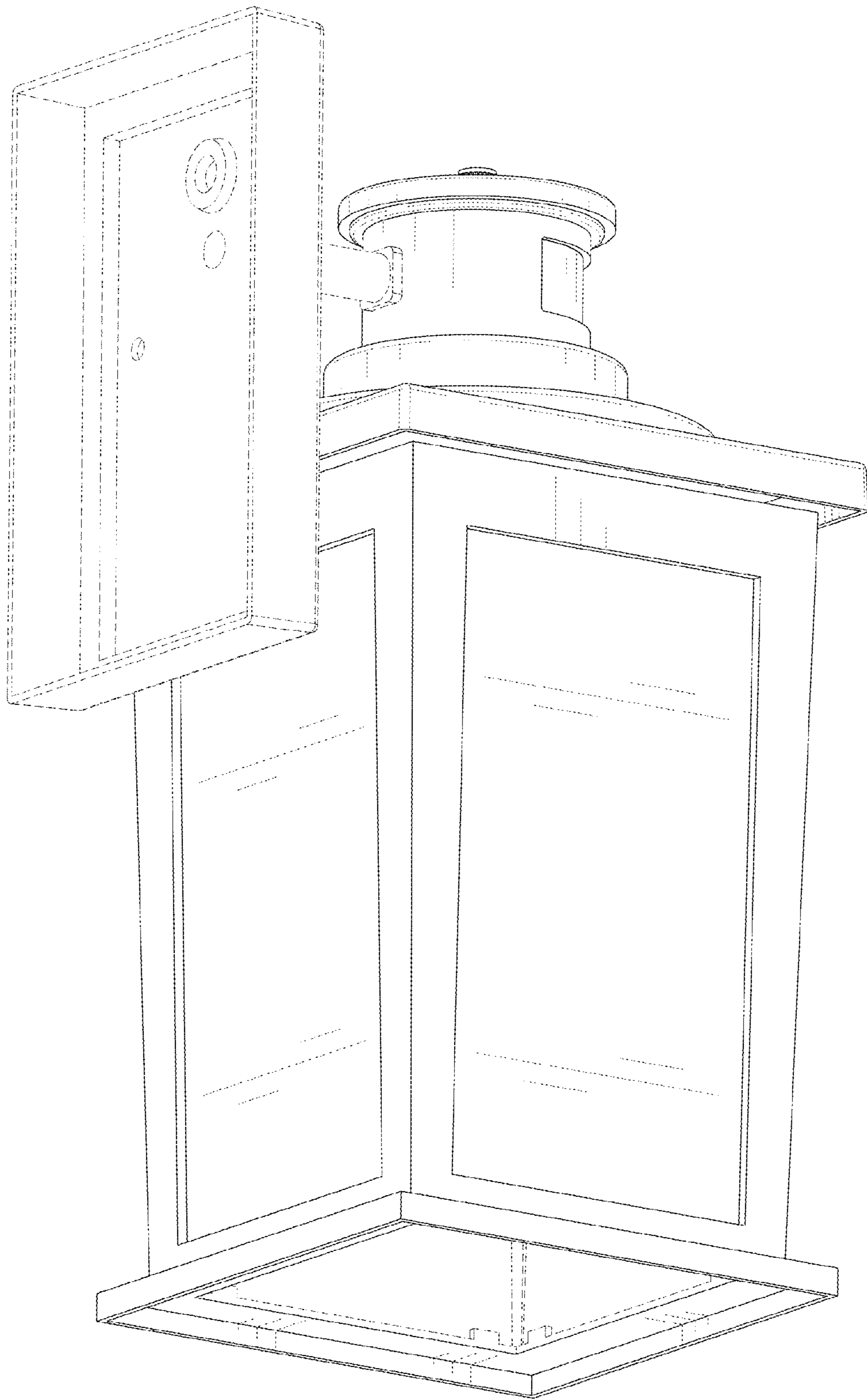


FIG. 11

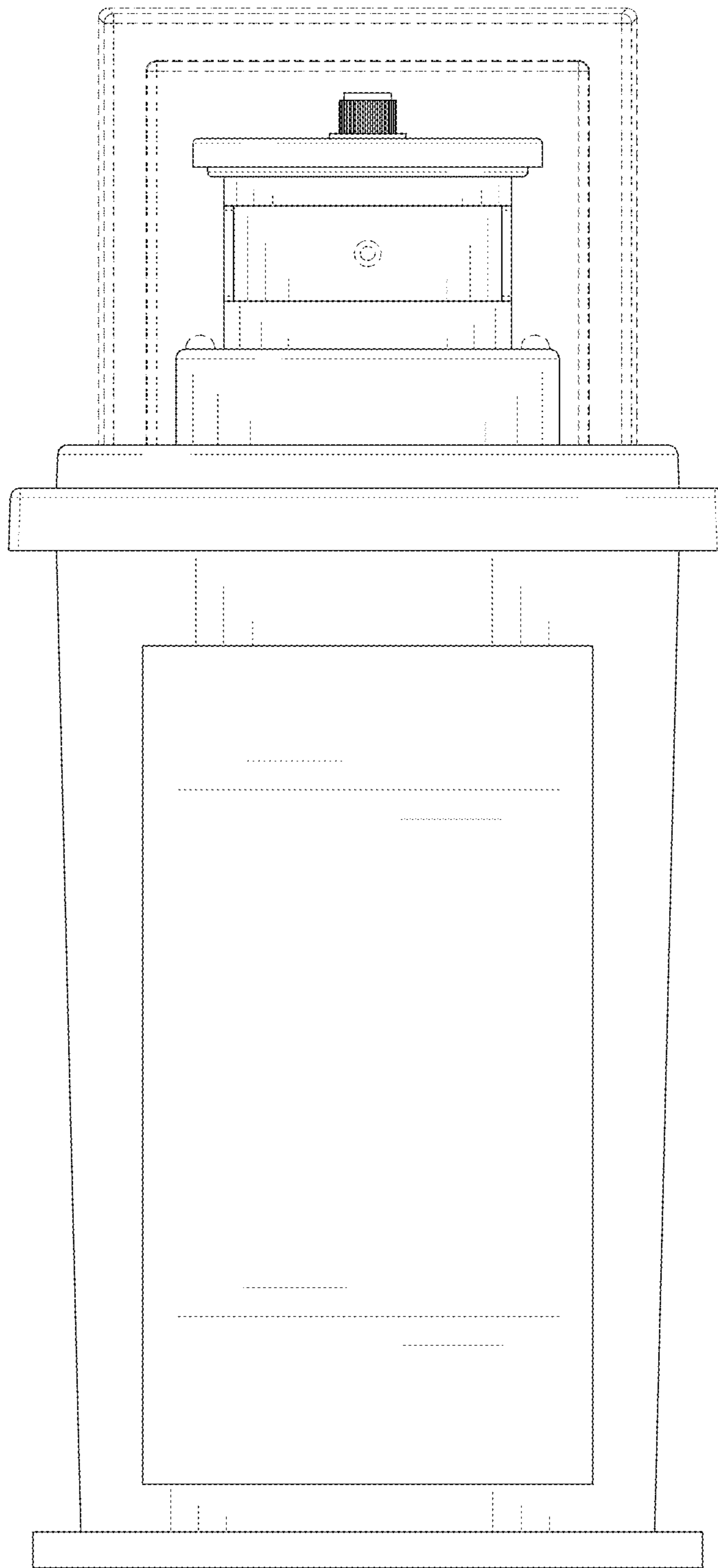


FIG. 12

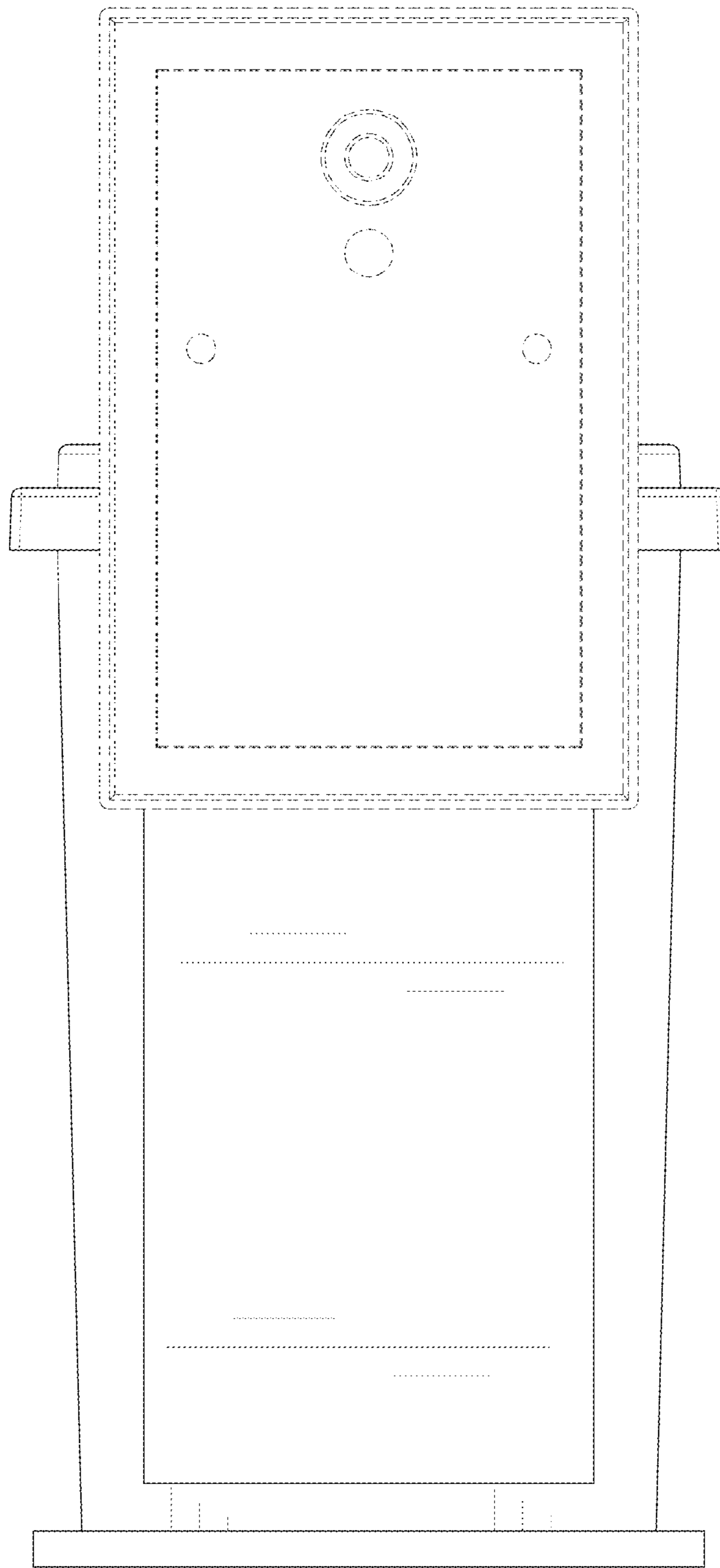


FIG. 13

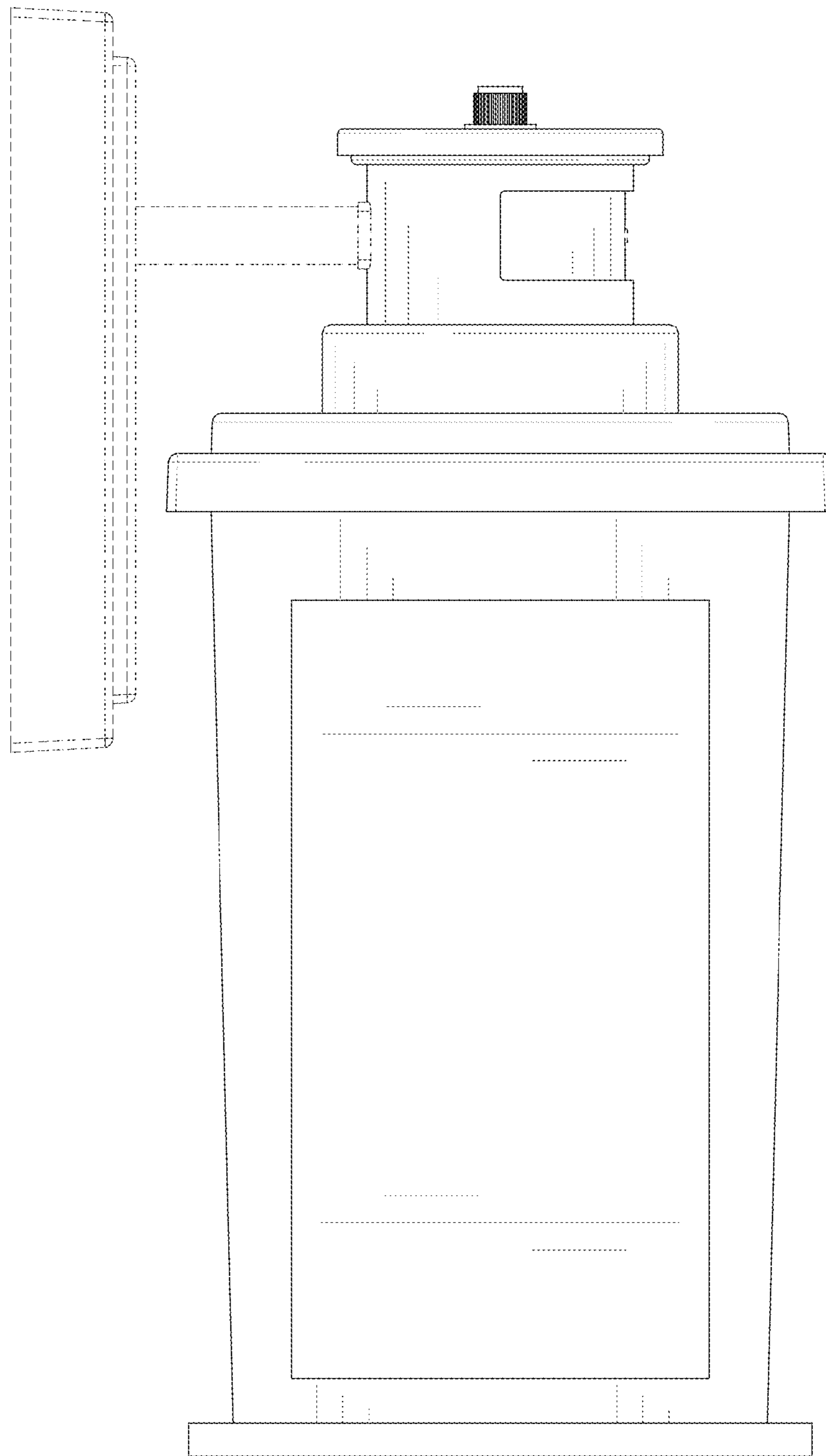


FIG. 14

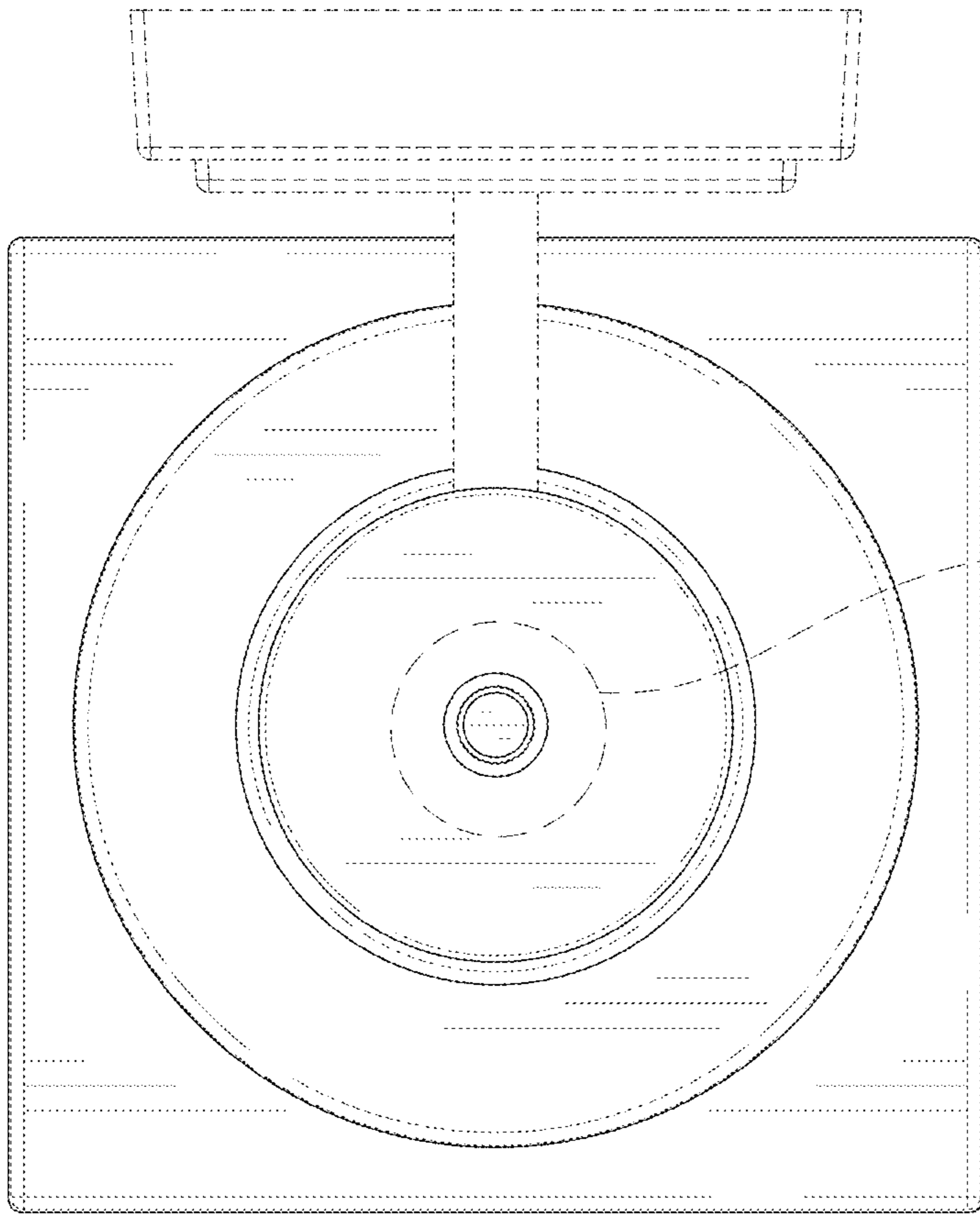


FIG. 18

FIG. 15

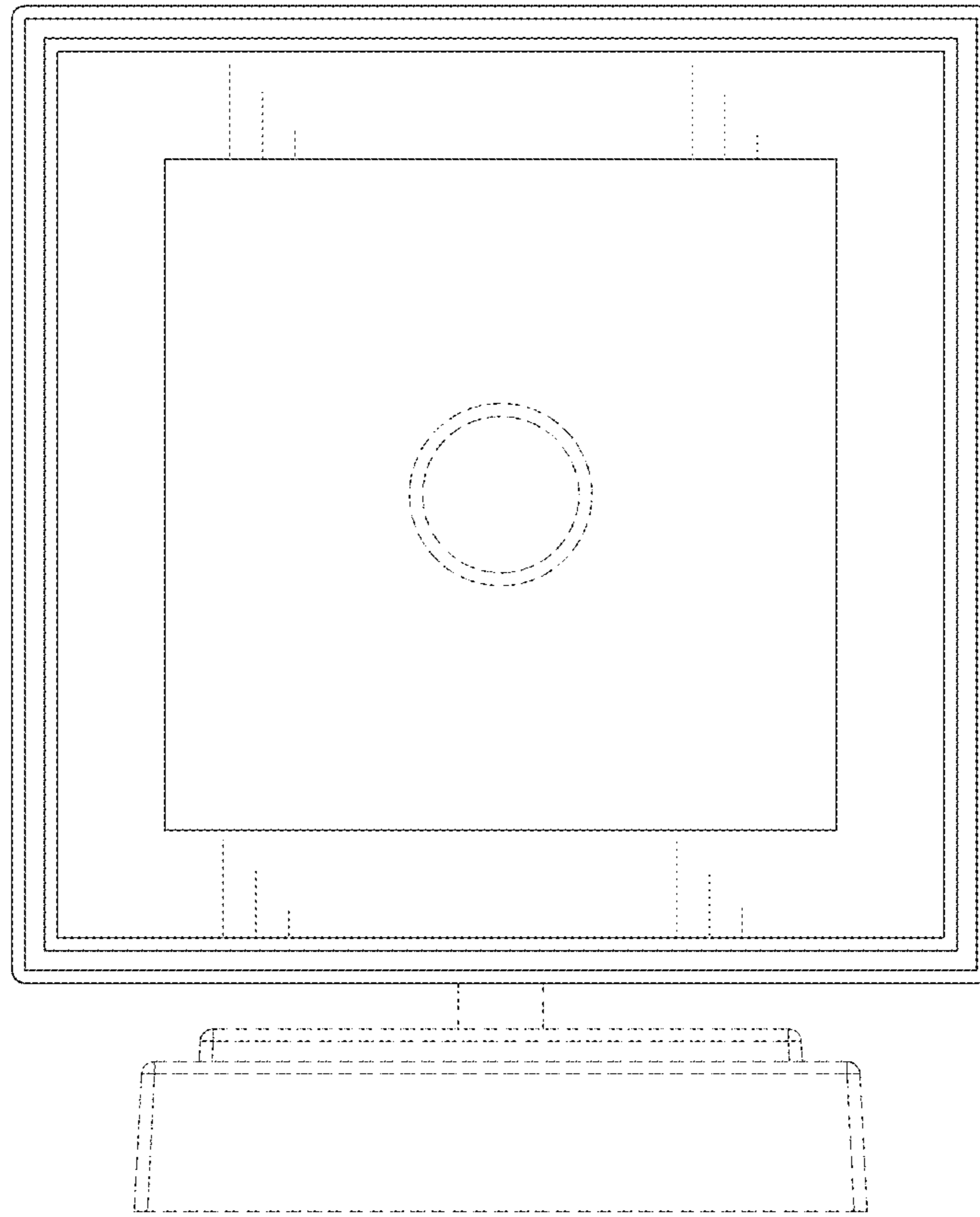


FIG. 16

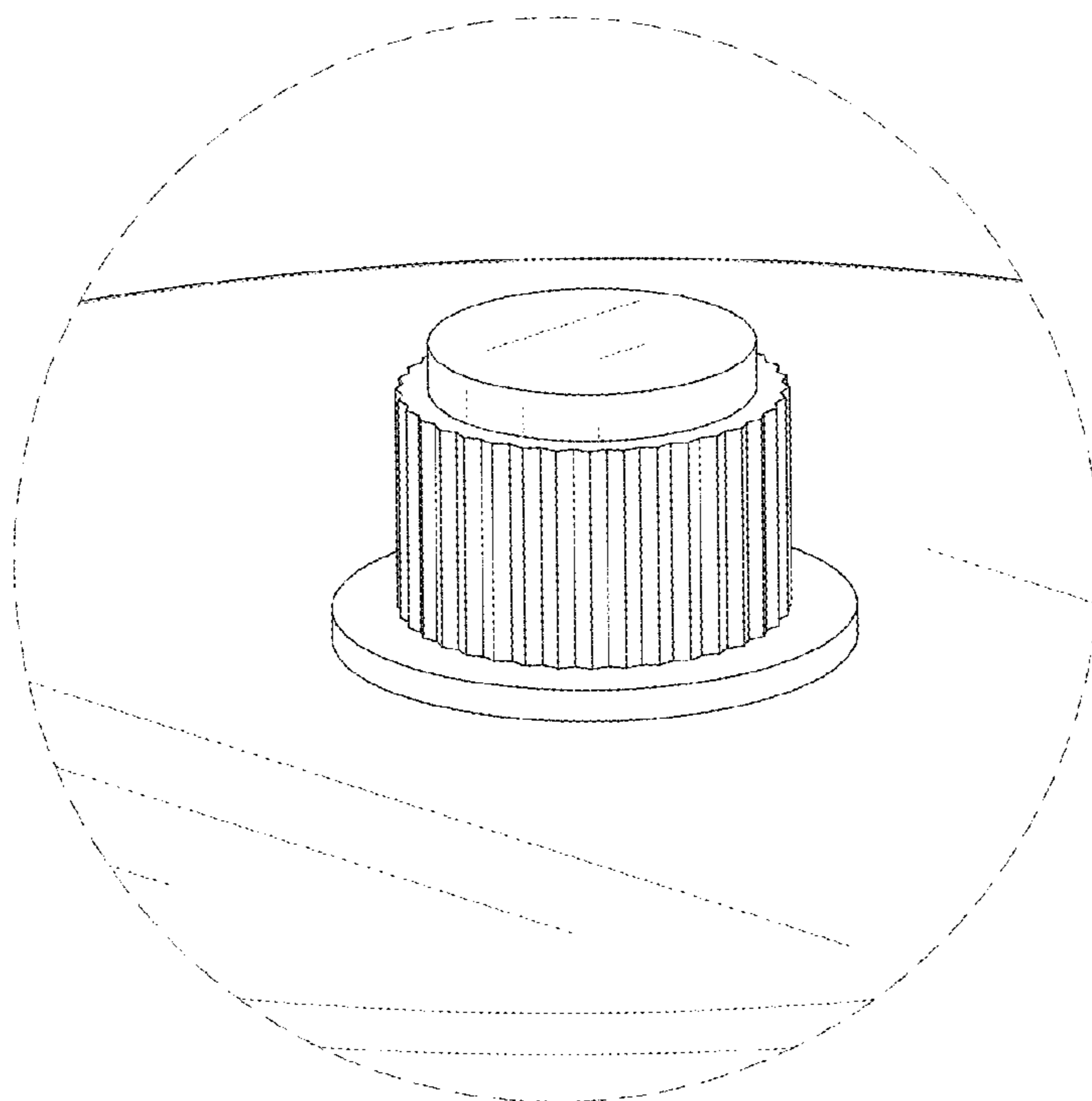


FIG. 17

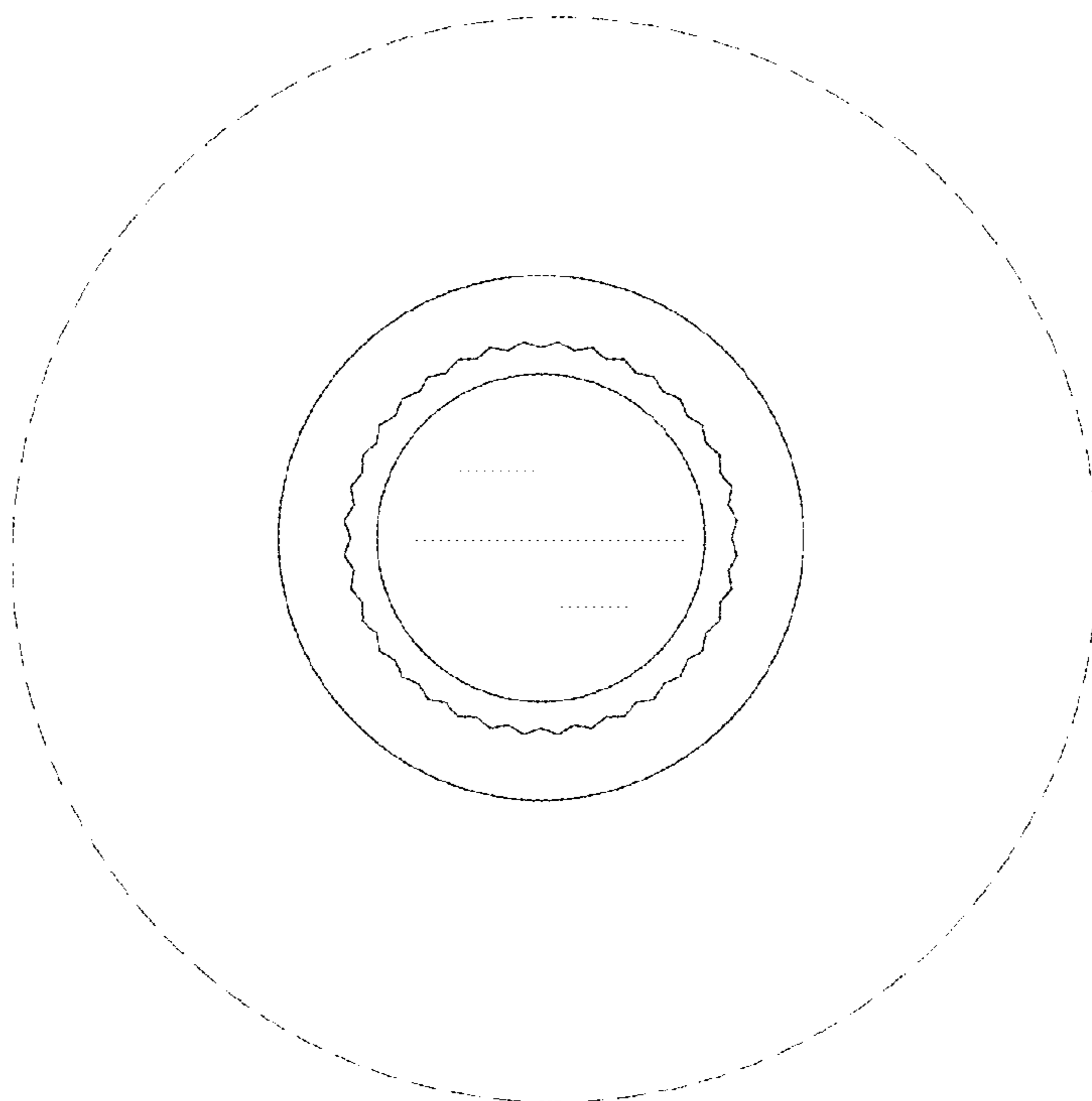


FIG. 18