



US00D966592S

(12) **United States Design Patent** (10) **Patent No.:** **US D966,592 S**
Park et al. (45) **Date of Patent:** **** *Oct. 11, 2022**

(54) **LIGHTING FIXTURE**

(71) Applicant: **SIGNIFY HOLDING B.V.**, Eindhoven (NL)

(72) Inventors: **John Sungmin Park**, Medford, MA (US); **Jonathan Stuart Levy**, Watertown, MA (US); **Kwong Hung Man**, Vancouver (CA); **Ryan Robert James Gates**, Langley (CA); **Christopher Cameron McDonald**, Burnaby (CA); **Shao Fang Shannon Chang**, North Vancouver (CA)

(73) Assignee: **SIGNIFY HOLDING B.V.**, Eindhoven (NL)

(*) Notice: This patent is subject to a terminal disclaimer.

(**) Term: **15 Years**

(21) Appl. No.: **29/721,100**

(22) Filed: **Jan. 17, 2020**

(30) **Foreign Application Priority Data**

Jul. 17, 2019 (EM) 006633632-0003

(51) **LOC (13) Cl.** **26-05**

(52) **U.S. Cl.**
USPC **D26/80**

(58) **Field of Classification Search**
USPC D26/142, 152, 113, 118, 119, 154, 61, D26/62, 65, 75, 16, 1, 2, 3, 120, 138, D26/128, 144, 121, 122, 64, 153, 155, D26/140, 76
CPC F21Y 2101/02; F21Y 2103/003; F21Y 2103/00; F21K 9/17; F21S 4/008
See application file for complete search history.

(56) **References Cited**

U.S. PATENT DOCUMENTS

D464,457 S *	10/2002	Echito	D26/76
D649,695 S *	11/2011	Beausoleil	D26/142
D701,342 S *	3/2014	Novak	D26/75
D730,568 S *	5/2015	Mahowald	D26/118
D761,478 S *	7/2016	Ng	D26/80
D773,714 S *	12/2016	Sonneman	D26/84
D775,397 S *	12/2016	Sonneman	D26/90
D800,369 S *	10/2017	Sonneman	D26/90
D809,704 S *	2/2018	Klus	D26/142
D850,707 S *	6/2019	Tremaine	D26/138
D860,510 S *	9/2019	Greenberg	D26/88
D862,778 S *	10/2019	Antony	D26/118
D869,073 S *	12/2019	Trzcielinski	D26/138
D872,931 S *	1/2020	Tremaine	D26/138
D876,702 S *	2/2020	Genovese	D26/90
D890,983 S *	7/2020	Roys	D26/142
D891,688 S *	7/2020	Tremaine	D26/138
D906,581 S *	12/2020	Trzcieli	D26/138
D916,359 S *	4/2021	Roys	D26/138
D917,760 S *	4/2021	Lissoni	D26/90

(Continued)

Primary Examiner — Richard Kearney

Assistant Examiner — Benjamin M Weeks

(74) *Attorney, Agent, or Firm* — Daniel J. Piotrowski

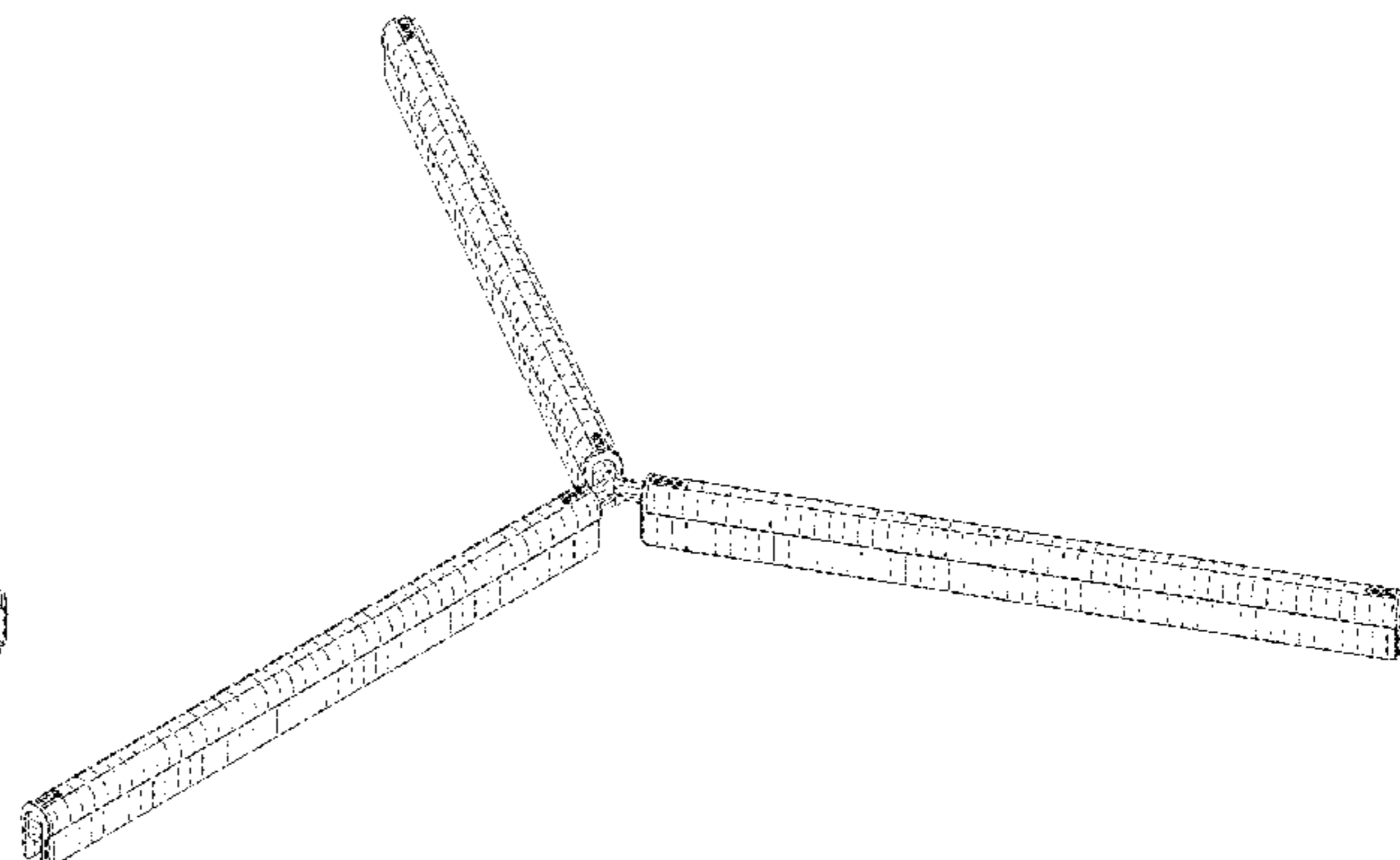
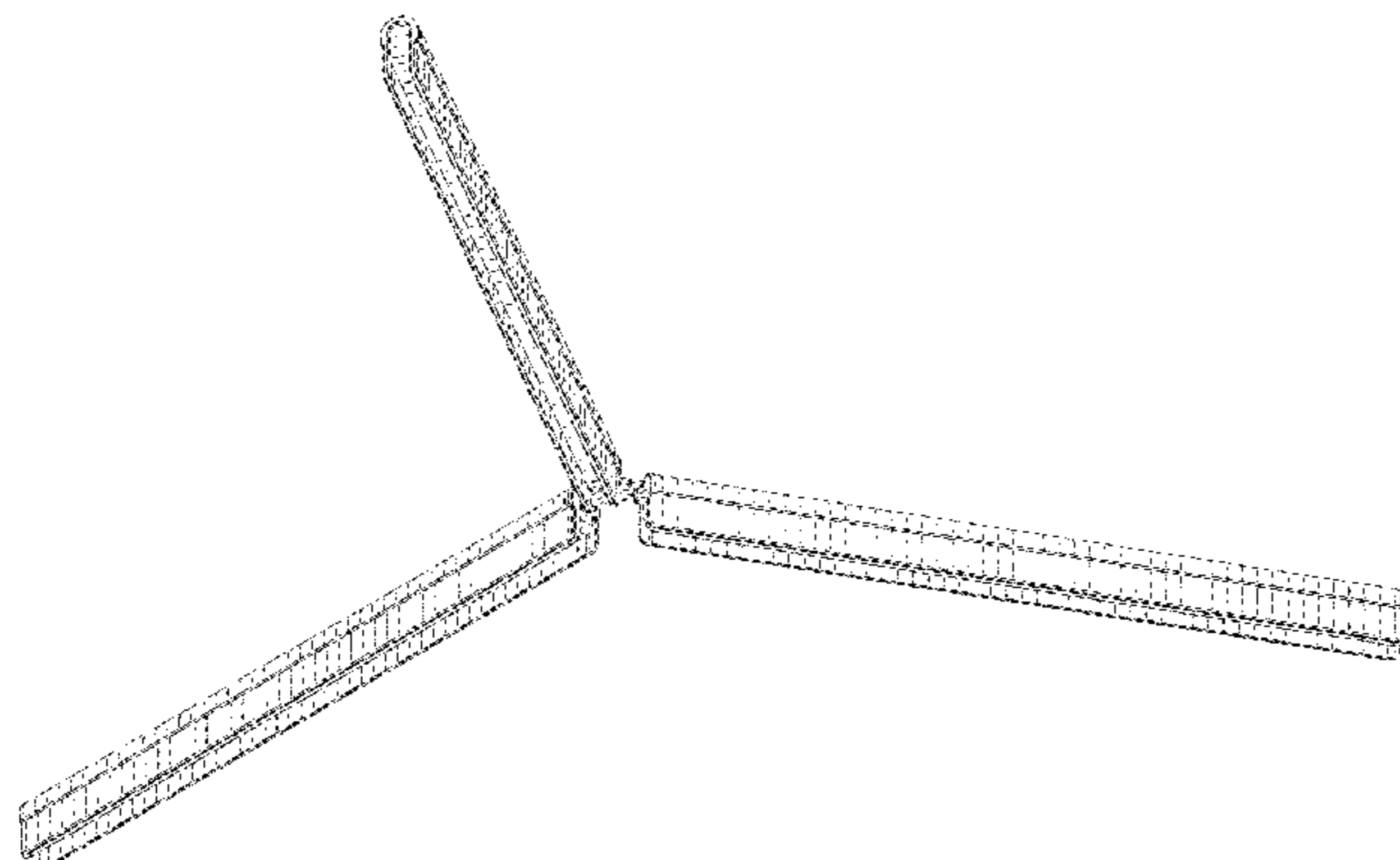
(57) **CLAIM**

The ornamental design for a “lighting fixture”, as shown and described.

DESCRIPTION

FIG. 1 is a perspective view of a lighting fixture showing my new design;
FIG. 2 is a second perspective view thereof;
FIG. 3 is a rear elevational view thereof;
FIG. 4 is a front elevational view thereof;
FIG. 5 is a left side elevational view thereof;
FIG. 6 is a bottom plan view thereof;
FIG. 7 is a top plan view thereof; and,
FIG. 8 is a right side elevational view thereof.

1 Claim, 5 Drawing Sheets



(56)

References Cited

U.S. PATENT DOCUMENTS

D921,269 S *	6/2021	Mier-Langner	D26/76
11,022,282 B2 *	6/2021	Roys	F21V 19/004
D925,107 S *	7/2021	Yuan	D26/118
D925,108 S *	7/2021	Yuan	D26/118

* cited by examiner

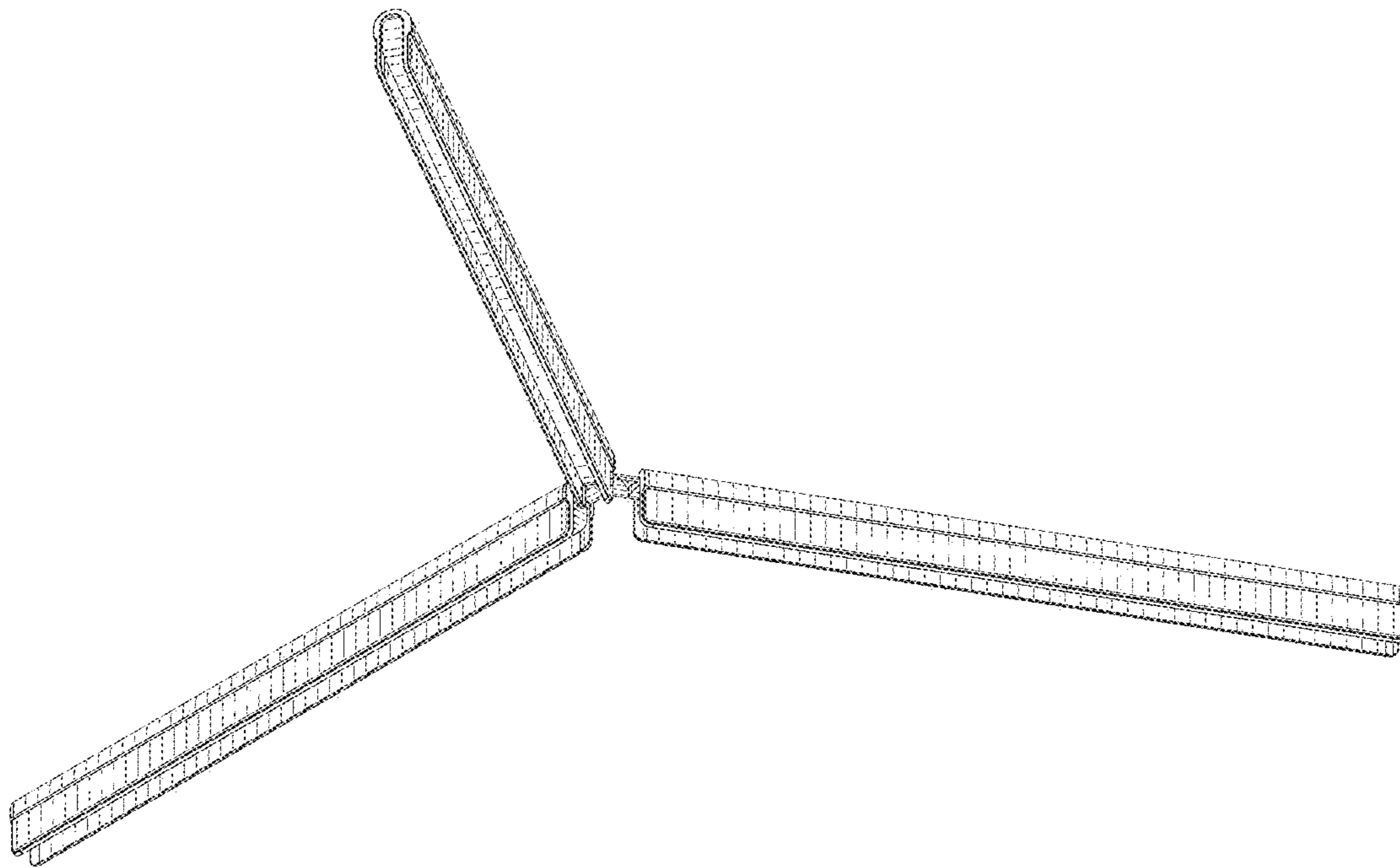


FIG. 1

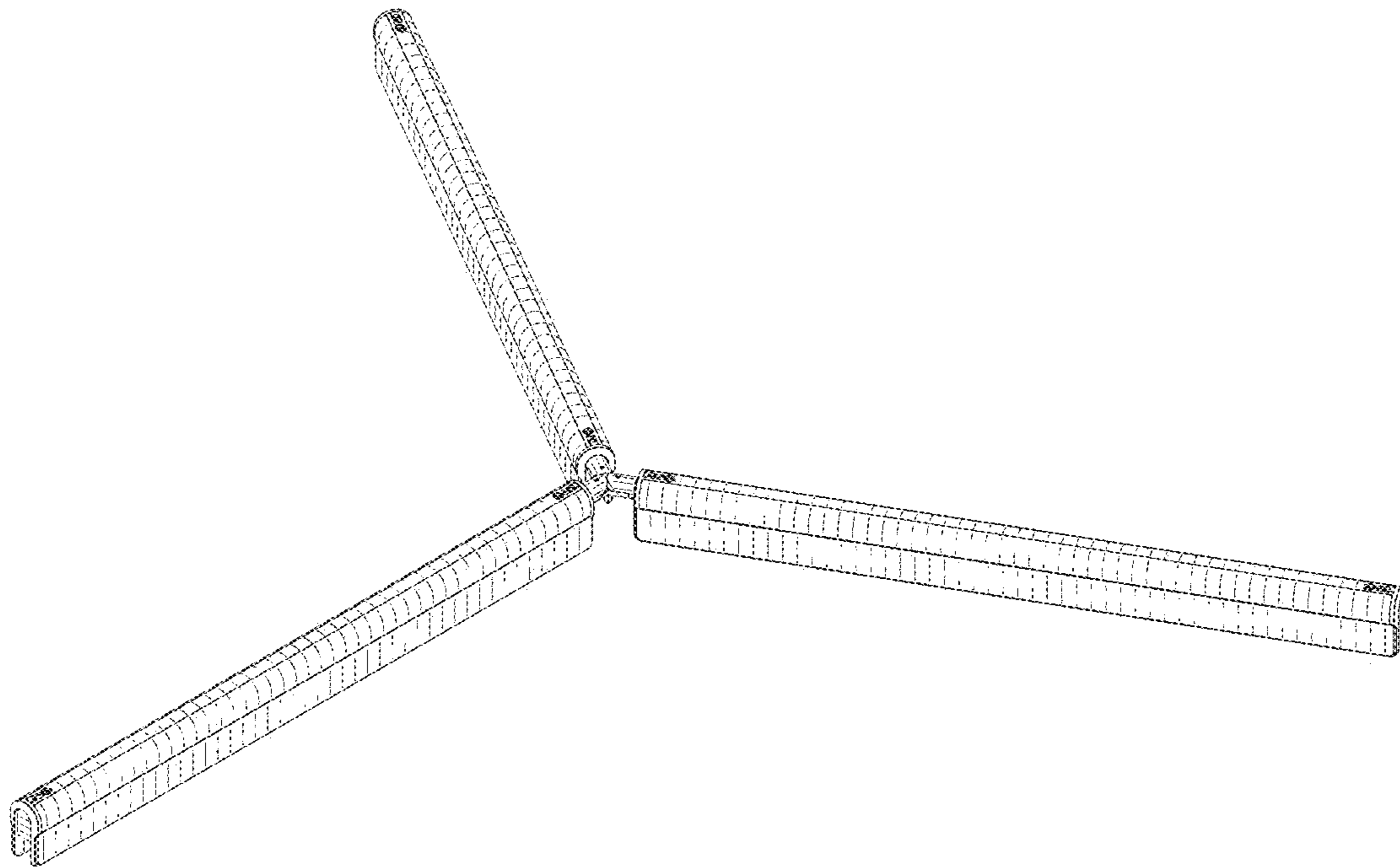


FIG. 2

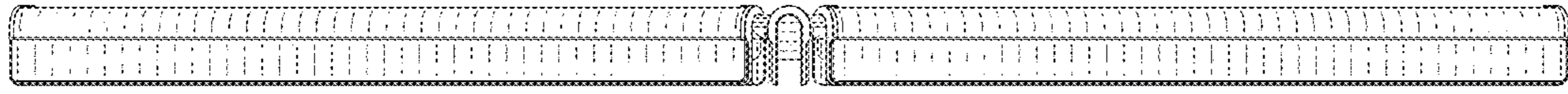


FIG. 3

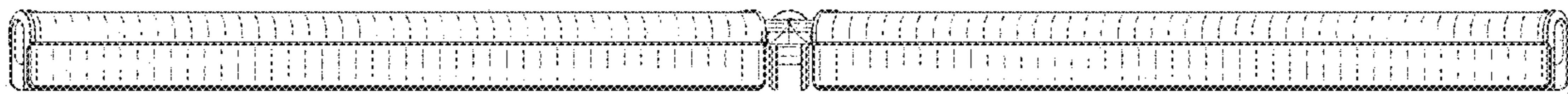


FIG. 4

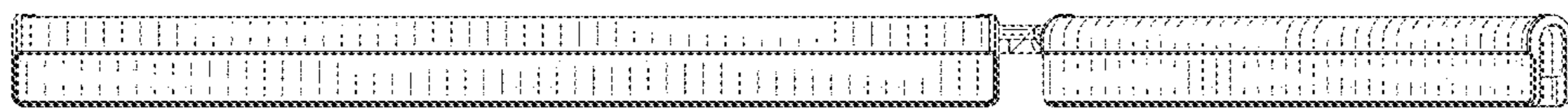


FIG. 5

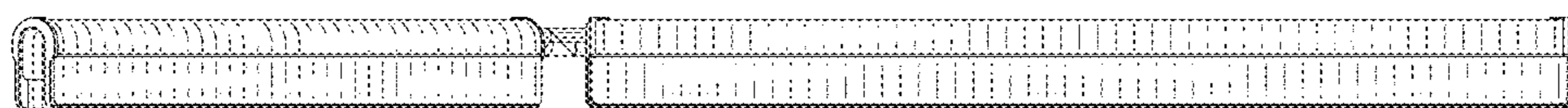


FIG. 6

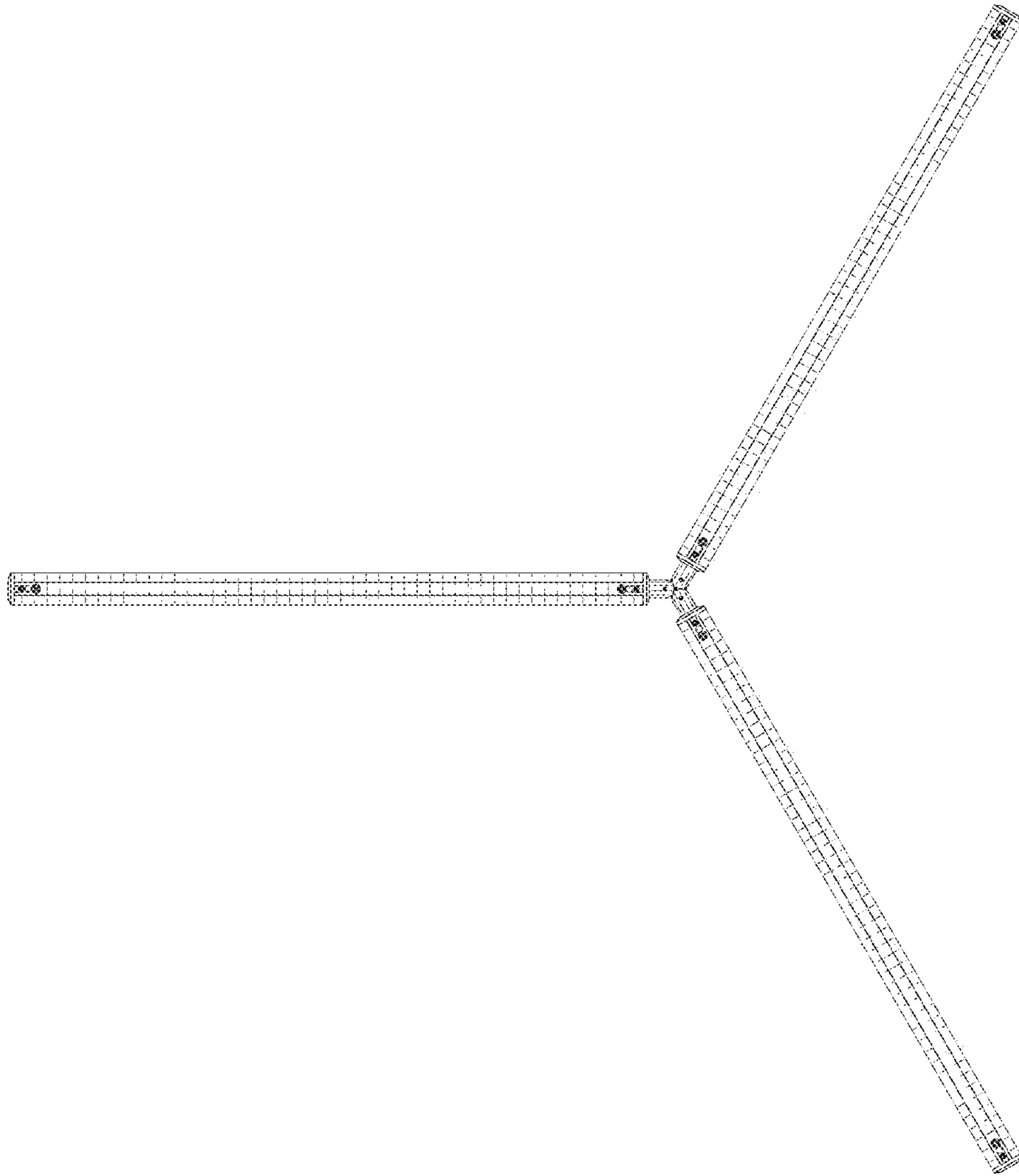


FIG. 7

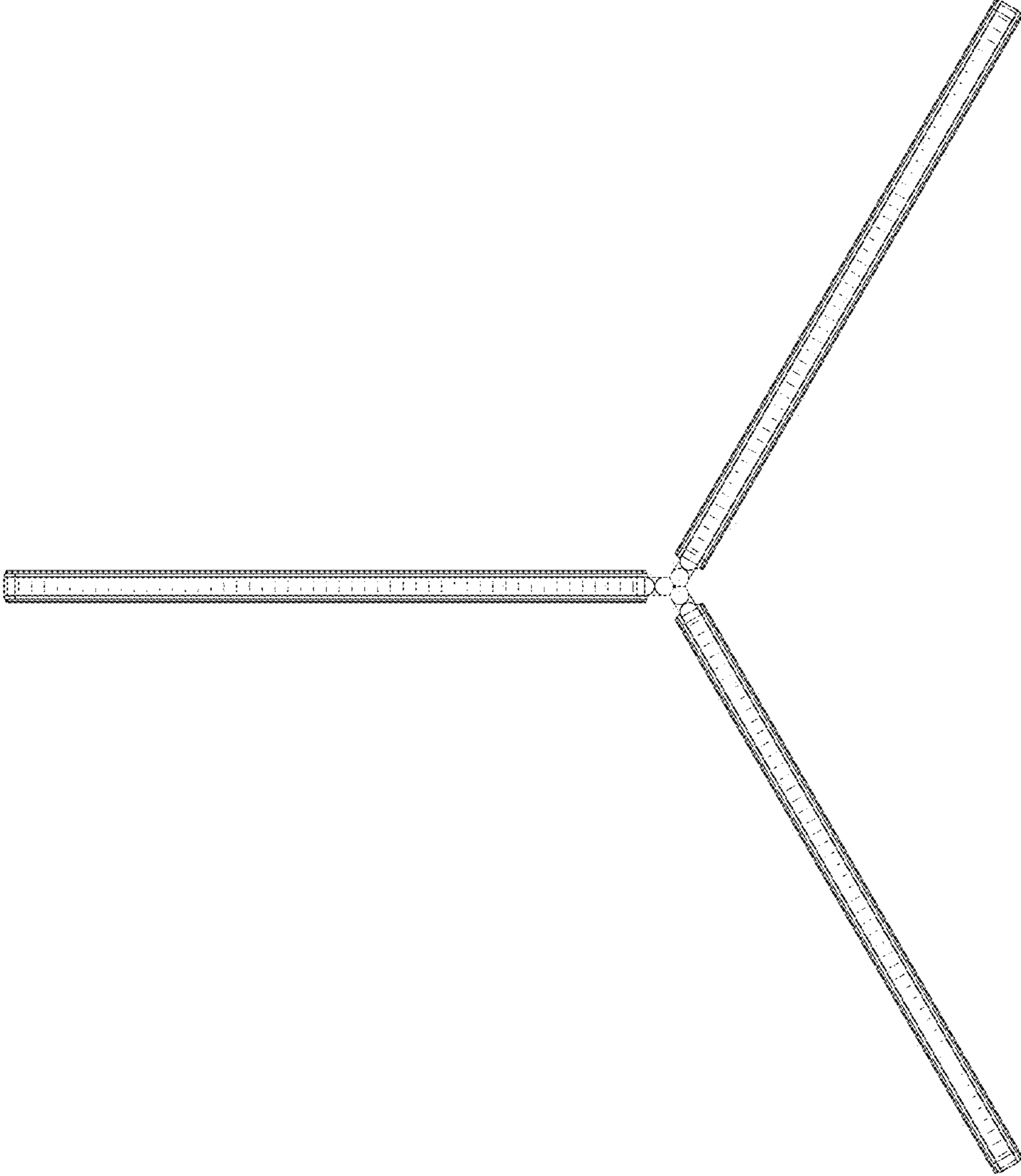


FIG. 8