



US00D966591S

(12) **United States Design Patent**  
**Kane**

(10) **Patent No.:** **US D966,591 S**

(45) **Date of Patent:** **\*\* Oct. 11, 2022**

(54) **SOLAR STREET LAMP**

(71) Applicant: **AUTONOMOUS IOT LTD**, Glasgow  
(GB)

(72) Inventor: **Robert Kane**, Airdrie (GB)

(73) Assignee: **AUTONOMOUS IOT LTD**, Glasgow  
(GB)

(\*\*) Term: **15 Years**

(21) Appl. No.: **35/510,554**

(22) Filed: **Sep. 19, 2020**

(80) **Hague Agreement Data**

Int. Filing Date: **Sep. 19, 2020**

Int. Reg. No.: **DM/210597**

Int. Reg. Date: **Sep. 19, 2020**

Int. Reg. Pub. Date: **Oct. 16, 2020**

(30) **Foreign Application Priority Data**

Mar. 21, 2020 (GB) ..... 6085818

(51) **LOC (13) Cl.** ..... **26-03**

(52) **U.S. Cl.**

USPC ..... **D26/70**

CPC ..... **F21S 8/08** (2013.01)

(58) **Field of Classification Search**

USPC .... D26/63, 67-70, 73, 85, 87, 92, 113, 118,  
D26/119

CPC .... F21S 8/08; F21S 8/081; F21S 8/083; F21S  
8/088; F21S 9/03; F21S 9/032; F21S  
9/035; F21S 9/037; F21W 2131/109;  
F21W 2111/023; F21V 21/0824

See application file for complete search history.

(56) **References Cited**

**U.S. PATENT DOCUMENTS**

D316,458 S \* 4/1991 Spotts ..... D26/67

D400,278 S \* 10/1998 Binsukor ..... D26/119

D405,206 S \* 2/1999 Taylor ..... D26/67  
D452,023 S \* 12/2001 Poon ..... D26/48  
D454,406 S \* 3/2002 Chang ..... D26/67  
D574,104 S \* 7/2008 Sanoner ..... D26/67  
D590,086 S \* 4/2009 Laporta ..... D26/67  
D616,129 S \* 5/2010 Sanoner ..... D26/67  
D628,332 S \* 11/2010 Yang ..... D26/68  
D698,061 S \* 1/2014 Burke ..... D26/67  
D698,062 S \* 1/2014 Burke ..... D26/67  
D698,963 S \* 2/2014 Laporta ..... D26/67  
D700,386 S \* 2/2014 Burke ..... D26/67  
8,672,505 B1 \* 3/2014 Hogan ..... F21S 9/037  
362/183  
D716,988 S \* 11/2014 Sooferian ..... D26/68  
8,939,601 B1 \* 1/2015 Lee ..... F21V 17/02  
362/198  
D741,530 S \* 10/2015 Snyder ..... D26/41  
D814,092 S \* 3/2018 Chen ..... D26/67  
D815,770 S \* 4/2018 Galipeau ..... D26/68

(Continued)

*Primary Examiner* — Richard E Chilcot

(74) *Attorney, Agent, or Firm* — Brooks Kushman P.C.

(57) **CLAIM**

The ornamental design for a solar street lamp, as shown and described.

**DESCRIPTION**

1. Solar street lamp

1.1 : Perspective

1.2 : Perspective

1.3 : Front

1.4 : Left

1.5: Back

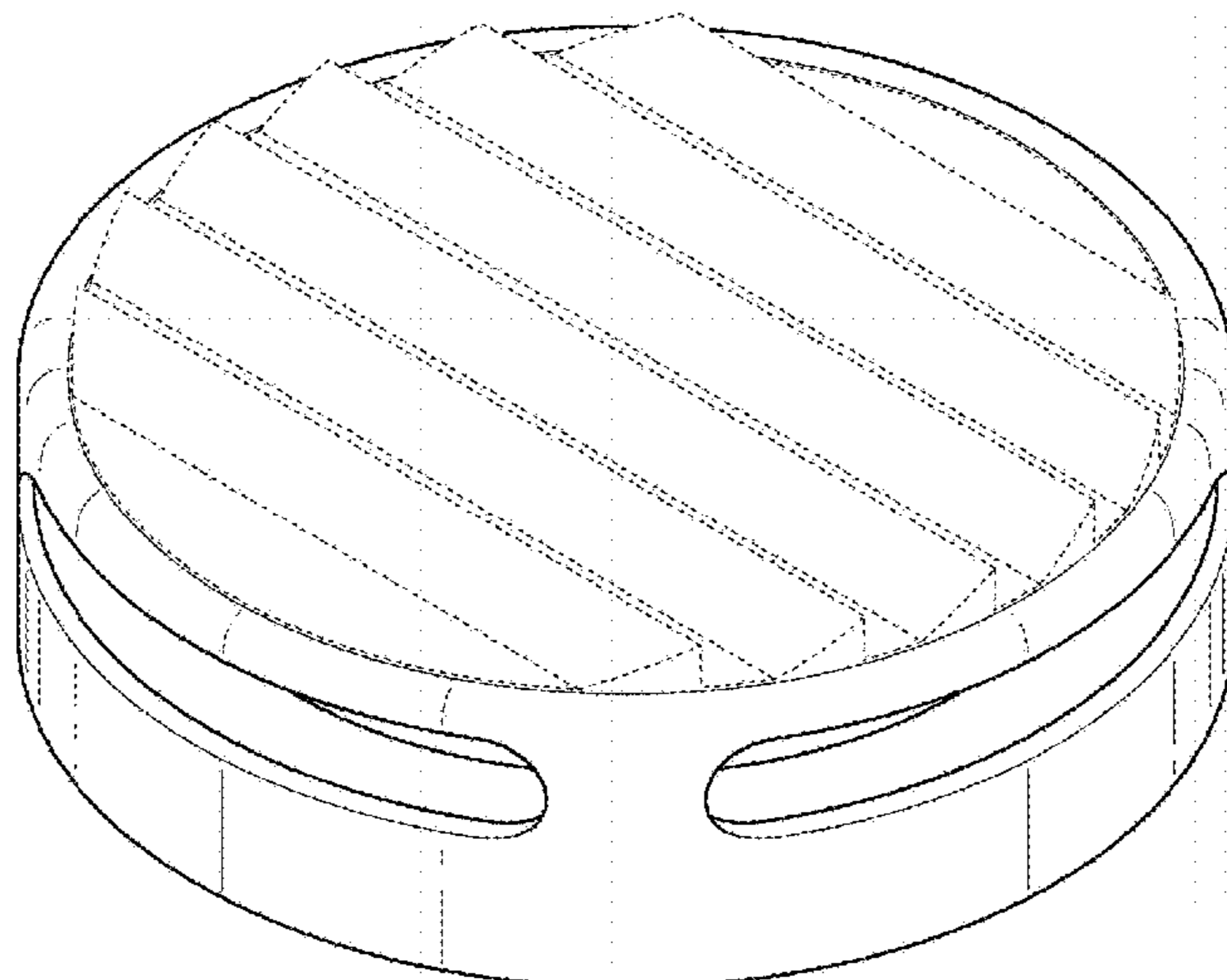
1.6: Right

1.7:Top

1.8: Bottom

Pole-mountable street lamp. no claim is made for the wedge-shaped structures on top that are illustrated with dashed lines; the parallel thin lines and the radial thin lines in the representation represent contours only and do not illustrate an ornamentation or decoration of the surface of the product.

**1 Claim, 8 Drawing Sheets**



(56)

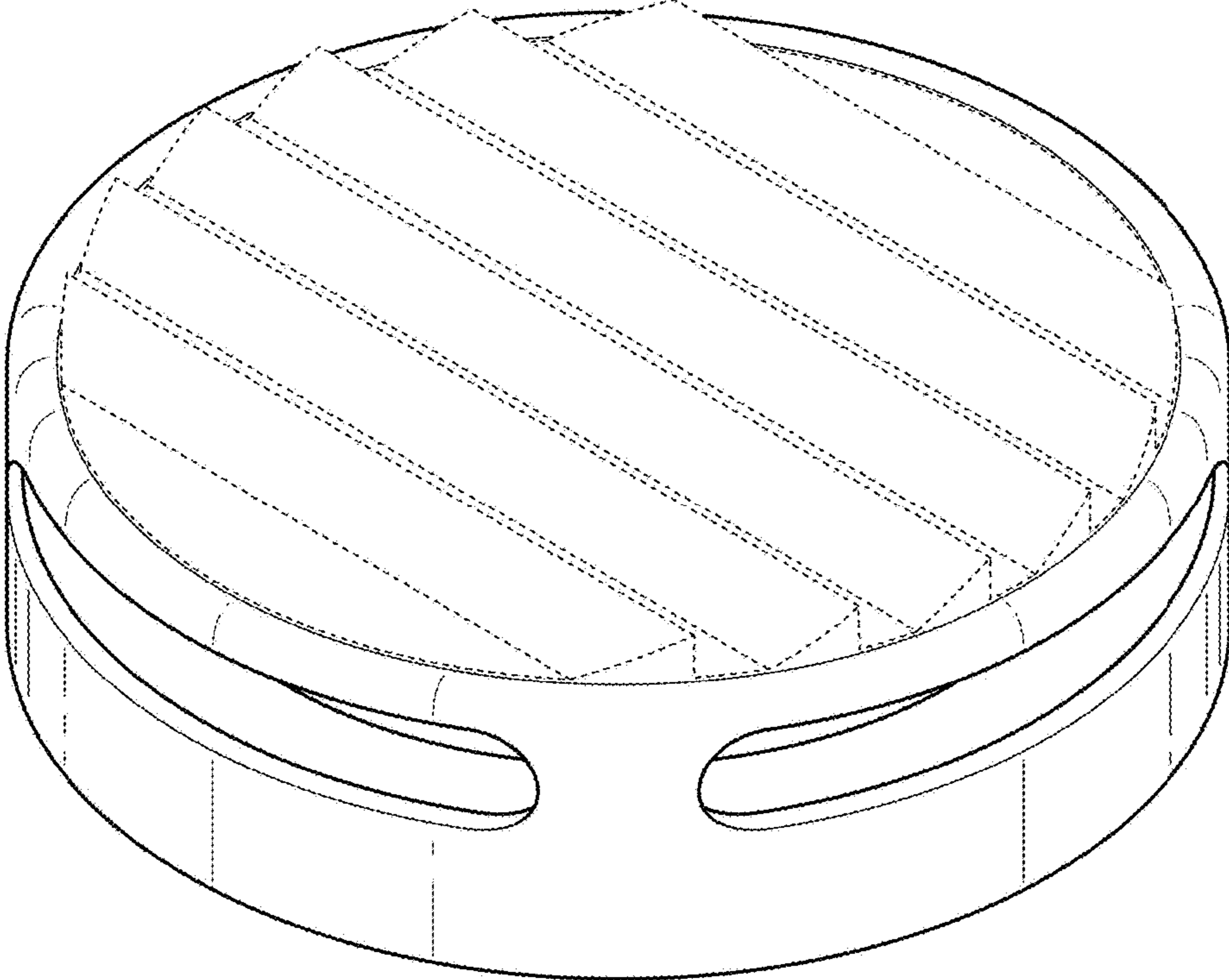
**References Cited**

## U.S. PATENT DOCUMENTS

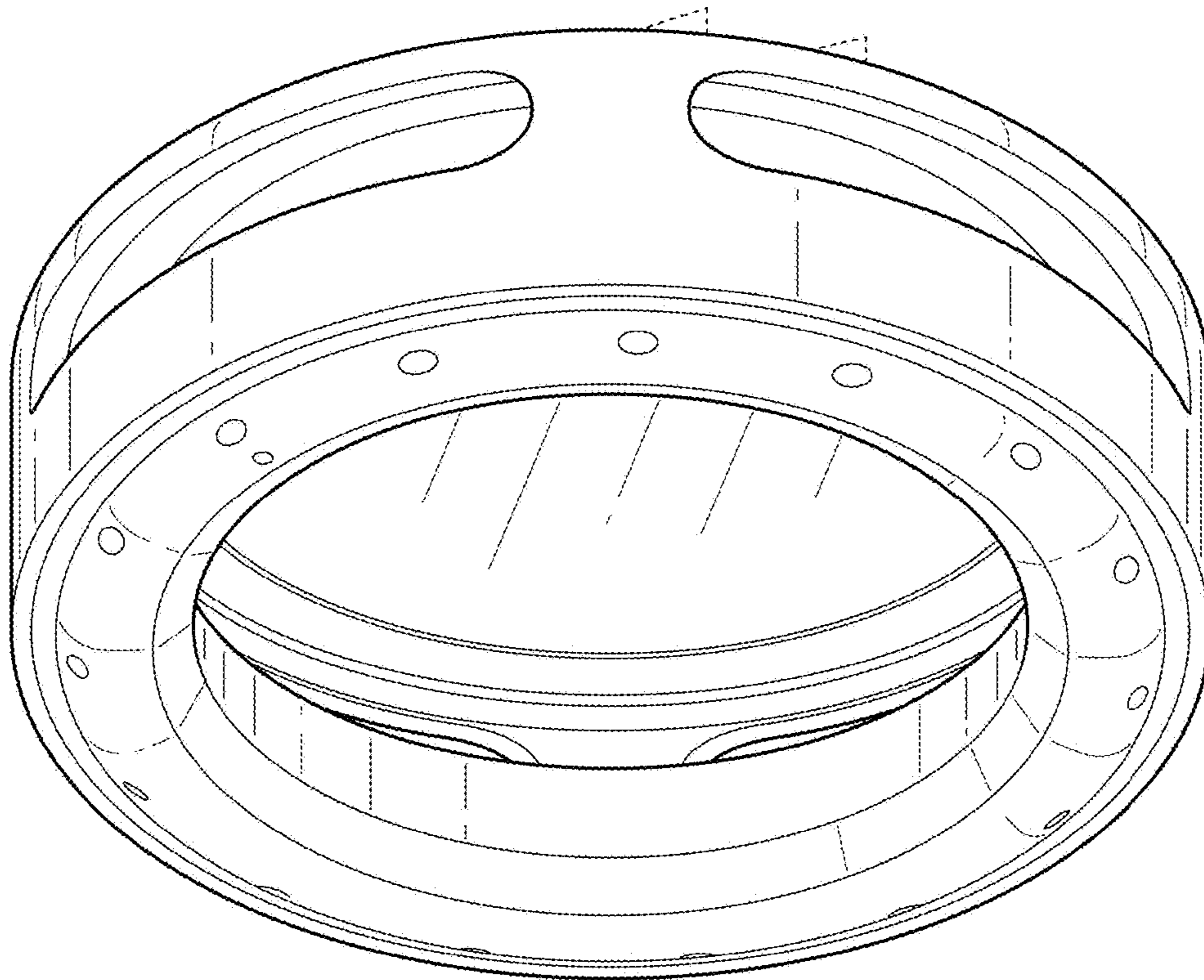
D821,015	S	*	6/2018	Peng	.....	D26/68
D834,233	S	*	11/2018	Mishan	.....	D26/73
D838,891	S	*	1/2019	Mishan	.....	D26/73
D840,581	S	*	2/2019	Chelf	.....	D26/99
D842,522	S	*	3/2019	Mishan	.....	D25/113
D842,523	S	*	3/2019	Mishan	.....	D25/113
D850,682	S	*	6/2019	DeBrunner	.....	D26/40
D864,452	S	*	10/2019	Wei	.....	D26/67
D866,839	S	*	11/2019	Yan	.....	D26/67
D881,431	S	*	4/2020	Burczyk	.....	D26/37
D881,436	S	*	4/2020	Yan	.....	D26/67
D882,143	S	*	4/2020	Sooferian	.....	D26/67
D882,144	S	*	4/2020	Zhu	.....	D26/67
D887,034	S	*	6/2020	Chelf	.....	D26/2
D892,381	S	*	8/2020	Lin	.....	D26/67
D913,570	S	*	3/2021	Chelf	.....	D26/99
D925,089	S	*	7/2021	Ahrari	.....	D26/67
D930,216	S	*	9/2021	He	.....	D26/67
D939,124	S	*	12/2021	Hollinger	.....	D26/67
2006/0187656	A1	*	8/2006	Kuelbs	.....	F21S 9/035 362/183
2007/0121317	A1	*	5/2007	Huang	.....	F21S 9/037 362/183
2012/0069581	A1	*	3/2012	Chen	.....	F21V 3/04 156/299

\* cited by examiner

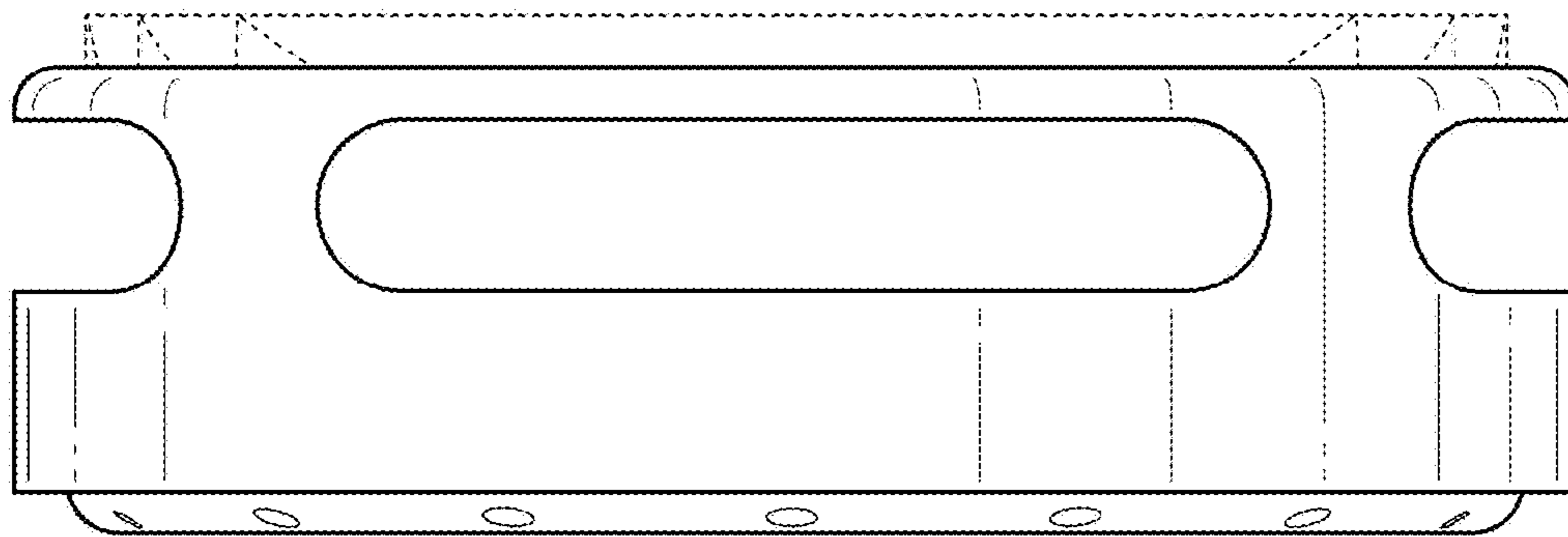
1.1



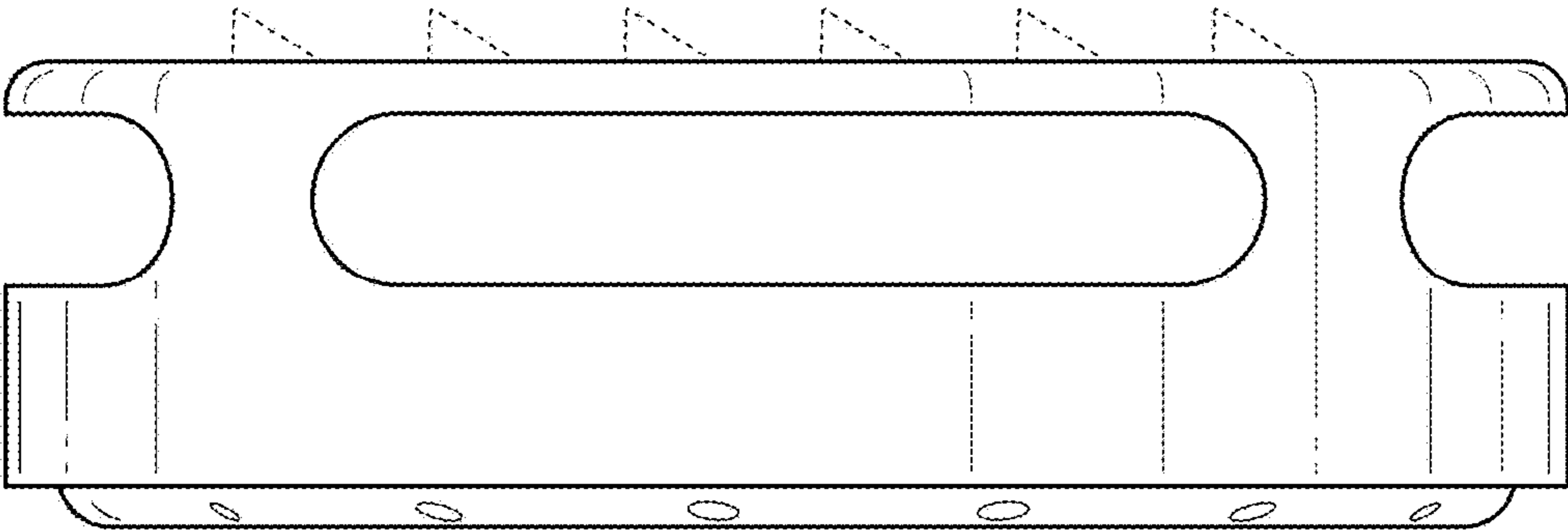
1.2



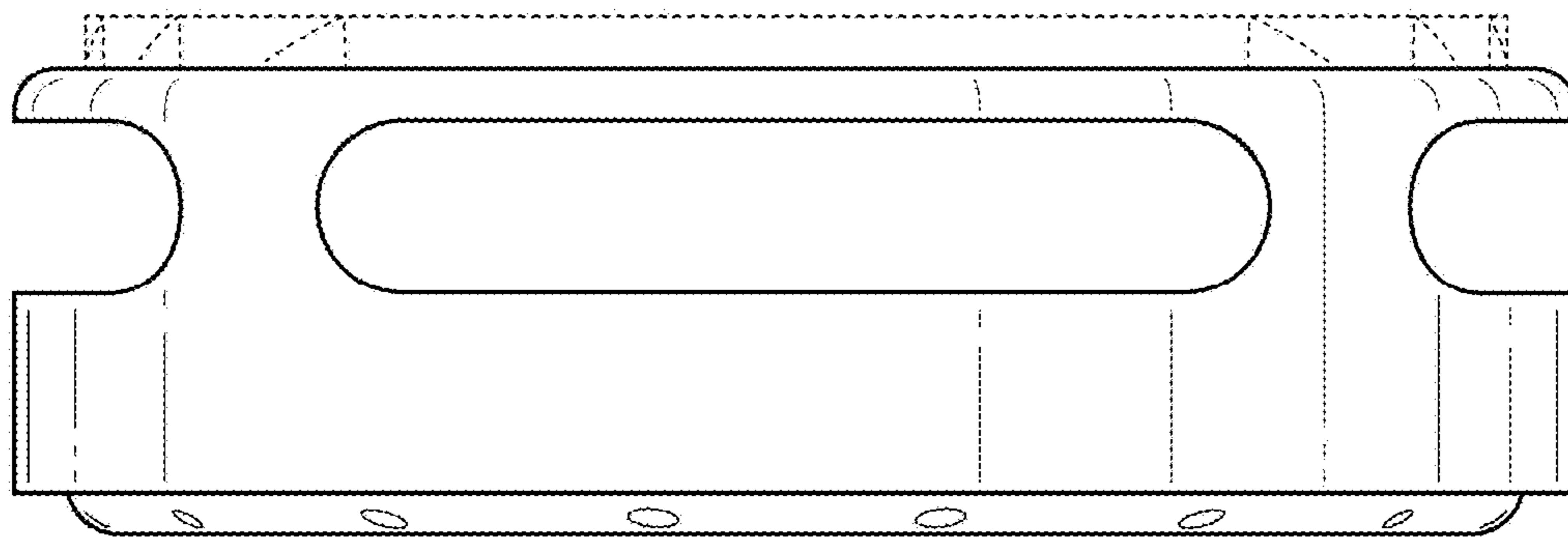
1.3



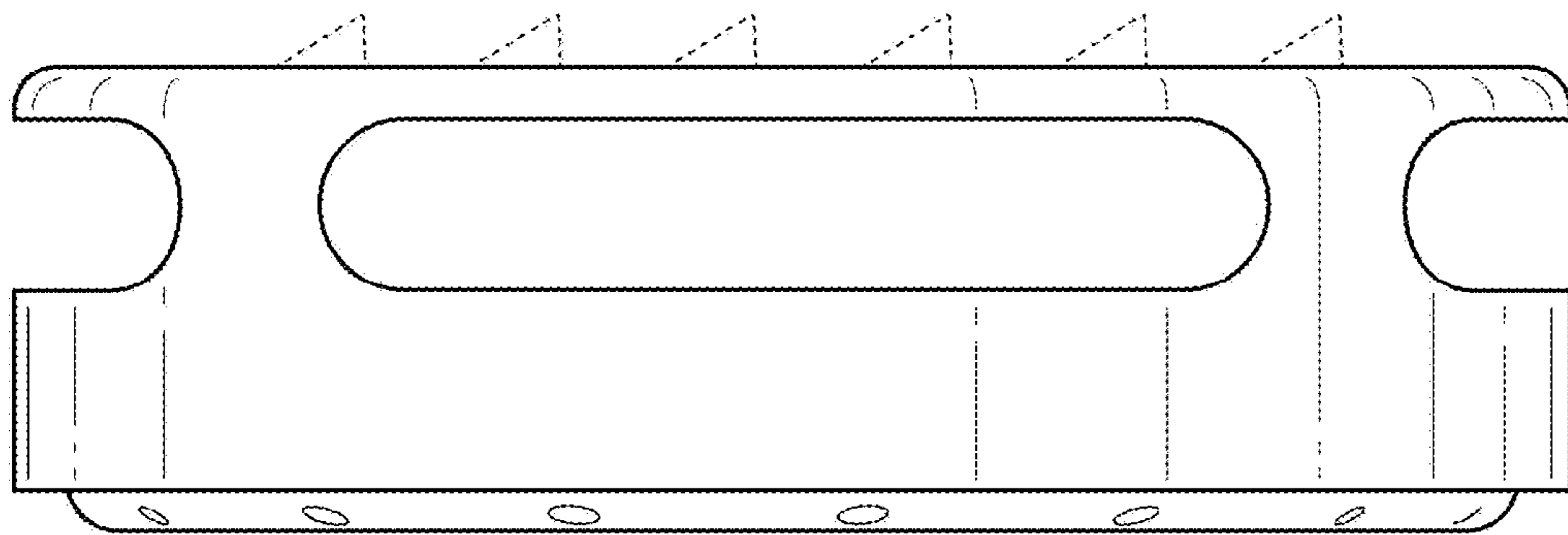
1.4



1.5

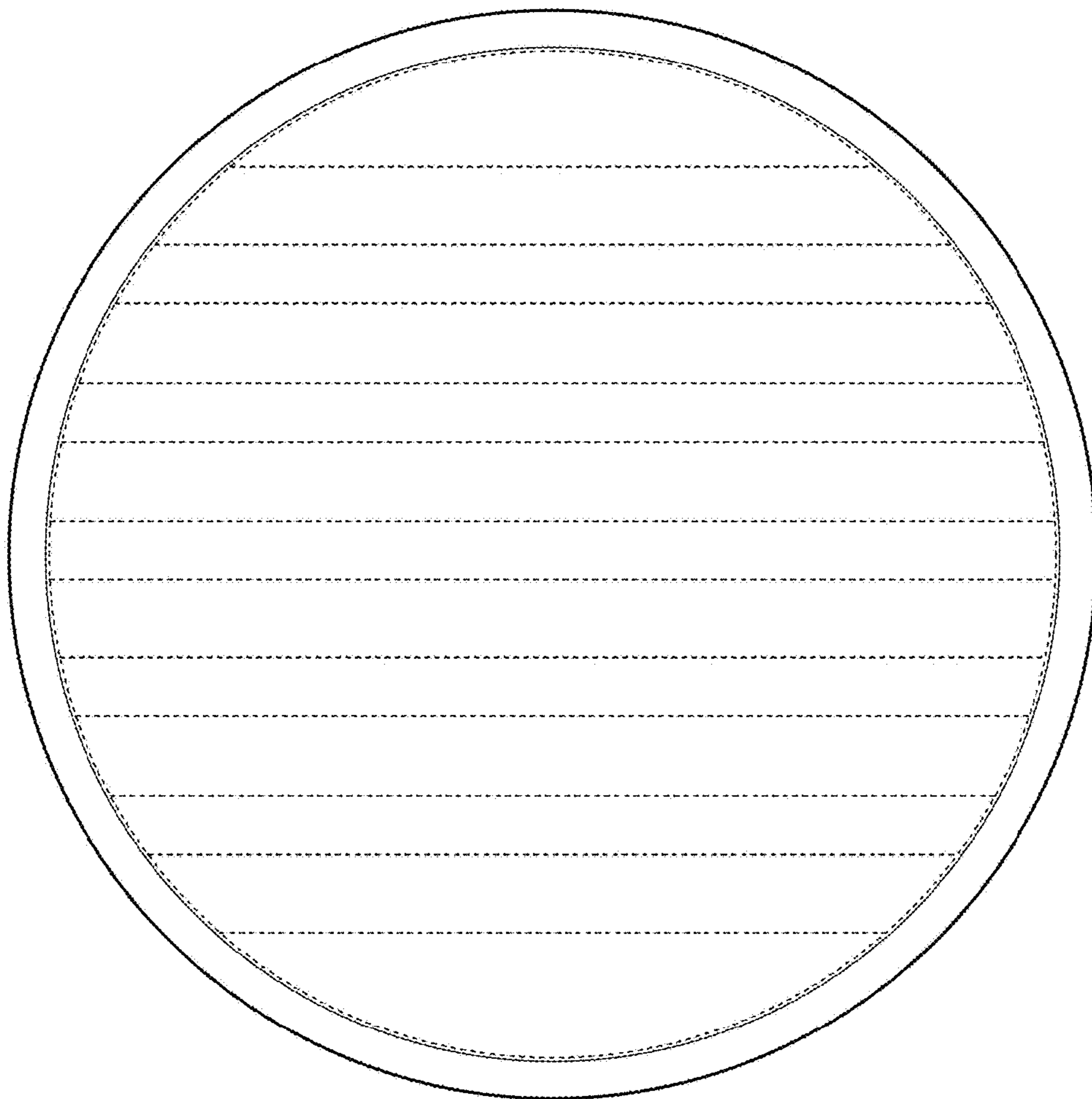


1.6





1.7



1.8

