



US00D966590S

(12) **United States Design Patent** (10) **Patent No.:** **US D966,590 S**
Huang (45) **Date of Patent:** **** Oct. 11, 2022**

(54) **SOLAR LANDSCAPE SPOTLIGHT**

(71) Applicant: **DONGGUAN JOYLIGHT TECHNOLOGY CO., LTD,**
Dongguang (CN)

(72) Inventor: **Kai Huang,** Dongguang (CN)

(**) Term: **15 Years**

(21) Appl. No.: **29/823,262**

(22) Filed: **Jan. 14, 2022**

(51) **LOC (13) Cl.** **26-05**

(52) **U.S. Cl.**
USPC **D26/63**

(58) **Field of Classification Search**
USPC D26/63, 113, 67, 44, 61
CPC F21V 21/0824
See application file for complete search history.

(56) **References Cited**

U.S. PATENT DOCUMENTS

D355,042 S *	1/1995	Panagiotou	D26/63
D550,877 S	9/2007	Mullen		
D686,768 S	7/2013	Burns		
D762,903 S	8/2016	Tsai		
D764,694 S	8/2016	Tsai		
D838,026 S *	1/2019	Jiang	D26/67
D839,472 S	1/2019	Hu		
D846,791 S	4/2019	Liang		
D848,046 S	5/2019	Zhuo		
D851,798 S	6/2019	Liu		
D851,799 S	6/2019	Liu		
D852,398 S	6/2019	Liu		
D859,718 S	9/2019	Groat		

(Continued)

OTHER PUBLICATIONS

Consciot Color Changing Lights posted to amazon.com. Available date: Oct. 23, 2020 [site visited Jun. 22, 2022] Available: <https://www.amazon.com/Consciot-OC-GL-034B-Spotlights-Waterproof-Multi-Color/dp/B08JGRMR5W/ref=psdc_468240_t1_B097DWZJ66?th=1> (Year: 2020).*

(Continued)

Primary Examiner — Kevin K Rudzinski

(74) *Attorney, Agent, or Firm* — Theodore S. Lee, Esq.

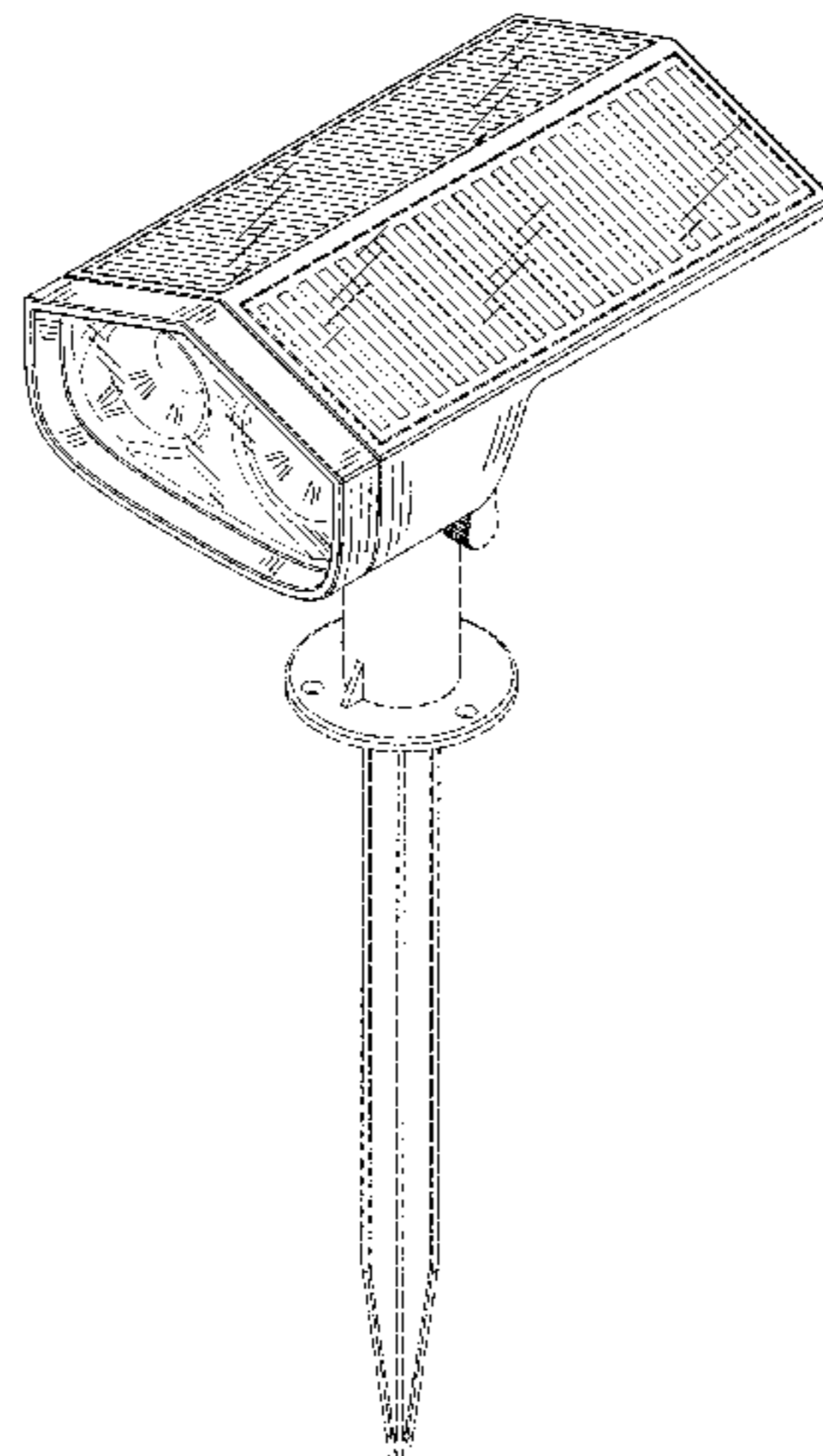
(57) **CLAIM**

The ornamental design for a solar landscape spotlight, as shown and described.

DESCRIPTION

FIG. 1 is a front elevational view of a solar landscape spotlight showing a first embodiment of my new design; FIG. 2 is a rear elevational view of the solar landscape spotlight of FIG. 1; FIG. 3 is a left side elevational view of the solar landscape spotlight of FIG. 1; FIG. 4 is a right side elevational view of the solar landscape spotlight of FIG. 1; FIG. 5 is a top plan view of the solar landscape spotlight of FIG. 1; FIG. 6 is a bottom plan view of the solar landscape spotlight of FIG. 1; and, FIG. 7 is a perspective view of the solar landscape spotlight of FIG. 1; FIG. 8 is a front elevational view of a solar landscape spotlight showing a second embodiment of my new design; FIG. 9 is a rear elevational view of the solar landscape spotlight of FIG. 8; FIG. 10 is a left side elevational view of the solar landscape spotlight of FIG. 8; FIG. 11 is a right side elevational view of the solar landscape spotlight of FIG. 8; FIG. 12 is a top plan view of the solar landscape spotlight of FIG. 8; FIG. 13 is a bottom plan view of the solar landscape spotlight of FIG. 8; and, FIG. 14 is a perspective view of the solar landscape spotlight of FIG. 8. The broken lines illustrate portions of the spotlight that form no part of the claimed design.

1 Claim, 14 Drawing Sheets



(56)

References Cited

U.S. PATENT DOCUMENTS

D875,289 S	2/2020	Hu	
D881,433 S	4/2020	Chen	
D885,632 S *	5/2020	Chen	D26/67
D887,058 S	6/2020	Liu	
D887,059 S	6/2020	Liu	
D903,176 S	11/2020	Mai	
D903,921 S	12/2020	Zhuo	
D905,312 S	12/2020	Zhuo	
D909,652 S	2/2021	Wu	
D914,942 S	3/2021	Li	
D921,261 S	6/2021	Qiu	
D922,646 S	6/2021	Huang	
D923,225 S	6/2021	Hu	
D923,226 S	6/2021	Hu	
D923,845 S	6/2021	Kong	
D925,084 S	7/2021	Chen	
D925,100 S	7/2021	Chen	
D929,637 S	8/2021	Harders	
D930,225 S	9/2021	Jiang	
D930,889 S	9/2021	Liu	
D934,478 S	10/2021	Hu	
D936,887 S	11/2021	Yan	
D944,434 S *	2/2022	Li	D26/63

OTHER PUBLICATIONS

Linkind Starray Solar Spotlights Outdoor Lights posted to amazon.com. Available date: Sep. 23, 2020 [site visited Jun. 22, 2022] Available: <https://www.amazon.com/Linkind-Spotlights-Landscape-Waterproof-Multicoloured/dp/B08FSLV3LX/ref=psdc_495236_t1_B09WV5NVV4?th=1> (Year: 2020).*

* cited by examiner

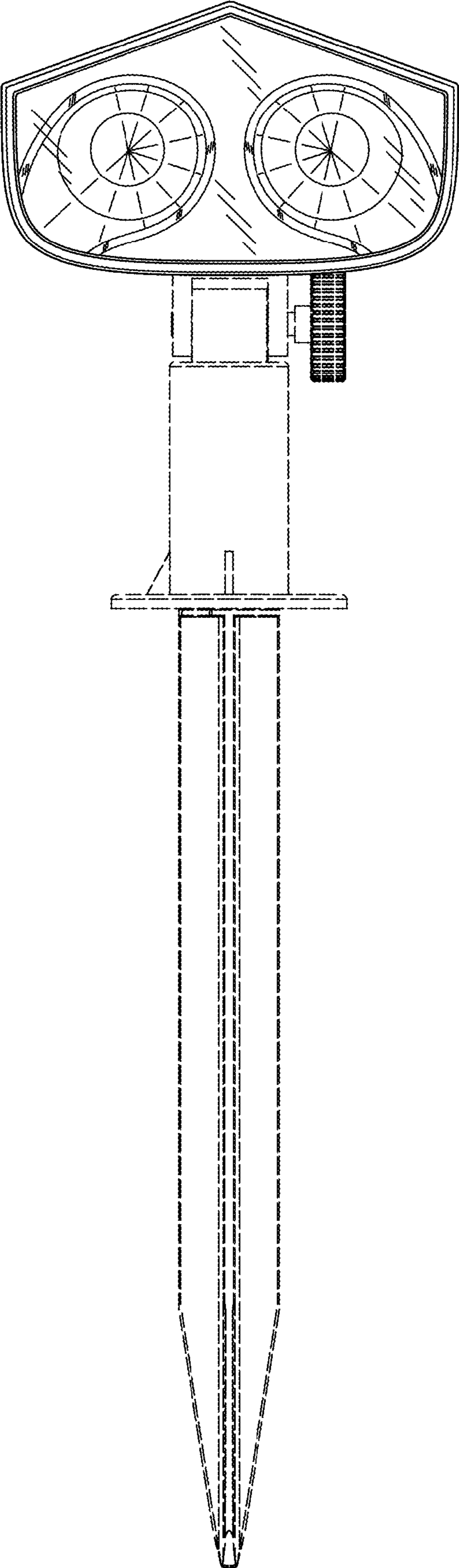


FIG. 1

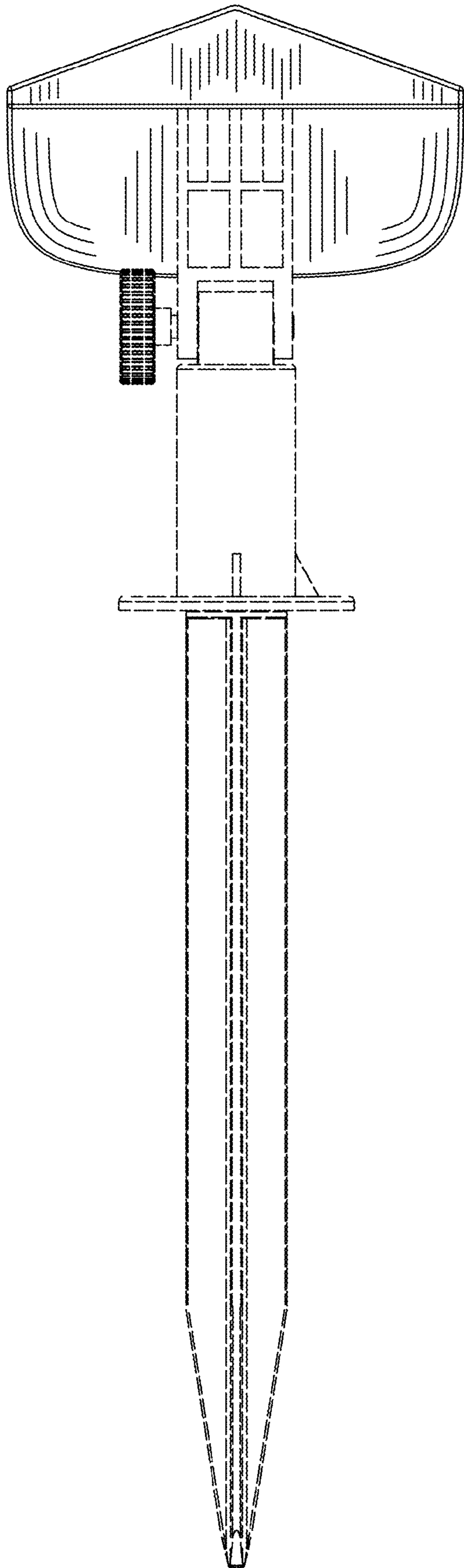


FIG. 2

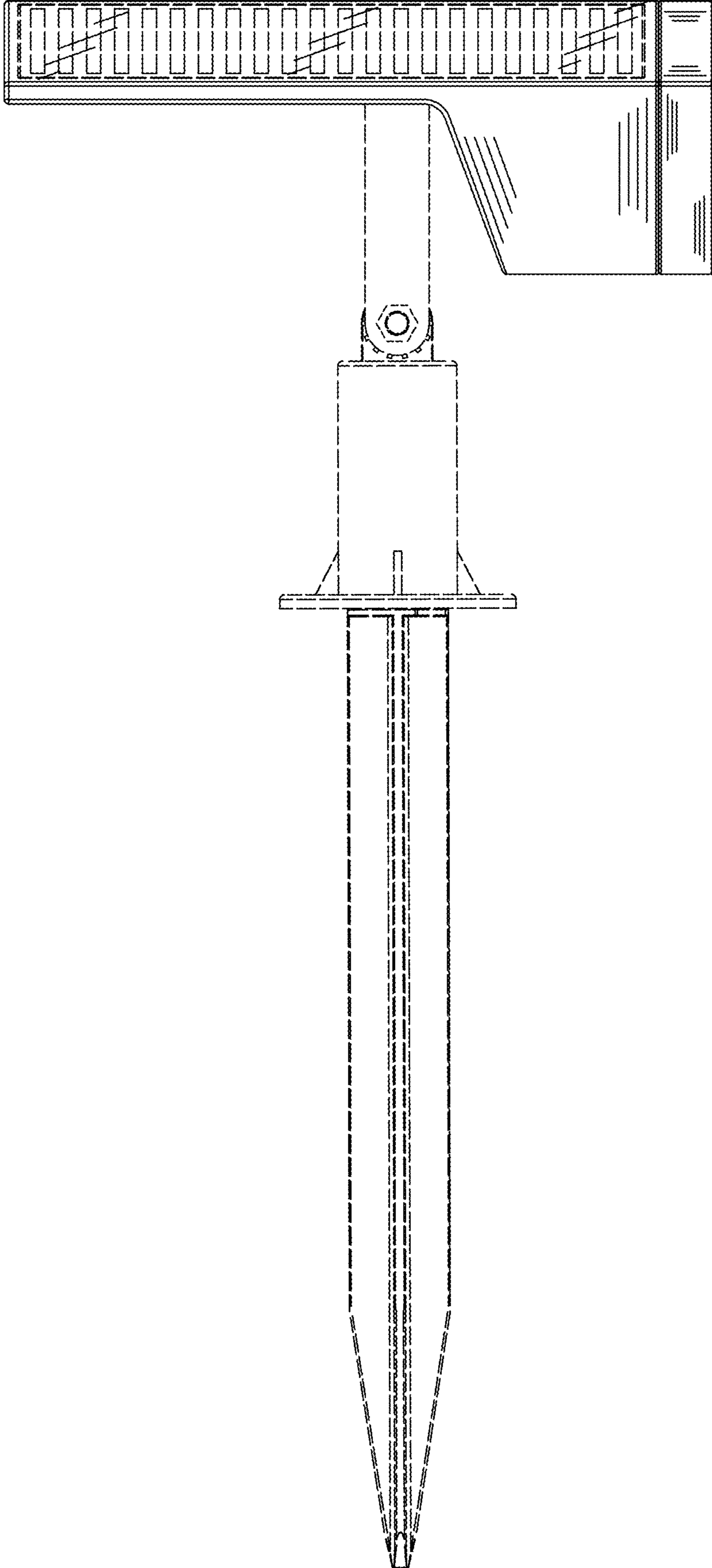


FIG. 3

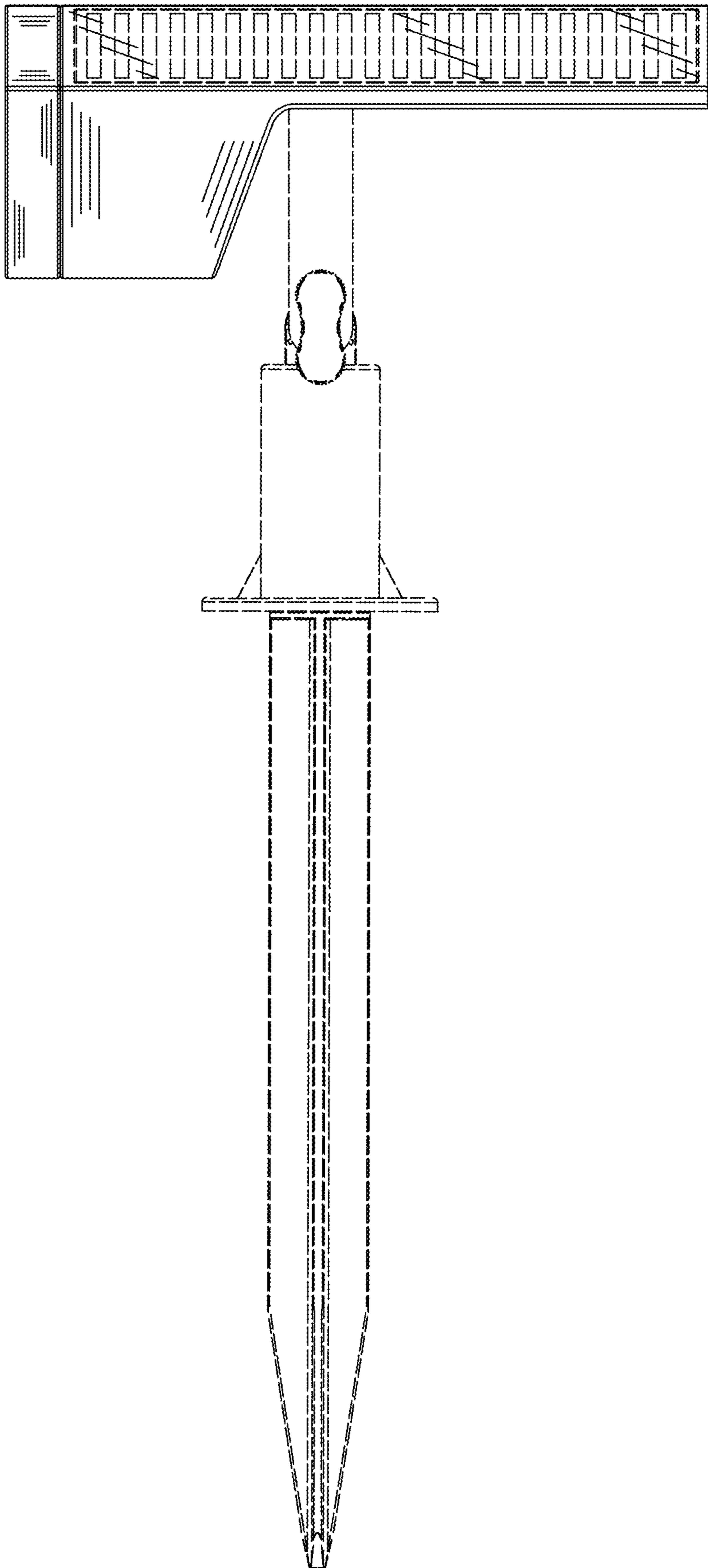


FIG. 4

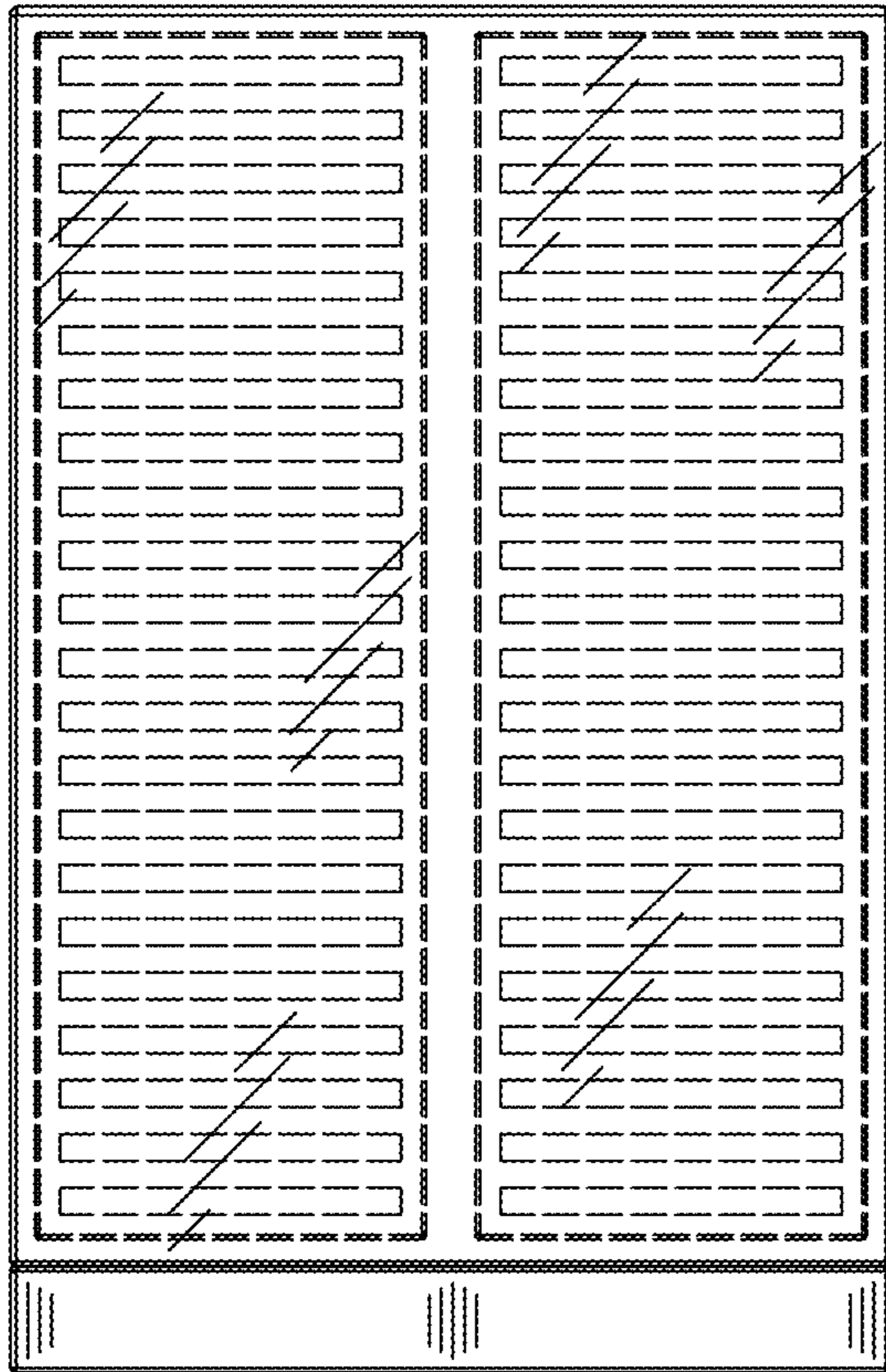


FIG. 5

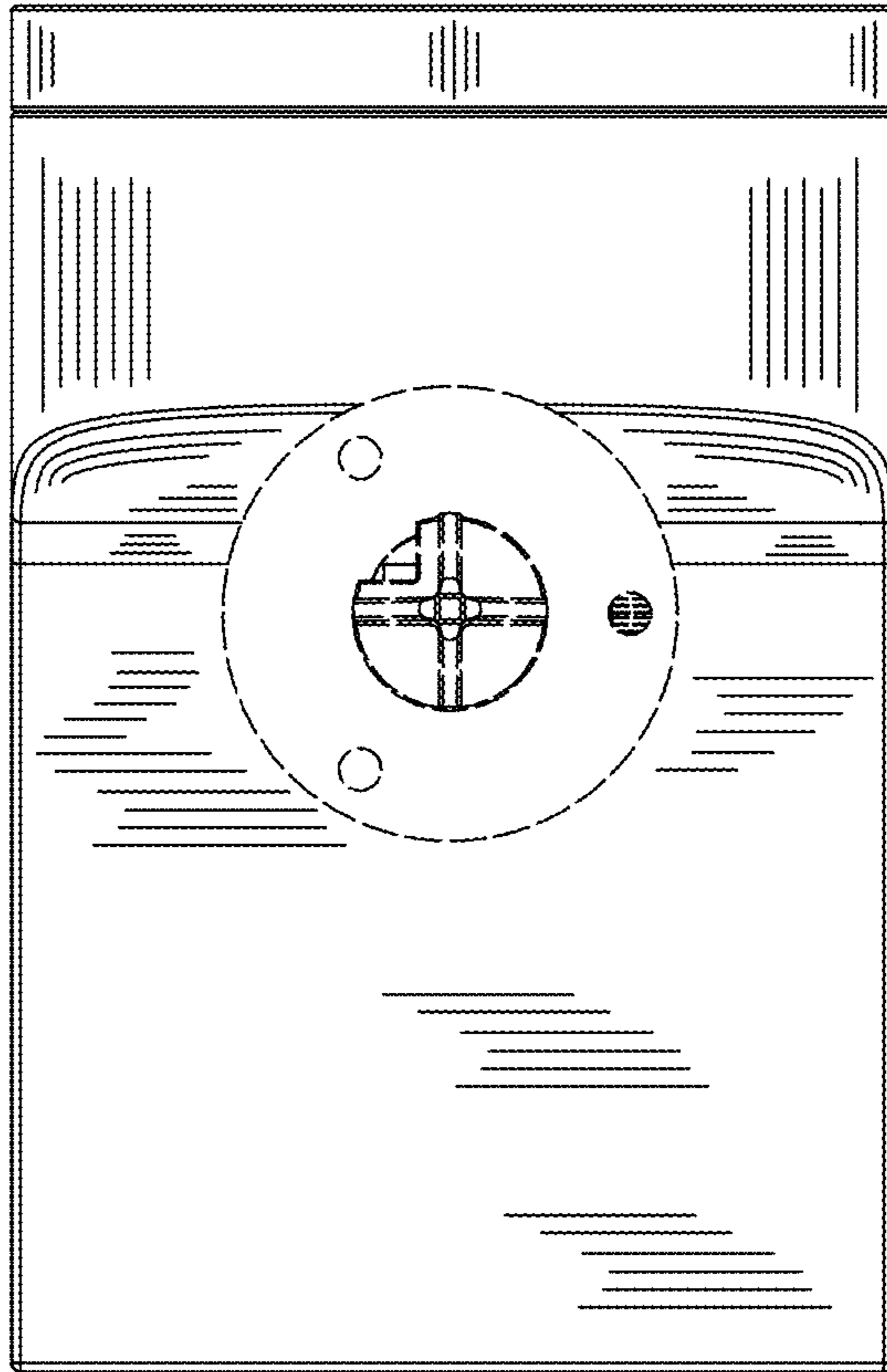


FIG. 6

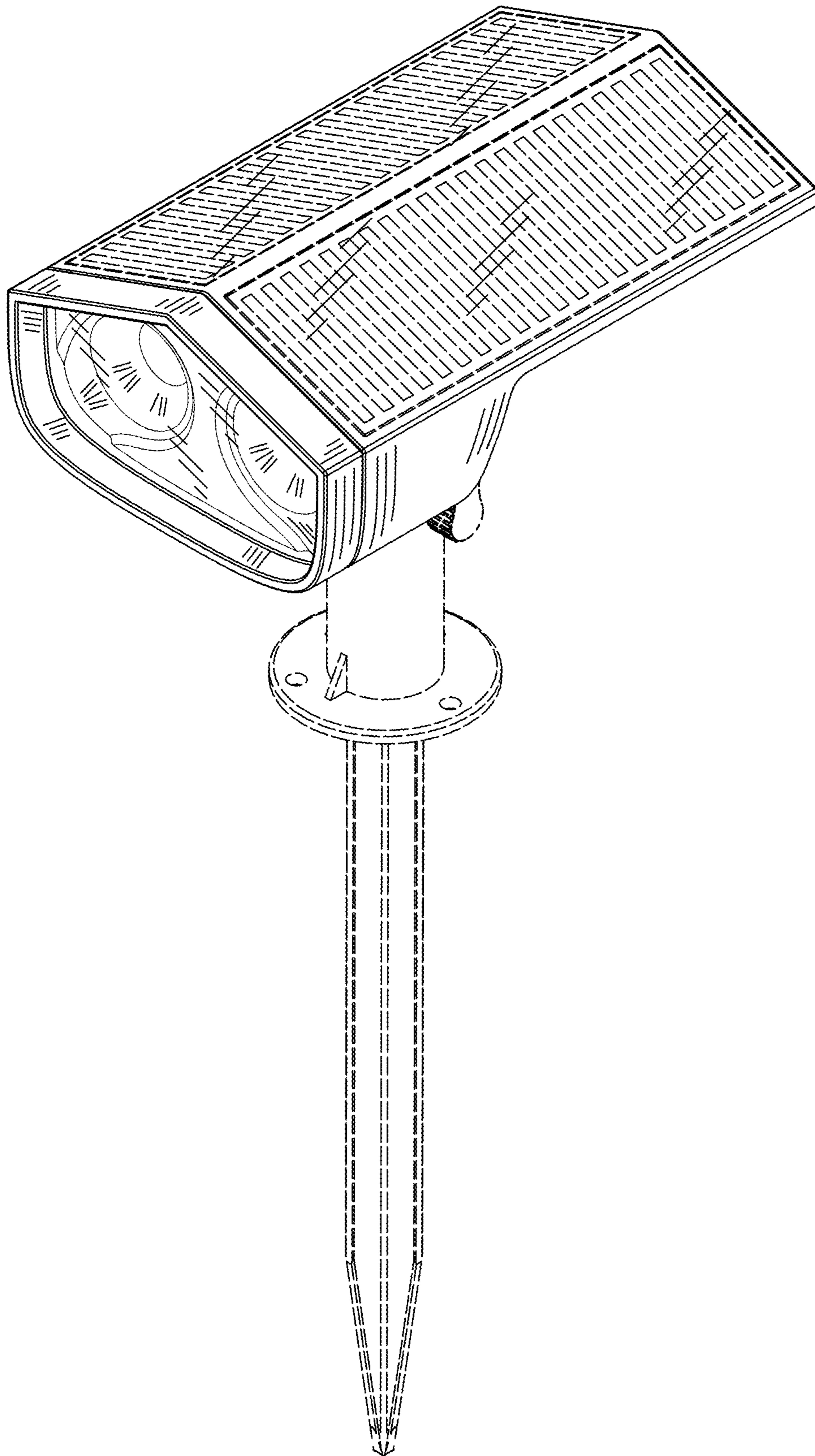


FIG. 7

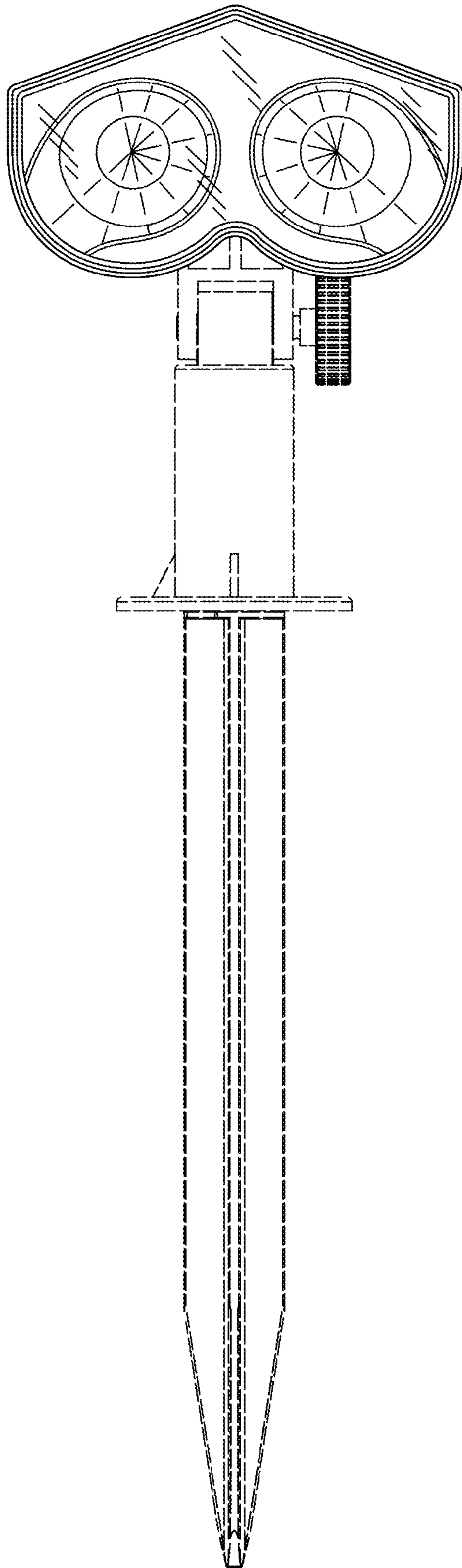


FIG. 8

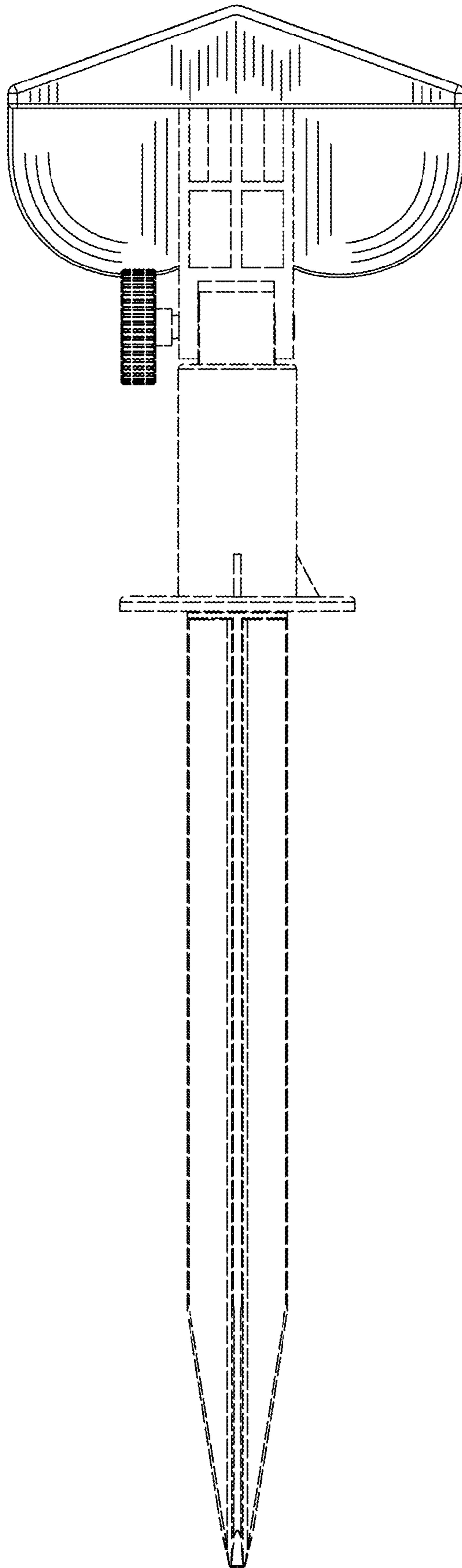


FIG. 9

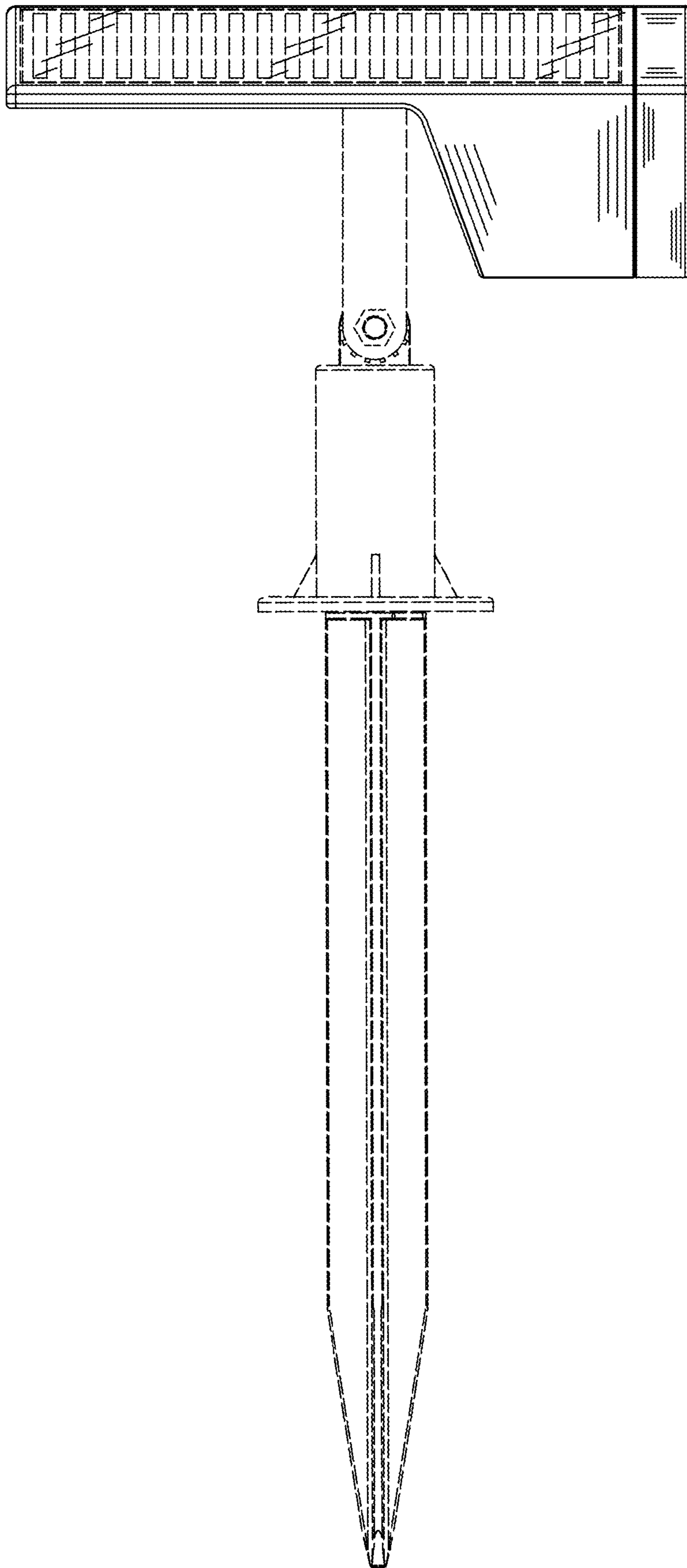


FIG. 10

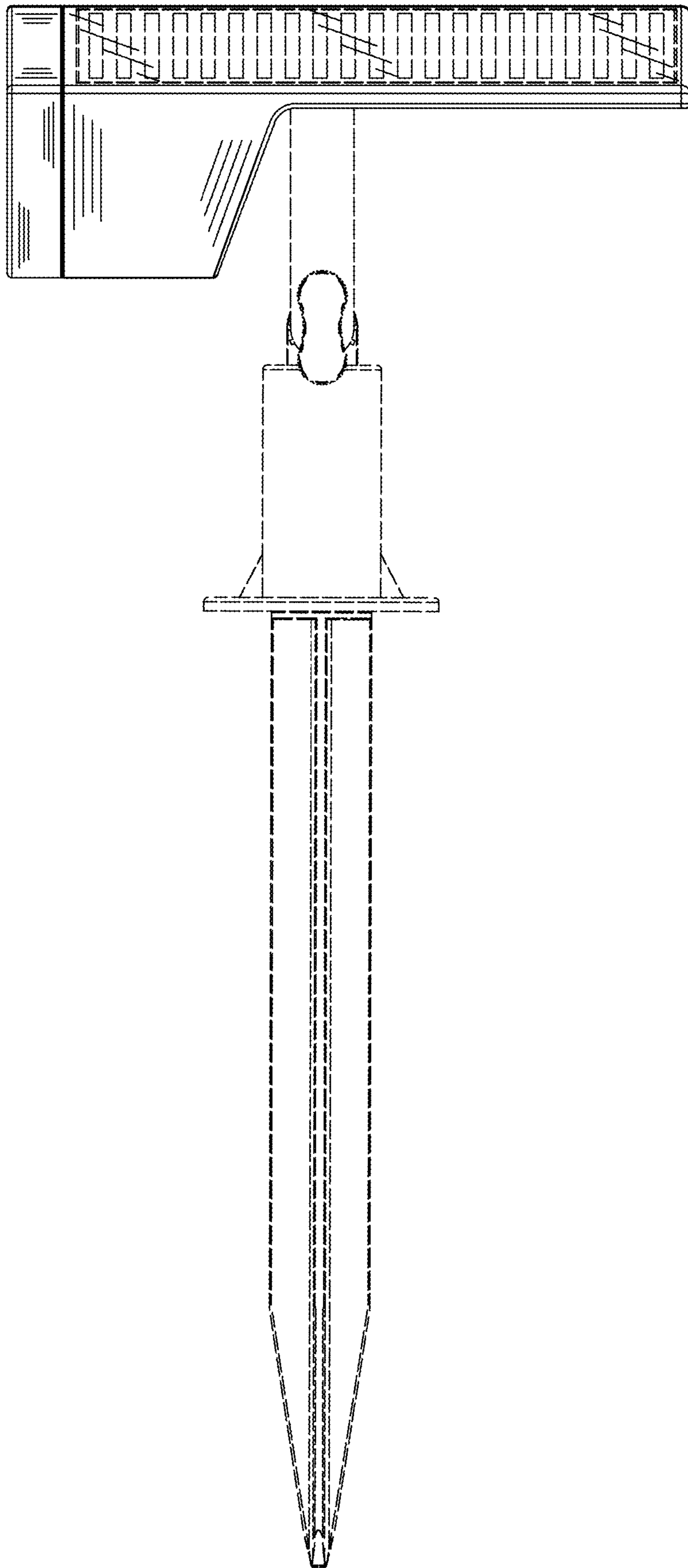


FIG. 11

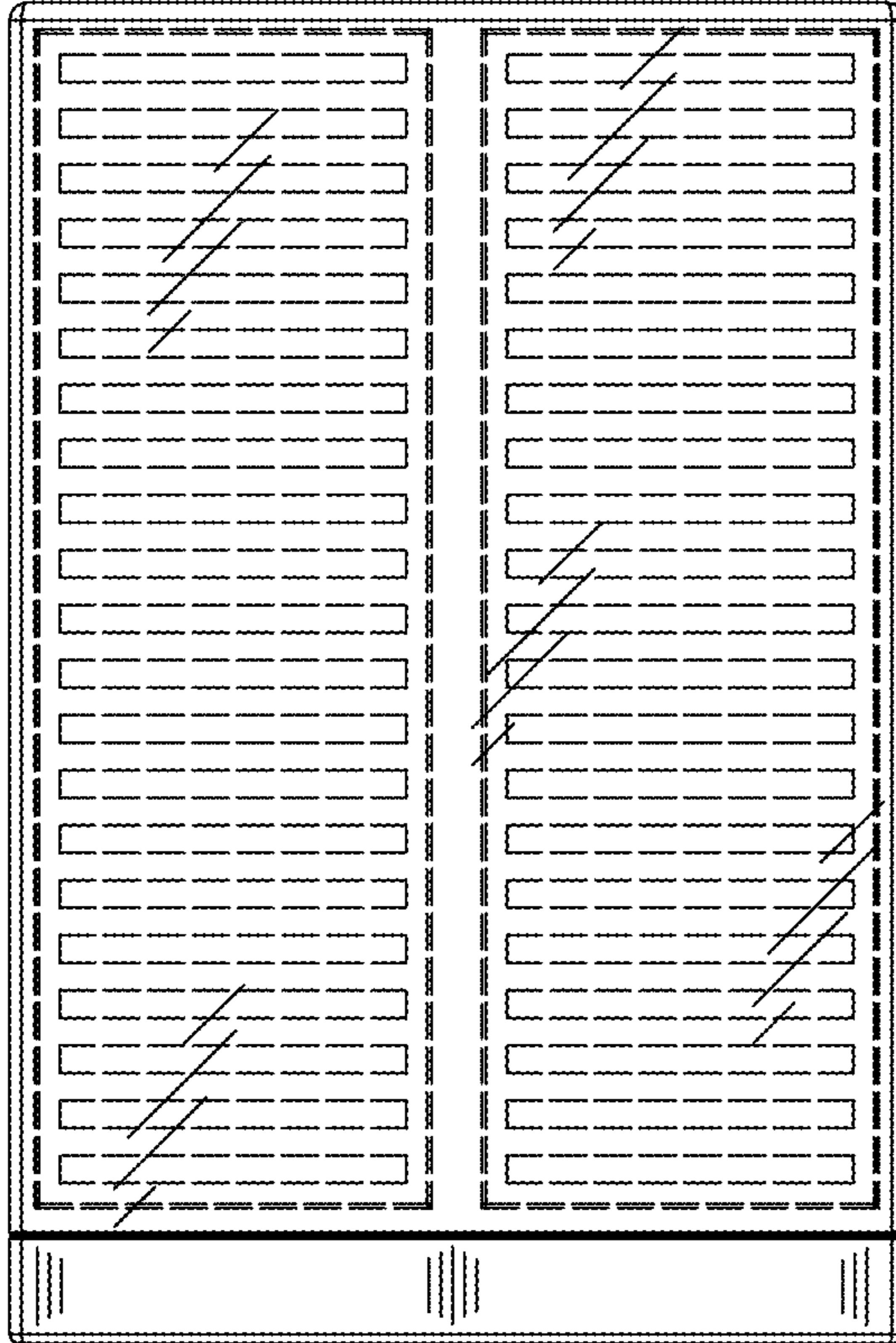


FIG. 12

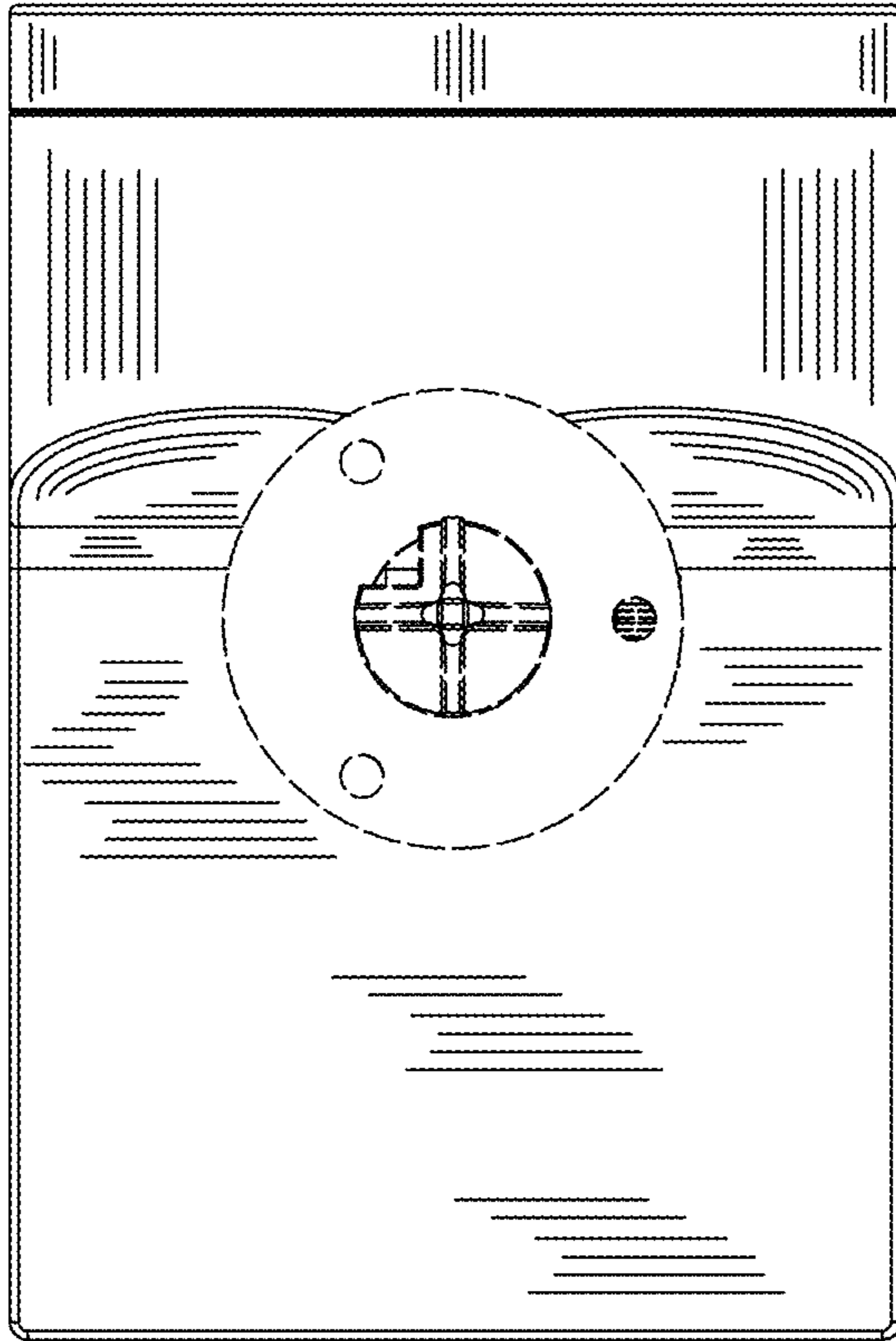


FIG. 13

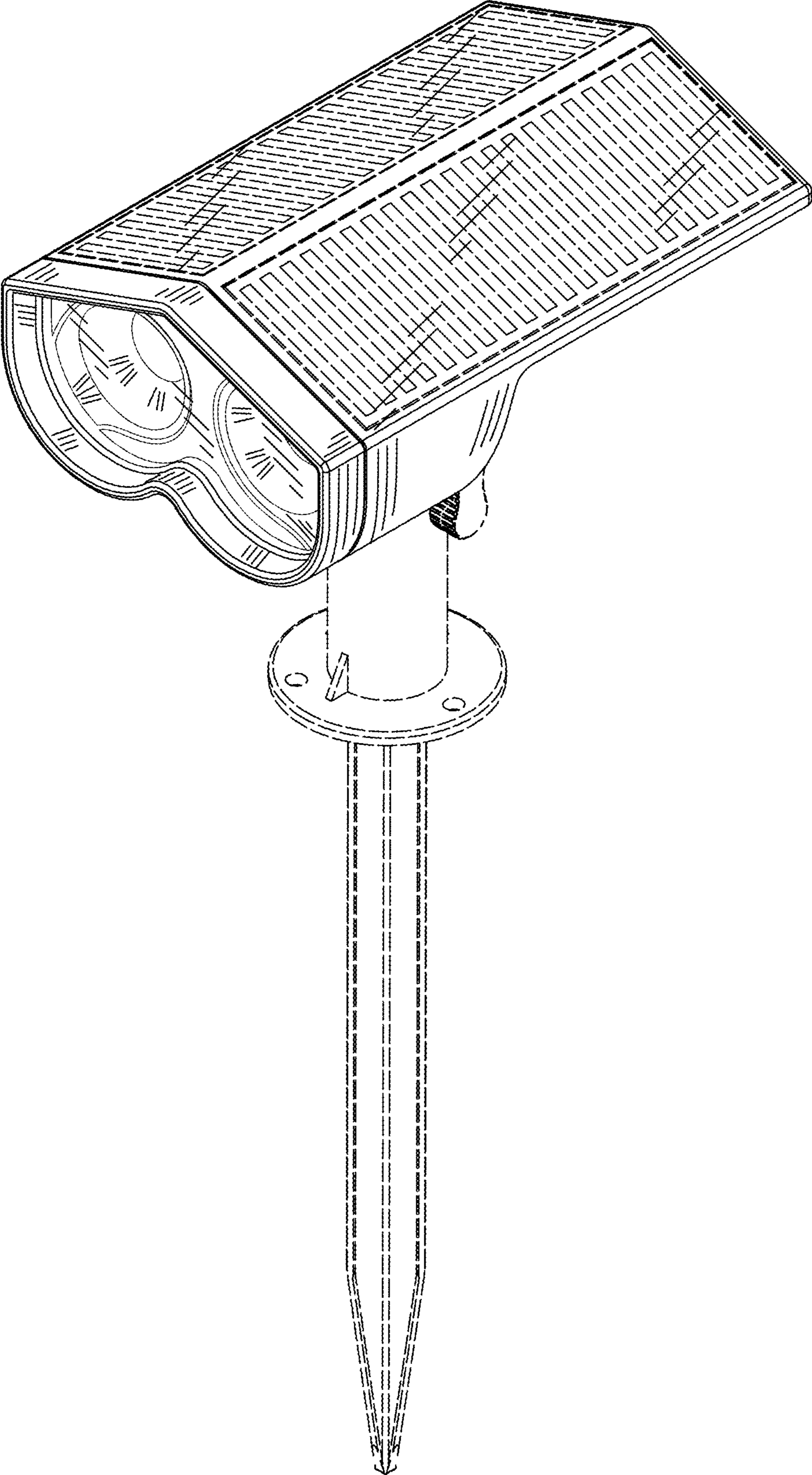


FIG. 14