

US00D966589S

(12) **United States Design Patent** (10) **Patent No.:** **US D966,589 S**
Jia (45) **Date of Patent:** **** Oct. 11, 2022**

(54) **PLANT GROWTH LAMP**

FOREIGN PATENT DOCUMENTS

(71) Applicant: **Lun Jia**, Shenzhen (CN)

CN 202130229063.5 * 10/2021

(72) Inventor: **Lun Jia**, Shenzhen (CN)

OTHER PUBLICATIONS

(**) Term: **15 Years**

(21) Appl. No.: **29/778,528**

(22) Filed: **Apr. 13, 2021**

(51) **LOC (13) Cl.** **26-05**

(52) **U.S. Cl.**
USPC **D26/60**

(58) **Field of Classification Search**
USPC D26/1, 3, 24, 25, 60, 61, 72, 75, 80, 102
CPC F21L 2/00; F21S 2/00; F21S 8/00; F21S
8/006; F21S 8/026; F21S 8/036; F21S
8/043; F21S 8/065; H01K 7/02; A01G
7/045

See application file for complete search history.

Amazon, "Abonnyc Grow Light", first available Jul. 14, 2020. (https://www.amazon.com/dp/B08CXPZFKJ/) (Year: 2020).*
Amazon, "Gardguard Plant Grow Light", first available Jul. 19, 2021. (https://www.amazon.com/dp/B099RYRGTD/) (Year: 2021).*
Amazon, "zylsa LED Grow Light", first available Mar. 9, 2021. (https://www.amazon.com/dp/B08QVC72ST/) (Year: 2021).*
Amazon, "Lxyoug LED Grow Lights", first available May 10, 2021. (https://www.amazon.com/Lights-Indoor-Spectrum-Adjustable-Control/dp/B094J35S9C) (Year: 2021).*

* cited by examiner

Primary Examiner — Lauren D McVey
Assistant Examiner — Justin A Johnson

(56) **References Cited**

U.S. PATENT DOCUMENTS

D819,856 S *	6/2018	Gelman	D26/62
D838,887 S *	1/2019	Su	D26/60
10,557,598 B2	2/2020	Smith et al.		
D878,654 S *	3/2020	Lin	D26/60
D884,930 S	5/2020	Tang		
D901,064 S *	11/2020	Hodgson	D26/102
D901,739 S *	11/2020	Wu	D26/60
D919,874 S *	5/2021	Tang	D26/106
D921,255 S *	6/2021	Jia	D26/60
D921,278 S *	6/2021	Tang	D26/106
D922,643 S *	6/2021	Huang	D26/60
D925,800 S *	7/2021	He	F21V 21/088 D26/60
D929,022 S *	8/2021	Tang	F21V 23/04 D26/106
2007/0115672 A1 *	5/2007	Nelson	F21V 21/088 362/396
2010/0238644 A1 *	9/2010	Huang	F21V 23/04 362/33

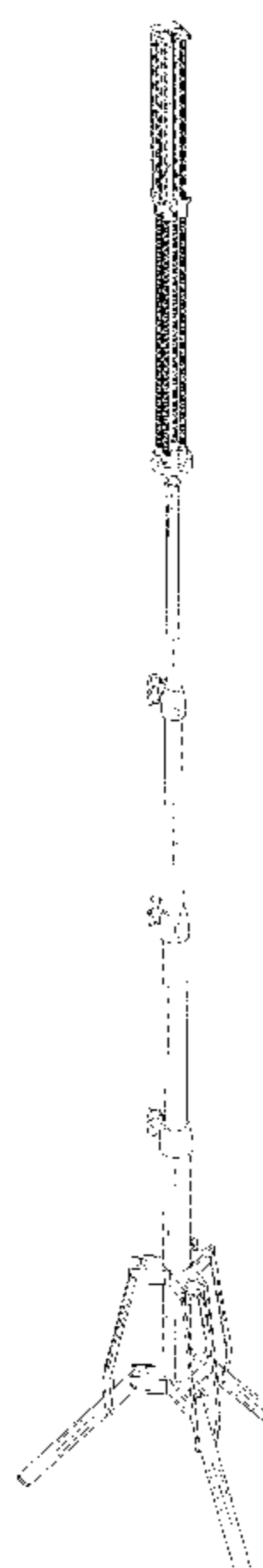
(57) **CLAIM**

The ornamental design for a plant growth lamp, as shown and described.

DESCRIPTION

FIG. 1 is a perspective view of a plant growth lamp showing my new design where the plant growth lamp is in a first configuration of use;
FIG. 2 is a perspective view of the plant growth lamp where the plant growth lamp is in a second configuration of use;
FIG. 3 is a front elevational view of the plant growth lamp shown in FIG. 1;
FIG. 4 is a rear elevational view thereof;
FIG. 5 is a left side elevational view thereof;
FIG. 6 is a right side elevational view thereof;
FIG. 7 is a top plan view thereof; and,
FIG. 8 is a bottom plan view thereof.

1 Claim, 8 Drawing Sheets



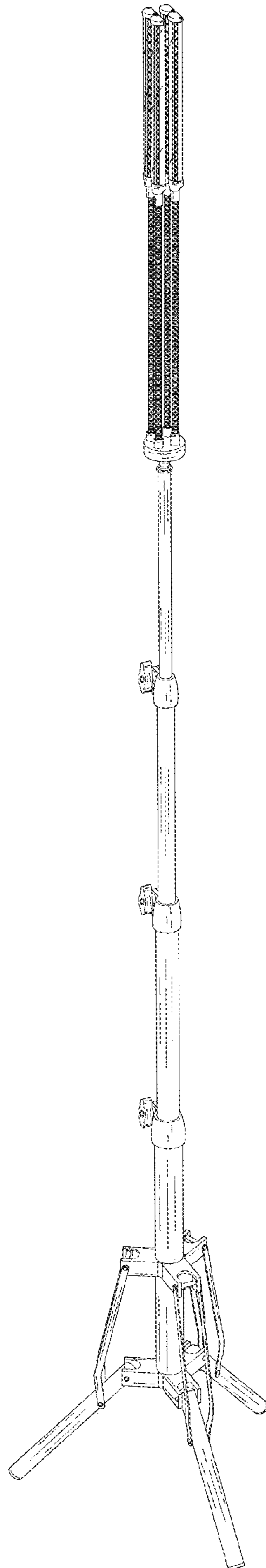


FIG. 1

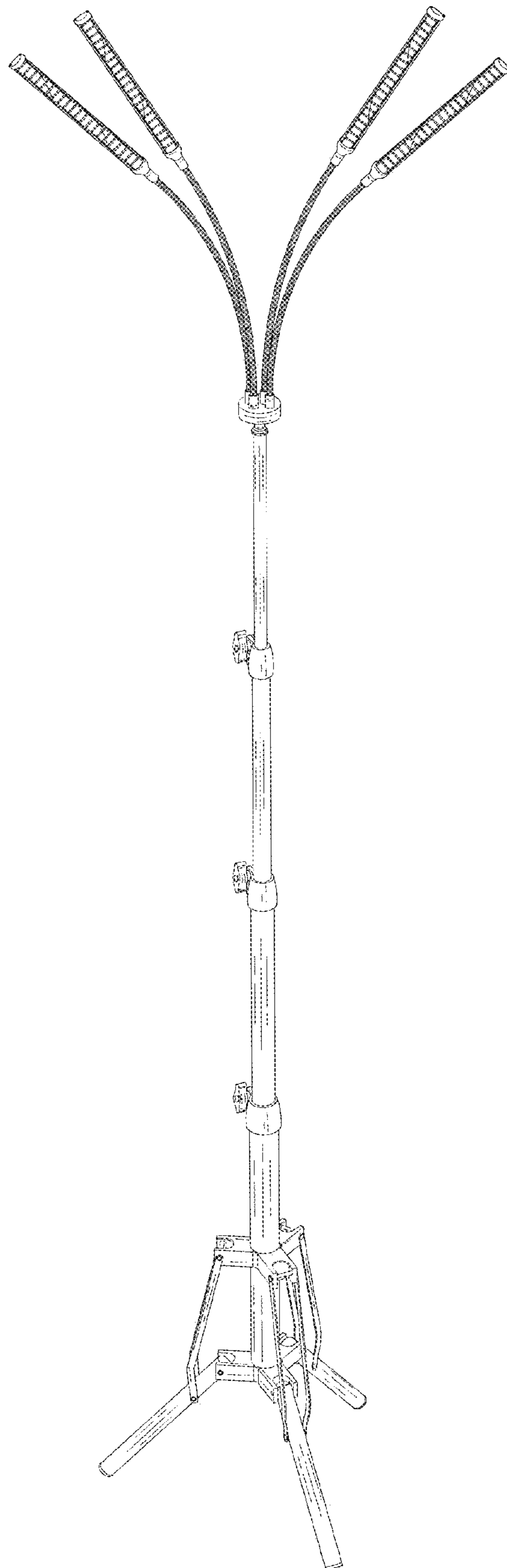


FIG. 2

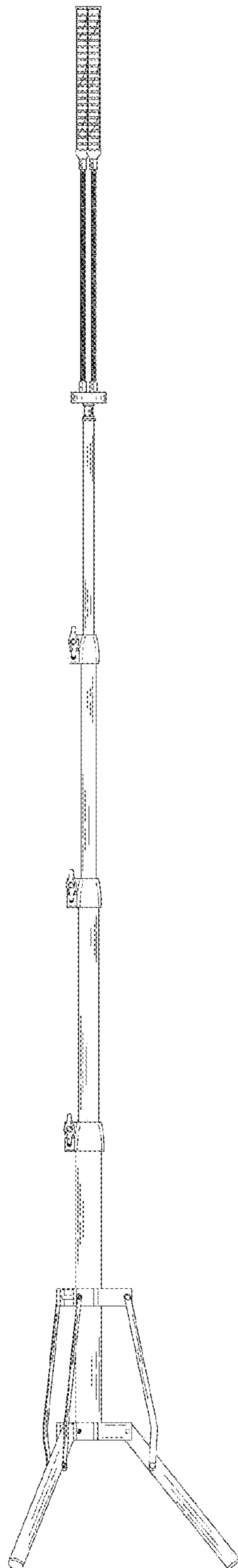


FIG. 3

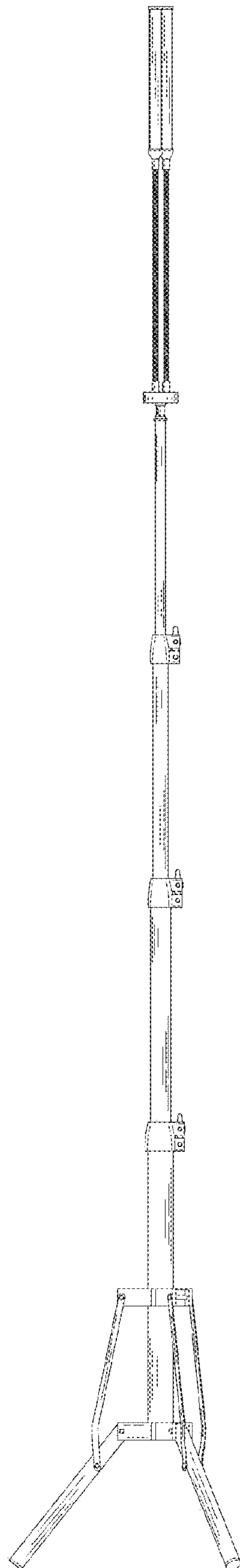


FIG. 4

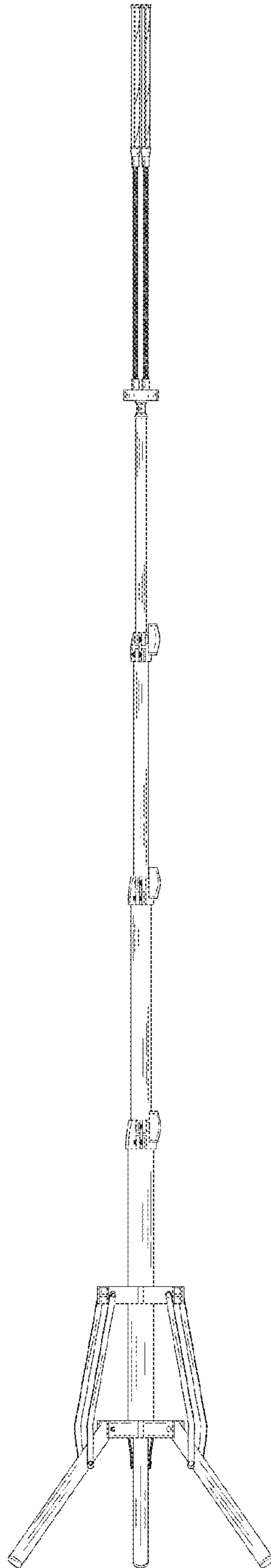


FIG. 5

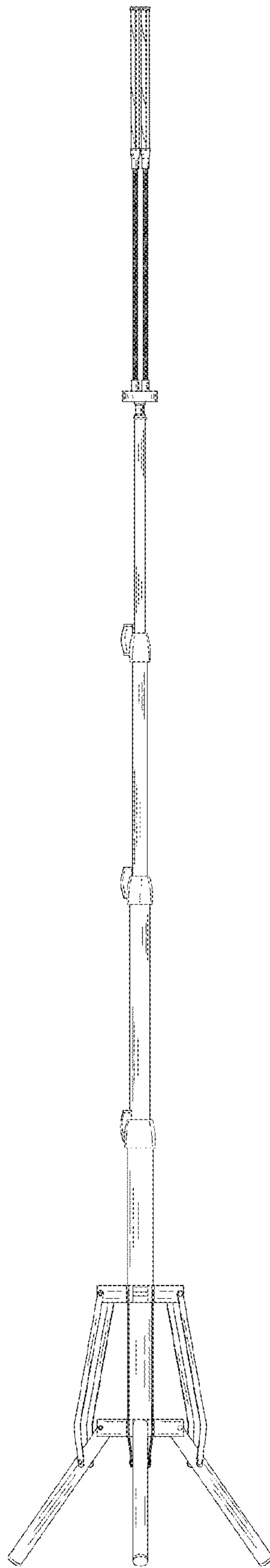


FIG. 6

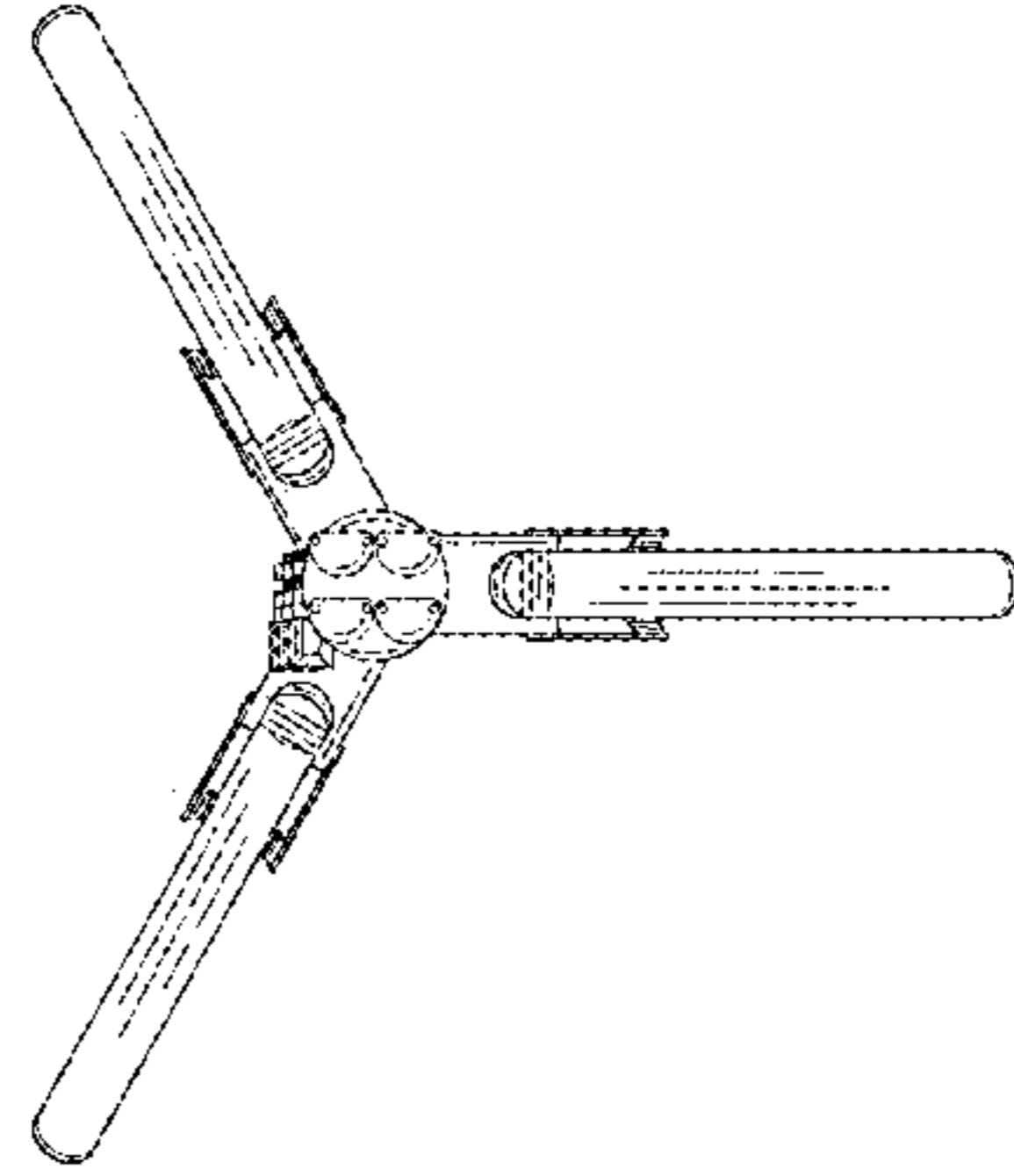


FIG. 7

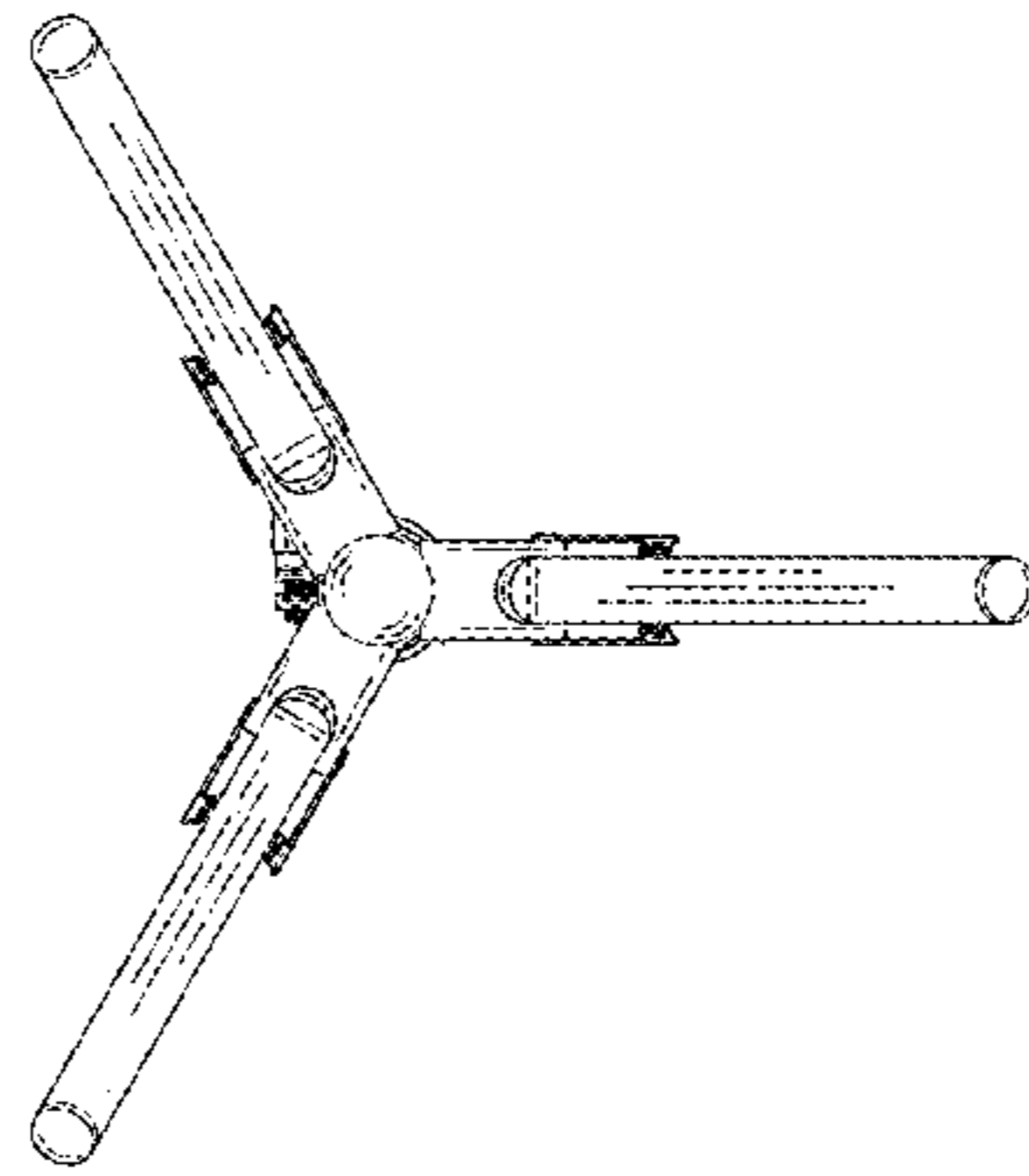


FIG. 8