



US00D966588S

(12) **United States Design Patent**
Liang

(10) **Patent No.:** **US D966,588 S**

(45) **Date of Patent:** **** Oct. 11, 2022**

(54) **NIGHT LIGHT**

(71) Applicant: **Gaozhou qifan Lighting Technology Co., Ltd.**, Guangdong (CN)

(72) Inventor: **Bo Liang**, Guangdong (CN)

(73) Assignee: **Gaozhou qifan Lighting Technology Co., Ltd.**, Guangdong (CN)

(**) Term: **15 Years**

(21) Appl. No.: **29/804,506**

(22) Filed: **Aug. 20, 2021**

(51) **LOC (13) Cl.** **26-02**

(52) **U.S. Cl.**
USPC **D26/41**; D26/37; D26/40; D26/104

(58) **Field of Classification Search**
USPC D26/37-44, 46-52, 67, 85, 87, 60, 61, D26/36, 25, 27, 113, 104; D10/109.1, D10/111-115
CPC F21L 4/00; F21L 2005/00; F21L 19/00; F21Y 2107/30; H05B 47/10; H02J 7/0044; F21V 5/006; F21V 21/0824; F21V 15/02; F21S 9/022; F21W 2131/1005

See application file for complete search history.

(56) **References Cited**

U.S. PATENT DOCUMENTS

D207,735 S *	5/1967	Benes	F21V 23/04
				D26/40
D560,010 S *	1/2008	Kwok	D26/40
D563,594 S *	3/2008	Held	D26/93
D608,036 S *	1/2010	Lee	D26/40
D675,304 S *	1/2013	Valentino	D23/366
D773,704 S *	12/2016	Pardo	D26/41
D829,689 S *	10/2018	Kim	D14/216
D835,600 S *	12/2018	Weiss	D14/204
D845,527 S *	4/2019	Hsu	D26/41

D864,150 S *	10/2019	Kim	D14/204
D879,072 S *	3/2020	Peng	D14/216
D882,841 S *	4/2020	Zhuo	D26/51
D883,558 S	5/2020	Zhao		

(Continued)

FOREIGN PATENT DOCUMENTS

CN	303959223	*	12/2016	
CN	305072444	*	3/2019 F21L 4/00

(Continued)

OTHER PUBLICATIONS

Luis Felipe Camilo, "Humidificador de Esencias Aromaricas," Dec. 27, 2019 (review), amazon.com, site visited Aug. 18, 2022, URL: <https://www.amazon.com/InnoGear-Essential-Aromatherapy-Ultrasonic-Humidifier/dp/B07T96KT58?th=1> (Year: 2019).*

(Continued)

Primary Examiner — Eric L Goodman
Assistant Examiner — Sarah L Smith
(74) *Attorney, Agent, or Firm* — ScienBiziP, P.C.

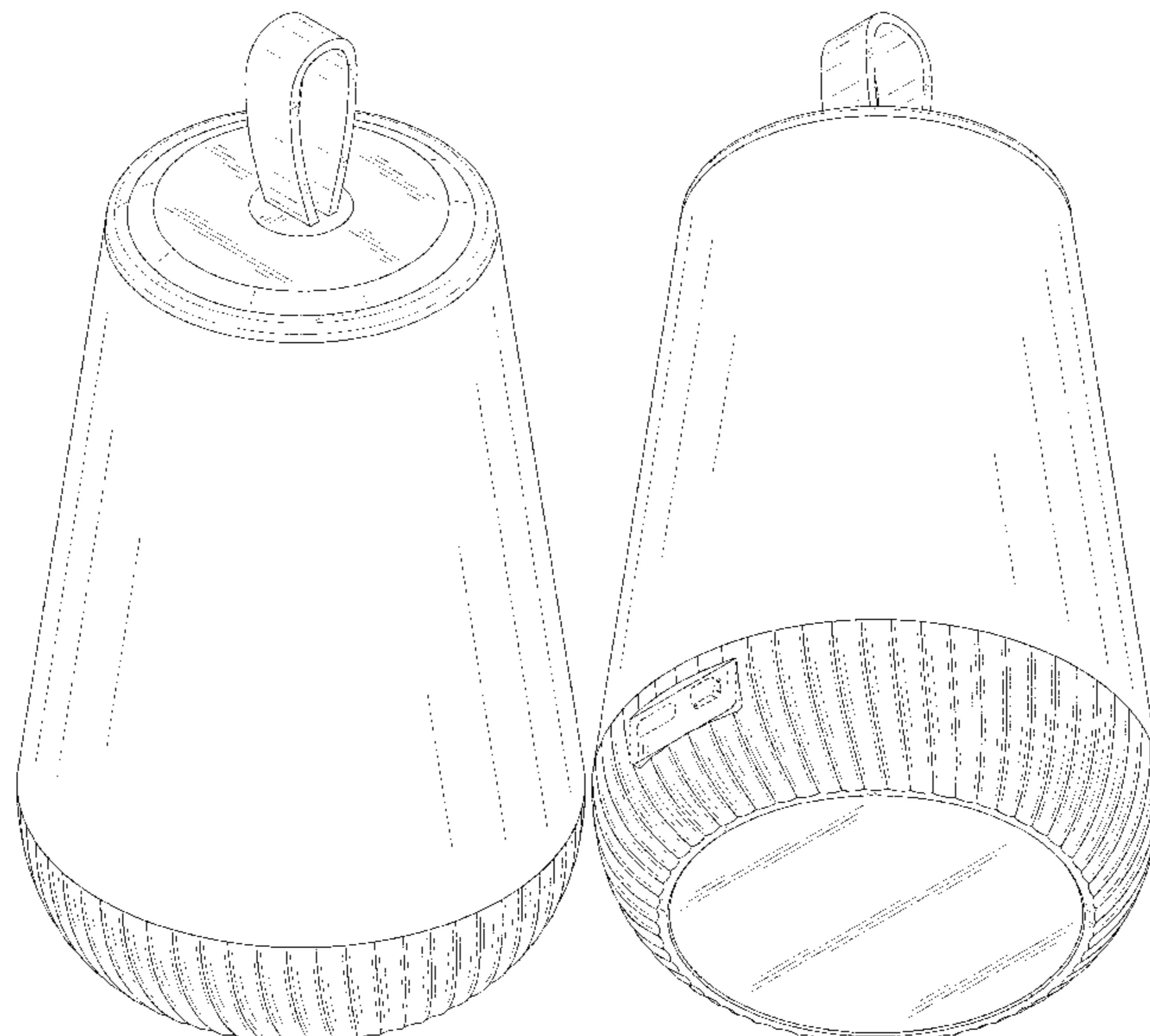
(57) **CLAIM**

The ornamental design for a night light, as shown and described.

DESCRIPTION

FIG. 1 is a front, right, and top perspective view of a night light, showing my design.
FIG. 2 is a rear, left, and bottom perspective view thereof.
FIG. 3 is a front elevation view thereof.
FIG. 4 is a rear elevation view thereof.
FIG. 5 is a left side elevation view thereof.
FIG. 6 is a right side elevation view thereof.
FIG. 7 is a top plan view thereof; and,
FIG. 8 is a bottom plan view thereof.
The broken lines shown in the drawings are included for the purpose of illustrating portions of the night light that form no part of the claimed design.

1 Claim, 8 Drawing Sheets



(56)

References Cited

OTHER PUBLICATIONS

U.S. PATENT DOCUMENTS

D887,390 S * 6/2020 Weiss D14/204
 D893,457 S * 8/2020 Wei D14/216
 D905,049 S * 12/2020 Lu D14/496
 D920,491 S * 5/2021 Jaanus D23/364
 D922,367 S * 6/2021 Garbelman D14/242
 D926,305 S * 7/2021 Lee D23/366
 D927,043 S 8/2021 Tian
 D930,133 S * 9/2021 Jung D23/364
 D940,292 S * 1/2022 Wang D23/366
 D947,430 S * 3/2022 Wu D26/41
 2010/0244750 A1* 9/2010 Lee F21V 23/04
 315/362

FOREIGN PATENT DOCUMENTS

CN 306515285 * 5/2021
 CN 216307468 U * 4/2022
 EM 008634307-0001 * 7/2021
 GB 2584273 A * 12/2020 F21L 4/00

“Royfacc LED,” Mar. 27, 2019, amazon.com, site visited Aug. 18, 2022, URL: https://www.amazon.com/ROYFACC-Rechargeable-Dimmable-Function-Changing/dp/B07Q2TK97J/ref=sr_1_40?crid=HS67UQ888CA9&keywords=ambient+led+light+for+kids&qid=1660841873&srefix=ambient+led+light+for+kids%2Caps%2C79&sr (Year: 2019).*

“Alinory Lantern,” Oct. 22, 2020, amazon.com, site visited Aug. 18, 2022, URL: <https://www.amazon.com/Alinory-Portable-Survival-Hurricane-Emergency/dp/B08LN991Y6> (Year: 2020).*

“Kirkby Conical Lamp Shade, Warm Grey,” May 30, 2020 (review), made.com, site visited Aug. 18, 2022, URL: <https://www.made.com/kirkby-conical-shade-warm-grey> (Year: 2020).*

* cited by examiner

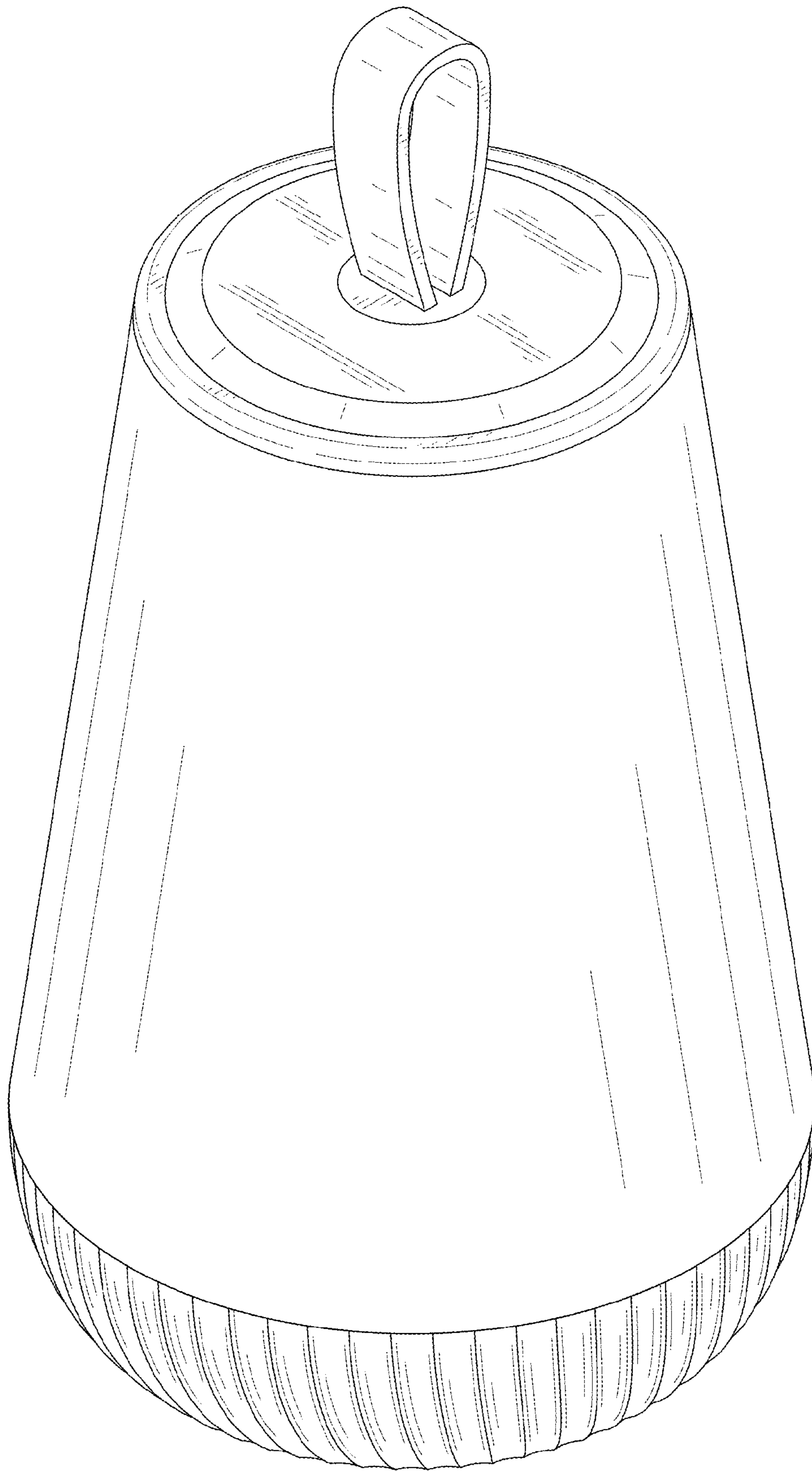


FIG. 1

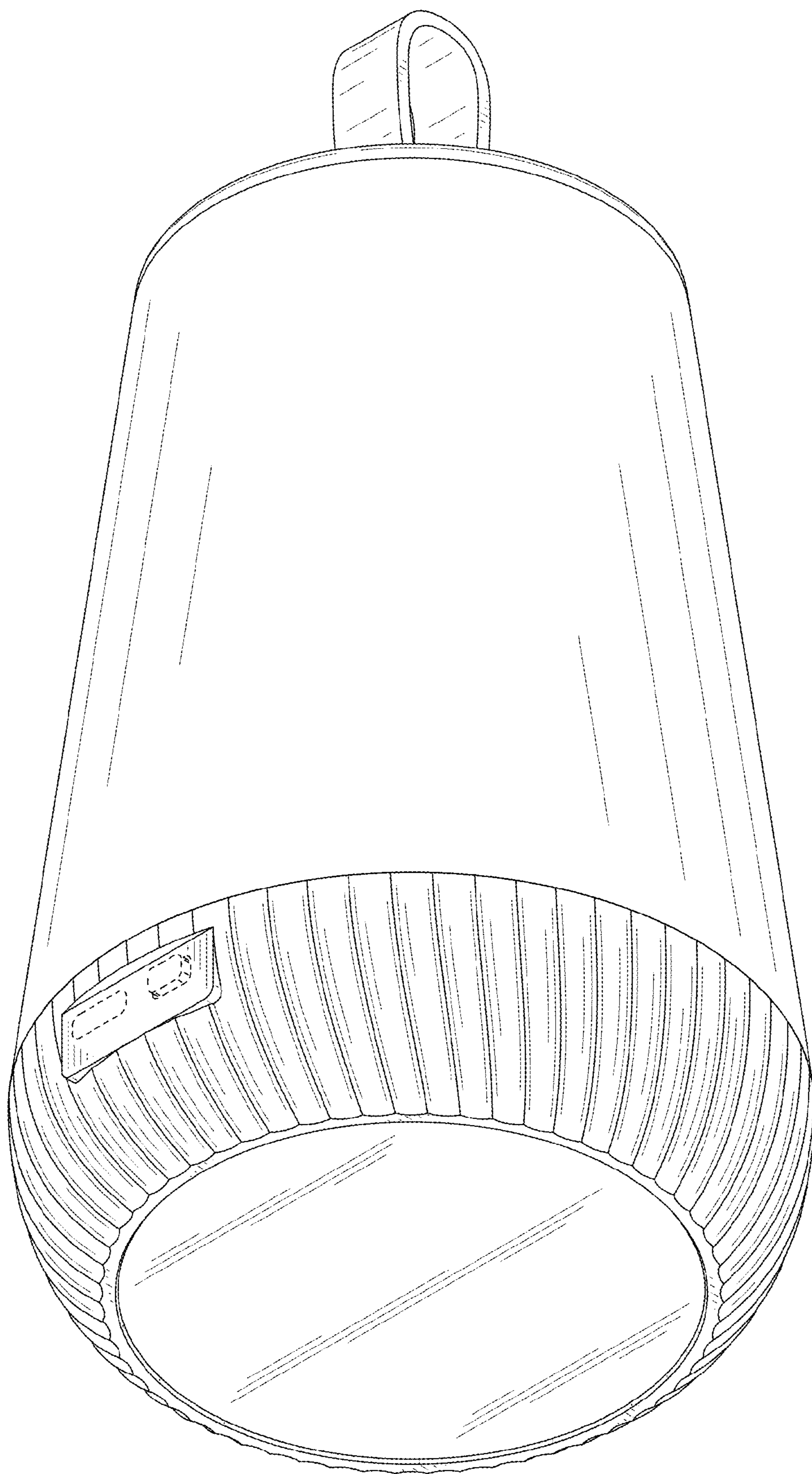


FIG. 2

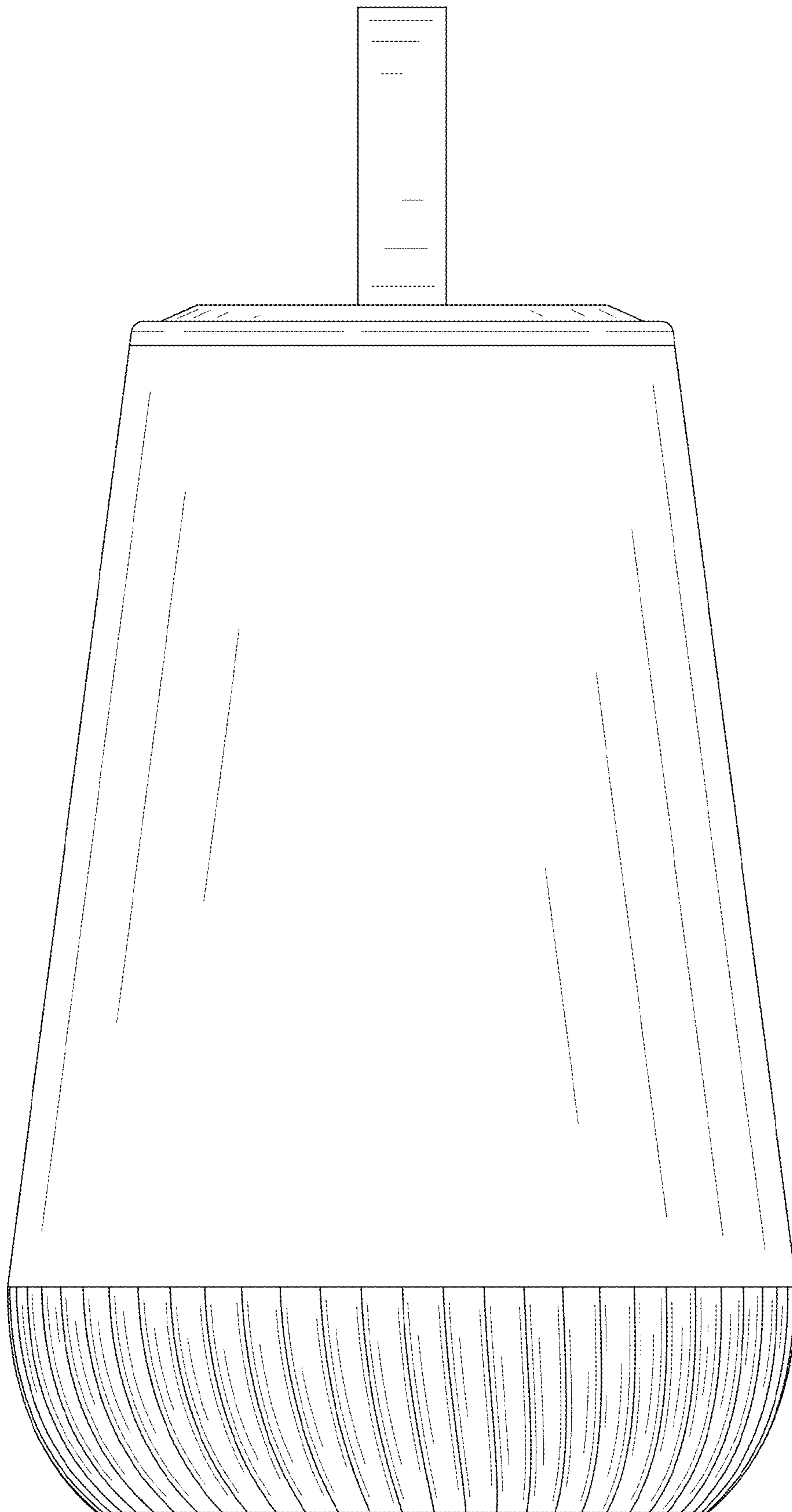


FIG. 3

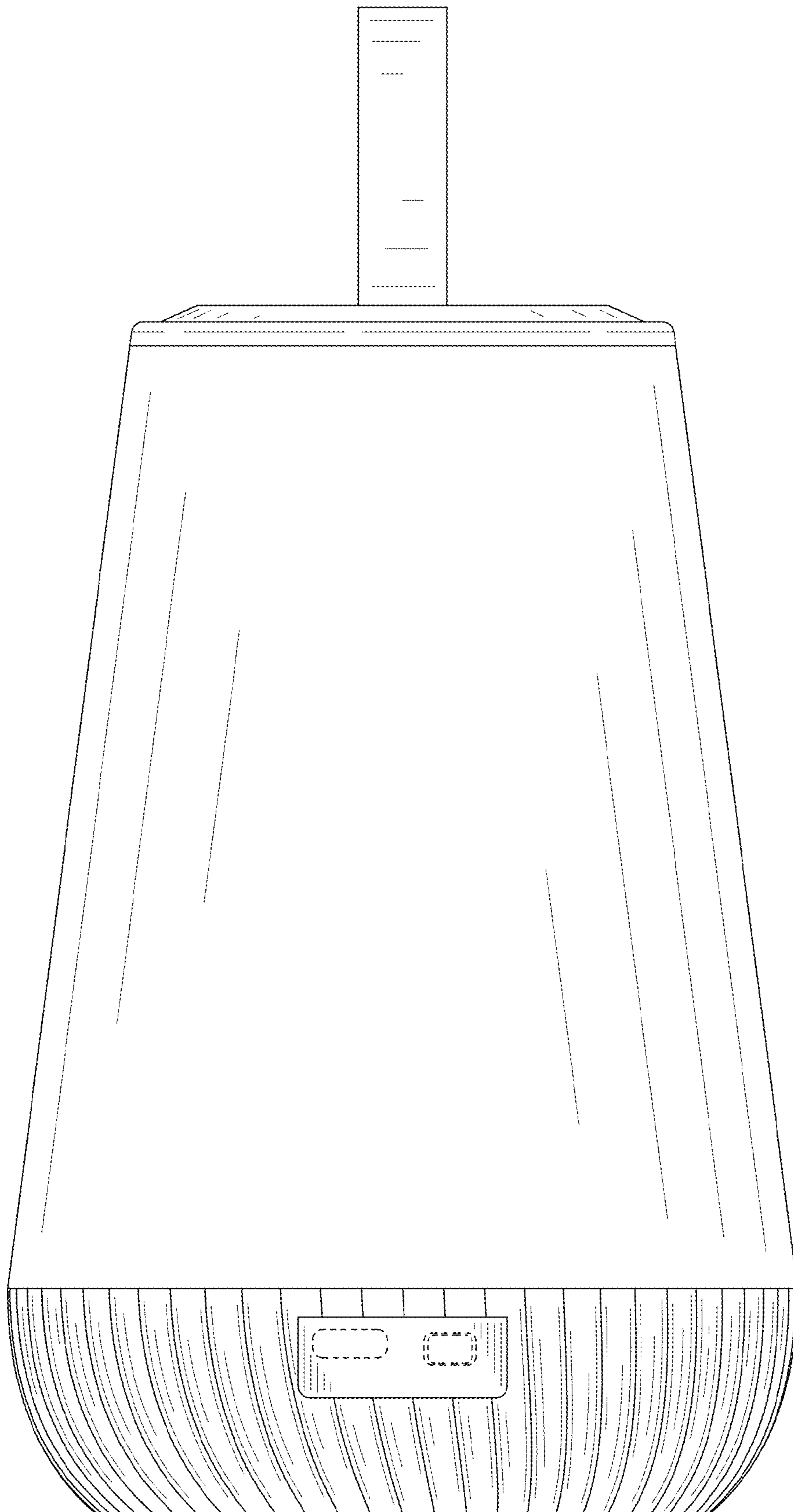


FIG. 4

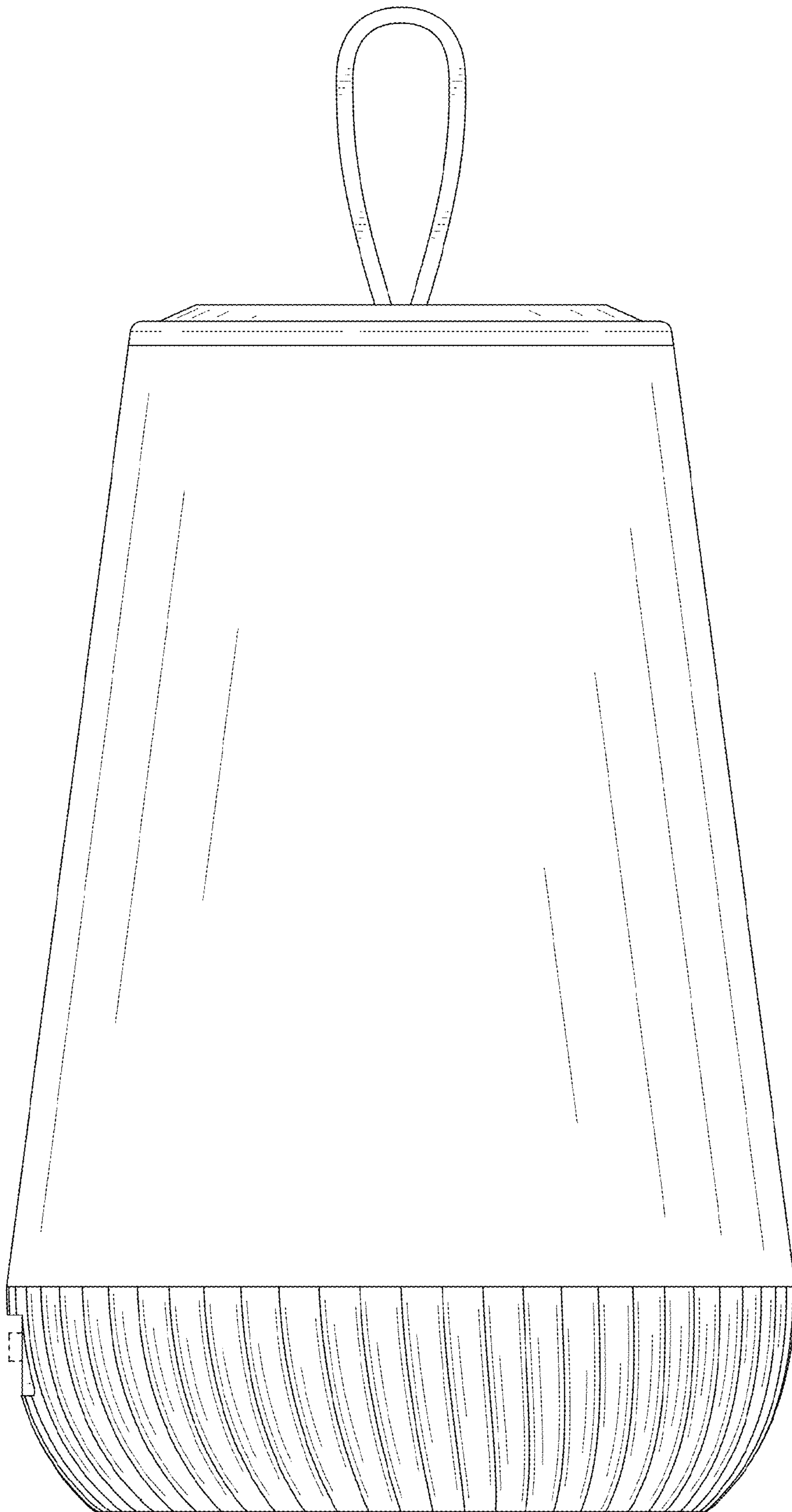


FIG. 5

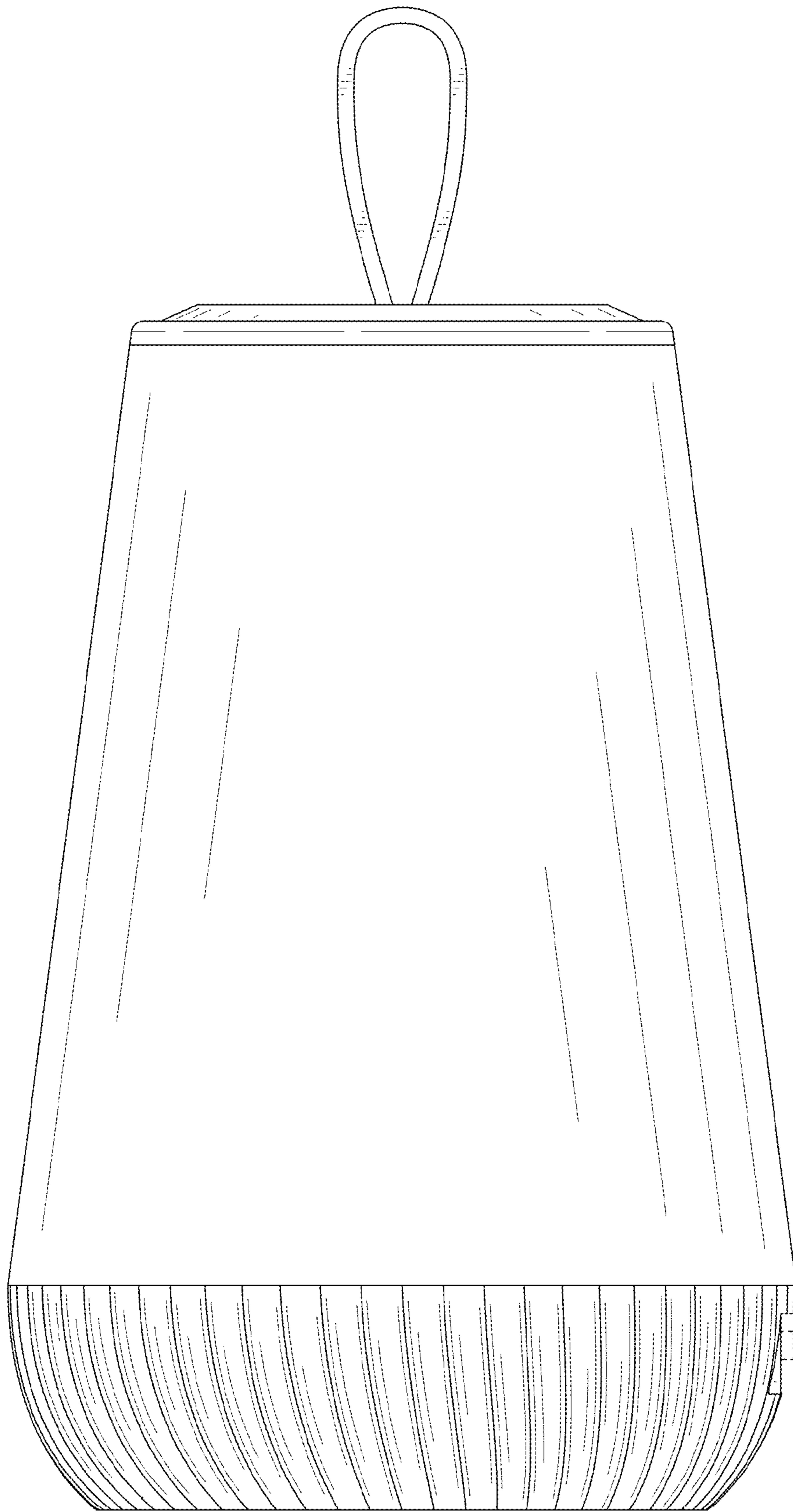


FIG. 6

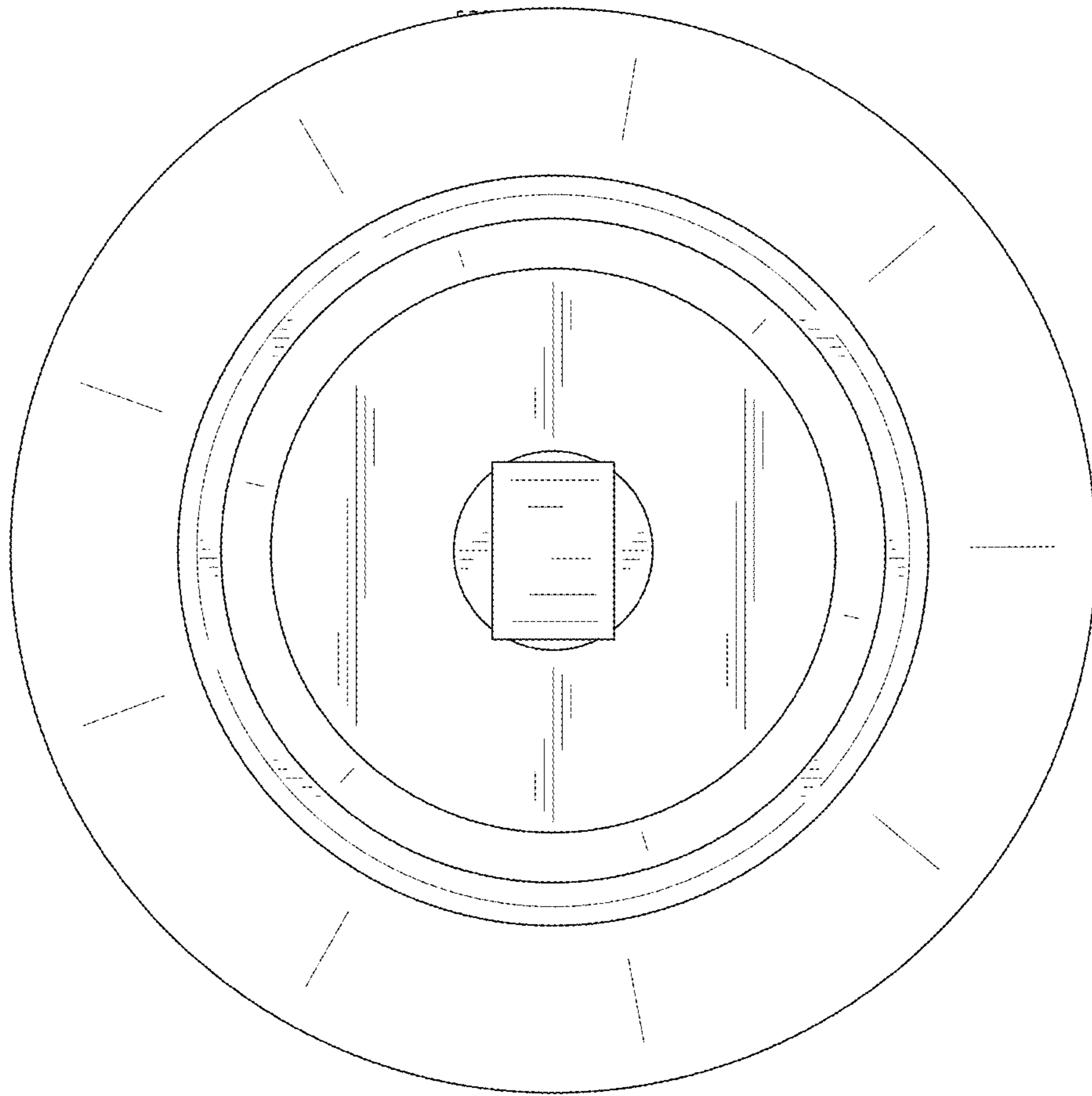


FIG. 7

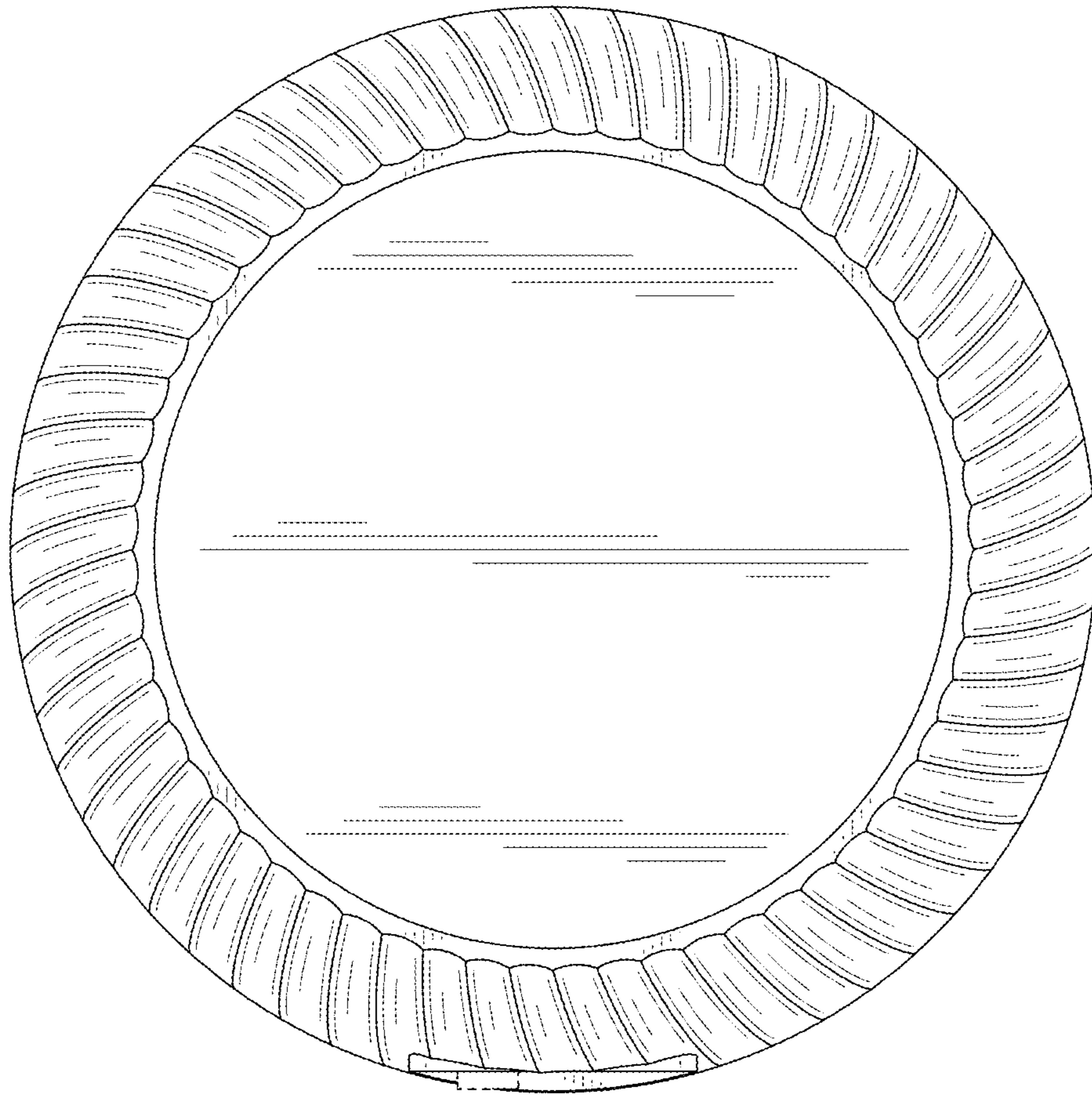


FIG. 8