

US00D966587S

(12) **United States Design Patent** (10) **Patent No.:** **US D966,587 S**
Turzinski et al. (45) **Date of Patent:** **** Oct. 11, 2022**

(54) **LIGHT BAR FOR MOUNTING TO A VEHICLE**

(71) Applicant: **Tyri International, Inc.**, Stevens Point, WI (US)

(72) Inventors: **Kenneth Turzinski**, Plover, WI (US);
Todd Kramer, Stevens Point, WI (US)

(73) Assignee: **TYRI International, Inc.**, Stevens Point, WI (US)

(**) Term: **15 Years**

(21) Appl. No.: **29/726,599**

(22) Filed: **Mar. 4, 2020**

(51) **LOC (13) Cl.** **26-06**

(52) **U.S. Cl.**
USPC **D26/31**

(58) **Field of Classification Search**
USPC D26/28-36, 139
CPC F21S 48/00; F21S 48/10; F21S 48/115;
F21S 48/225; F21S 48/1233; F21S 48/1266; F21S 48/1388; F21S 48/2268;
F21V 5/00; F21V 21/04; F21V 29/004;
B60Q 9/13; B60Q 9/135; B60Q 9/1375;
F21W 2102/17; F21W 2103/00; F21W 2103/35; F21W 2103/55; F21W 2107/13;
F21W 2107/17

See application file for complete search history.

(56) **References Cited**

U.S. PATENT DOCUMENTS

5,845,983 A	12/1998	Schmidt	
D499,198 S *	11/2004	Cowan	D26/31
D656,258 S *	3/2012	Georgitsis	F21V 29/763
			D26/31
D840,573 S *	2/2019	Wymore	D26/31
10,493,905 B2	12/2019	Wilkins	

FOREIGN PATENT DOCUMENTS

EP 1813476 8/2007

* cited by examiner

Primary Examiner — Marcus A Jackson

(74) *Attorney, Agent, or Firm* — Boyle Fredrickson, S.C.

(57) **CLAIM**

The ornamental design of a light bar for mounting to a vehicle, as shown and described.

DESCRIPTION

FIG. 1 is an isometric view of a light bar for mounting to a vehicle, wherein the portions in phantom form no part of the claimed design;

FIG. 2 is a front elevation view thereof;

FIG. 3 is a rear elevation view thereof;

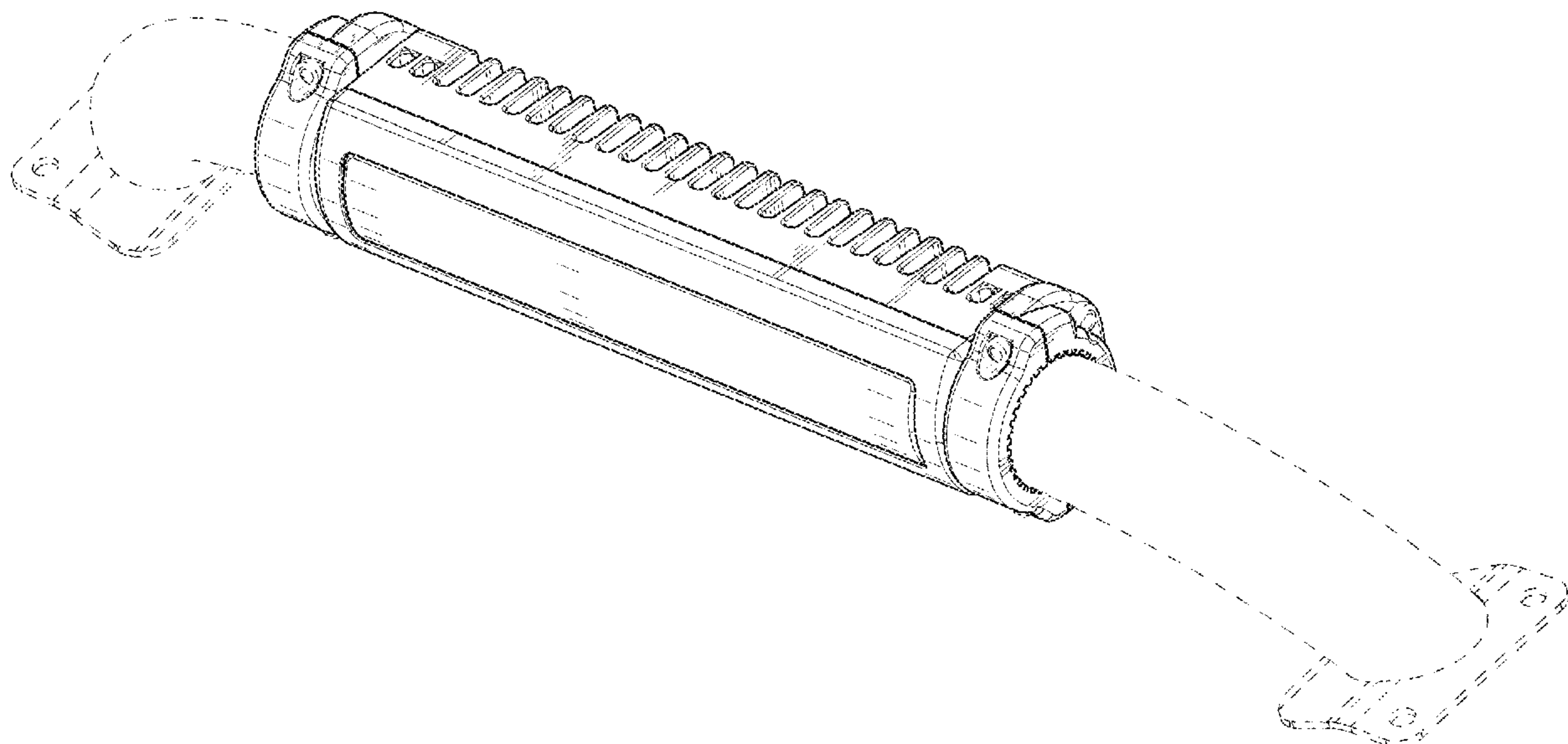
FIG. 4 is a right side elevation view thereof;

FIG. 5 is a left side elevation view thereof;

FIG. 6 is a top plan view thereof; and,

FIG. 7 is a bottom plan view thereof.

1 Claim, 6 Drawing Sheets



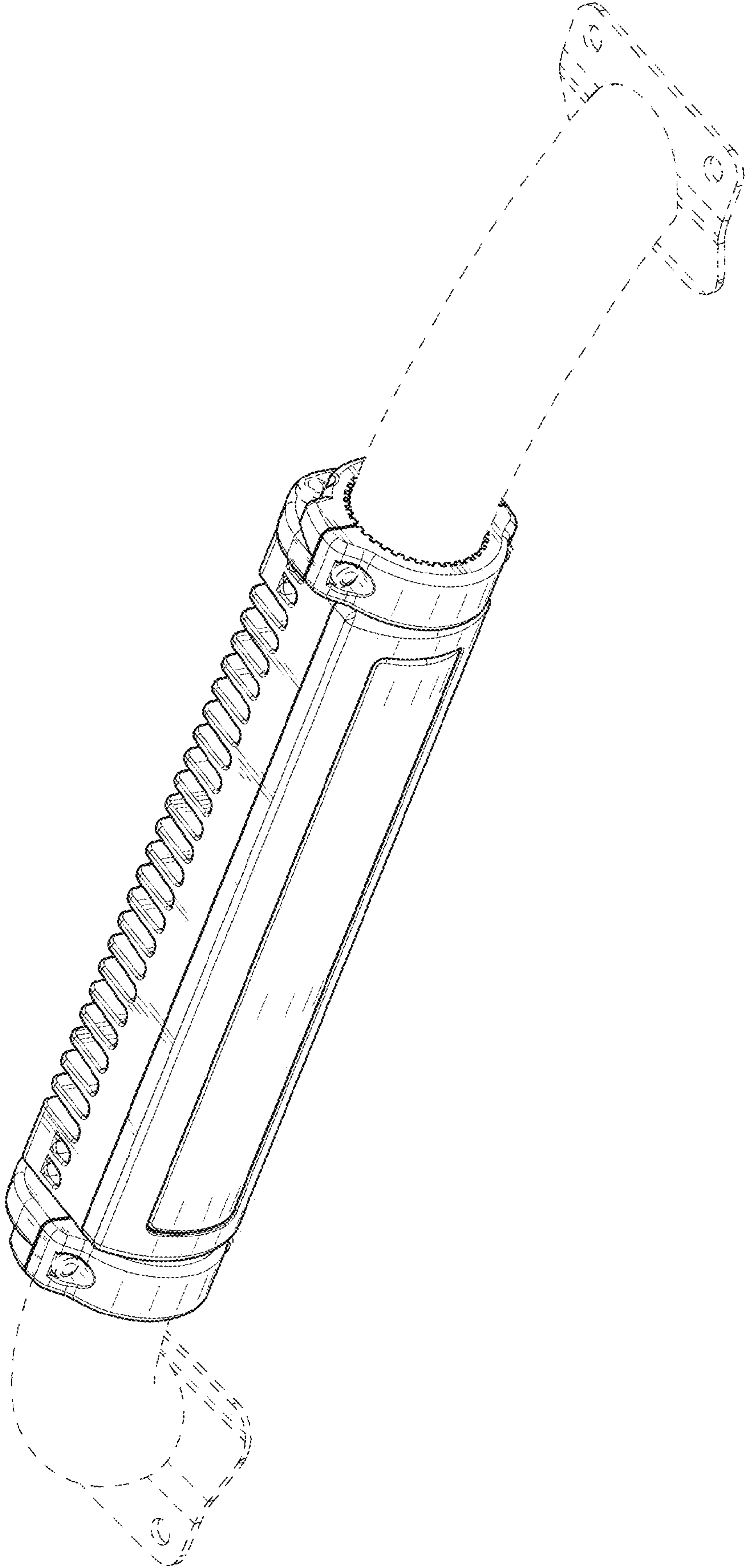


FIG. 1

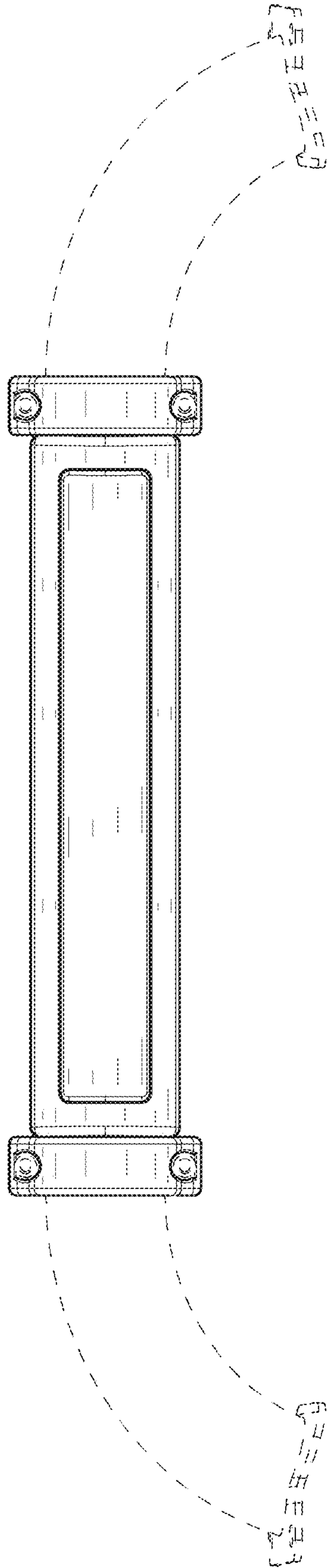


FIG. 2

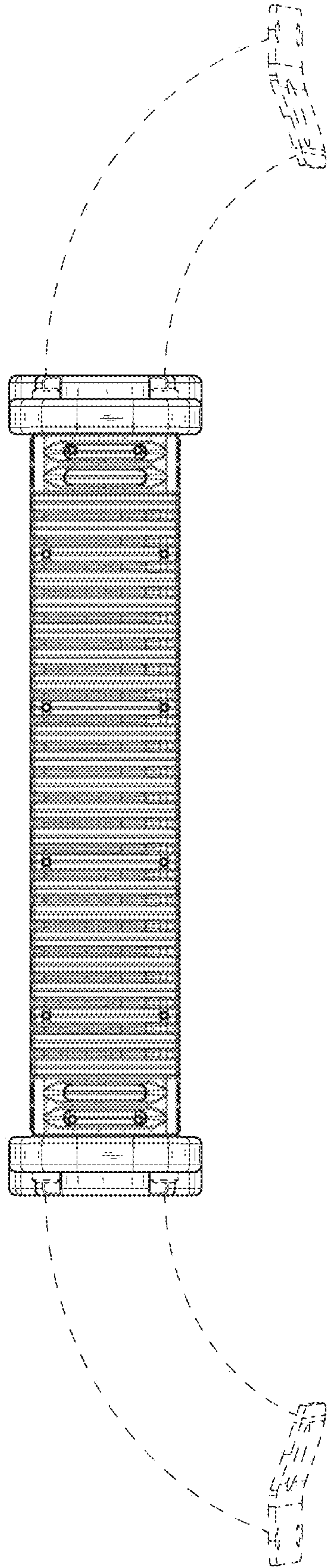


FIG. 3

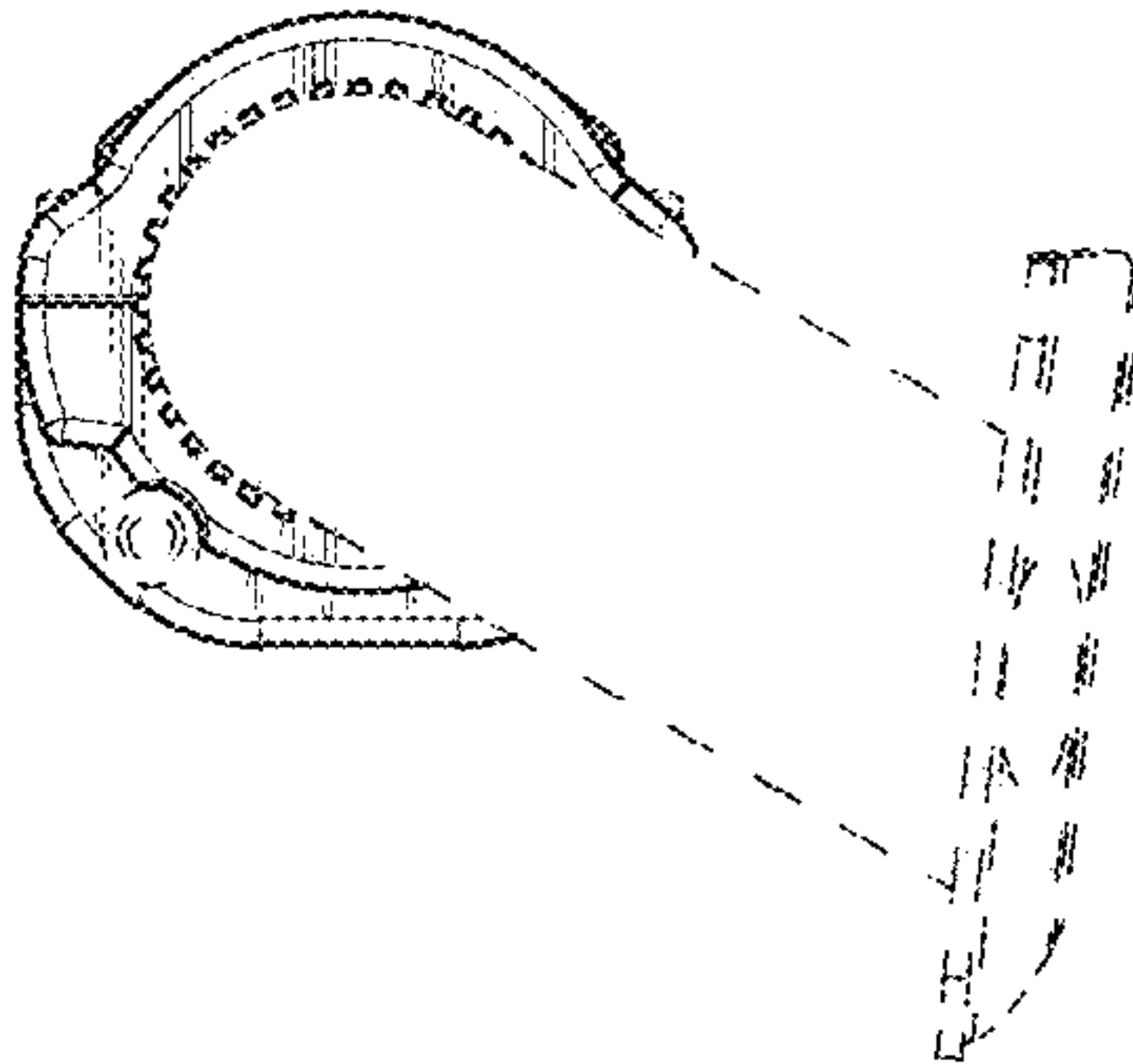


FIG. 5

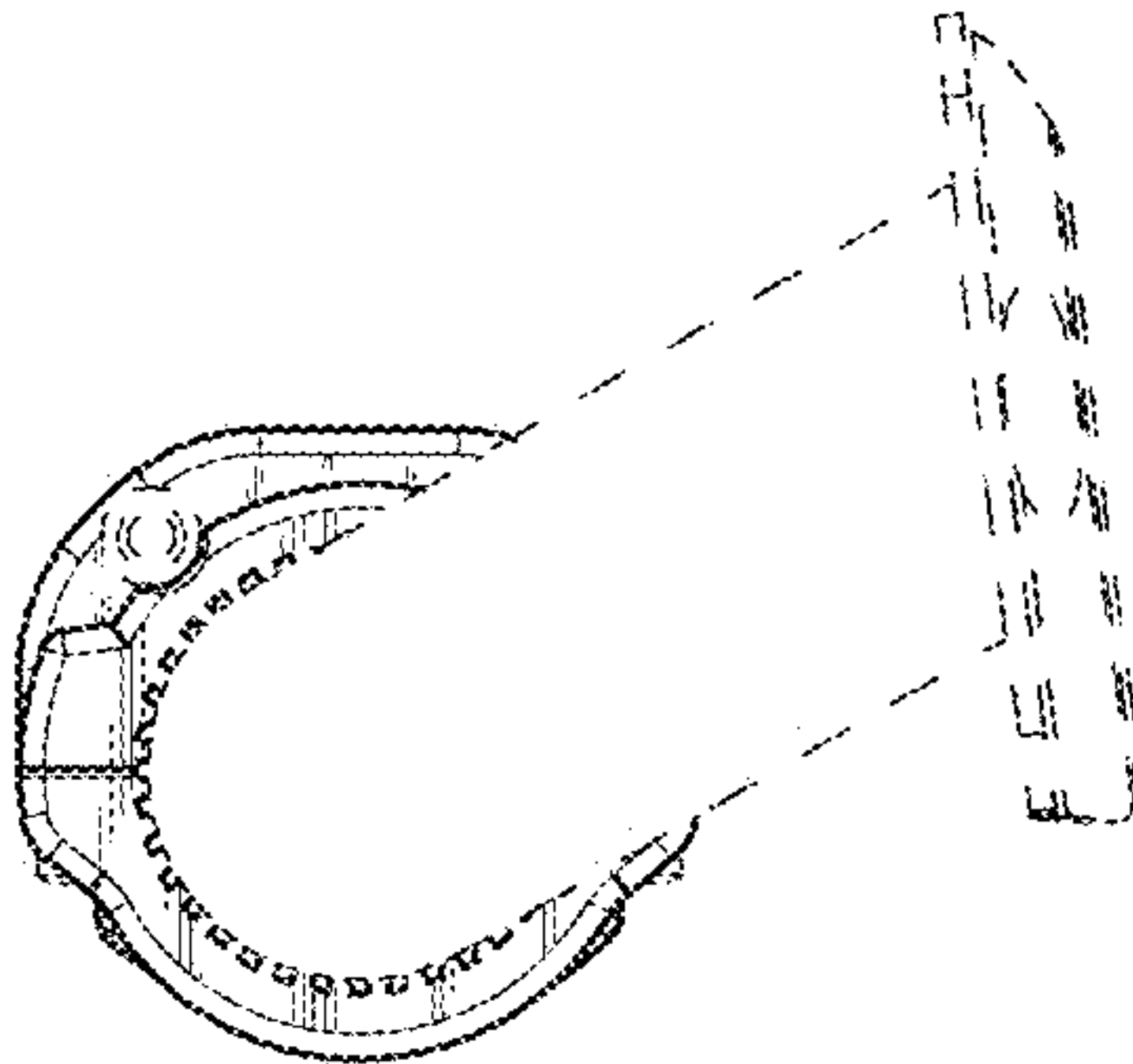


FIG. 4

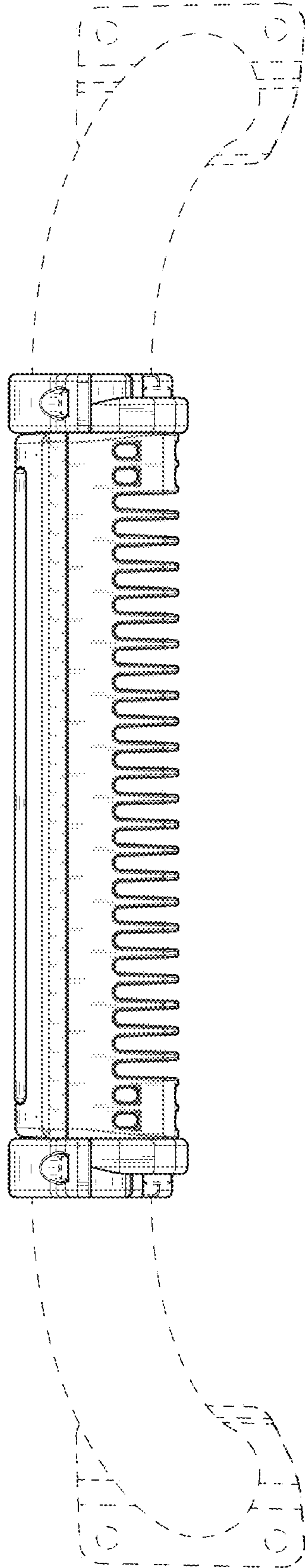


FIG. 6

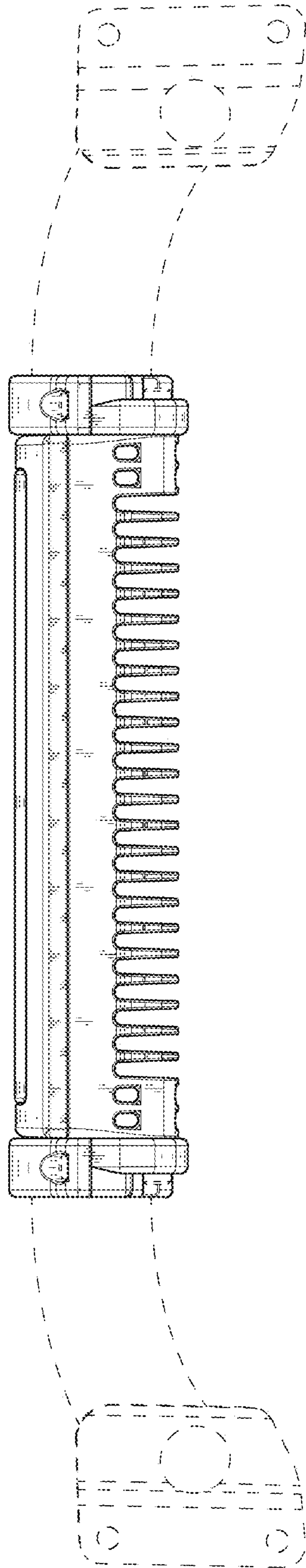


FIG. 7