

US00D966581S

(12) **United States Design Patent** (10) **Patent No.:** **US D966,581 S**  
**Mueller-Stolz** (45) **Date of Patent:** **\*\* Oct. 11, 2022**

(54) **HEADLIGHT FOR A VEHICLE**  
(71) Applicant: **Bayerische Motoren Werke Aktiengesellschaft, Munich (DE)**  
(72) Inventor: **Dirk Mueller-Stolz, Munich (DE)**  
(73) Assignee: **Bayerische Motoren Werke Aktiengesellschaft, Munich (DE)**

D723,724 S 3/2015 Johnson  
D742,046 S \* 10/2015 Hwang ..... D26/28  
D755,421 S \* 5/2016 Alemany ..... D26/28  
D767,176 S 9/2016 Faghihzaden  
D787,720 S \* 5/2017 Lai ..... D26/28  
D787,721 S \* 5/2017 Lai ..... D26/28  
D797,324 S \* 9/2017 Lai ..... D26/28  
D828,590 S 9/2018 Hannemann

(\*\*) Term: **15 Years**  
(21) Appl. No.: **29/765,992**  
(22) Filed: **Jan. 13, 2021**

FOREIGN PATENT DOCUMENTS  
WO WO DM/076869 3/2012  
\* cited by examiner  
*Primary Examiner* — Marcus A Jackson  
(74) *Attorney, Agent, or Firm* — Crowell & Moring LLP

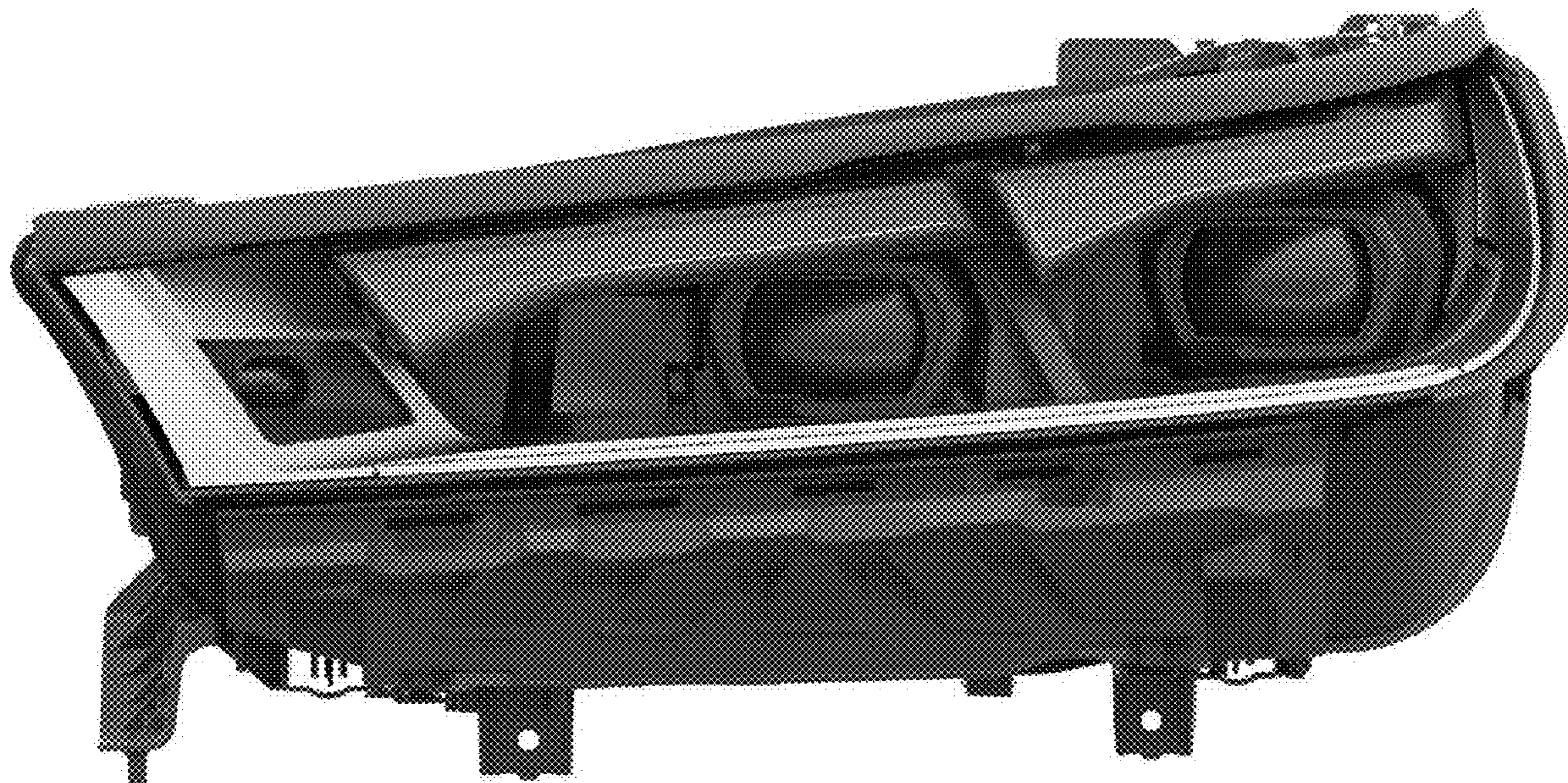
(30) **Foreign Application Priority Data**  
Jul. 21, 2020 (DE) ..... 402020100679.3  
(51) **LOC (13) Cl.** ..... **26-06**  
(52) **U.S. Cl.**  
USPC ..... **D26/28**  
(58) **Field of Classification Search**  
USPC ..... D26/28-36, 139  
CPC ..... F21S 48/00; F21S 48/10; F21S 48/115;  
F21S 48/225; F21S 48/1233; F21S  
48/1266; F21S 48/1388; F21S 48/2268;  
F21V 5/00; F21V 21/04; F21V 29/004;  
B60Q 9/13; B60Q 9/135; B60Q 9/1375  
See application file for complete search history.

(57) **CLAIM**  
The ornamental design for a headlight for a vehicle, as shown and described.

(56) **References Cited**  
U.S. PATENT DOCUMENTS  
D605,792 S \* 12/2009 Weil ..... D26/28  
D667,153 S 9/2012 Huet

**DESCRIPTION**  
This application contains subject matter related to the following co-pending U.S. design patent application: Application Ser. No. 29/765,991, filed herewith and entitled "Headlight for a Vehicle".  
FIG. 1 is a front view of a headlight for a vehicle according to the design;  
FIG. 2 is a right, front perspective view thereof;  
FIG. 3 is a left, bottom perspective view thereof;  
FIG. 4 is a right side view thereof;  
FIG. 5 is a left side view thereof;  
FIG. 6 is a top view thereof;  
FIG. 7 is a bottom view thereof; and,  
FIG. 8 is a rear view thereof.

**1 Claim, 8 Drawing Sheets**



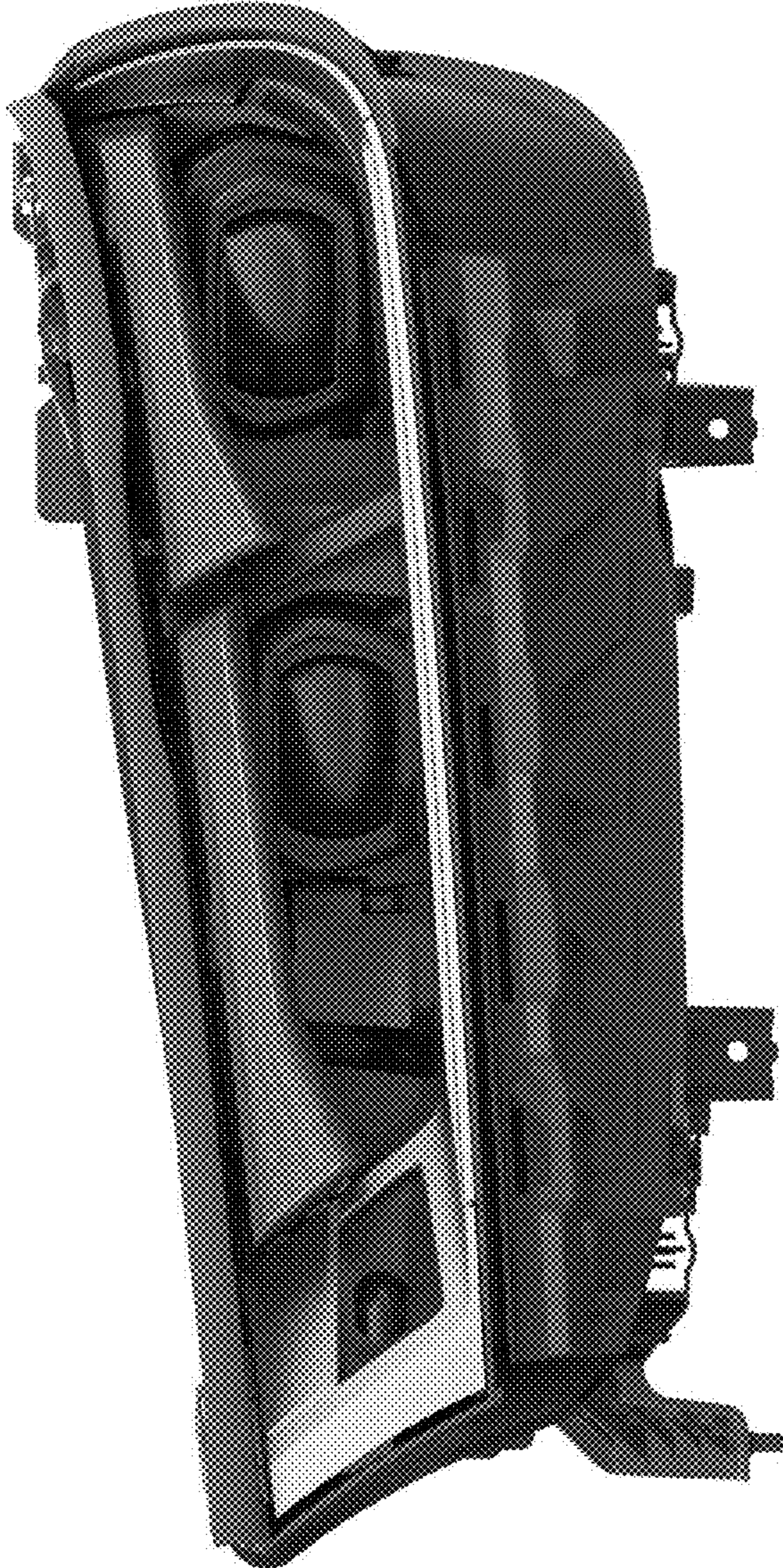


Fig. 1

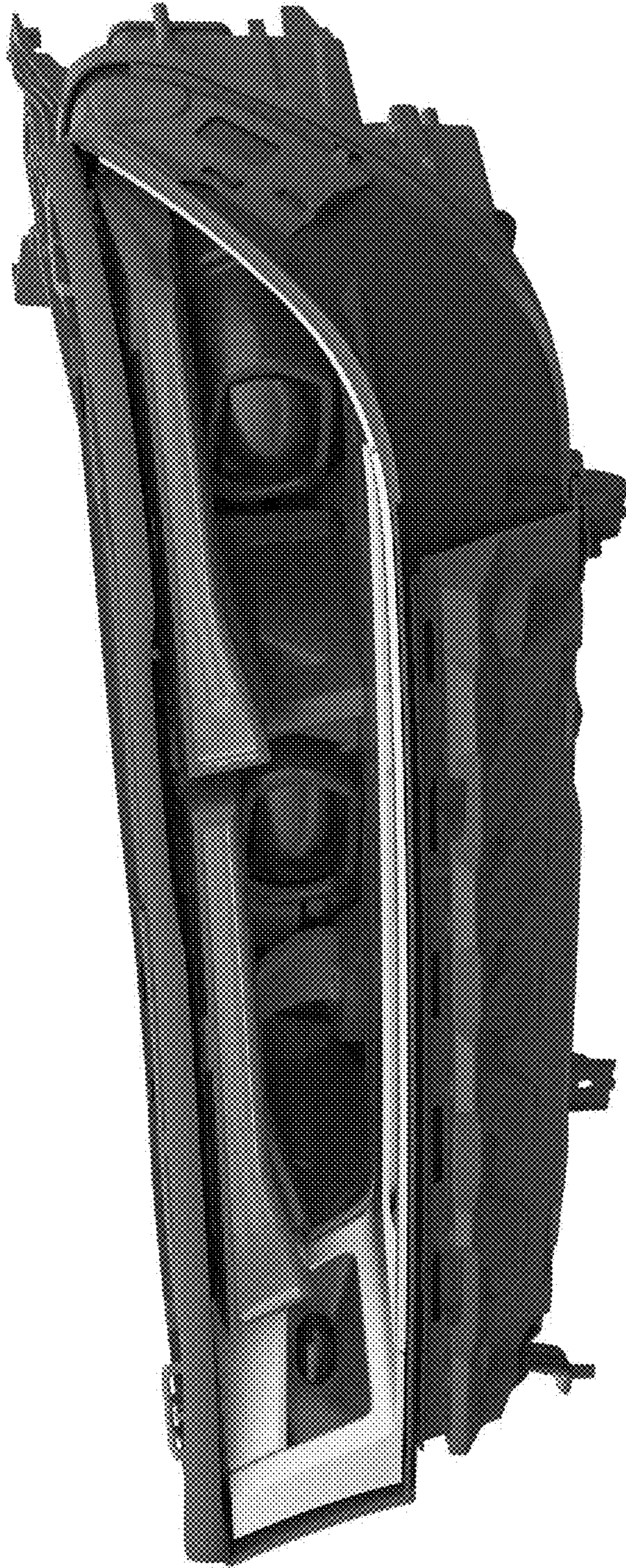


Fig. 2

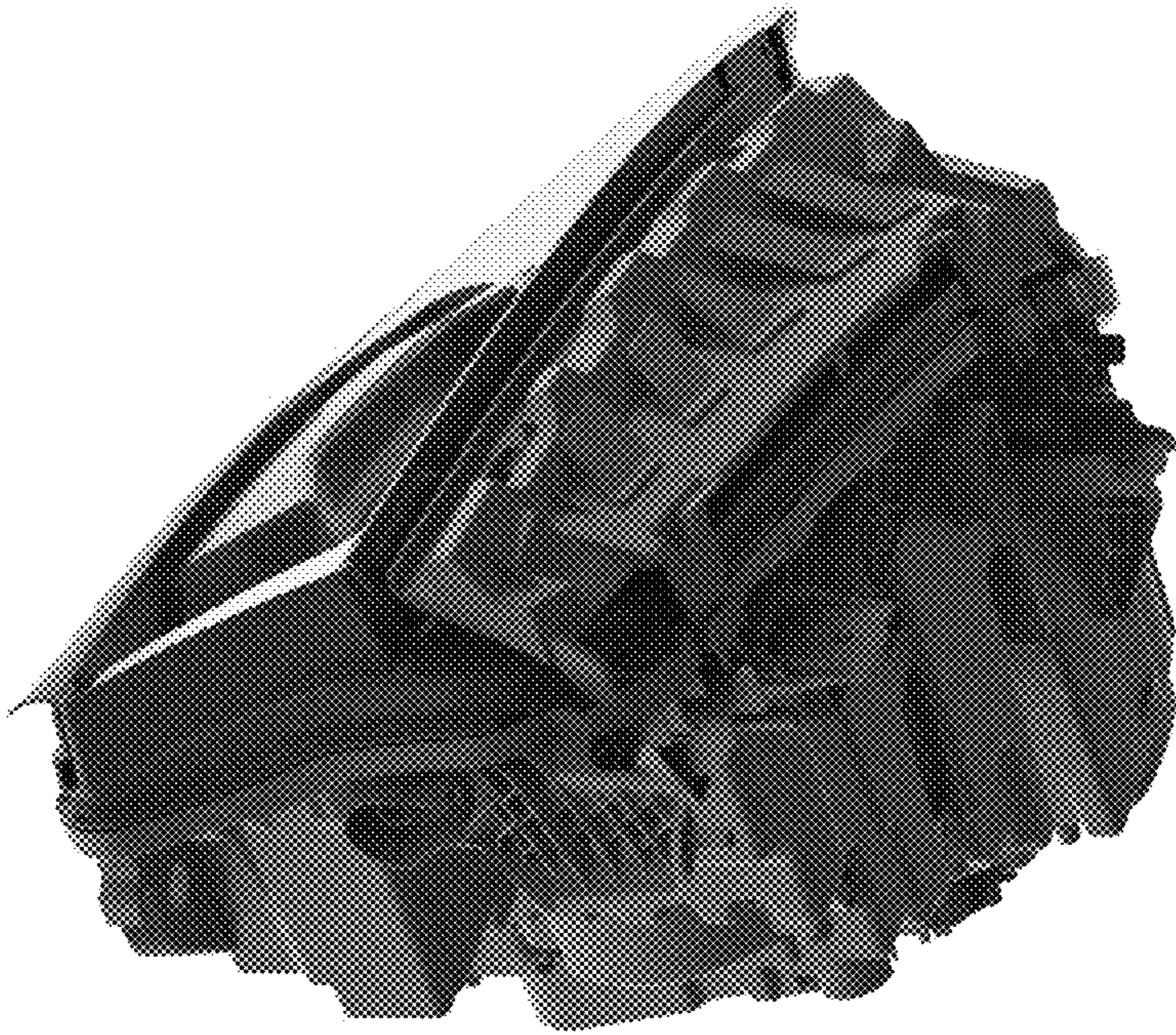


Fig. 3

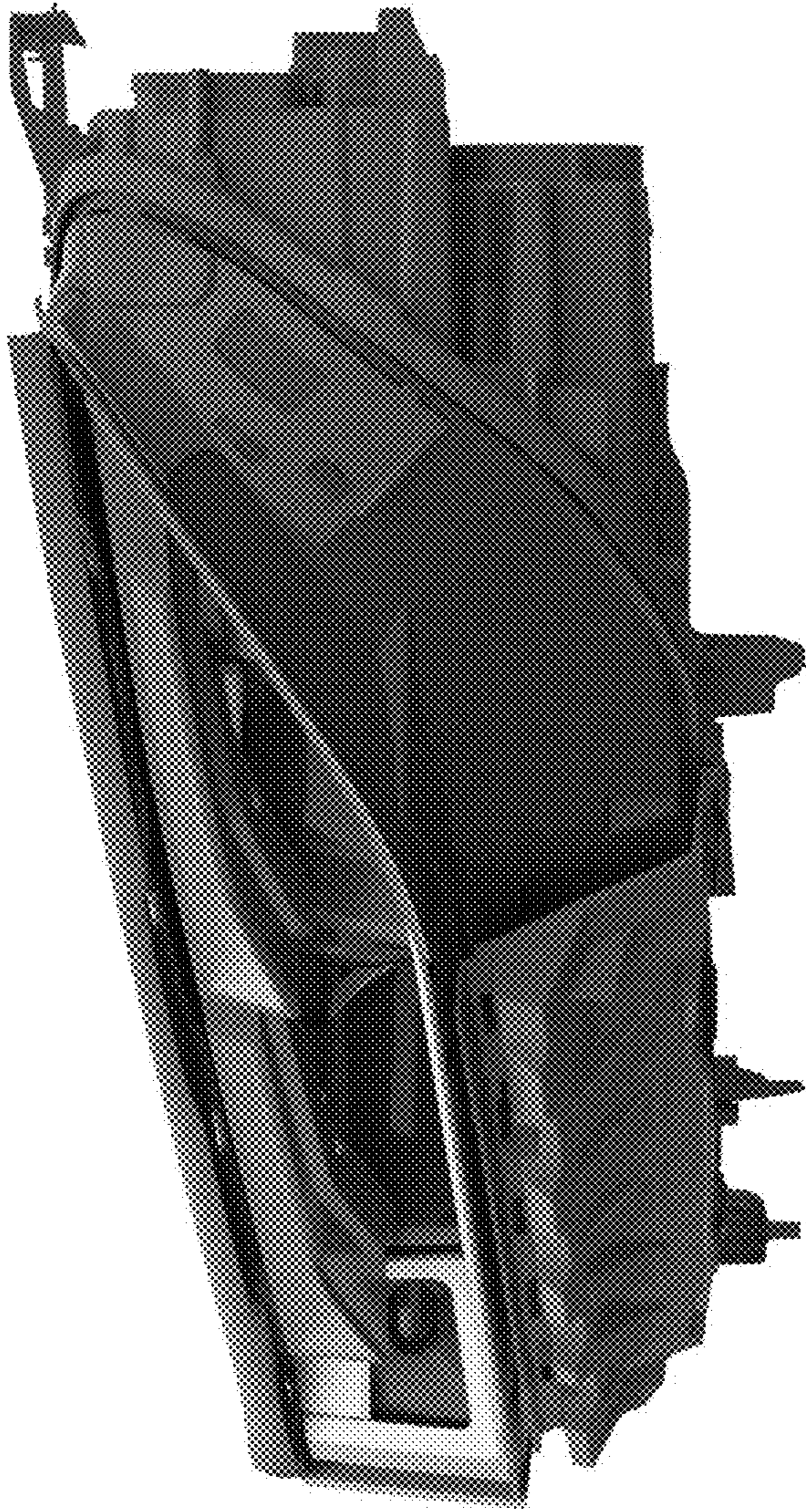


Fig. 4

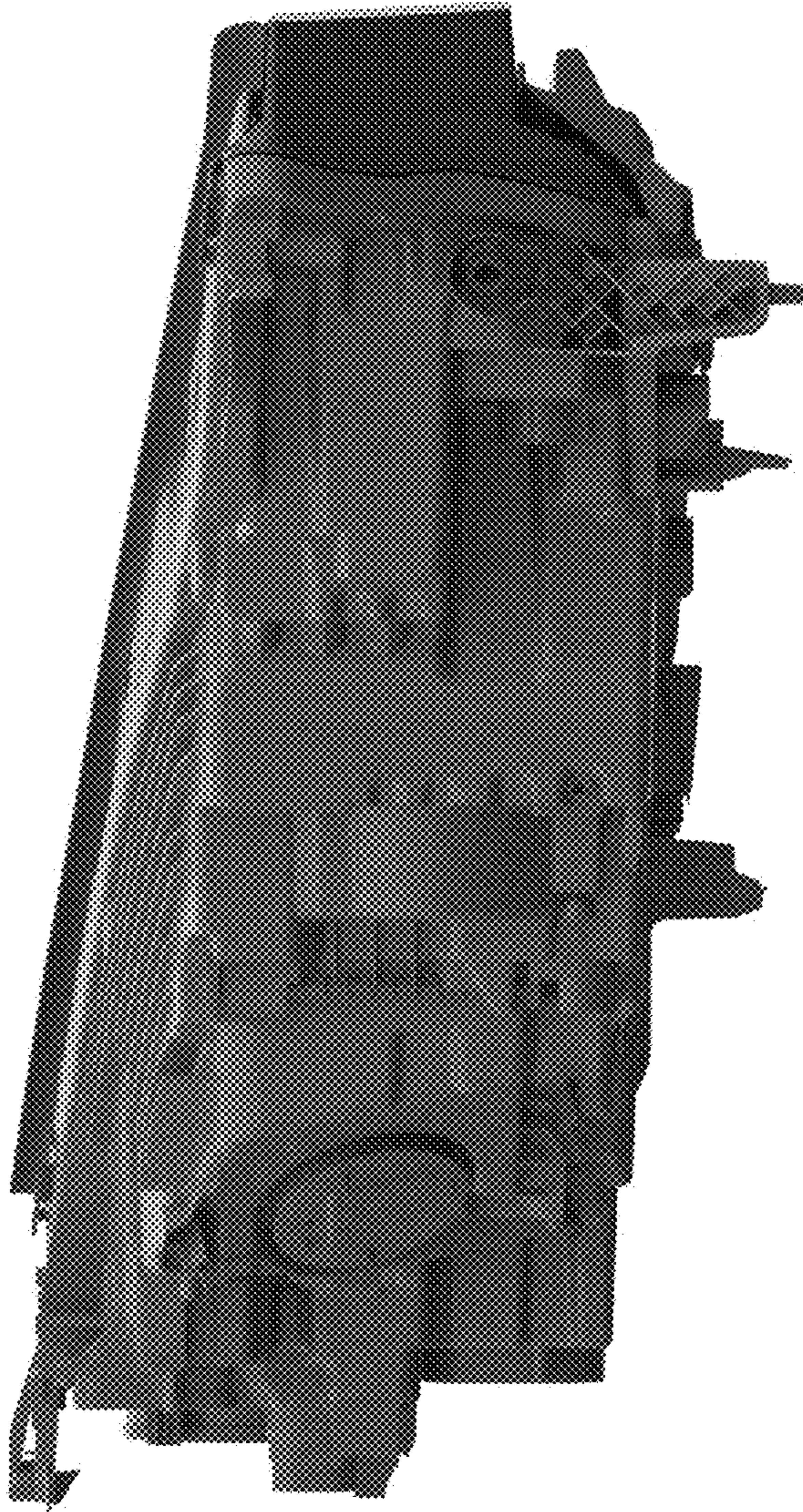


Fig. 5

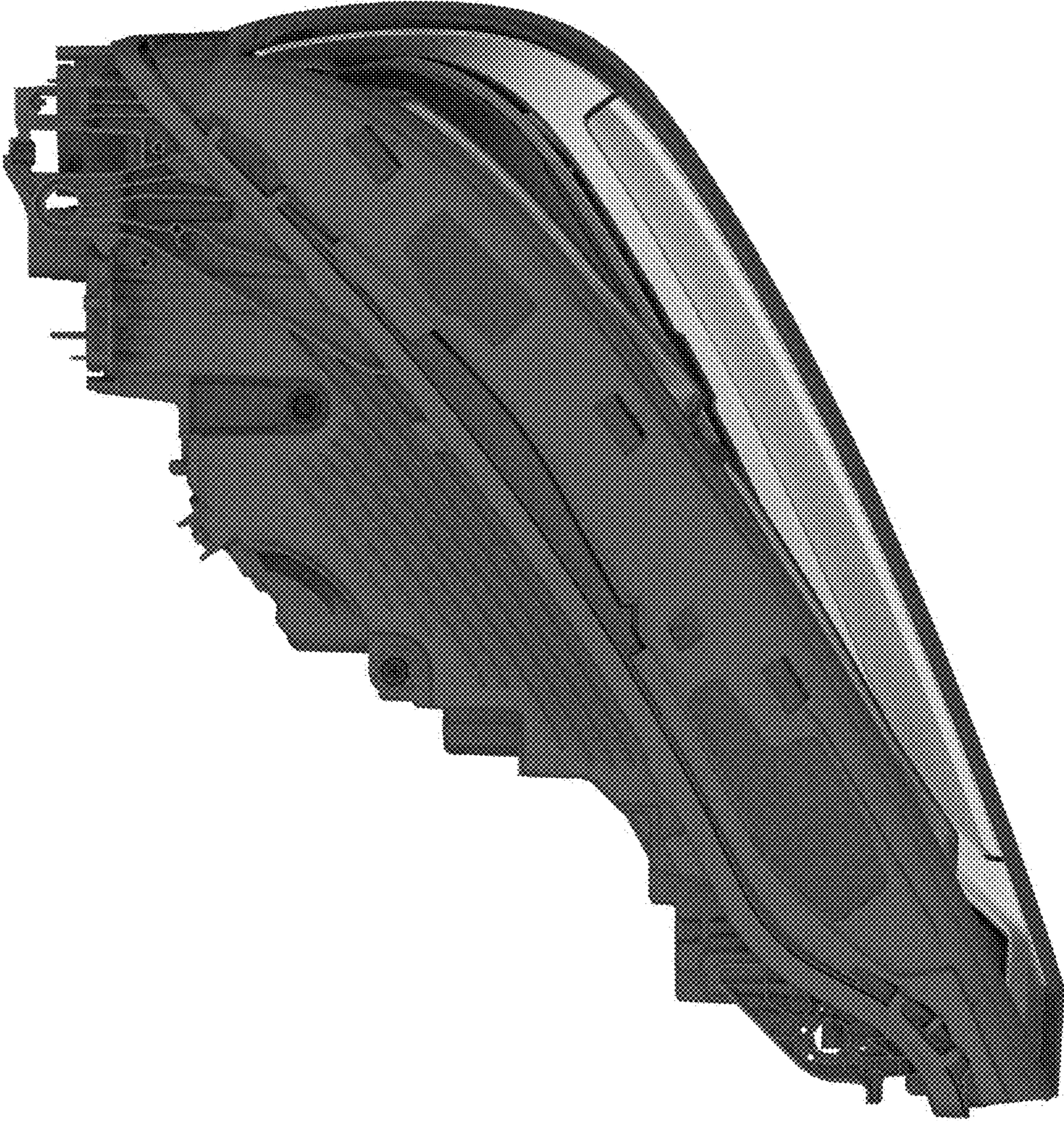


Fig. 6

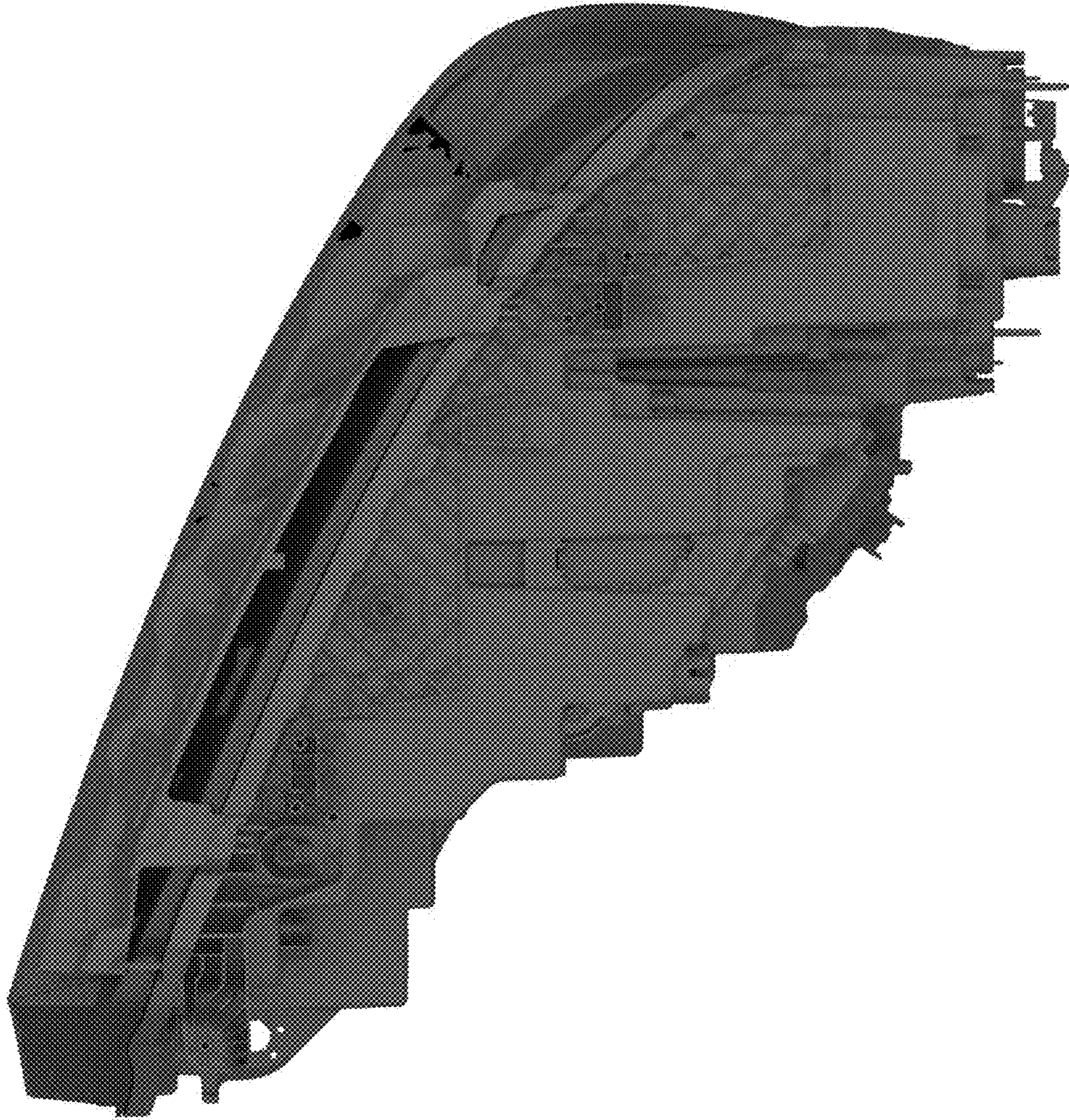


Fig. 7



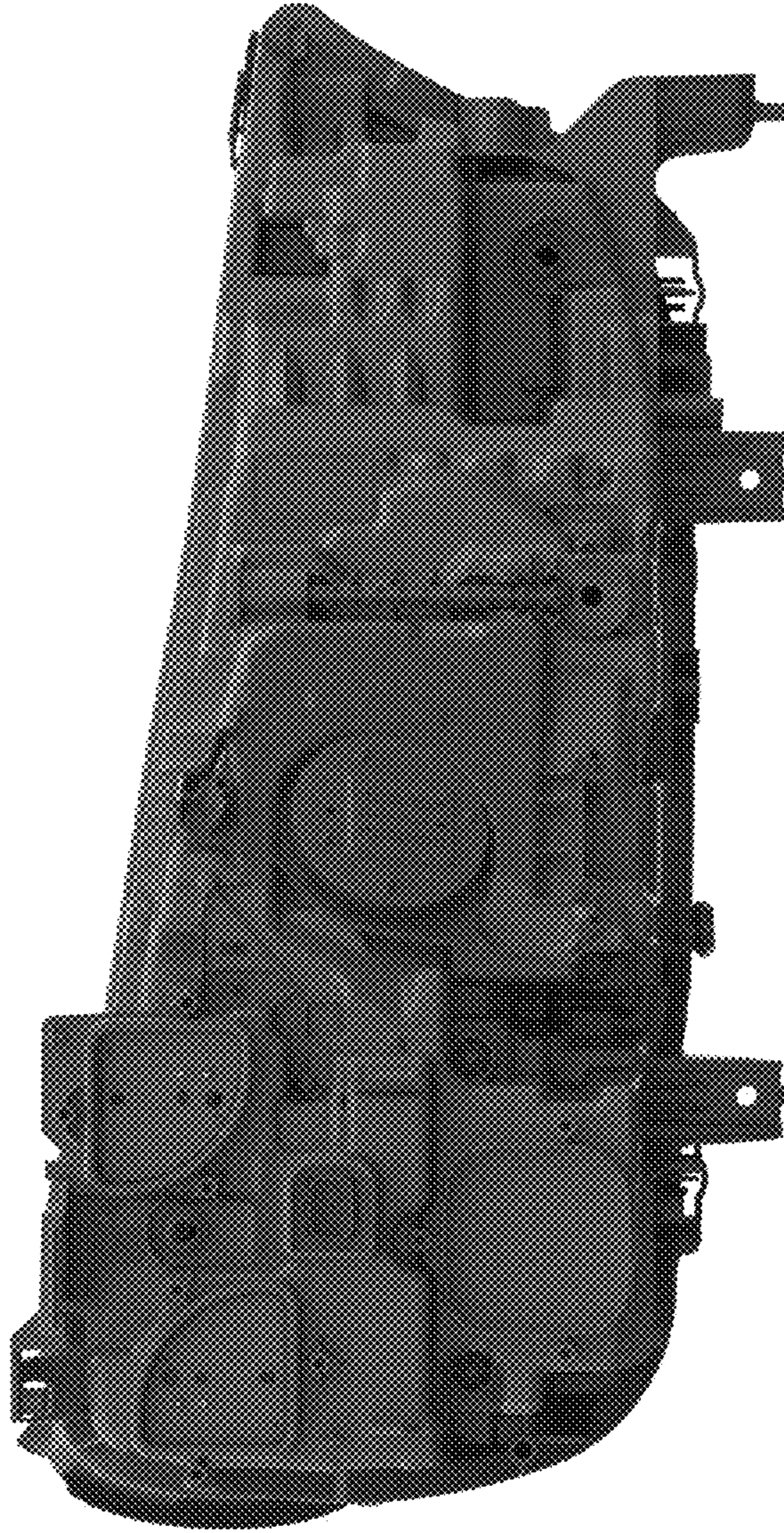


Fig. 8