



US00D966580S

(12) **United States Design Patent** (10) **Patent No.:** **US D966,580 S**
Mueller-Stolz (45) **Date of Patent:** **** Oct. 11, 2022**

(54) **HEADLIGHT FOR A VEHICLE**
(71) Applicant: **Bayerische Motoren Werke Aktiengesellschaft, Munich (DE)**
(72) Inventor: **Dirk Mueller-Stolz, Munich (DE)**
(73) Assignee: **Bayerische Motoren Werke Aktiengesellschaft, Munich (DE)**
(**) Term: **15 Years**

D742,046 S * 10/2015 Hwang D26/28
D755,421 S * 5/2016 Alemany D26/28
D767,176 S 9/2016 Faghihzaden
D787,720 S * 5/2017 Lai D26/28
D787,721 S * 5/2017 Lai D26/28
D797,324 S * 9/2017 Lai D26/28
D828,590 S 9/2018 Hannemann

(21) Appl. No.: **29/765,991**
(22) Filed: **Jan. 13, 2021**
(30) **Foreign Application Priority Data**

FOREIGN PATENT DOCUMENTS

WO WO DM/076869 3/2012
* cited by examiner

Jul. 21, 2020 (DE) 402020100679.3
(51) **LOC (13) Cl.** **26-06**
(52) **U.S. Cl.**
USPC **D26/28**
(58) **Field of Classification Search**
USPC D26/28-36, 139
CPC F21S 48/00; F21S 48/10; F21S 48/115;
F21S 48/225; F21S 48/1233; F21S
48/1266; F21S 48/1388; F21S 48/2268;
F21V 5/00; F21V 21/04; F21V 29/004;
B60Q 9/13; B60Q 9/135; B60Q 9/1375
See application file for complete search history.

Primary Examiner — Marcus A Jackson
(74) *Attorney, Agent, or Firm* — Crowell & Moring LLP

(57) **CLAIM**

The ornamental design for a headlight for a vehicle, as shown and described.

DESCRIPTION

This application contains subject matter related to the following co-pending U.S. design patent applications: application Ser. No. 29/765,980, filed herewith and entitled "Vehicle, Toy, and/or Replicas Thereof"; and application Ser. No. 29/765,992, filed herewith and entitled "Headlight for a Vehicle".

FIG. 1 is a front view of a headlight for a vehicle according to the design;

FIG. 2 is a right, front perspective view thereof;

FIG. 3 is a left, bottom perspective view thereof;

FIG. 4 is a right side view thereof;

FIG. 5 is a left side view thereof;

FIG. 6 is a top view thereof;

FIG. 7 is a bottom view thereof; and,

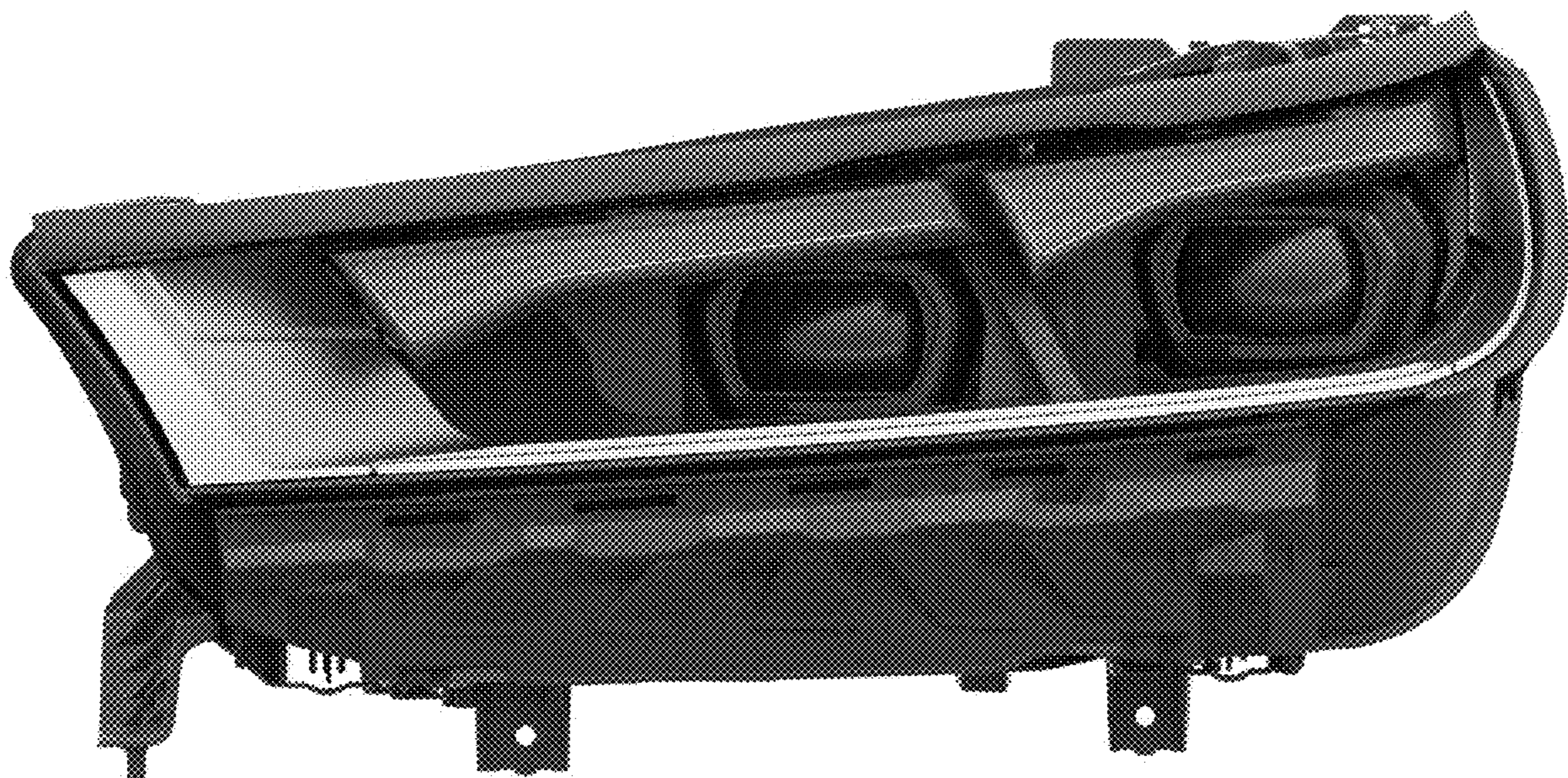
FIG. 8 is a rear view thereof.

(56) **References Cited**

U.S. PATENT DOCUMENTS

D605,792 S * 12/2009 Weil D26/28
D667,153 S 9/2012 Huet
D723,724 S 3/2015 Johnson

1 Claim, 8 Drawing Sheets



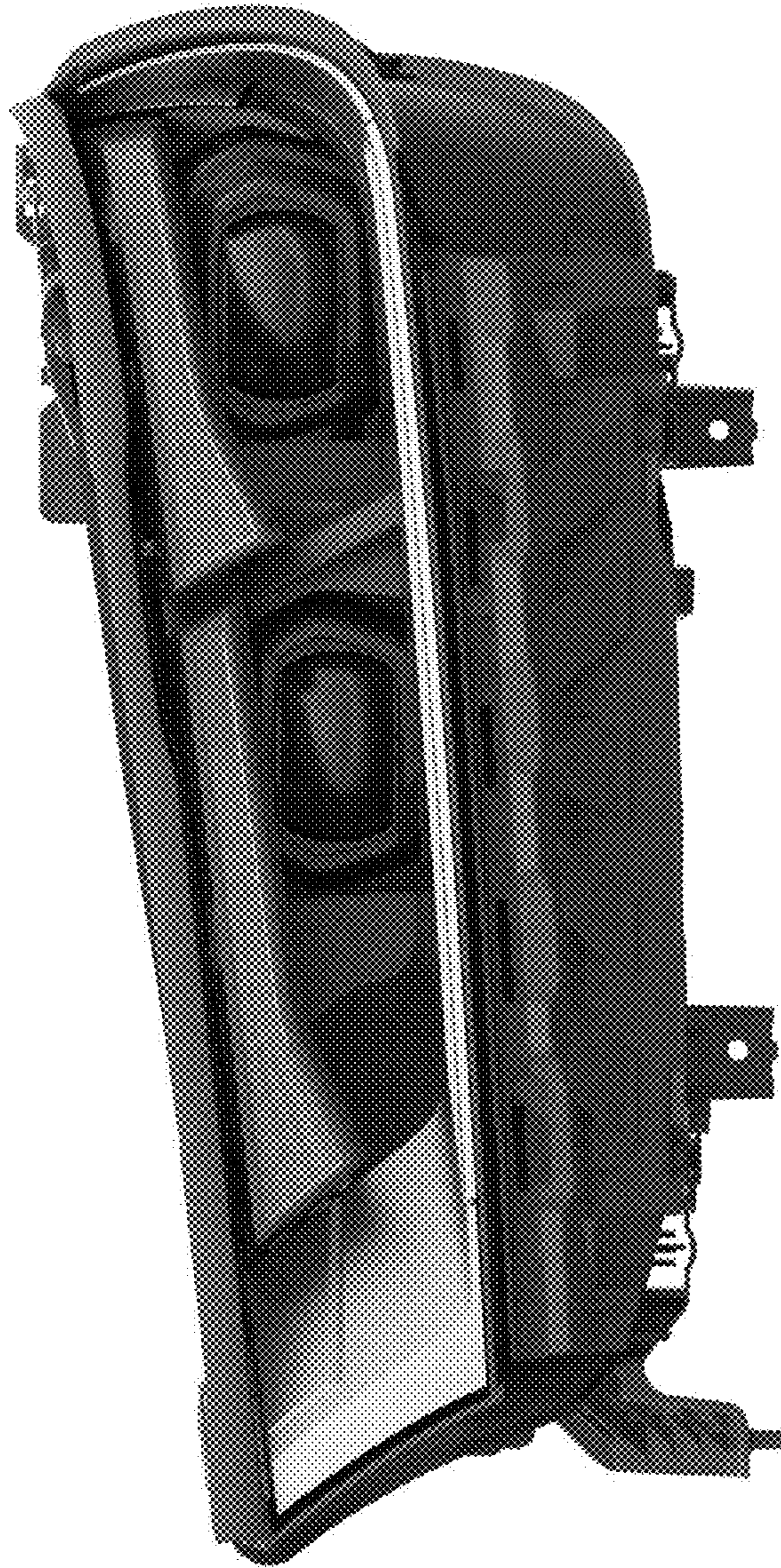


Fig. 1

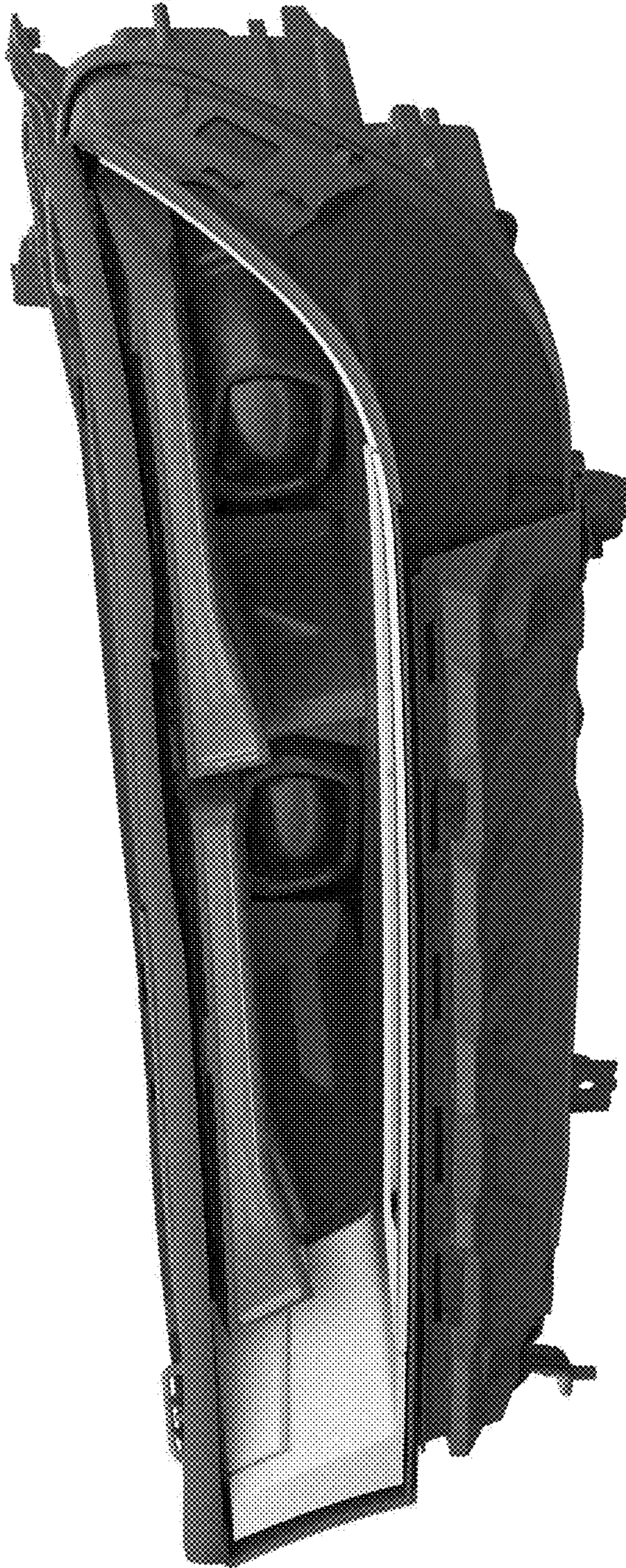


Fig. 2

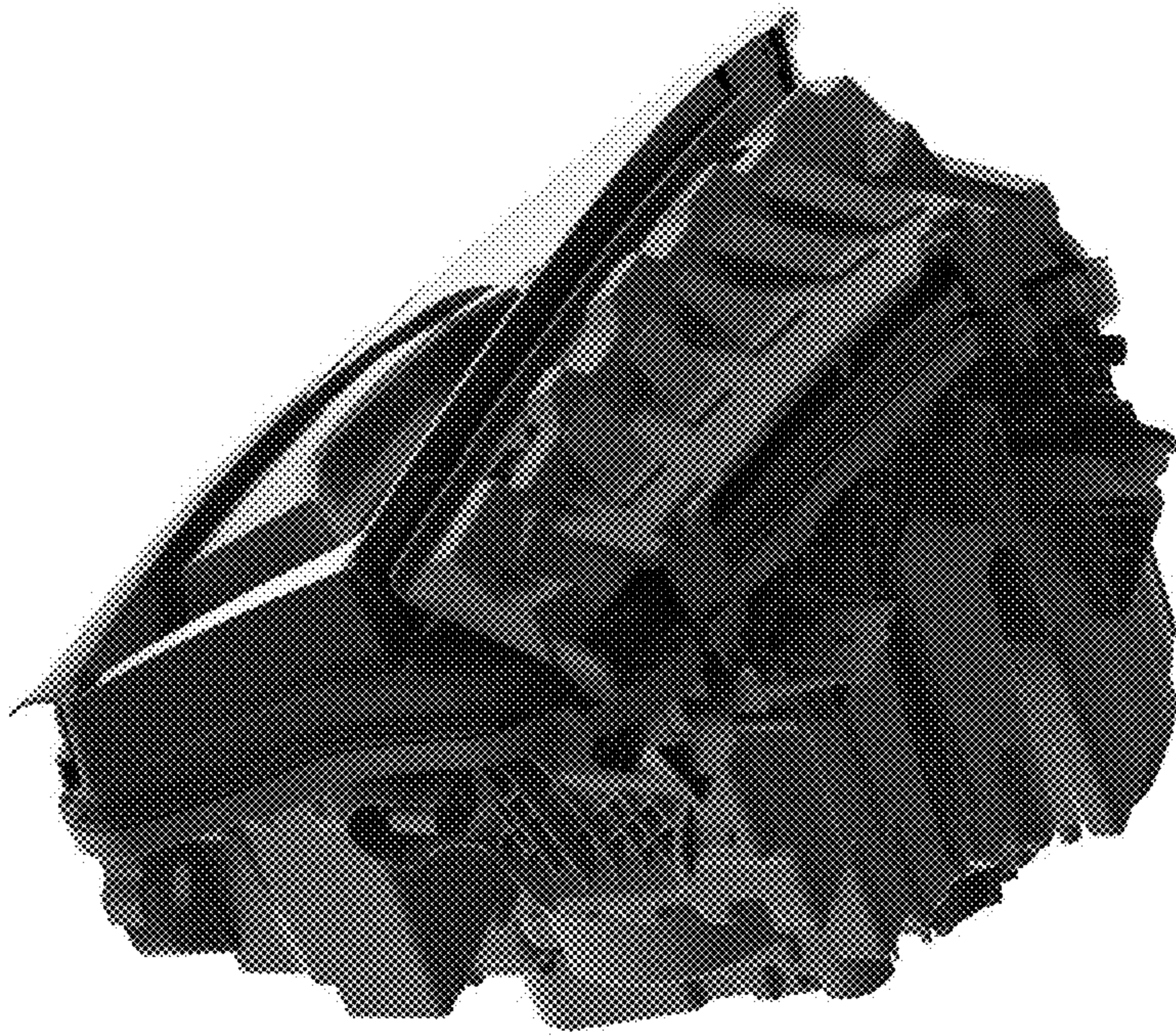


Fig. 3

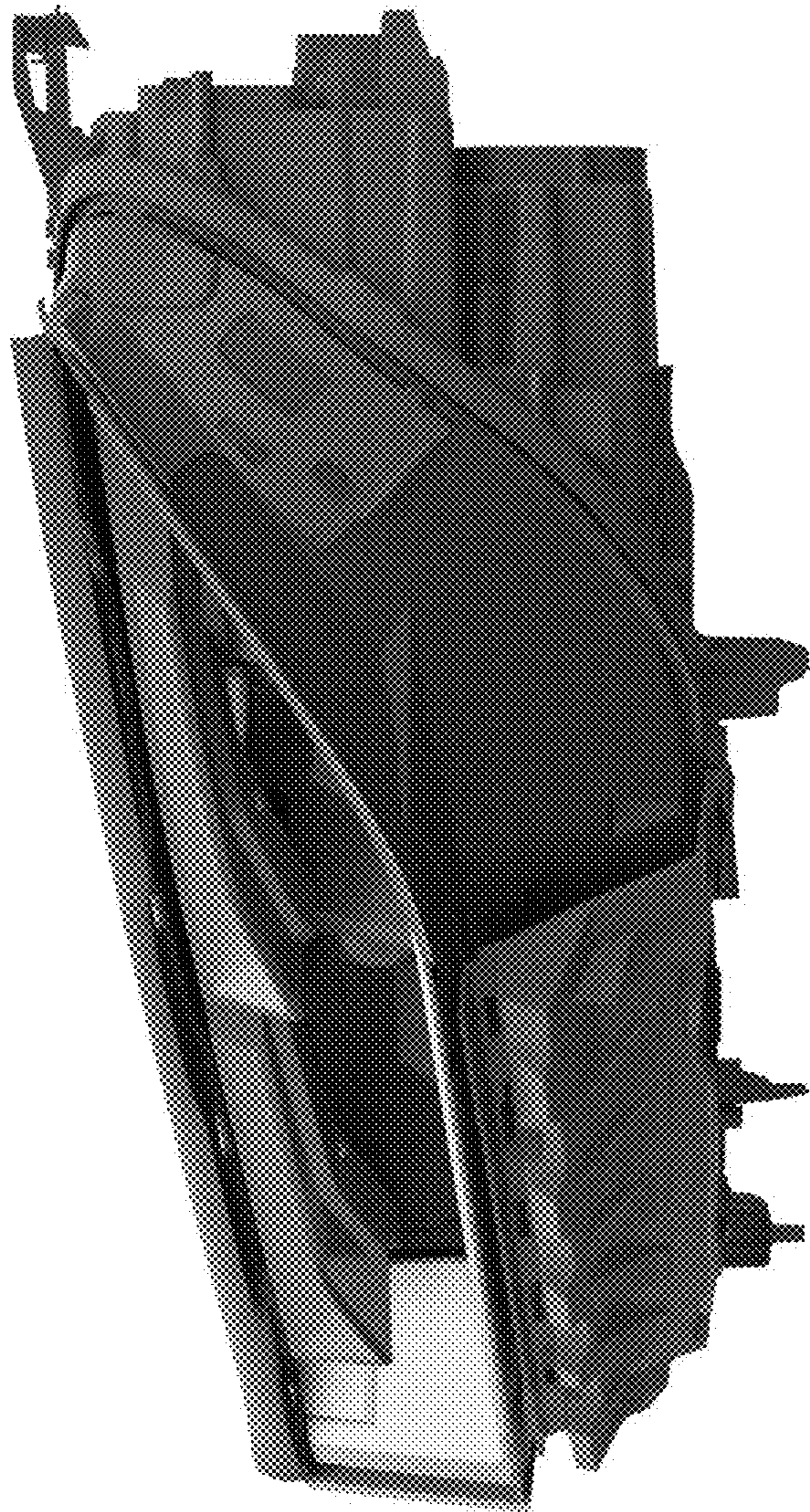


Fig. 4

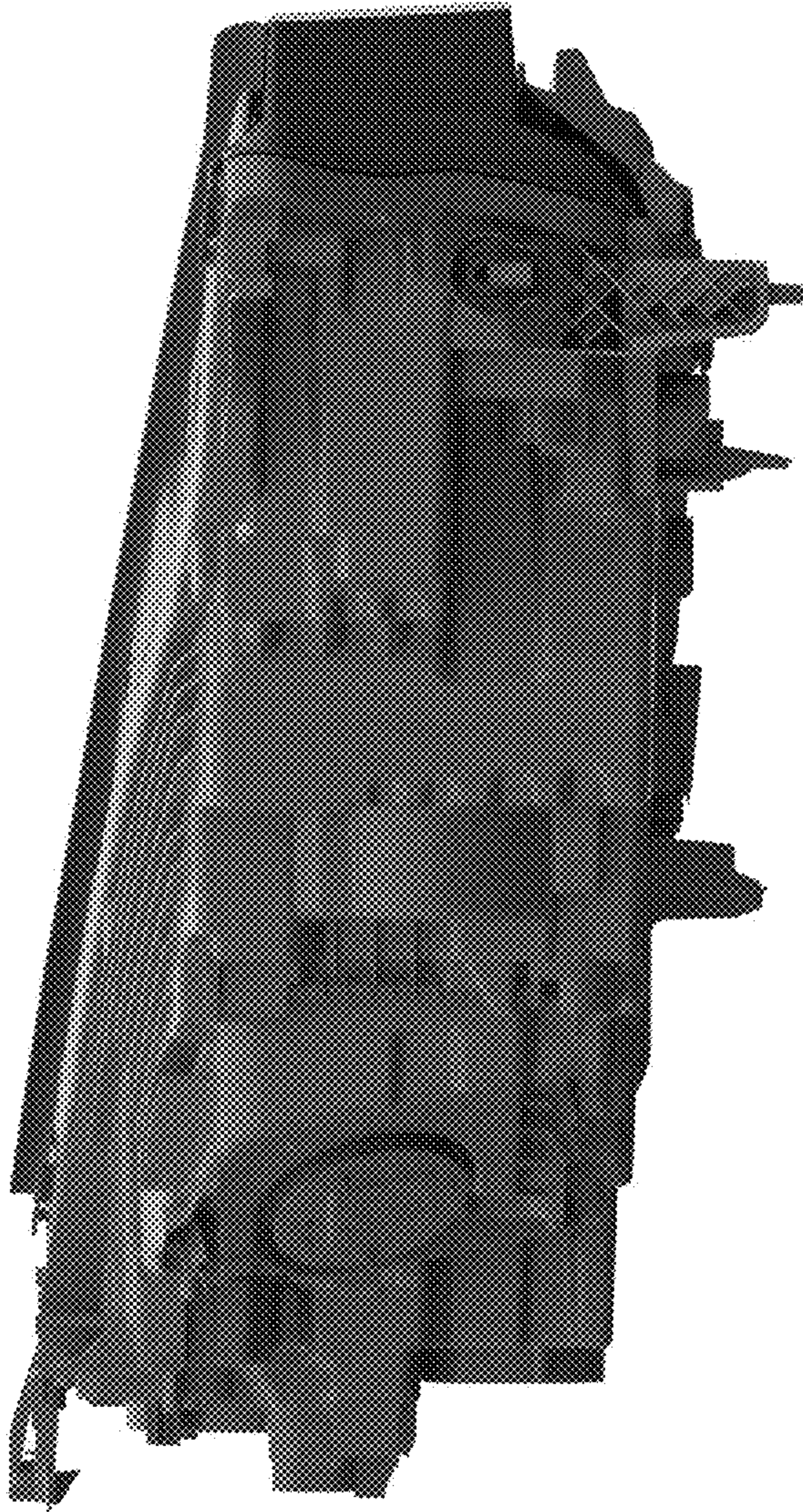


Fig. 5



Fig. 6

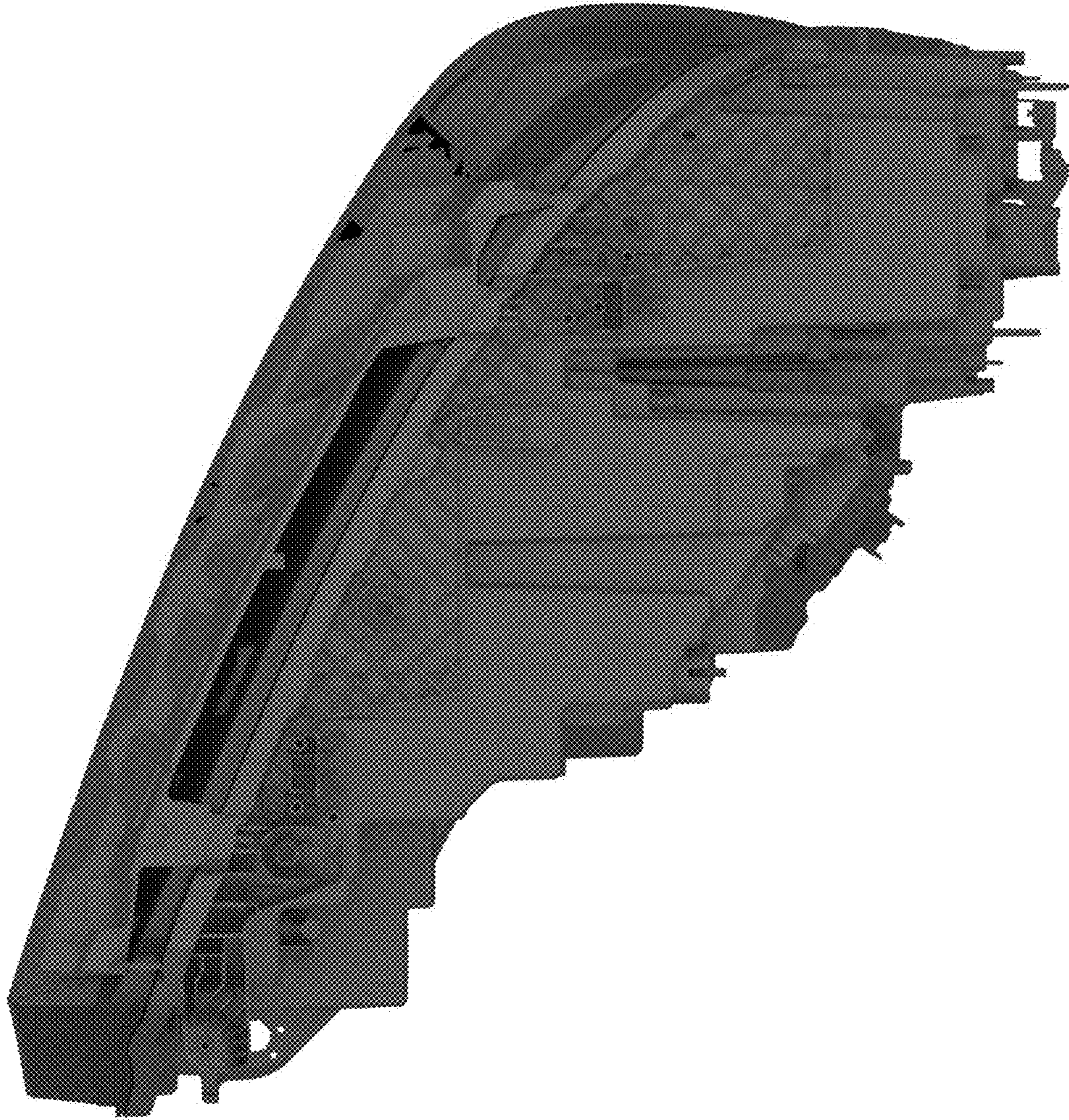


Fig. 7

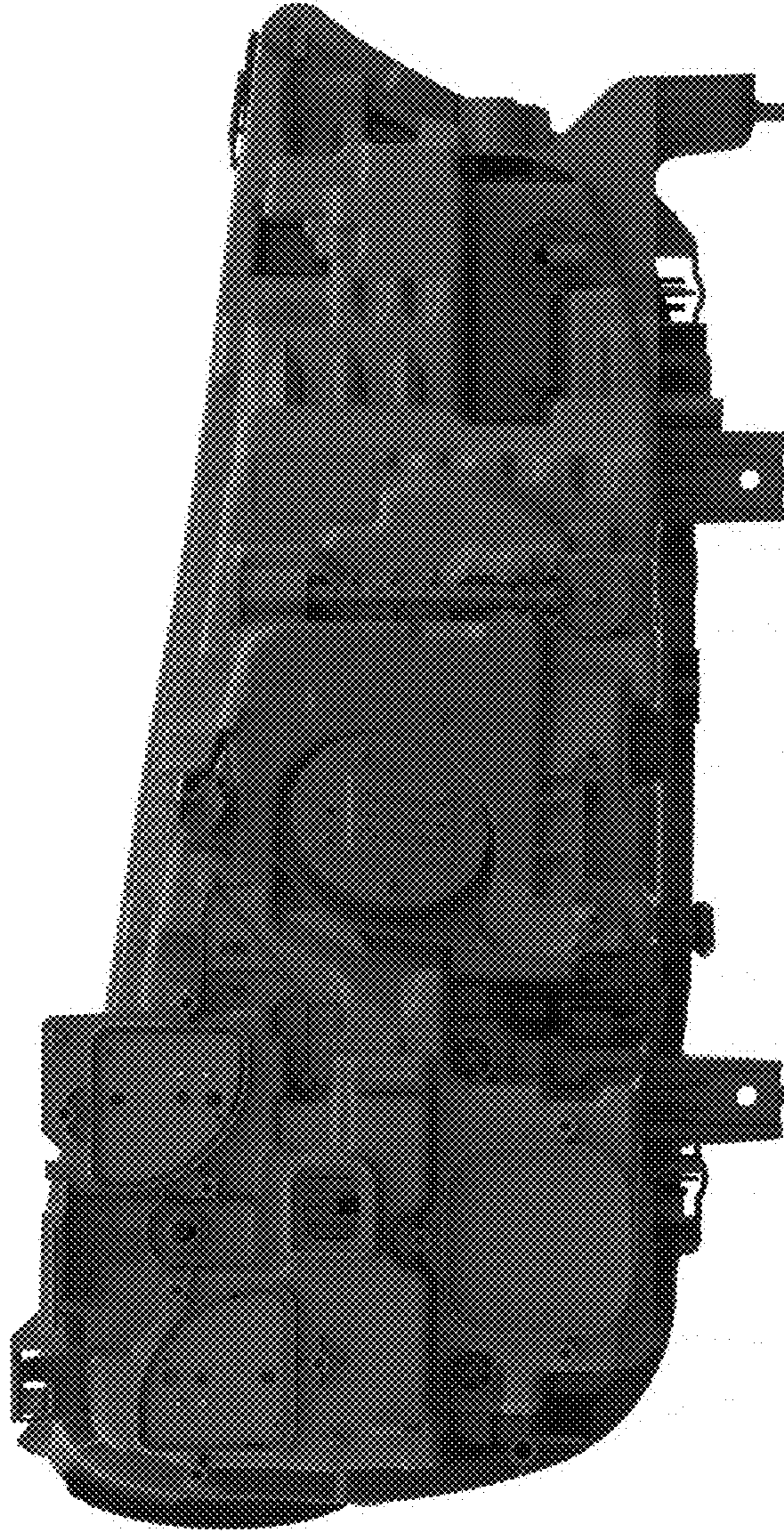


Fig. 8