

US00D966577S

(12) **United States Design Patent** (10) **Patent No.:** **US D966,577 S**  
**Thomas** (45) **Date of Patent:** **\*\* Oct. 11, 2022**

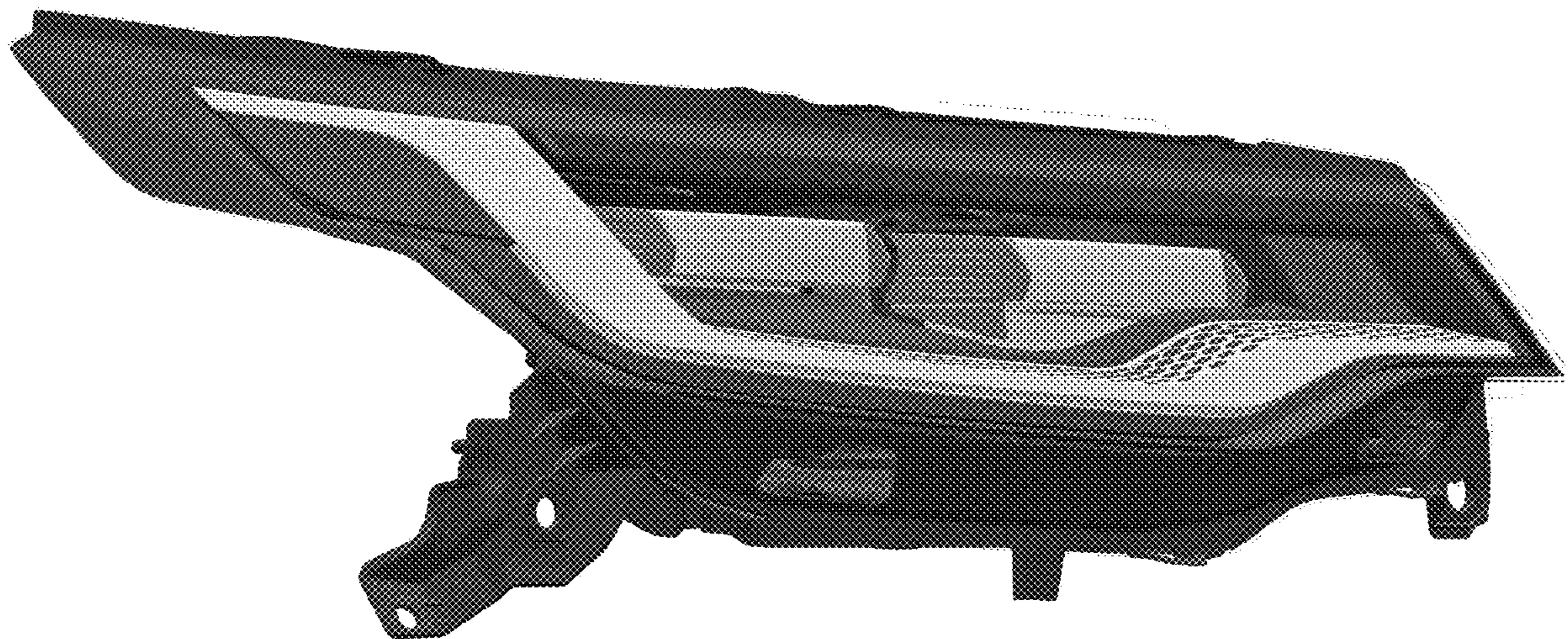
(54) **VEHICLE FRONT HEADLAMP**  
(71) Applicant: **JAGUAR LAND ROVER LIMITED**,  
Coventry (GB)  
(72) Inventor: **Gareth Thomas**, Coventry (GB)  
(73) Assignee: **JAGUAR LAND ROVER LIMITED**,  
Coventry (GB)  
(\*\*) Term: **15 Years**  
(21) Appl. No.: **29/763,267**  
(22) Filed: **Dec. 22, 2020**  
(30) **Foreign Application Priority Data**  
Jun. 29, 2020 (EM) ..... 008026363-0001  
(51) **LOC (13) Cl.** ..... **26-06**  
(52) **U.S. Cl.**  
USPC ..... **D26/28**  
(58) **Field of Classification Search**  
USPC ..... D26/28-36, 139  
CPC ..... F21S 48/00; F21S 48/10; F21S 48/115;  
F21S 48/225; F21S 48/1233; F21S  
48/1266; F21S 48/1388; F21S 48/2268;  
F21V 5/00; F21V 21/04; F21V 29/004;  
B60Q 9/13; B60Q 9/135; B60Q 9/1375;  
F21W 2102/17; F21W 2103/00; F21W  
2103/35; F21W 2103/55; F21W 2107/13;  
F21W 2107/17  
See application file for complete search history.

(56) **References Cited**  
U.S. PATENT DOCUMENTS  
D785,829 S \* 5/2017 Park ..... D26/28  
D797,965 S \* 9/2017 Matsumoto ..... D26/28  
D819,851 S \* 6/2018 Munakata ..... D26/28  
D833,658 S \* 11/2018 Lee ..... D26/28  
\* cited by examiner  
*Primary Examiner* — Marcus A Jackson  
(74) *Attorney, Agent, or Firm* — Reising Ethington P.C.

(57) **CLAIM**  
The ornamental design for a vehicle front headlamp, as shown and described.

**DESCRIPTION**  
FIG. 1 is a frontside perspective view of the vehicle front headlamp residing on a passenger-side of a vehicle (the driver-side vehicle front headlamp being a mirror image of this passenger-side vehicle front headlamp);  
FIG. 2 is another frontside perspective view thereof;  
FIG. 3 is a front view thereof;  
FIG. 4 is a right side view thereof;  
FIG. 5 is a left side view thereof;  
FIG. 6 is a top view thereof;  
FIG. 7 is a bottom view thereof;  
FIG. 8 is a rearside perspective view thereof;  
FIG. 9 is another rearside perspective view thereof; and,  
FIG. 10 is a rear view thereof.

**1 Claim, 10 Drawing Sheets**





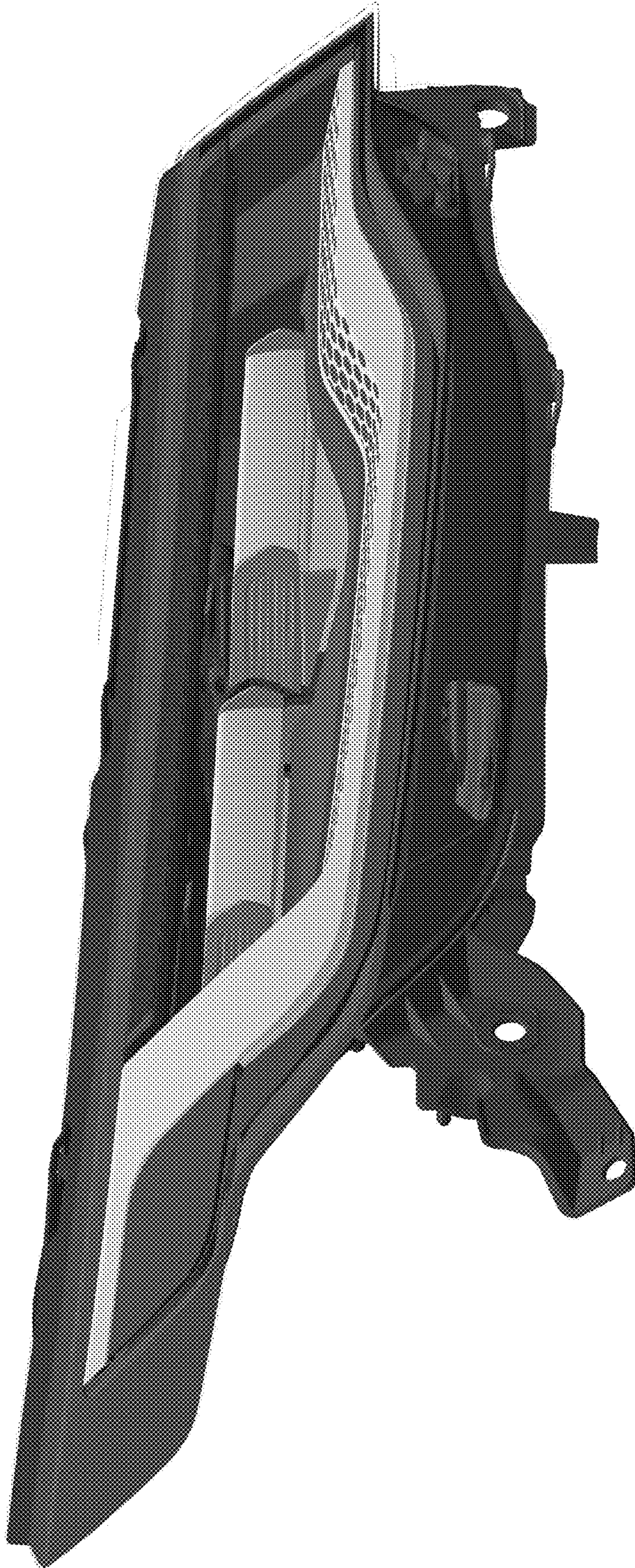


FIG. 1





FIG. 2





FIG. 3



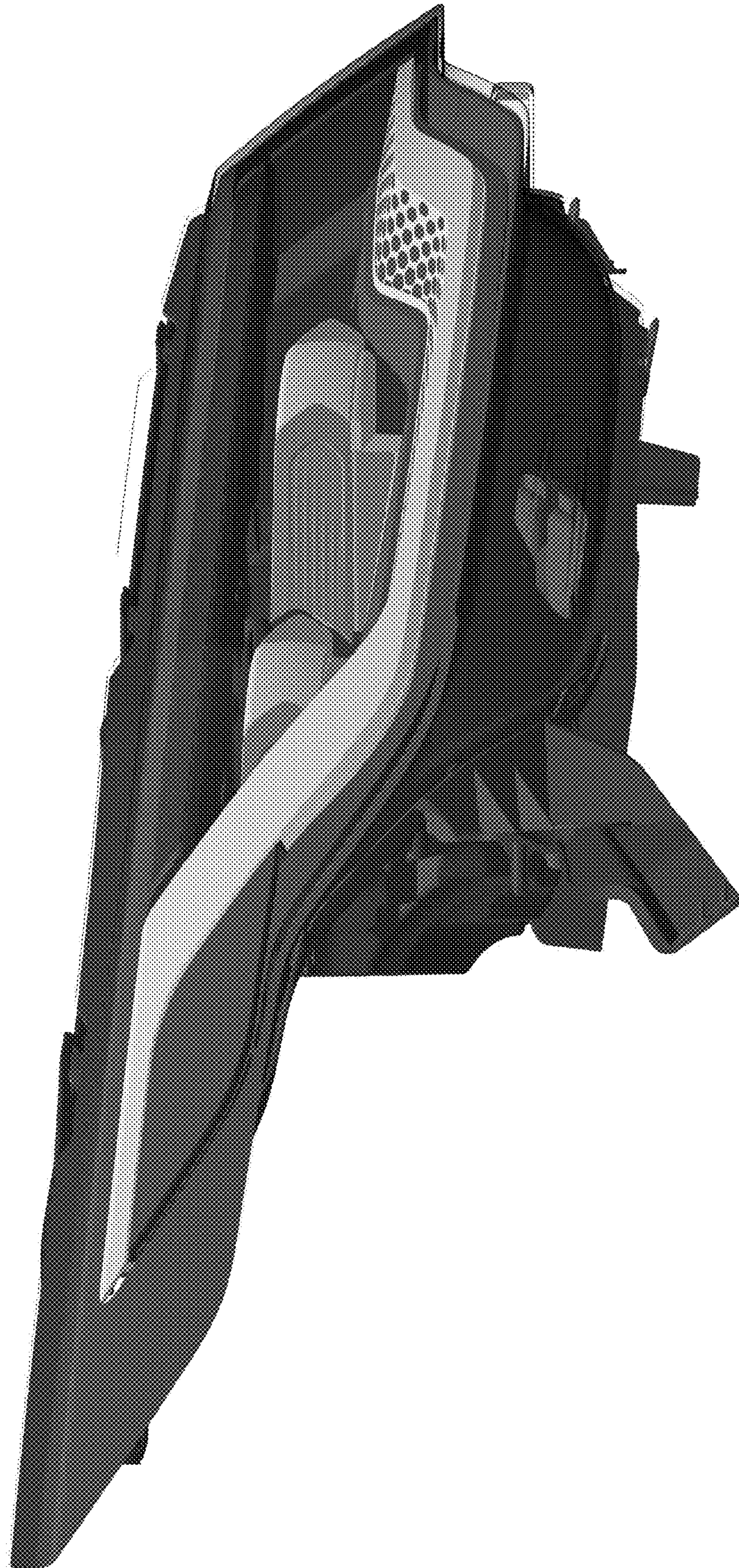


FIG. 4



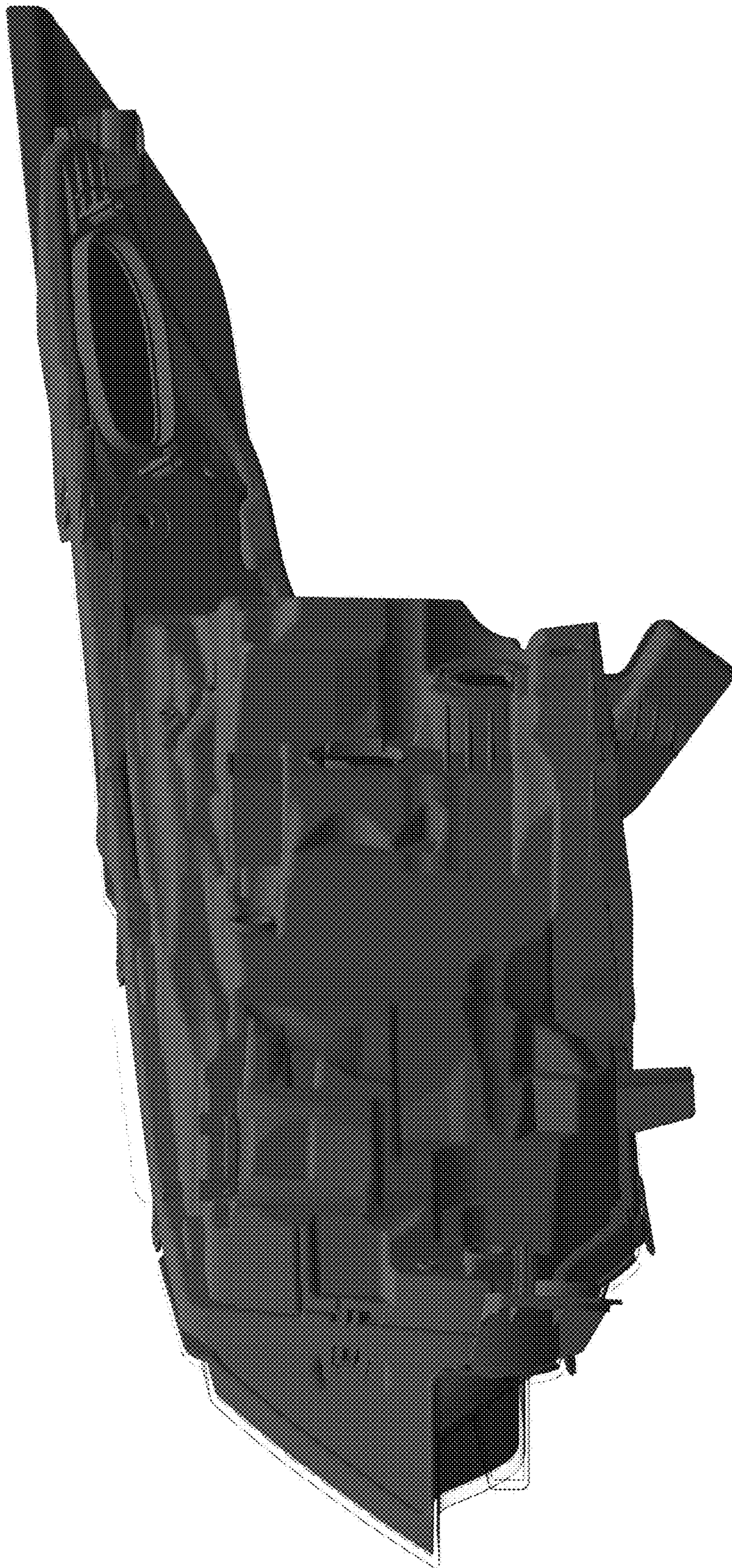


FIG. 5



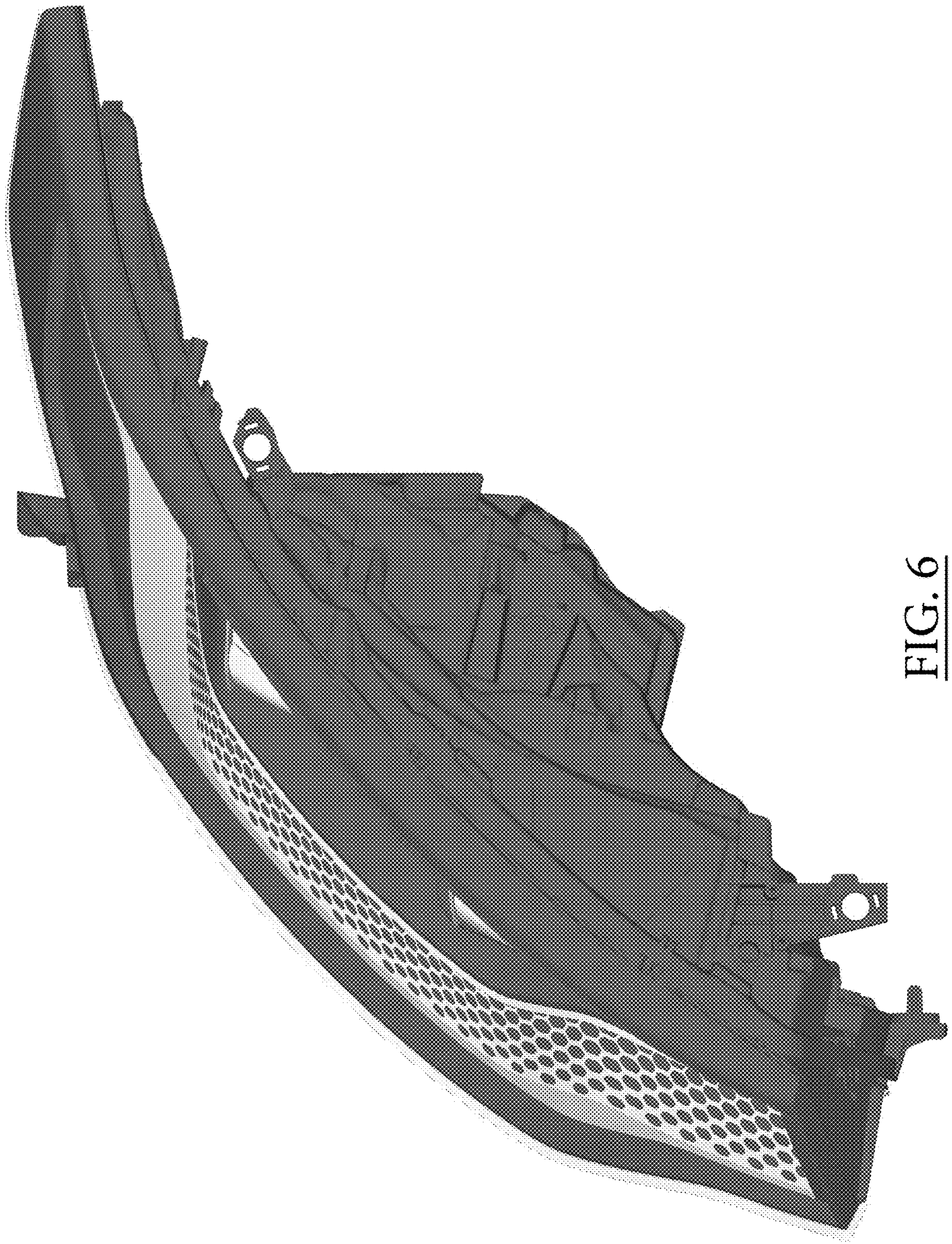


FIG. 6



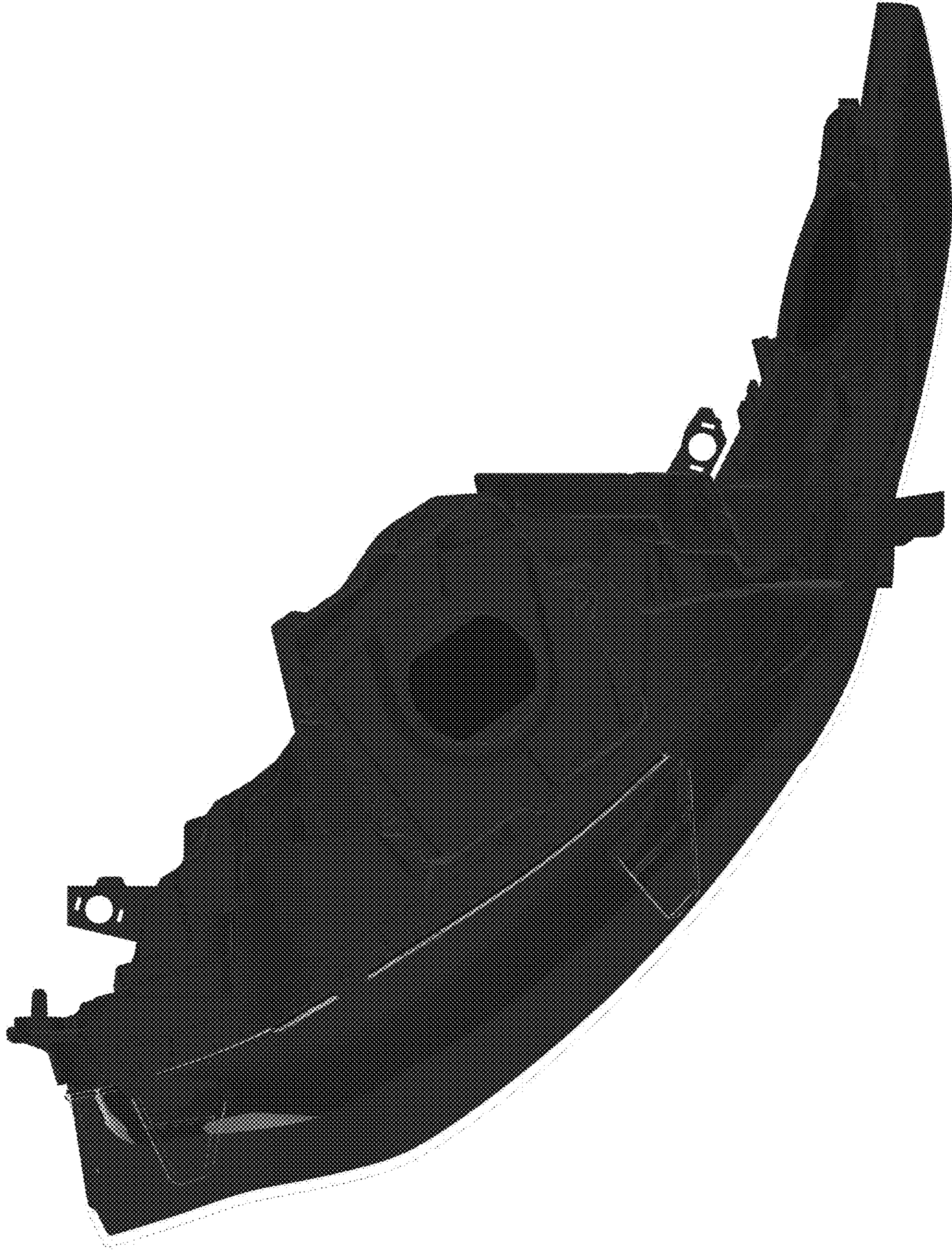


FIG. 7



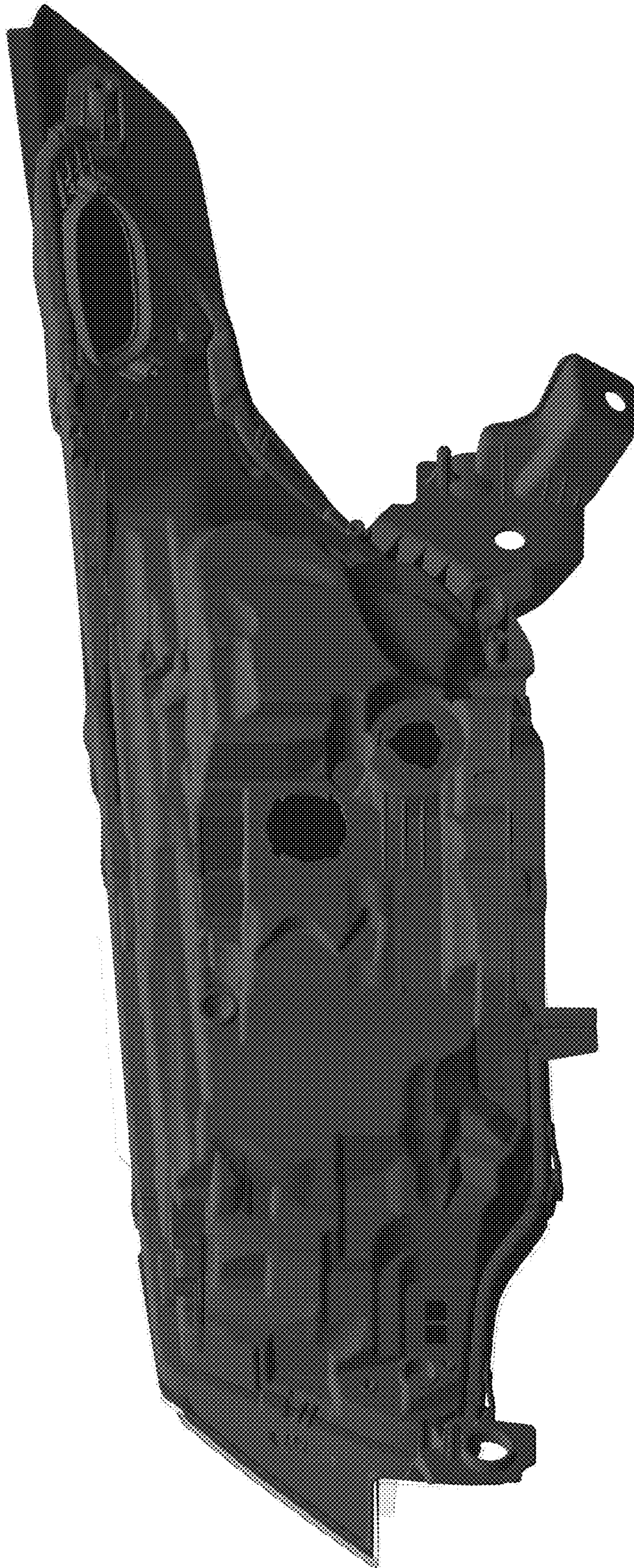


FIG. 8



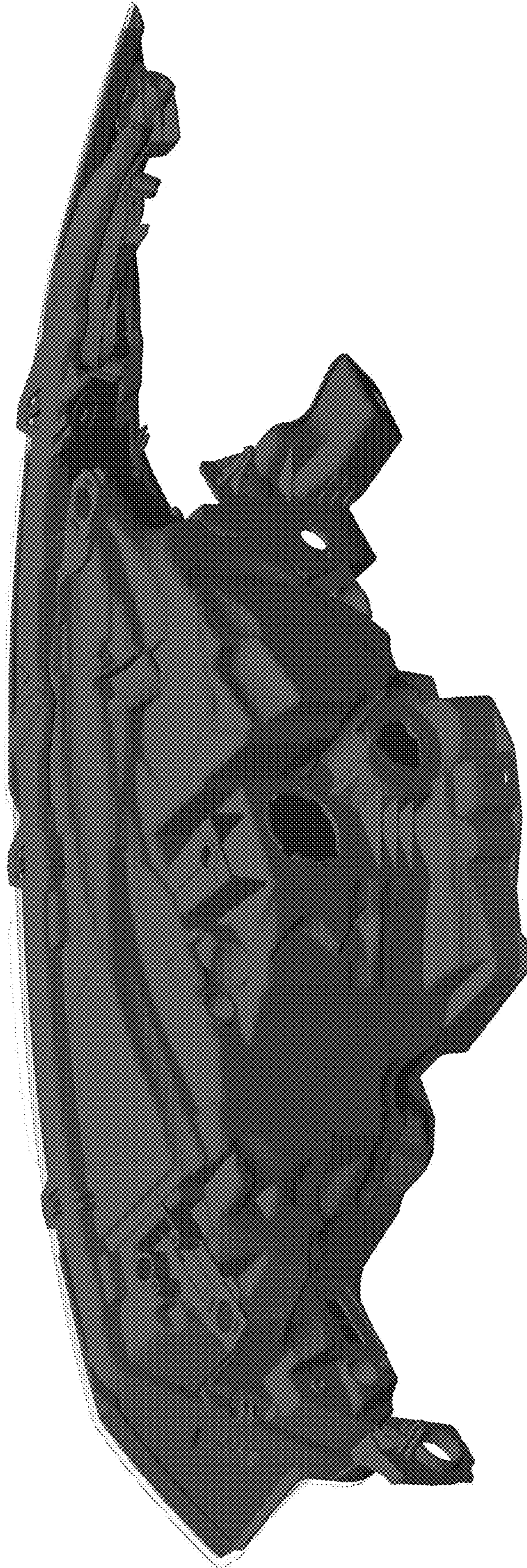


FIG. 9



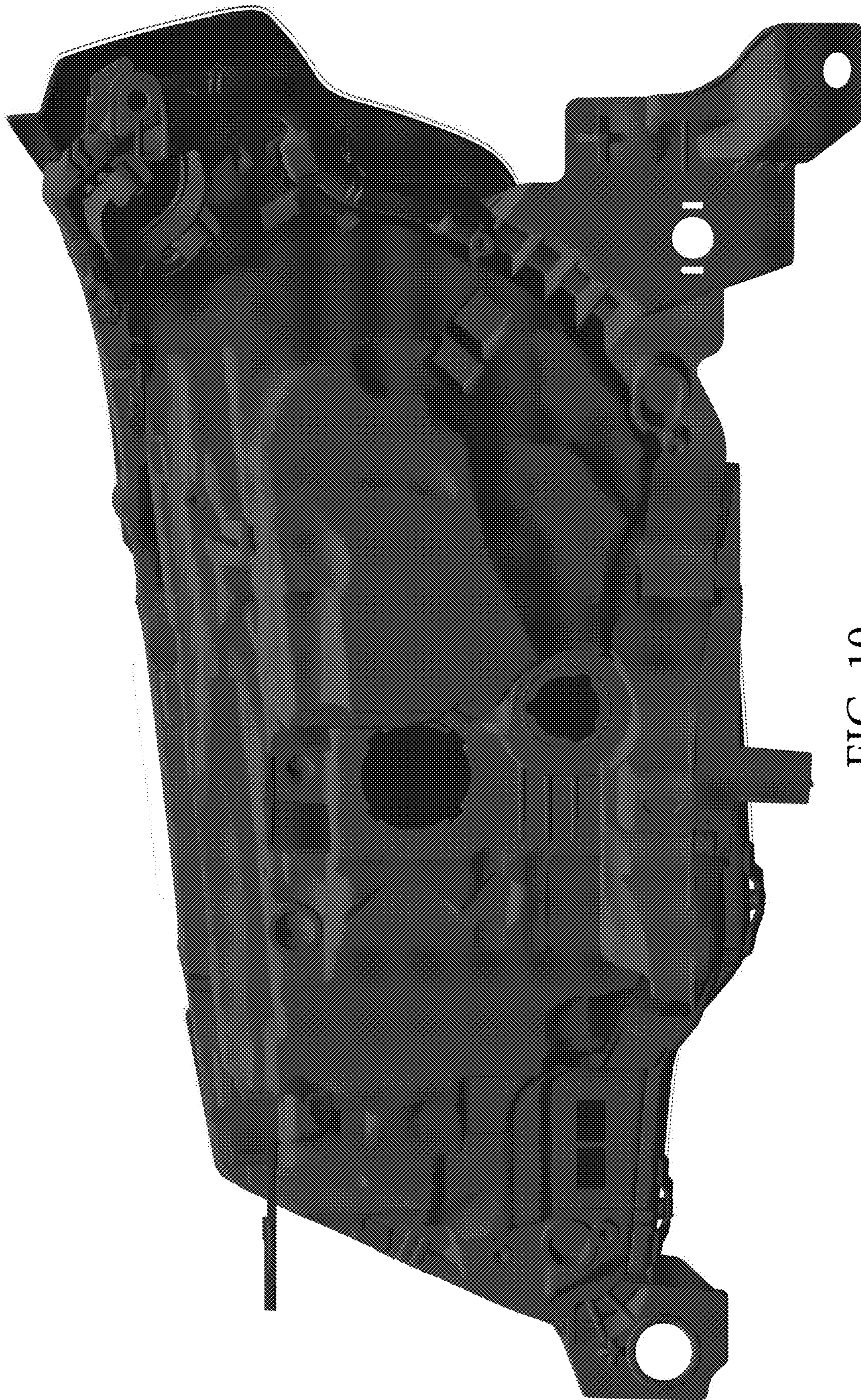


FIG. 10