



US00D966574S

(12) **United States Design Patent**  
**Zhou**

(10) **Patent No.:** **US D966,574 S**  
(45) **Date of Patent:** **\*\* Oct. 11, 2022**

(54) **LIGHT**

(71) Applicant: **Li Zhou**, Beijing (CN)

(72) Inventor: **Li Zhou**, Beijing (CN)

(\*\*) Term: **15 Years**

(21) Appl. No.: **29/800,627**

(22) Filed: **Jul. 22, 2021**

(30) **Foreign Application Priority Data**

Jul. 9, 2021 (CN) ..... 202130435327.2

(51) **LOC (13) Cl.** ..... **26-04**

(52) **U.S. Cl.**  
USPC ..... **D26/25**

(58) **Field of Classification Search**

USPC ..... D26/1, 2, 4, 24, 25, 27, 113, 118  
CPC ..... F21S 4/00; F21S 4/10; F21S 4/15; F21S  
4/20; F21K 9/00; F21W 2121/00; F21W  
2121/04; A44C 15/0015

See application file for complete search history.

(56) **References Cited**

**U.S. PATENT DOCUMENTS**

- D841,876 S \* 2/2019 Huang ..... F21L 14/026  
D26/138
- D863,595 S \* 10/2019 Liao ..... A41D 27/085  
D26/80
- D865,232 S \* 10/2019 Wu ..... D26/25
- D874,692 S \* 2/2020 Dai ..... D26/25
- D910,890 S \* 2/2021 Yang ..... D26/25
- 10,907,786 B2 \* 2/2021 Chen ..... H05B 47/19
- D925,077 S \* 7/2021 Yang ..... D26/25
- D932,669 S \* 10/2021 Zhao ..... D26/25
- 11,168,851 B1 \* 11/2021 Chen ..... F21S 4/15

(Continued)

**FOREIGN PATENT DOCUMENTS**

- CN 306981148 \* 12/2021
- EM 008628481-0001 \* 8/2021
- EM 008628481-0002 \* 8/2021

**OTHER PUBLICATIONS**

Multicolor Multifunction LED Fairy Lights, Oct. 23, 2015, YouTube, site visited Feb. 10, 2022, url: [https://www.youtube.com/watch?v=JuMPzKrm\\_bg](https://www.youtube.com/watch?v=JuMPzKrm_bg) (Year: 2015).\*

(Continued)

*Primary Examiner* — T Chase Nelson

*Assistant Examiner* — Rachel Wolfe

(74) *Attorney, Agent, or Firm* — Wayne IP LLC

(57) **CLAIM**

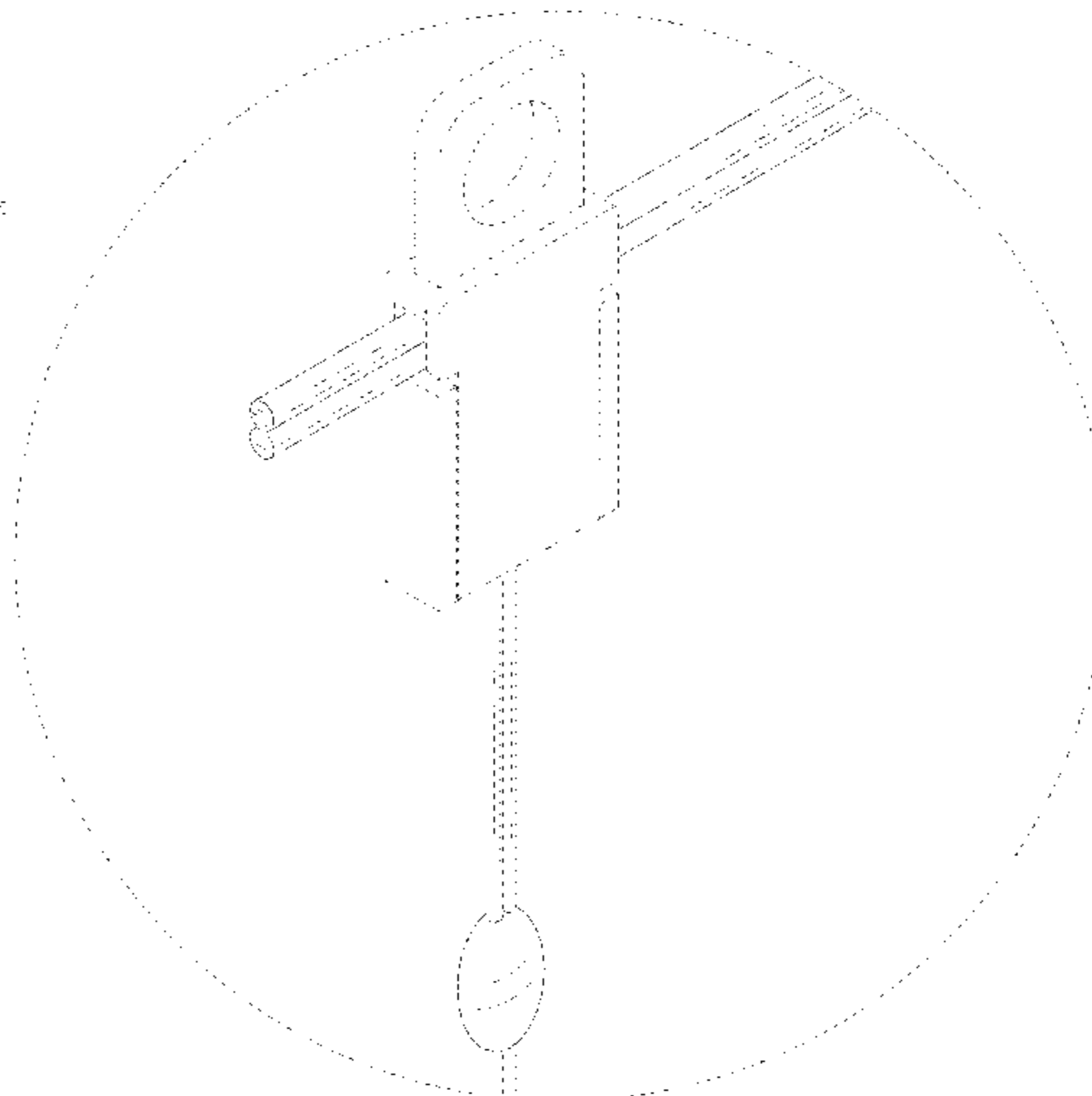
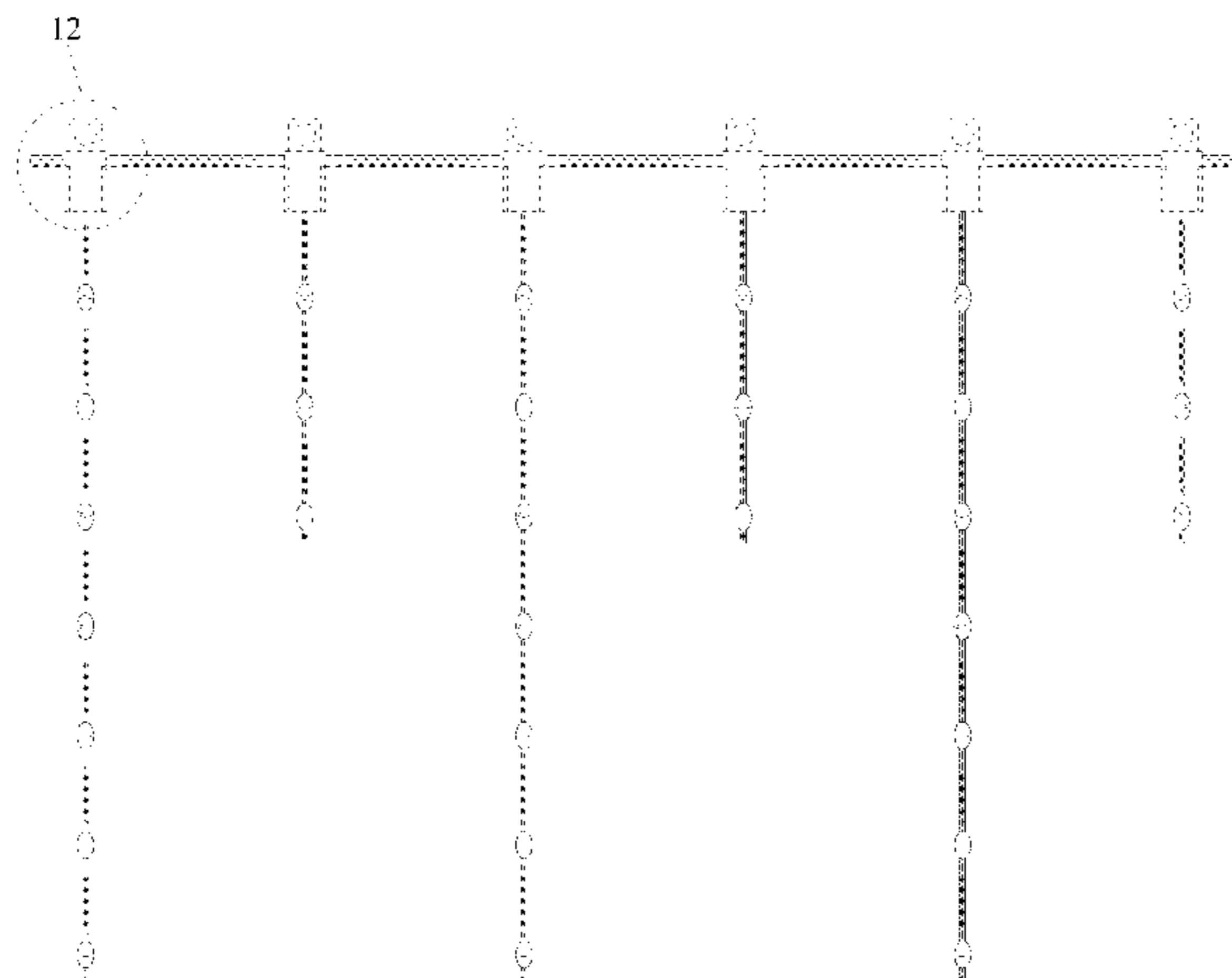
The ornamental design for a light, as shown and described.

**DESCRIPTION**

FIG. 1 is a perspective view of a light showing my new design;  
 FIG. 2 is another perspective view thereof;  
 FIG. 3 is a front view thereof;  
 FIG. 4 is a back view thereof;  
 FIG. 5 is an enlarged left view thereof;  
 FIG. 6 is an enlarged right view thereof;  
 FIG. 7 is a top view thereof;  
 FIG. 8 is a bottom view thereof;  
 FIG. 9 is an enlarged view of the fragment marked 9 in FIG. 1;  
 FIG. 10 is an enlarged view of the fragment marked 10 in FIG. 1;  
 FIG. 11 is an enlarged view of FIG. 2;  
 FIG. 12 is an enlarged view of FIG. 3;  
 FIG. 13 is an enlarged view of FIG. 5; and,  
 FIG. 14 is an enlarged view of FIG. 8.

The broken lines shown in the drawings depict portions of the light that form no part of the claimed design. In FIGS. 1, 2, 3, 5 and 8-14 broken lines indicate the enlarged fragments shown in FIGS. 9-14.

**1 Claim, 14 Drawing Sheets**



(56)

**References Cited**

U.S. PATENT DOCUMENTS

D947,419	S	*	3/2022	He	.....	D26/1
D948,084	S	*	4/2022	He	.....	D26/1
D950,113	S	*	4/2022	Zhou	.....	D11/125
D952,198	S	*	5/2022	Qu	.....	D26/25
D952,910	S	*	5/2022	Li	.....	D26/88
11,353,175	B1	*	6/2022	Xie	.....	F21V 23/002
2013/0176735	A1	*	7/2013	Kobayashi	.....	F21S 4/10 362/249.02
2016/0238218	A1	*	8/2016	Wang	.....	F21L 14/026
2016/0341408	A1	*	11/2016	Altamura	.....	H01L 33/486
2019/0003667	A1	*	1/2019	Marasco	.....	A41D 27/085
2019/0277458	A1	*	9/2019	Shao	.....	F21S 4/00
2019/0376669	A1	*	12/2019	Shao	.....	F21V 19/005
2021/0071828	A1	*	3/2021	Shan	.....	F21S 4/10
2022/0107082	A1	*	4/2022	Leung	.....	F21S 4/10

OTHER PUBLICATIONS

Party Propz 300 LED Fairy Curtain Lights, Sep. 22, 2018, Amazon.in, site visited Feb. 10, 2022, url: <https://www.amazon.in/dp/B08D34R1B9> (Year: 2018).\*

Lepro LED Curtain Lights, May 4, 2019, Amazon.co.uk, site visited Feb. 10, 2022, url: <https://www.amazon.co.uk/dp/B07RKNN157> (Year: 2019).\*

N Newkoin Fairy Lights 33ft 100LEDs Outdoor String Lights, Sep. 8, 2020, Amazon.com, site visited Feb. 10, 2022, url: <https://www.amazon.com/dp/B08HMZLNLL> (Year: 2020).\*

\* cited by examiner

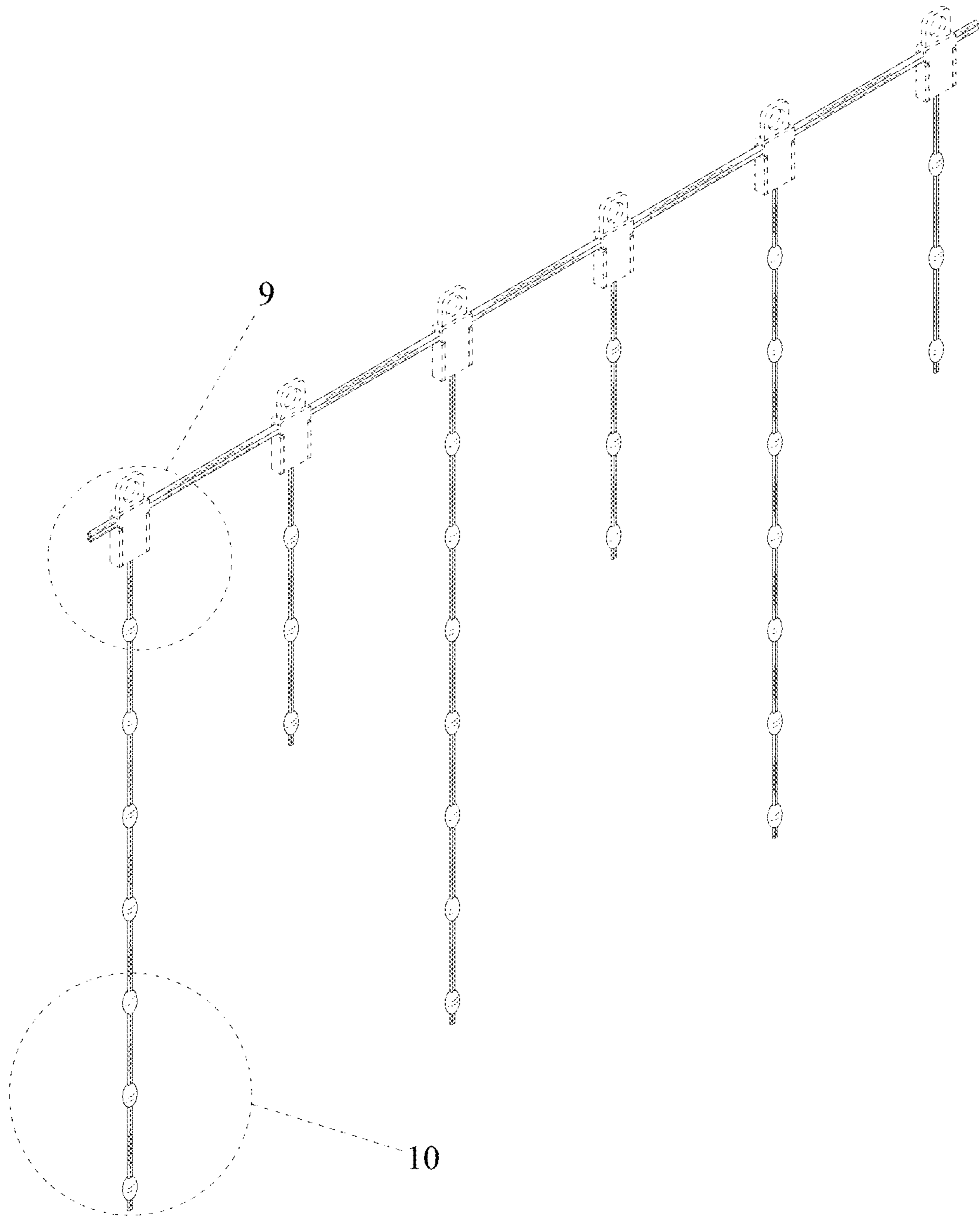


FIG. 1

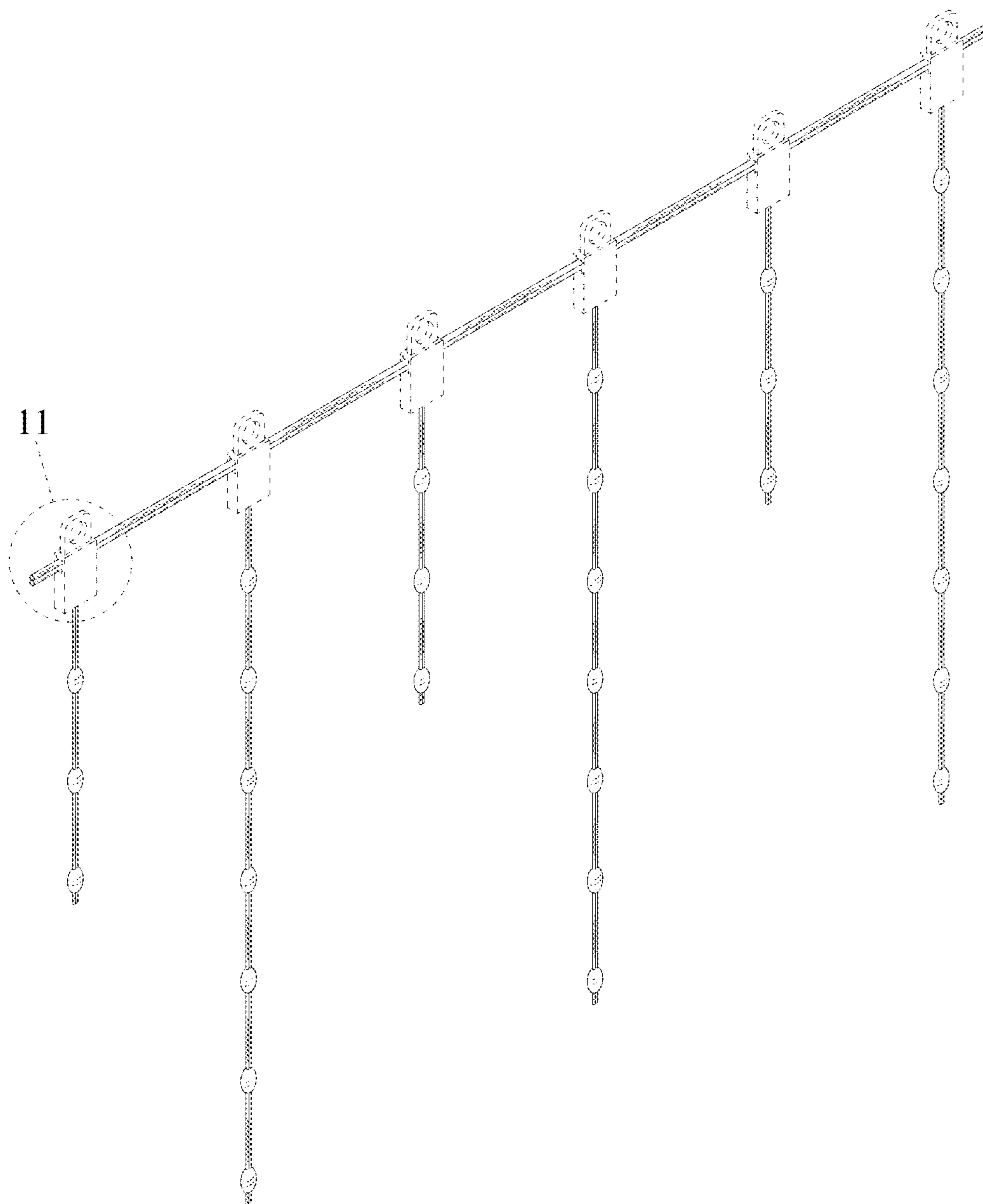


FIG. 2

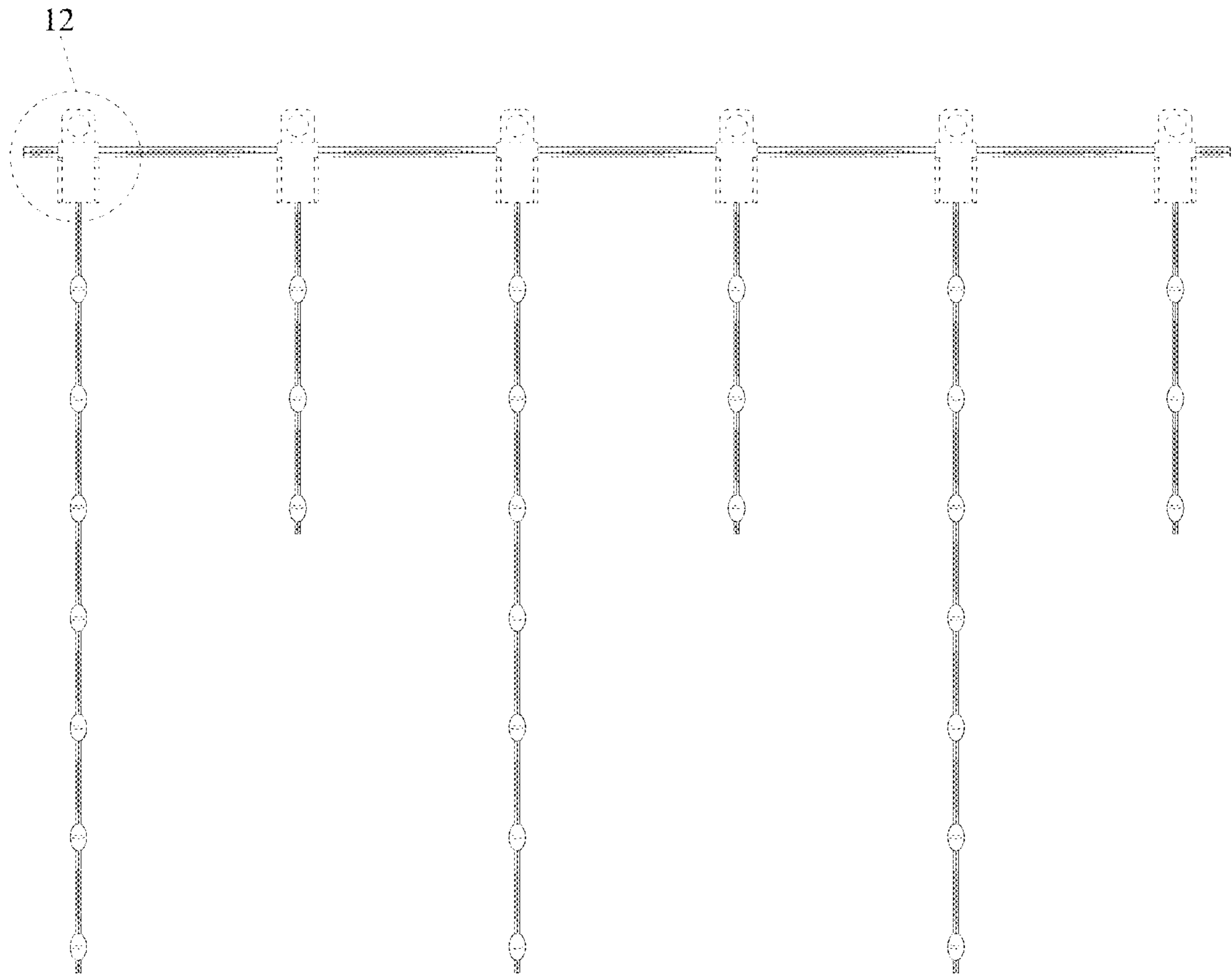


FIG. 3

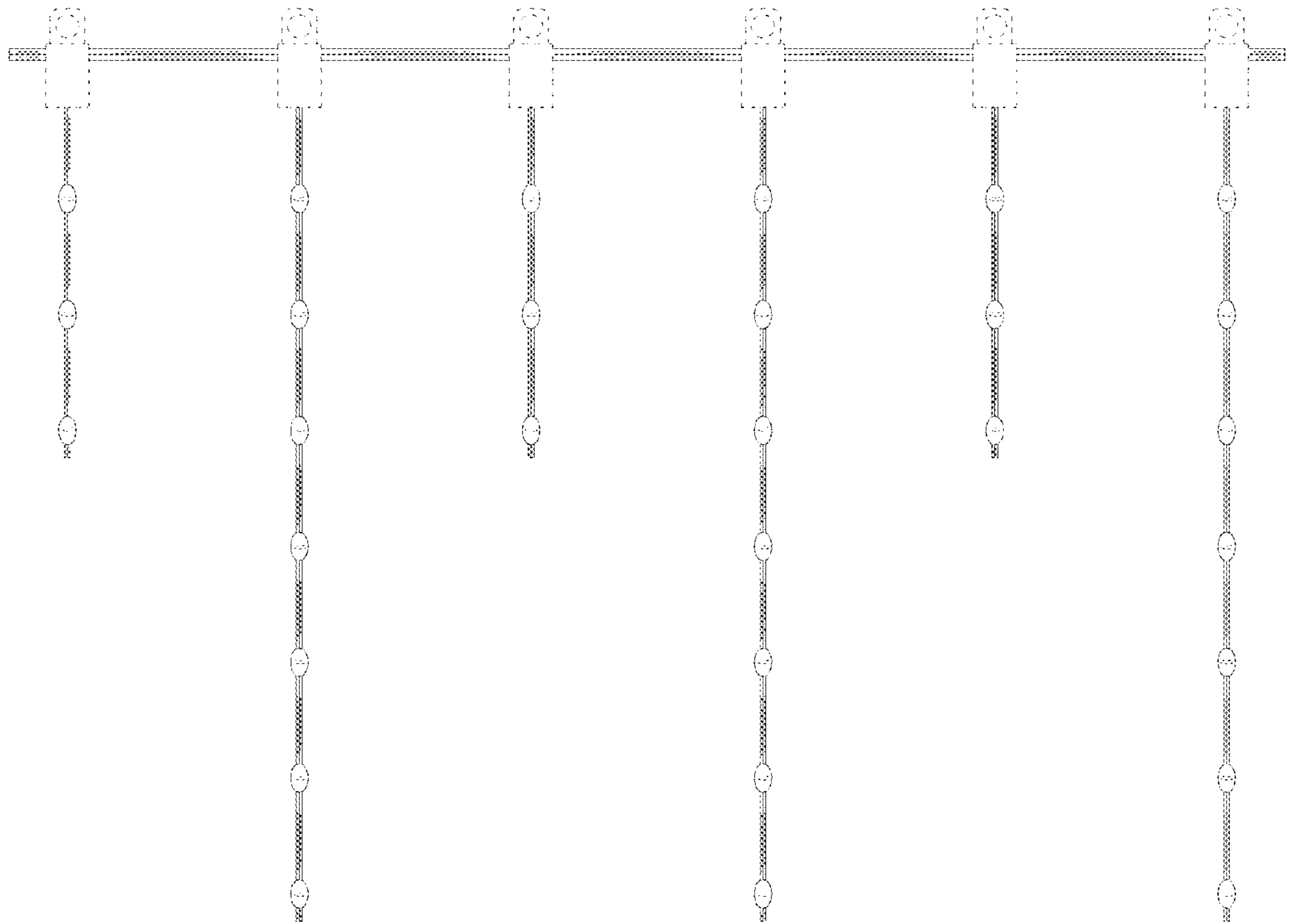


FIG. 4

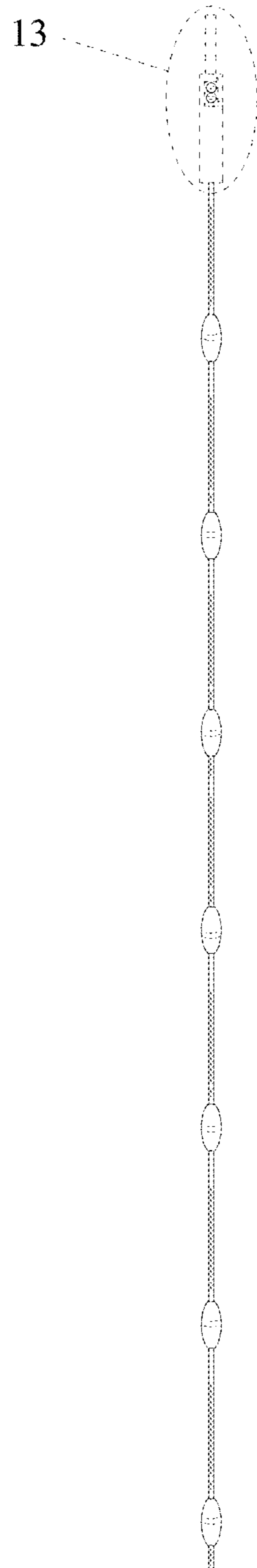


FIG. 5

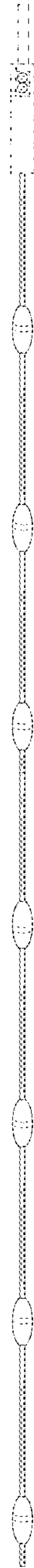


FIG. 6



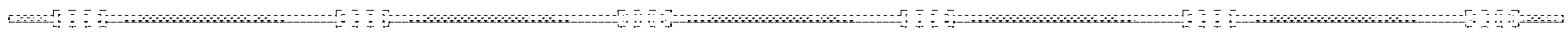


FIG. 7

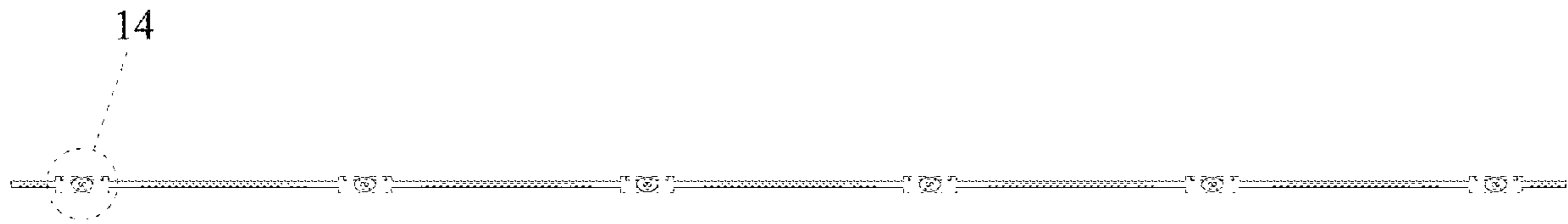


FIG. 8

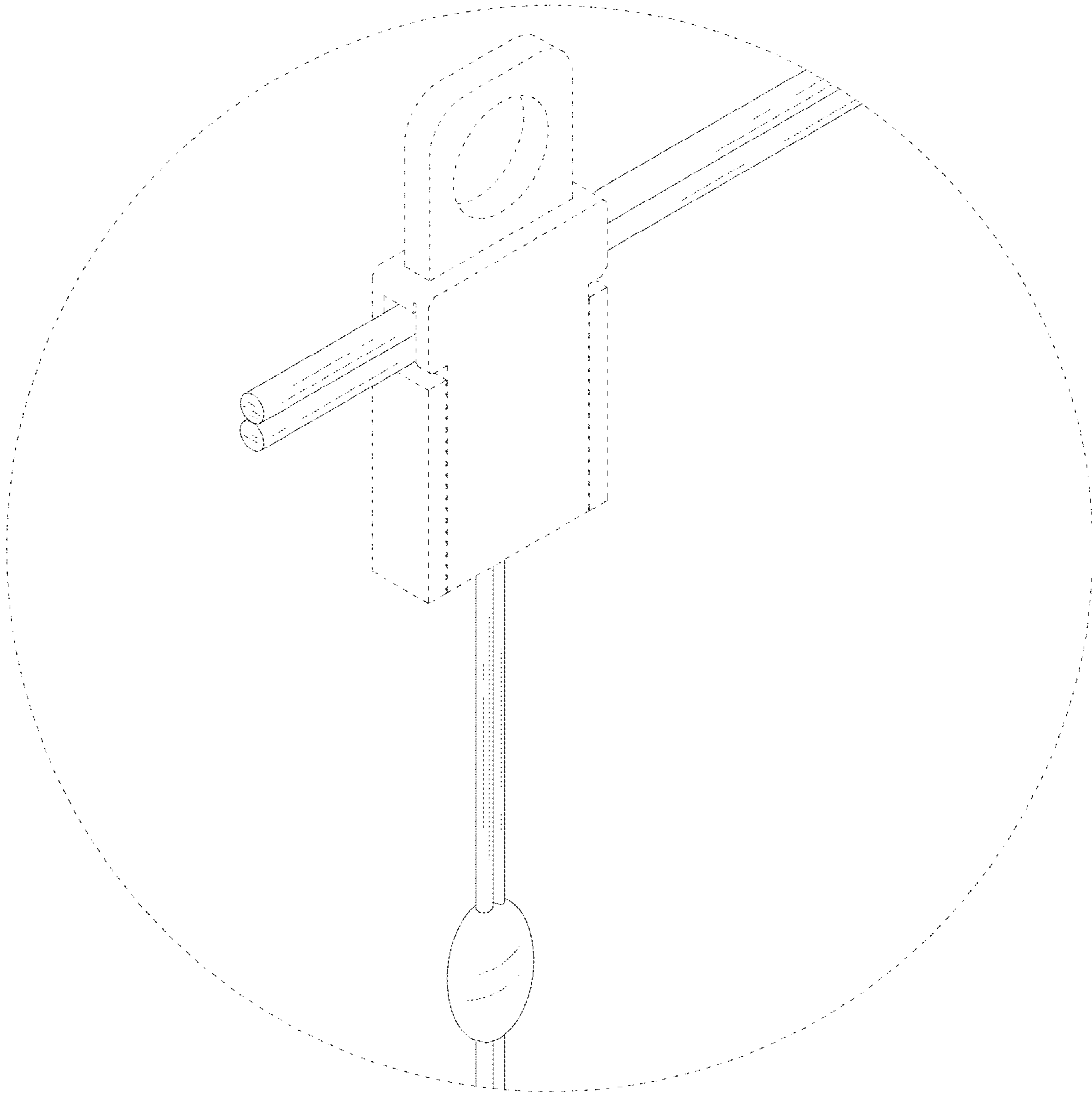


FIG. 9

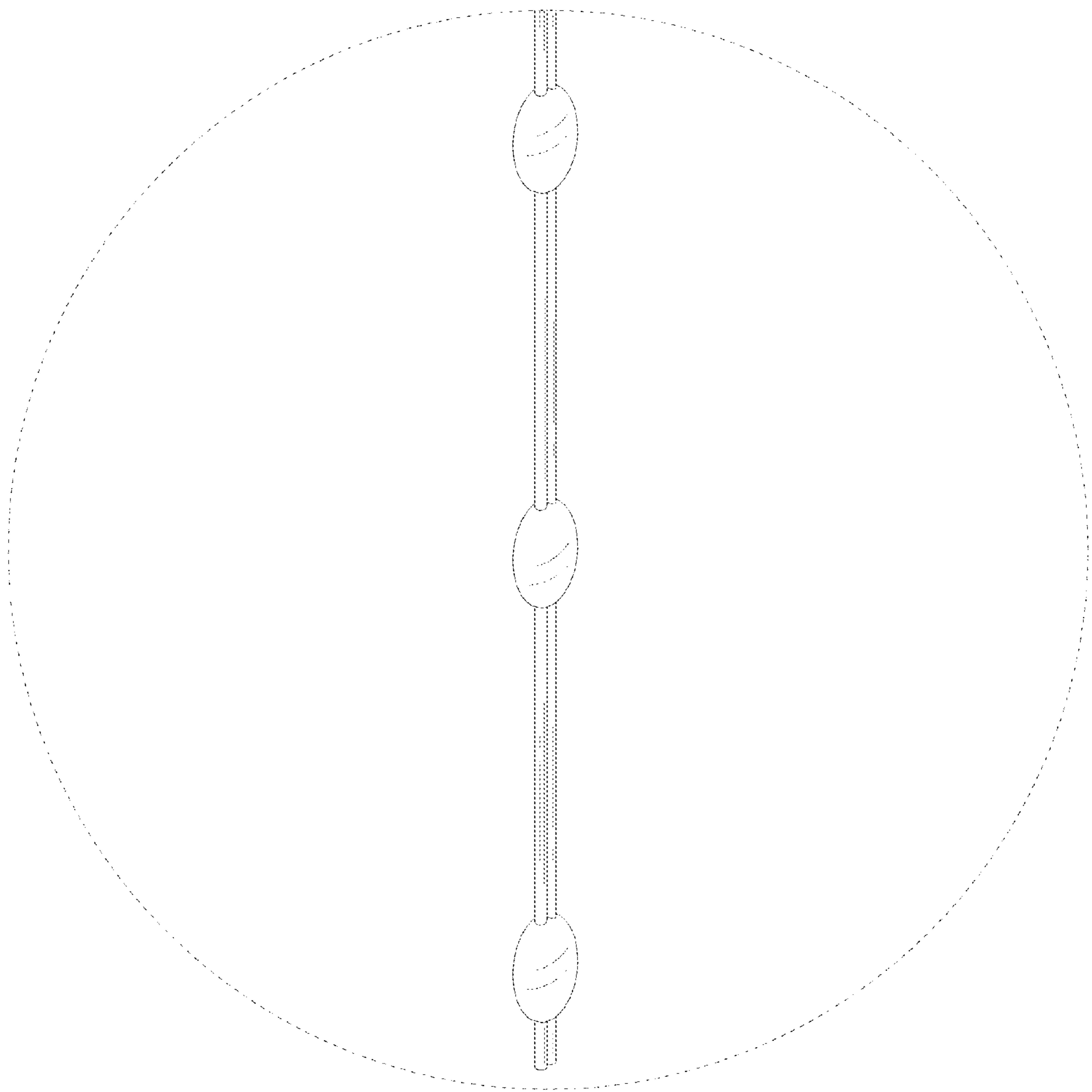


FIG. 10

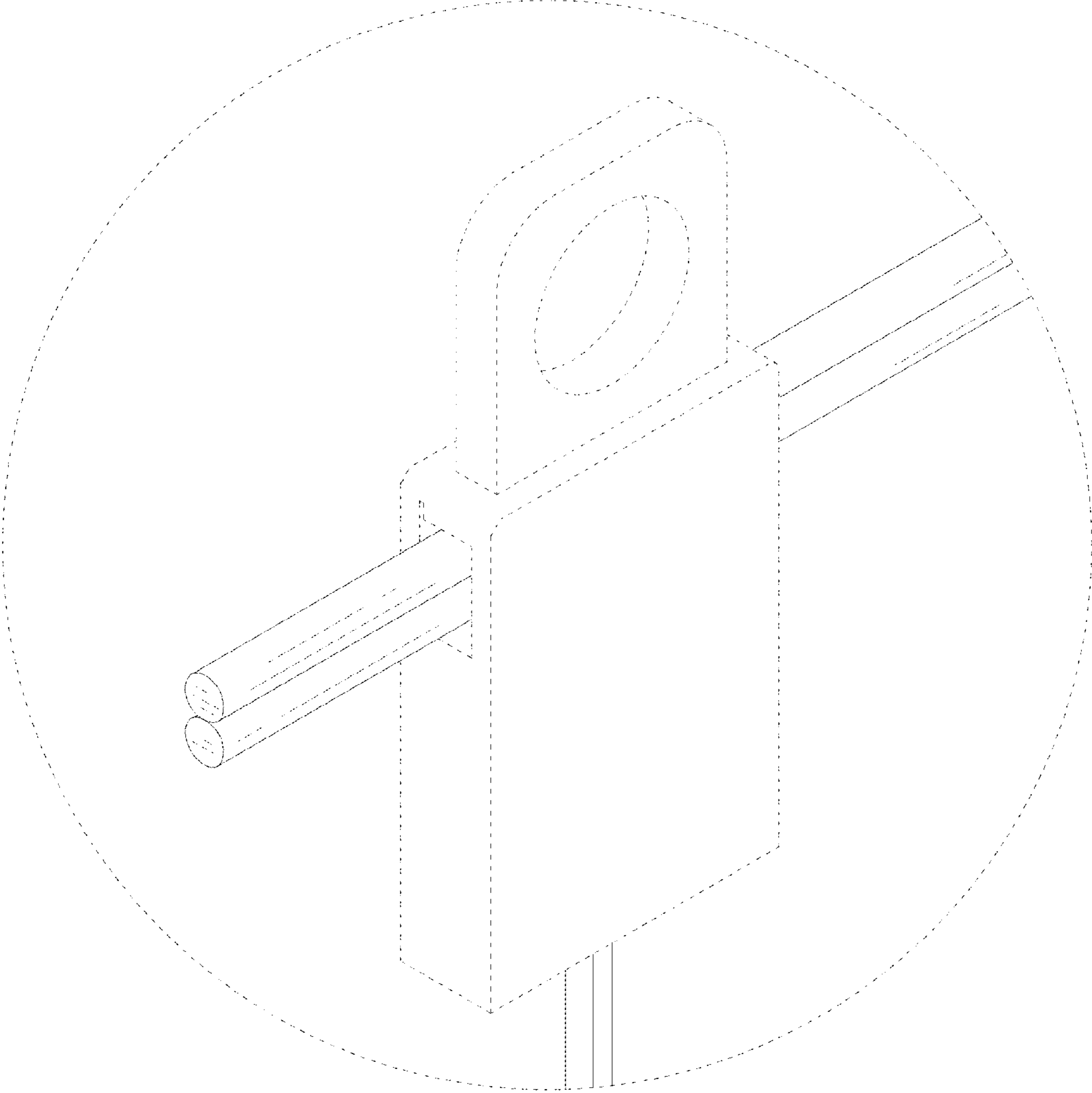


FIG. 11

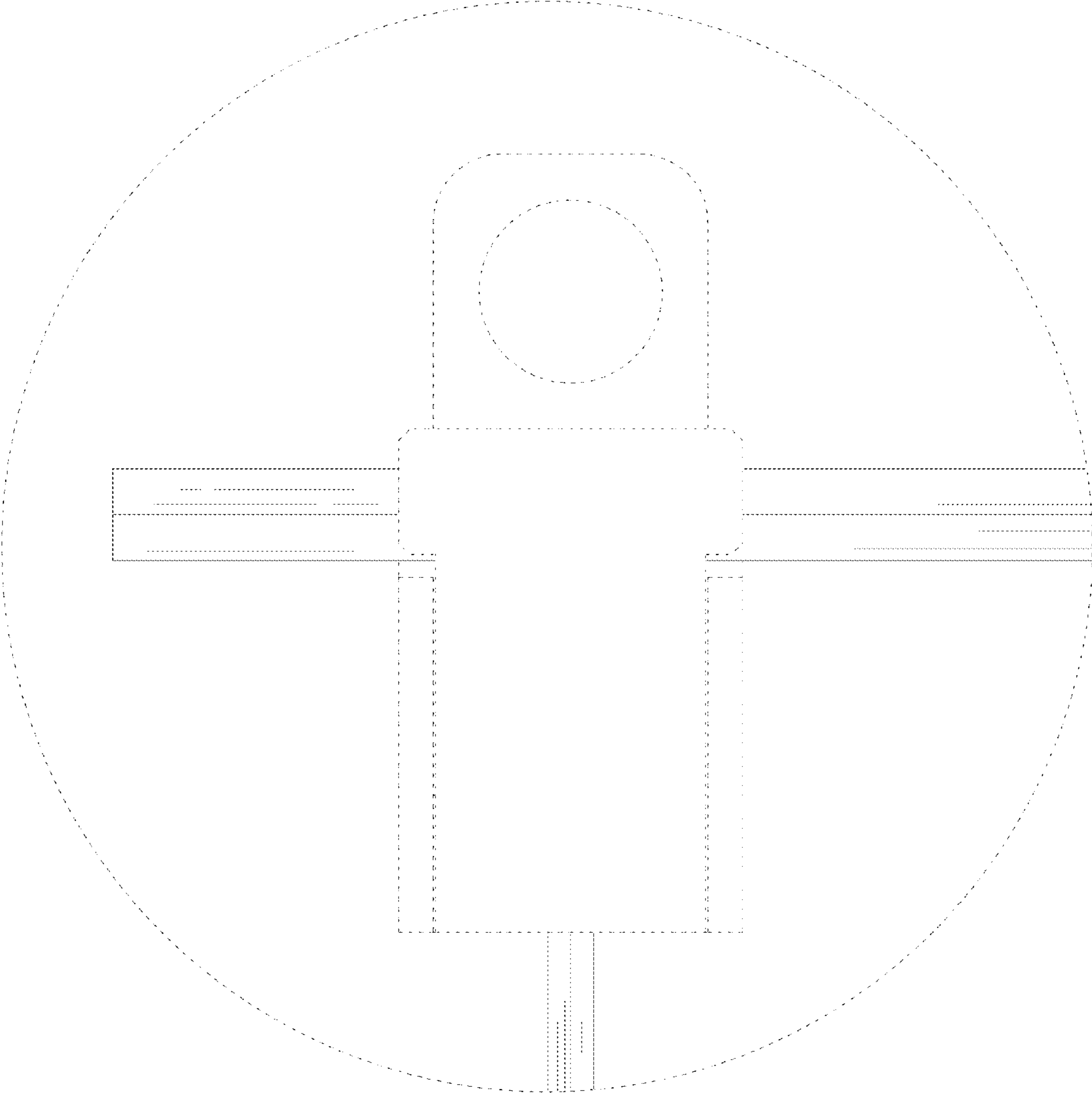


FIG. 12

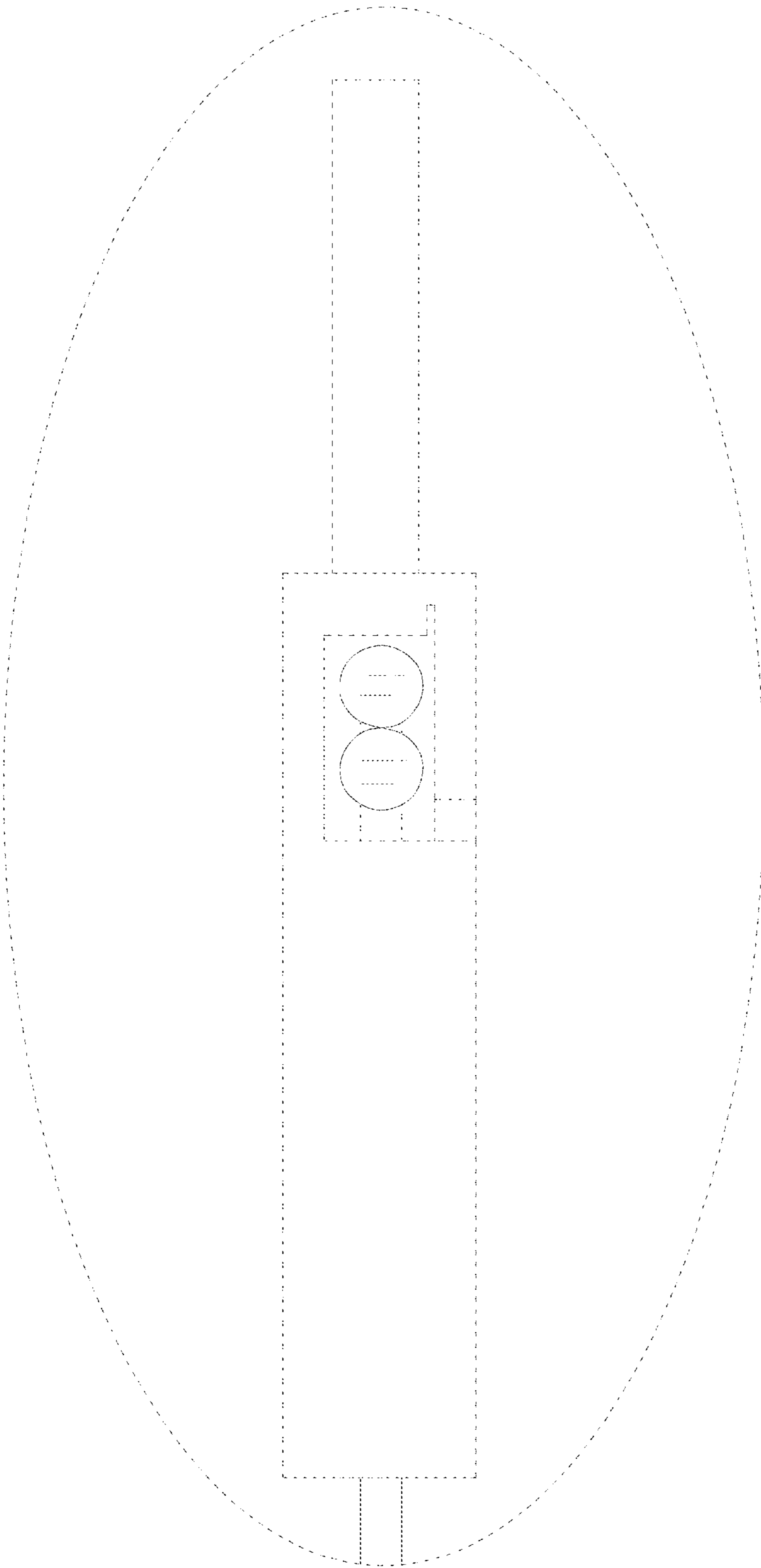


FIG. 13

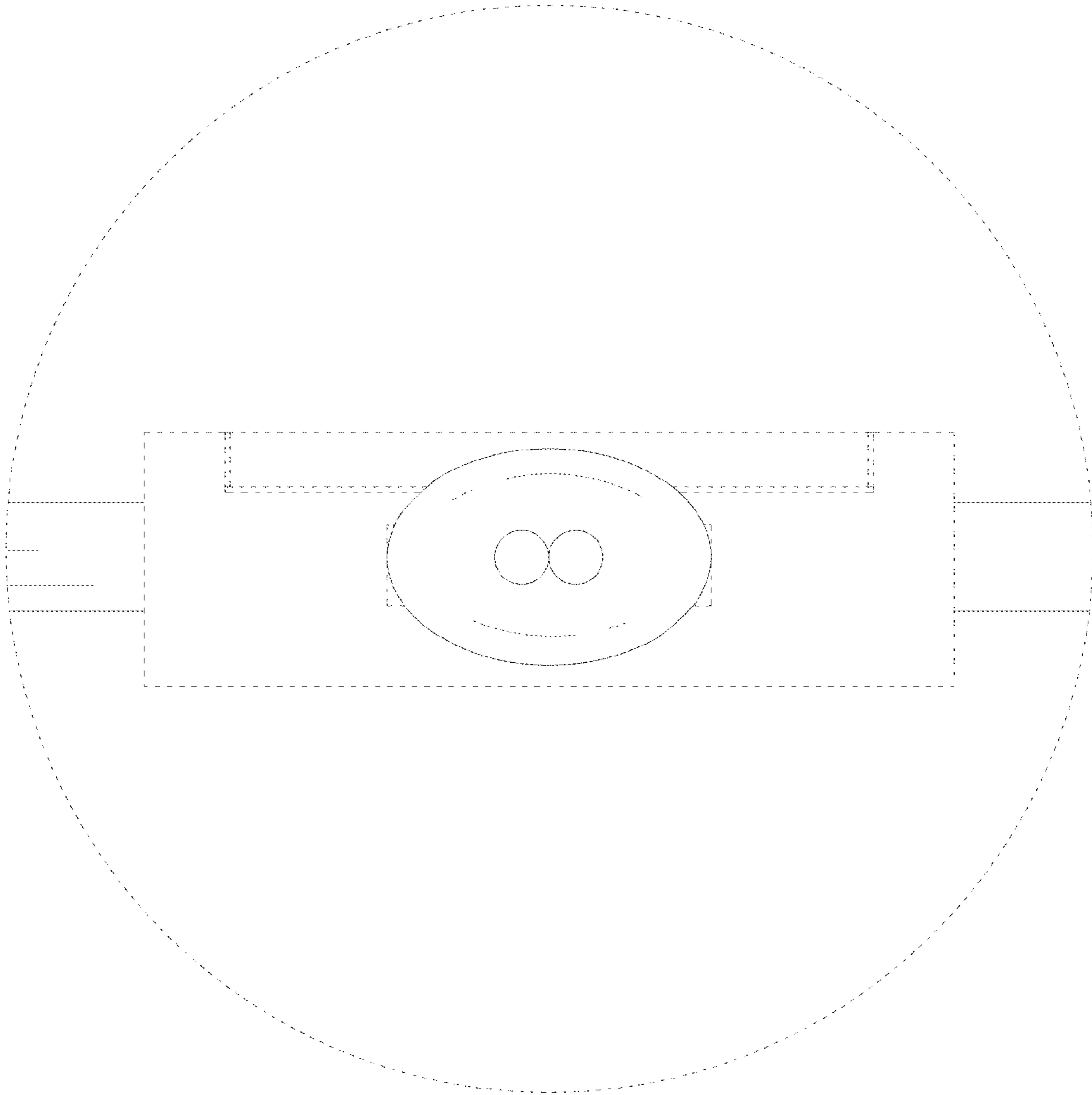


FIG. 14