



US00D966558S

(12) **United States Design Patent** (10) **Patent No.:** **US D966,558 S**  
**Melton et al.** (45) **Date of Patent:** **\*\* \*Oct. 11, 2022**

(54) **HINGE LOCK**  
(71) Applicant: **Werner Co.**, West Middlesex, PA (US)  
(72) Inventors: **Michael T. Melton**, Glen Ellyn, IL (US); **Thomas Murray**, Philadelphia, PA (US); **Thomas J. Dooley**, Media, PA (US); **Daniel Massam**, Langhorne, PA (US); **Ryan W. Duever**, Sycamore, IL (US)

D860,476 S \* 9/2019 Foley ..... D25/68  
D908,924 S \* 1/2021 Melton ..... D25/64  
D914,912 S \* 3/2021 Barker ..... D25/65  
D917,724 S \* 4/2021 Melton ..... D25/68

\* cited by examiner

*Primary Examiner* — Gino Colan  
(74) *Attorney, Agent, or Firm* — Ansel M. Schwartz

(73) Assignee: **Werner Co.**, West Middlesex, PA (US)  
(\* ) Notice: This patent is subject to a terminal disclaimer.  
(\*\*) Term: **15 Years**

(57) **CLAIM**

The ornamental design for a hinge lock, as shown and described.

(21) Appl. No.: **29/691,162**  
(22) Filed: **May 14, 2019**  
(51) **LOC (13) Cl.** ..... **25-04**  
(52) **U.S. Cl.**  
USPC ..... **D25/68**  
(58) **Field of Classification Search**  
USPC ..... D25/62-65; 16/320, 231, 328, 326;  
403/93, 96  
CPC ... E06C 7/50; E06C 7/00; E06C 1/383; E05D  
11/1007; F16C 11/10  
See application file for complete search history.

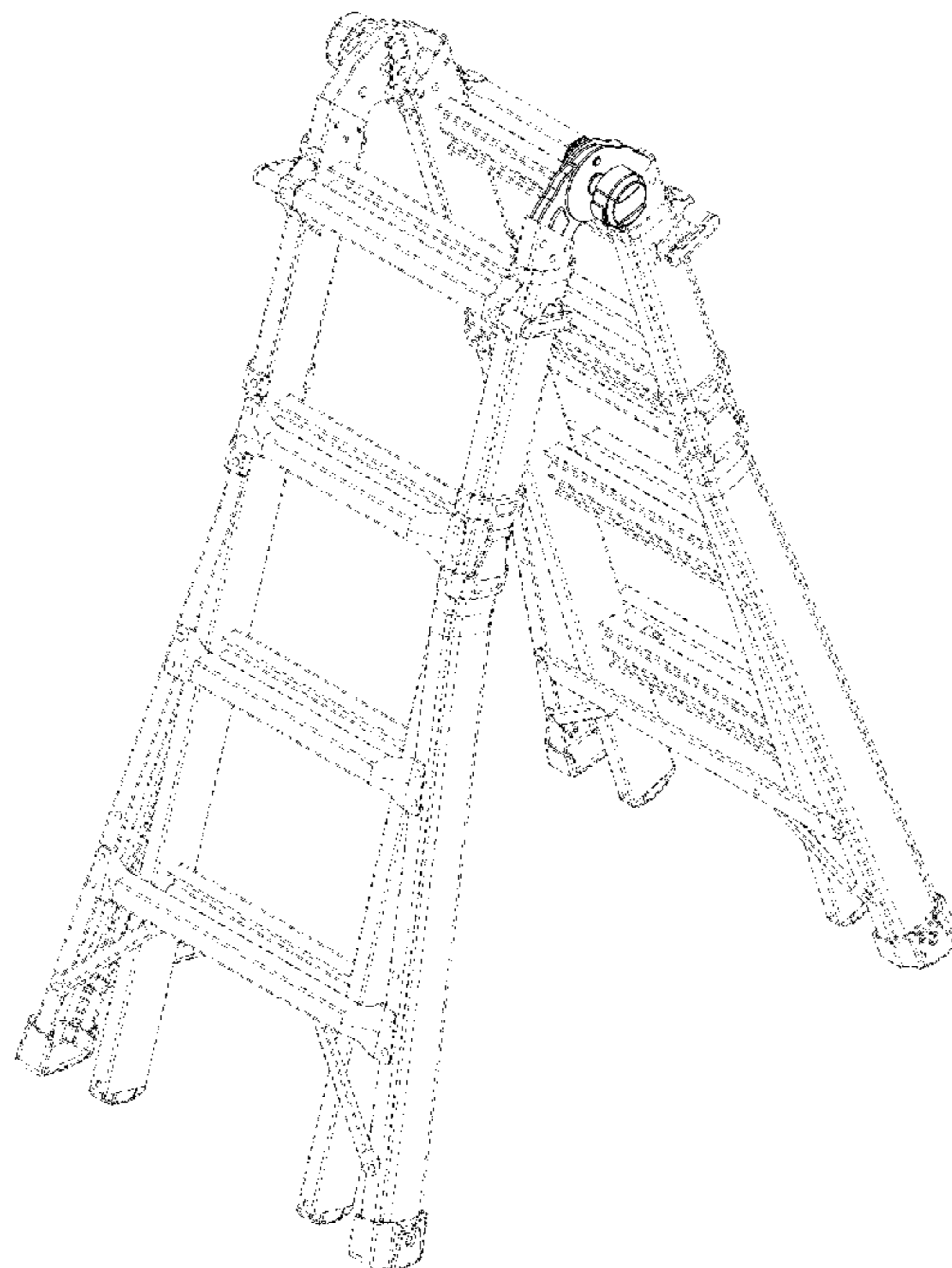
**DESCRIPTION**

FIG. 1 is a front perspective view of a hinge lock showing our new design as coupled to a multipurpose ladder in a stepladder position;  
FIG. 2 is a perspective view of the hinge lock in an extension ladder position;  
FIG. 3 is a perspective view of the hinge lock in the stepladder position;  
FIG. 4 is a front view thereof;  
FIG. 5 is a back view thereof;  
FIG. 6 is a right side view thereof;  
FIG. 7 is a left side view thereof;  
FIG. 8 is a top view thereof; and,  
FIG. 9 is a bottom view thereof.

The broken lines shown in the figures are included for the purpose of illustrating environment and form no part of the claimed design.

(56) **References Cited**  
U.S. PATENT DOCUMENTS  
4,890,950 A \* 1/1990 Yoo ..... E06C 1/32  
16/328  
D631,562 S \* 1/2011 Han ..... D25/68

**1 Claim, 9 Drawing Sheets**



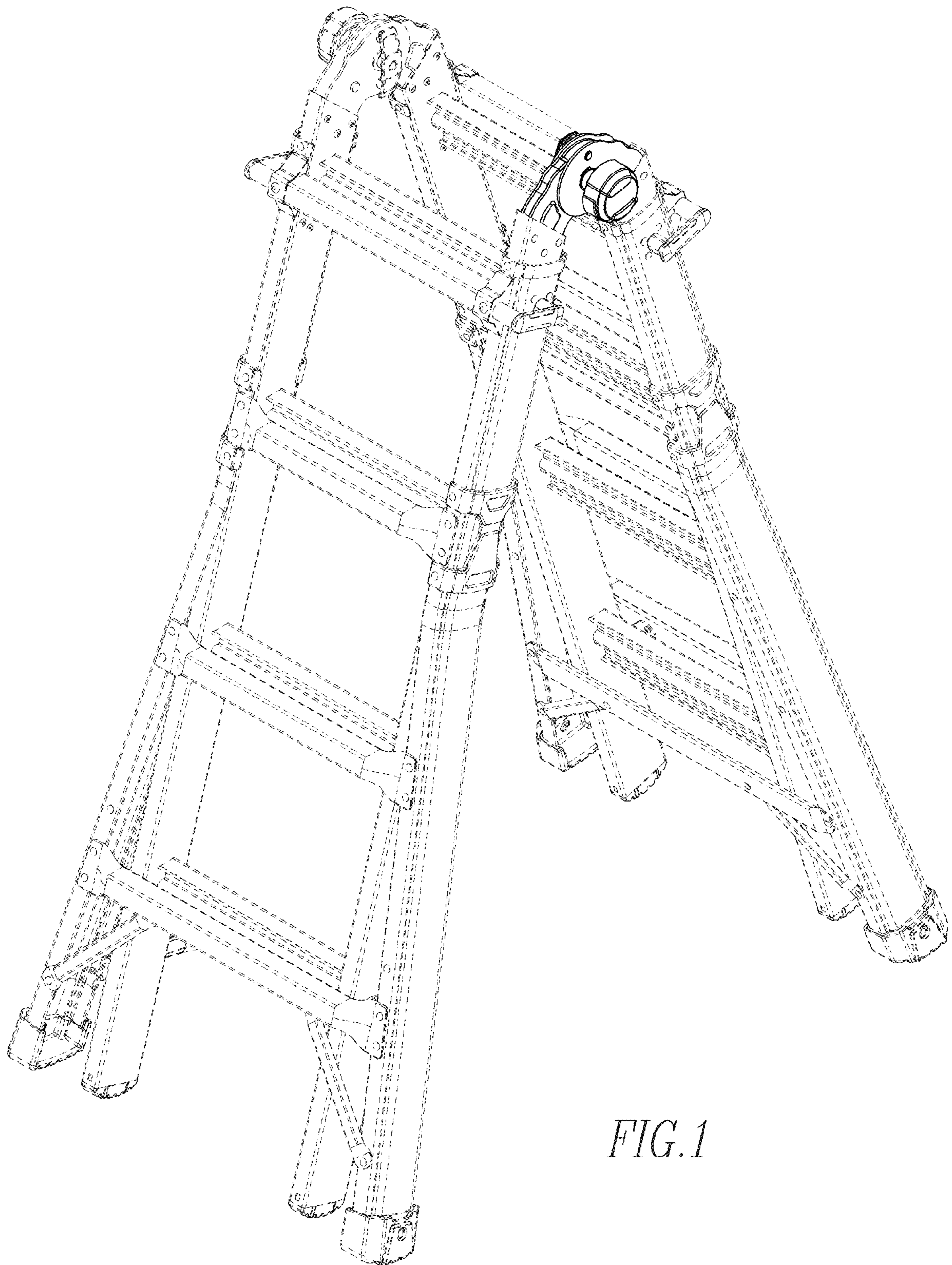


FIG. 1

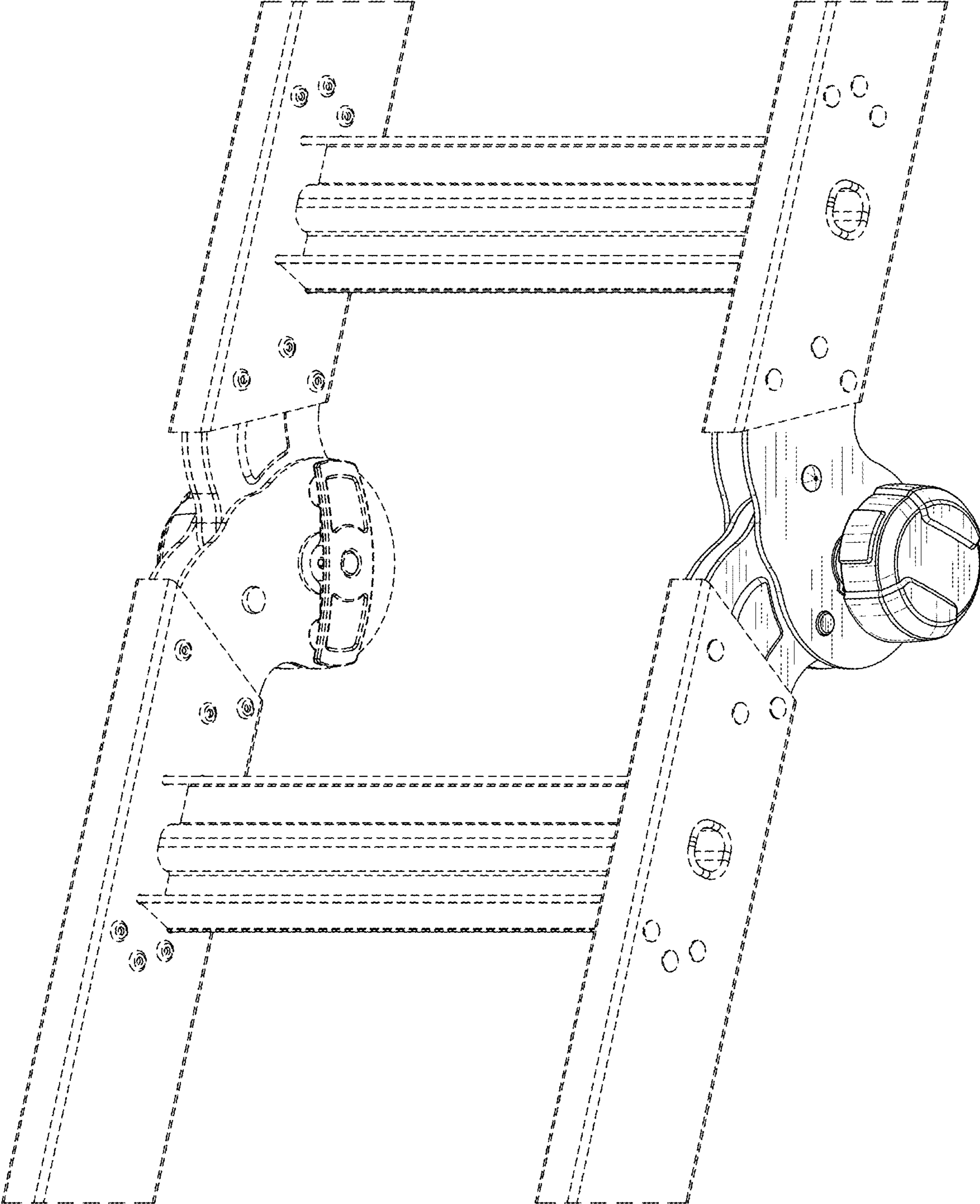


FIG. 2

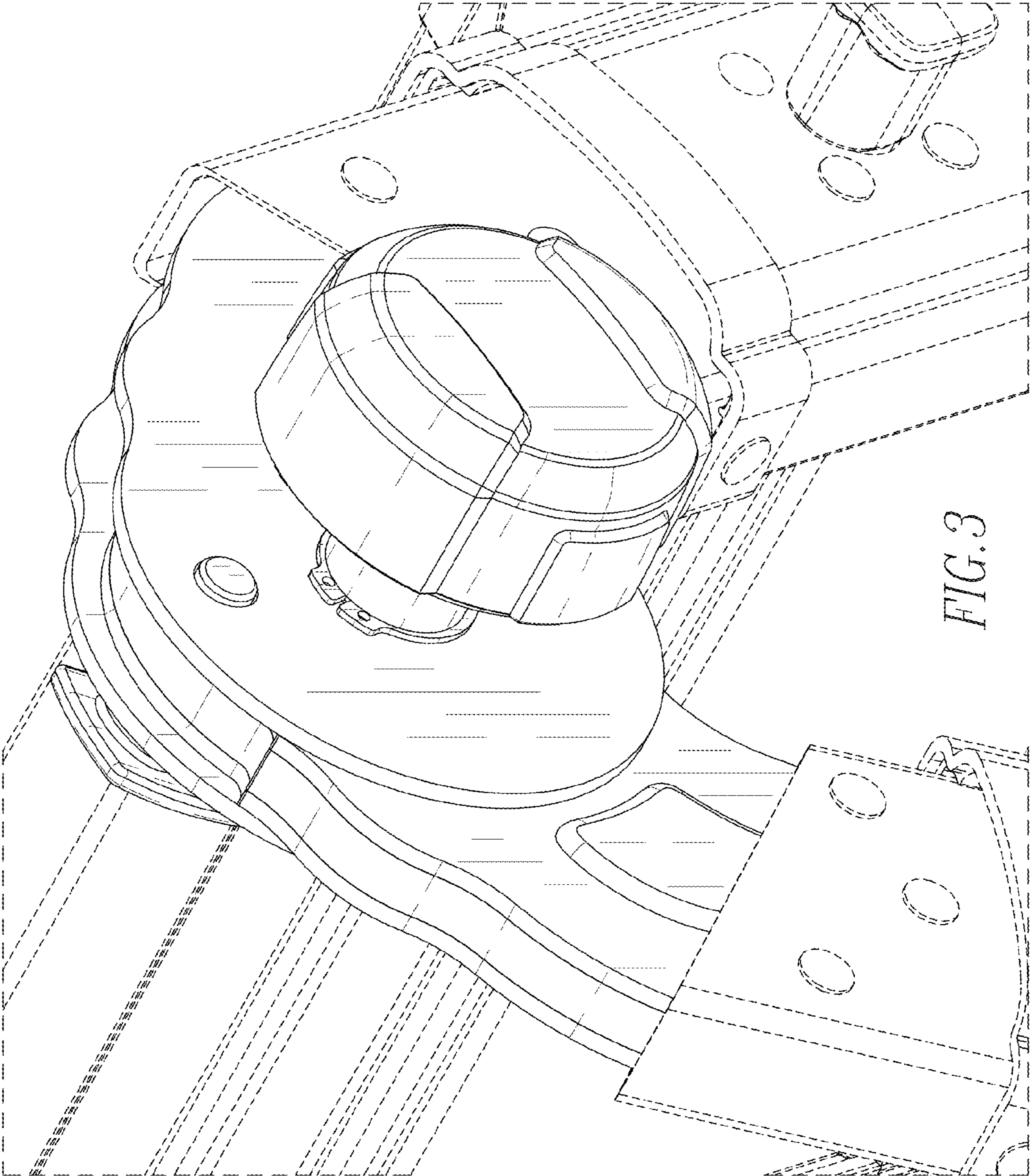
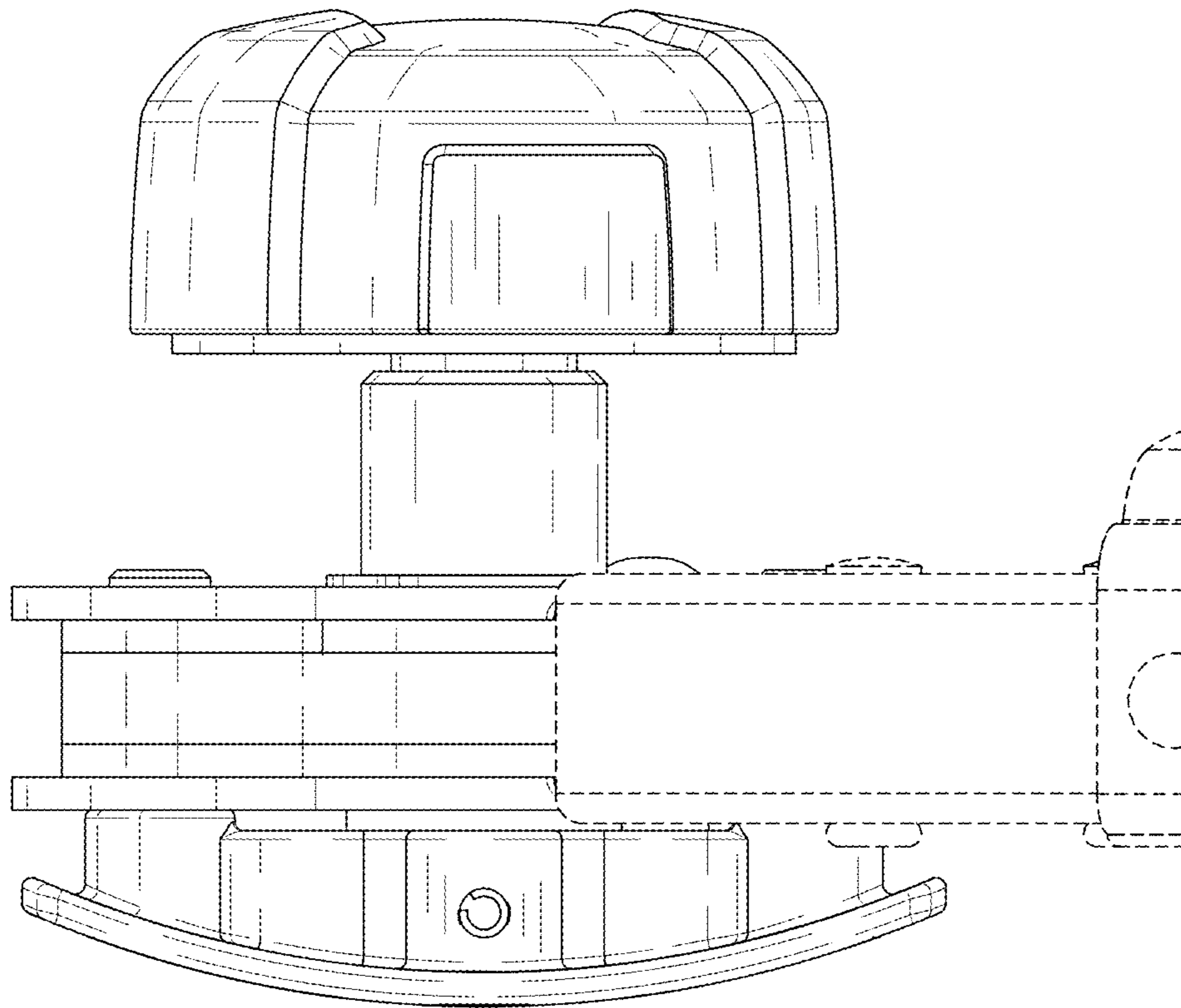


FIG. 3



*FIG. 4*

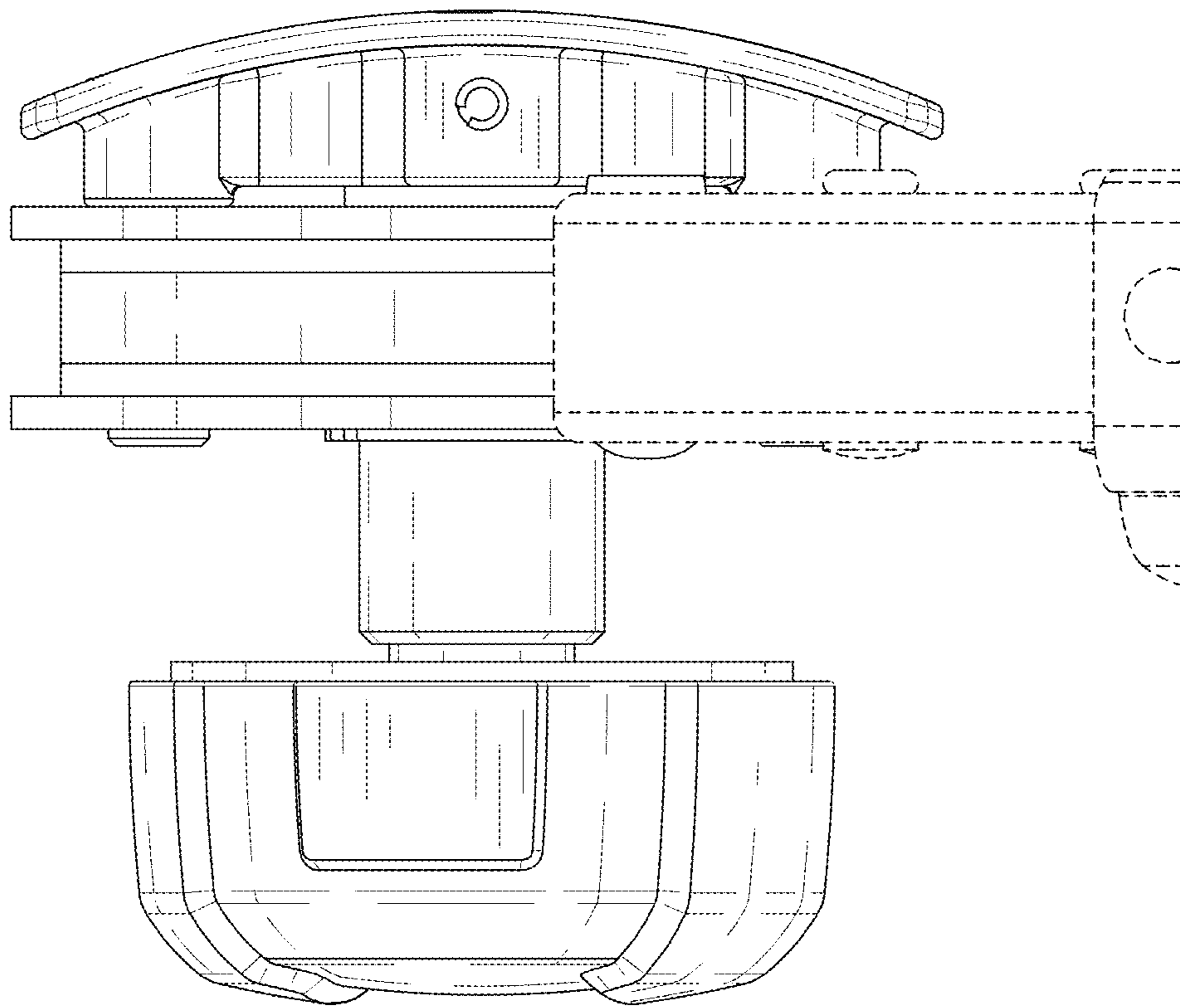


FIG. 5

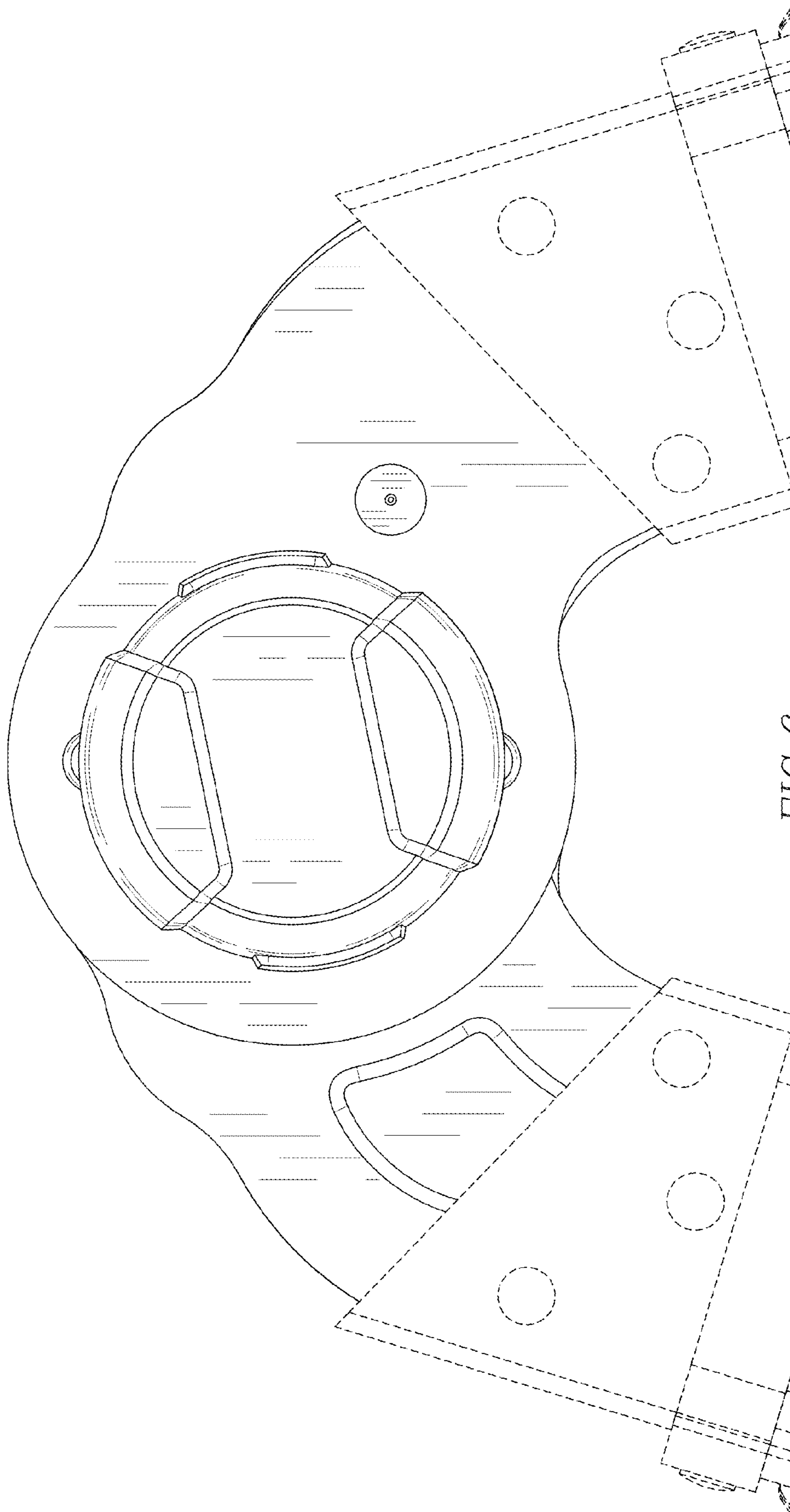


FIG. 6

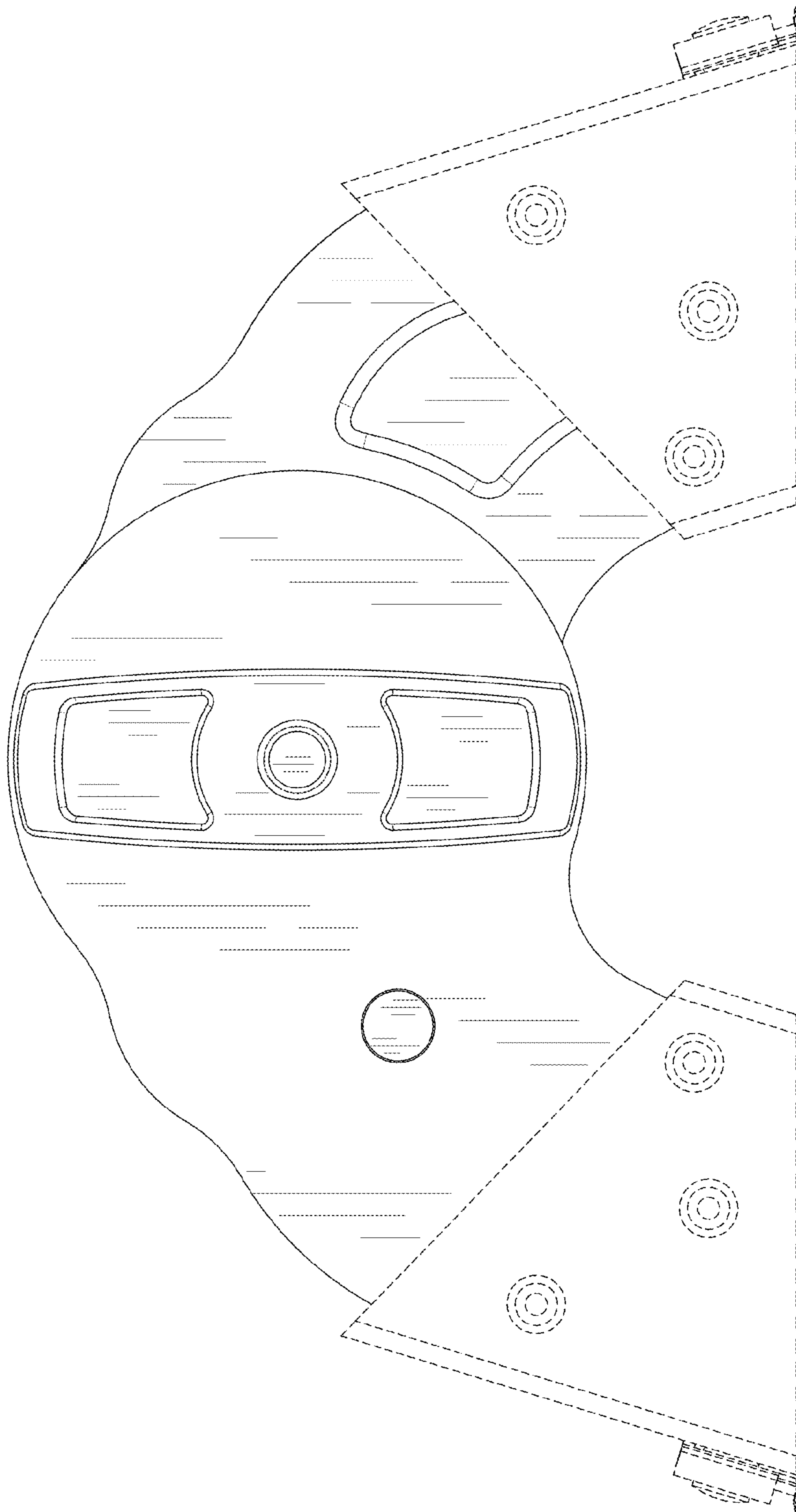


FIG. 7



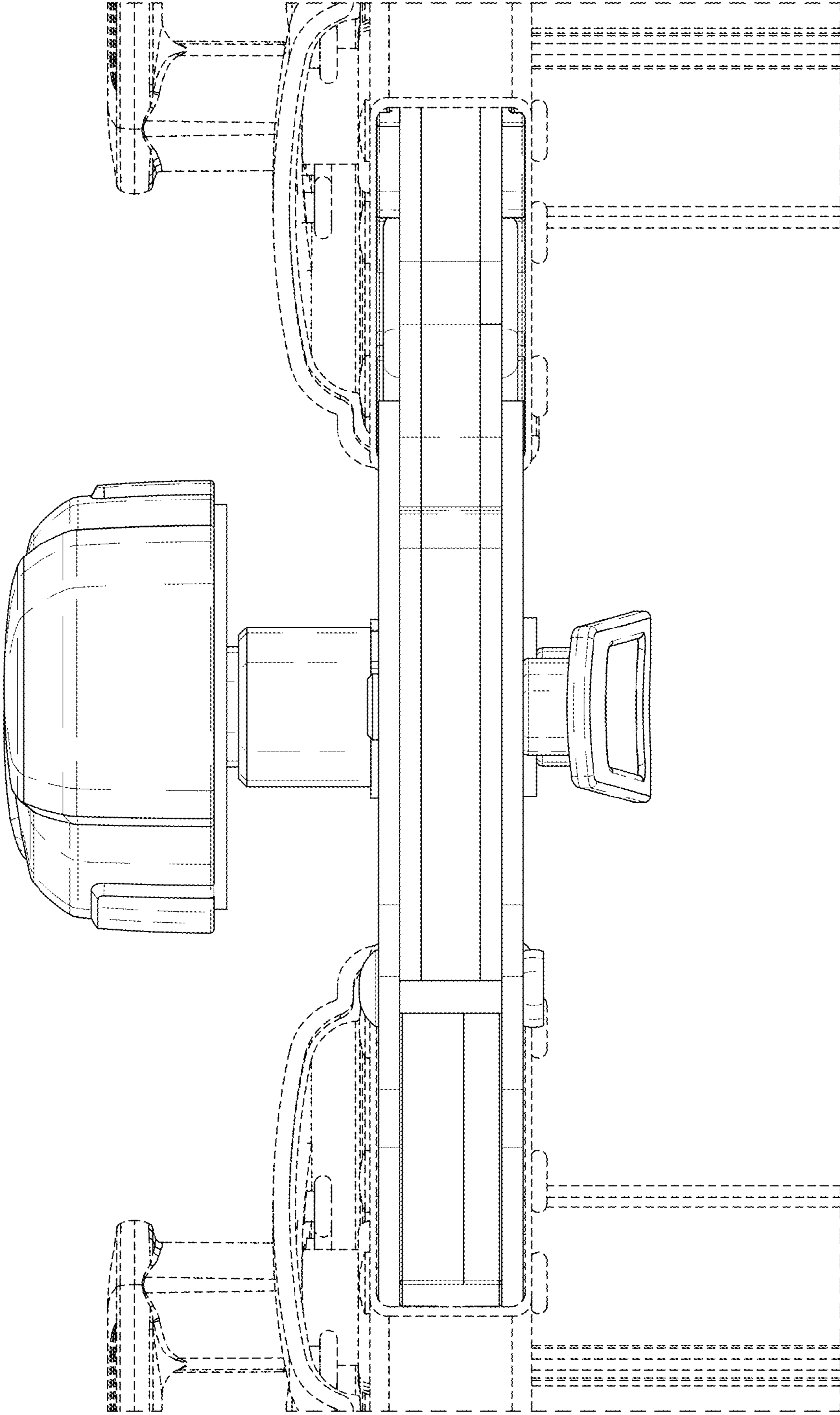


FIG. 8

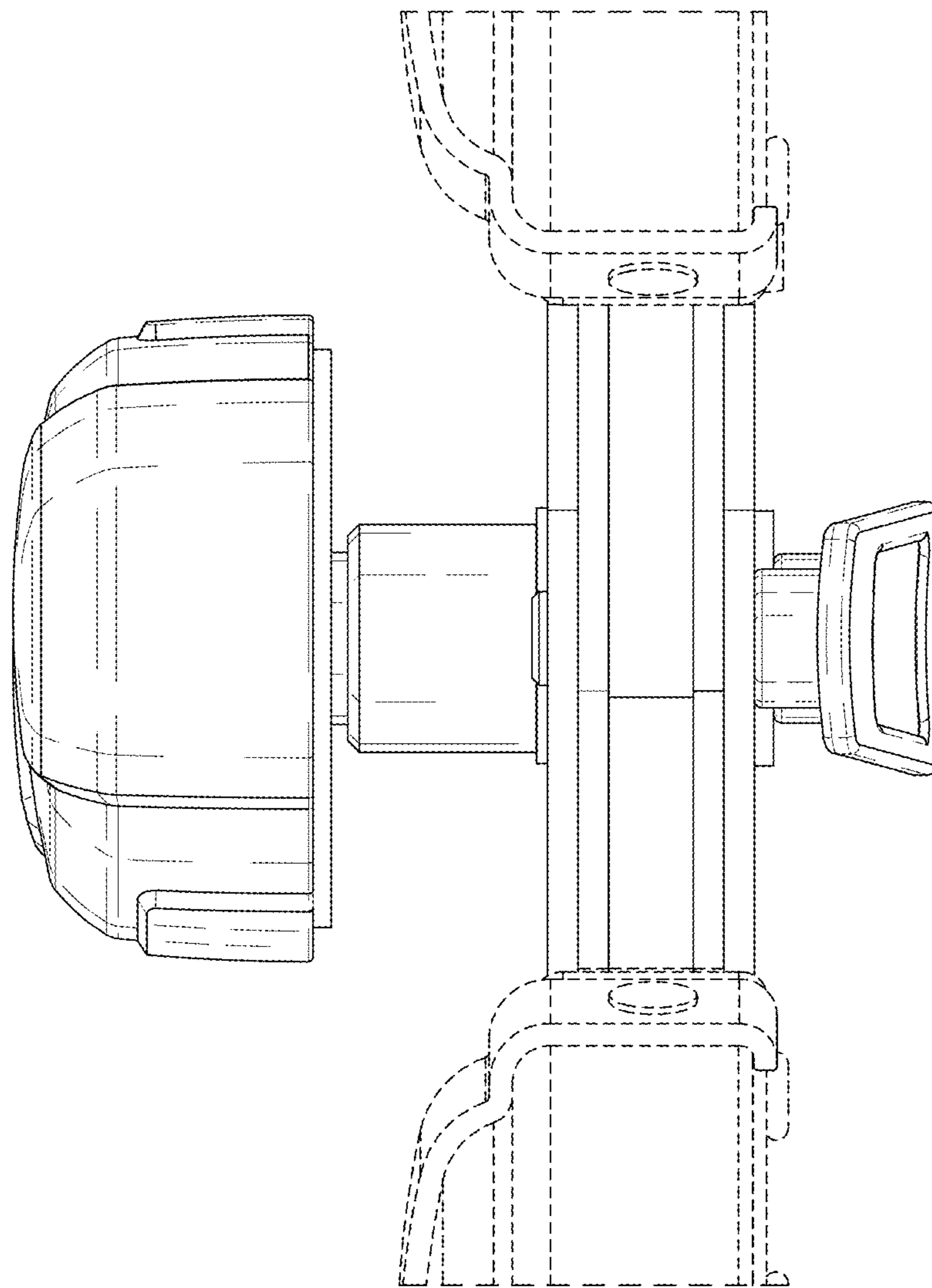


FIG. 9