



US00D966556S

(12) **United States Design Patent** (10) **Patent No.:** **US D966,556 S**
Barker (45) **Date of Patent:** **** Oct. 11, 2022**

(54) **LADDER**
(71) Applicant: **MURPHY LADDER LLC**, West Haven, UT (US)
(72) Inventor: **Jeremy Barker**, Morgan, UT (US)
(73) Assignee: **MURPHY LADDER LLC**
(**) Term: **15 Years**

Primary Examiner — Gino Colan
(74) *Attorney, Agent, or Firm* — The Belles Group, P.C.

(21) Appl. No.: **29/716,974**
(22) Filed: **Dec. 13, 2019**
(51) **LOC (13) Cl.** **25-04**
(52) **U.S. Cl.**
USPC **D25/64**
(58) **Field of Classification Search**
USPC D25/62–65, 68, 69
CPC E06C 1/39; E06C 1/32
See application file for complete search history.

(57) **CLAIM**
The ornamental design for a ladder, as shown and described.

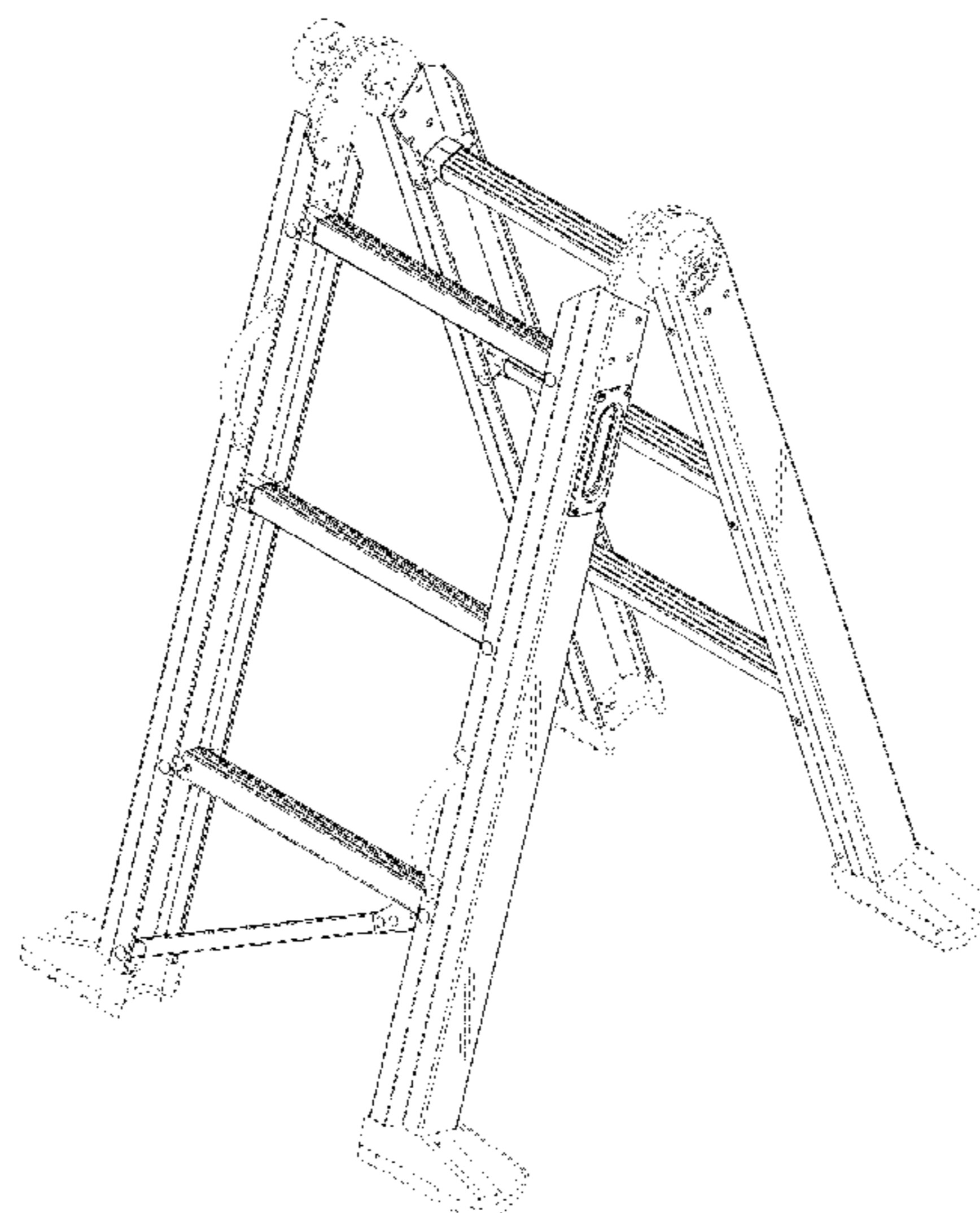
DESCRIPTION

FIG. 1 is a front perspective view of a ladder according to a first embodiment of my new design;
FIG. 2 is a rear perspective view thereof;
FIG. 3 is a front view thereof;
FIG. 4 is a rear view thereof;
FIG. 5 is a right side view thereof;
FIG. 6 is a left side view thereof;
FIG. 7 is a top view thereof;
FIG. 8 is bottom view thereof;
FIG. 9 is a front perspective view of a ladder according to a second embodiment of my new design;
FIG. 10 is a rear perspective view thereof;
FIG. 11 is a front view thereof;
FIG. 12 is a rear view thereof;
FIG. 13 is a right side view thereof;
FIG. 14 is a left side view thereof;
FIG. 15 is a top view thereof;
FIG. 16 is bottom view thereof;
FIG. 17 is a front perspective view of a ladder according to a third embodiment of my new design;
FIG. 18 is a rear perspective view thereof;
FIG. 19 is a front view thereof;
FIG. 20 is a rear view thereof;
FIG. 21 is a right side view thereof;
FIG. 22 is a left side view thereof;
FIG. 23 is a top view thereof; and,
FIG. 24 is bottom view thereof.
The broken lines illustrate portions of the ladder that form no part of the claimed design.

(56) **References Cited**
U.S. PATENT DOCUMENTS
2,088,878 A 8/1937 Stogner
D161,319 S 12/1950 Cope et al.
D165,373 S 12/1951 Hayes
3,042,019 A 7/1962 Taylor
3,722,622 A 3/1973 Luring
4,560,030 A 12/1985 Mucelli
4,815,564 A 3/1989 Yoo
5,158,151 A 10/1992 Chang
5,353,892 A 10/1994 Lu
5,403,091 A 4/1995 Thomas
6,220,389 B1 * 4/2001 Krause E06C 1/22
182/163
6,330,733 B1 12/2001 Rauschenberger
(Continued)

FOREIGN PATENT DOCUMENTS
CN 101173597 5/2008
CN 102206989 10/2011
(Continued)

1 Claim, 24 Drawing Sheets



(56)

References Cited

U.S. PATENT DOCUMENTS

6,343,406	B1	2/2002	Yeh	
6,390,237	B1	5/2002	Kim et al.	
6,536,558	B2	3/2003	Price	
6,769,515	B2	8/2004	Hillebrecht et al.	
6,988,842	B2	1/2006	Miller et al.	
7,007,344	B2	3/2006	Lee	
7,128,187	B2	10/2006	Simpson	
7,140,072	B2	11/2006	Leng	
7,188,706	B2	3/2007	Simpson	
7,234,203	B2	6/2007	Latimer et al.	
D553,757	S	10/2007	Moss et al.	
D560,001	S *	1/2008	Moss	D25/68
7,364,017	B2	4/2008	Moss et al.	
7,424,933	B2	9/2008	Weiss	
8,186,481	B2	5/2012	Moss et al.	
8,191,685	B1	6/2012	Geiselman, III	
8,365,865	B2	2/2013	Moss et al.	
8,381,873	B2	2/2013	Cross et al.	
8,701,831	B2	4/2014	Moss et al.	
D710,031	S	7/2014	Simpson et al.	
8,851,233	B2	10/2014	Murphy	
8,973,710	B2	3/2015	Moss et al.	
9,016,434	B2	4/2015	Moss et al.	
9,027,711	B2	5/2015	Lonergan et al.	
9,068,394	B1	6/2015	Geiselman, III	
9,097,063	B2	8/2015	Parker	
9,163,455	B2	10/2015	Moss et al.	
9,422,767	B2	8/2016	Russell et al.	
D766,461	S	9/2016	Moss et al.	
D766,462	S	9/2016	Moss et al.	
D766,463	S	9/2016	Moss et al.	
9,568,146	B1	2/2017	LaCroix	
9,663,989	B2	5/2017	Moss et al.	
9,752,334	B2	9/2017	Foley et al.	
9,784,033	B2	10/2017	Moss et al.	
9,797,194	B2	10/2017	Moss et al.	
D804,566	S	12/2017	Wilczynski	
9,869,125	B2	1/2018	Simpson et al.	
9,879,480	B2	1/2018	Gallup et al.	
9,920,572	B2	3/2018	Moss et al.	
D829,346	S	9/2018	Moss et al.	
D833,633	S	11/2018	Walker	
10,118,635	B2	11/2018	Jones et al.	
10,138,679	B2	11/2018	Russell et al.	
10,138,680	B2	11/2018	Williams et al.	
10,145,176	B2	12/2018	Moss et al.	
D838,385	S	1/2019	Moss et al.	
D840,055	S	2/2019	Skubic et al.	
10,214,961	B2	2/2019	Moss et al.	
10,233,692	B2	3/2019	Nguyen et al.	
10,233,693	B2	3/2019	Moss et al.	
10,294,720	B2	5/2019	Kieffer et al.	
10,331,287	B2	6/2019	Fard et al.	
D855,833	S	8/2019	Foley et al.	
D860,476	S	9/2019	Foley et al.	
10,487,576	B2	11/2019	Ballard et al.	

10,487,578	B2	11/2019	Smith et al.	
10,501,990	B2	12/2019	Moss et al.	
10,518,796	B2	12/2019	Jones et al.	
10,590,702	B2	3/2020	Major et al.	
D908,924	S *	1/2021	Melton	D25/64
D914,912	S *	3/2021	Barker	D25/65
2006/0213721	A1	9/2006	Uttaro et al.	
2015/0090533	A1	4/2015	Moss et al.	
2016/0123079	A1	5/2016	Ballard et al.	
2017/0030142	A1	2/2017	Russell et al.	
2017/0204663	A1	7/2017	Miao	
2017/0356244	A1	12/2017	Peterson et al.	
2018/0252037	A1	9/2018	Leng	
2018/0274296	A1	9/2018	Foley et al.	
2018/0298691	A1	10/2018	Cook et al.	
2018/0347278	A1	12/2018	Russell et al.	
2019/0136627	A1	5/2019	Ikonen	
2019/0145170	A1	5/2019	Clark et al.	

FOREIGN PATENT DOCUMENTS

CN	202810626	3/2013
CN	103615188	3/2014
CN	203570191	4/2014
CN	203769635	8/2014
CN	204552584	8/2015
CN	105756547	7/2016
CN	105952367	9/2016
CN	106320964	1/2017
CN	206000439	3/2017
CN	206016656	3/2017
CN	106593286	4/2017
CN	206111066	4/2017
CN	206220840	6/2017
CN	206522094	9/2017
CN	206522098	9/2017
CN	107237598	10/2017
CN	107386951	11/2017
CN	107514225	12/2017
CN	107859473	3/2018
CN	207092943	3/2018
CN	207160956	3/2018
CN	207177712	4/2018
CN	108049798	5/2018
CN	207436890	6/2018
CN	207813474	9/2018
CN	108661540	10/2018
CN	108825116	11/2018
CN	108868574	11/2018
CN	208073344	11/2018
CN	208294411	12/2018
CN	109339691	2/2019
EP	2740880	5/2016
EP	2925948	8/2017
EP	3263827	2/2019
JP	2006-52603	2/2006
WO	17093978	6/2017
WO	18130166	7/2018

* cited by examiner

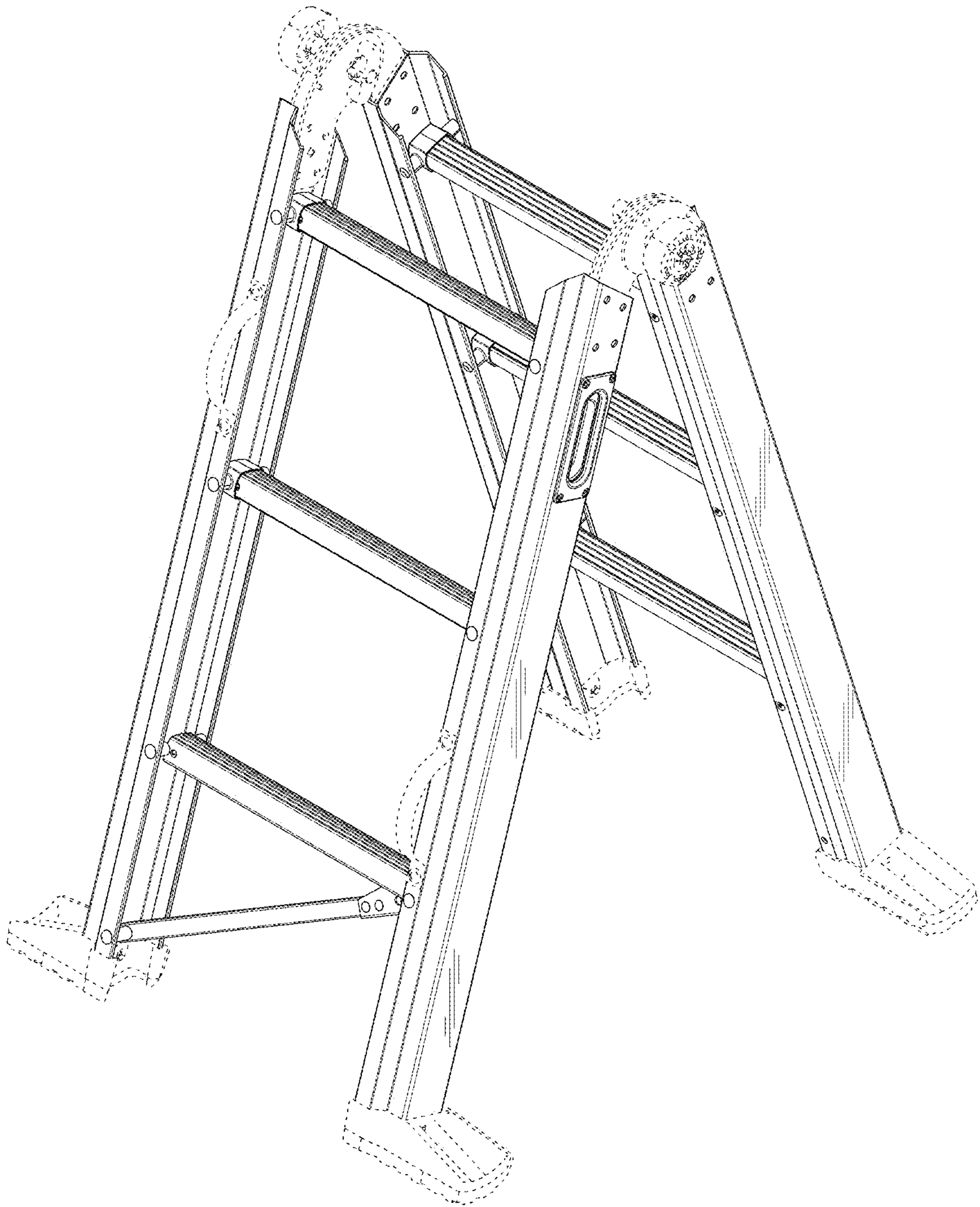


FIG. 1

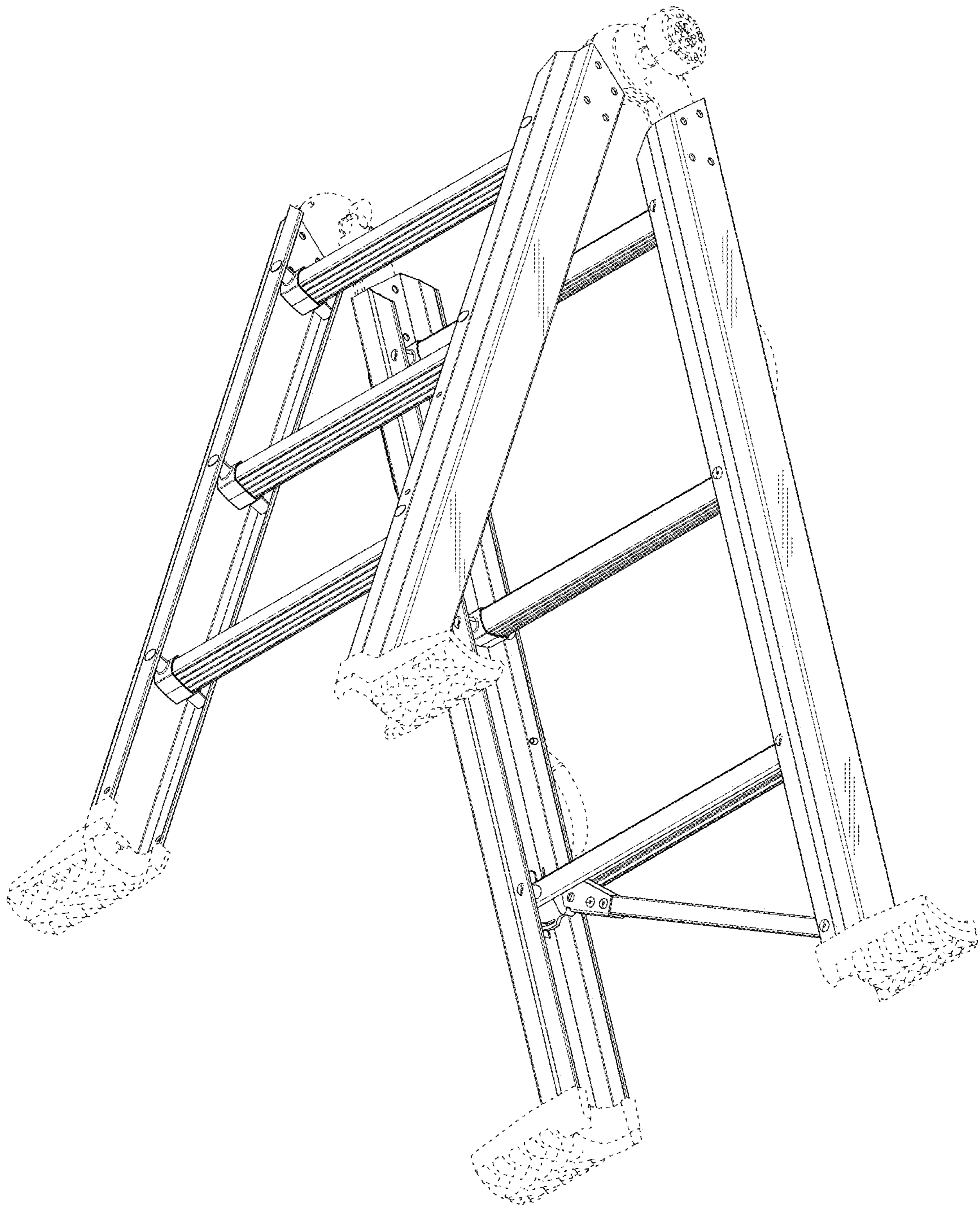


FIG. 2

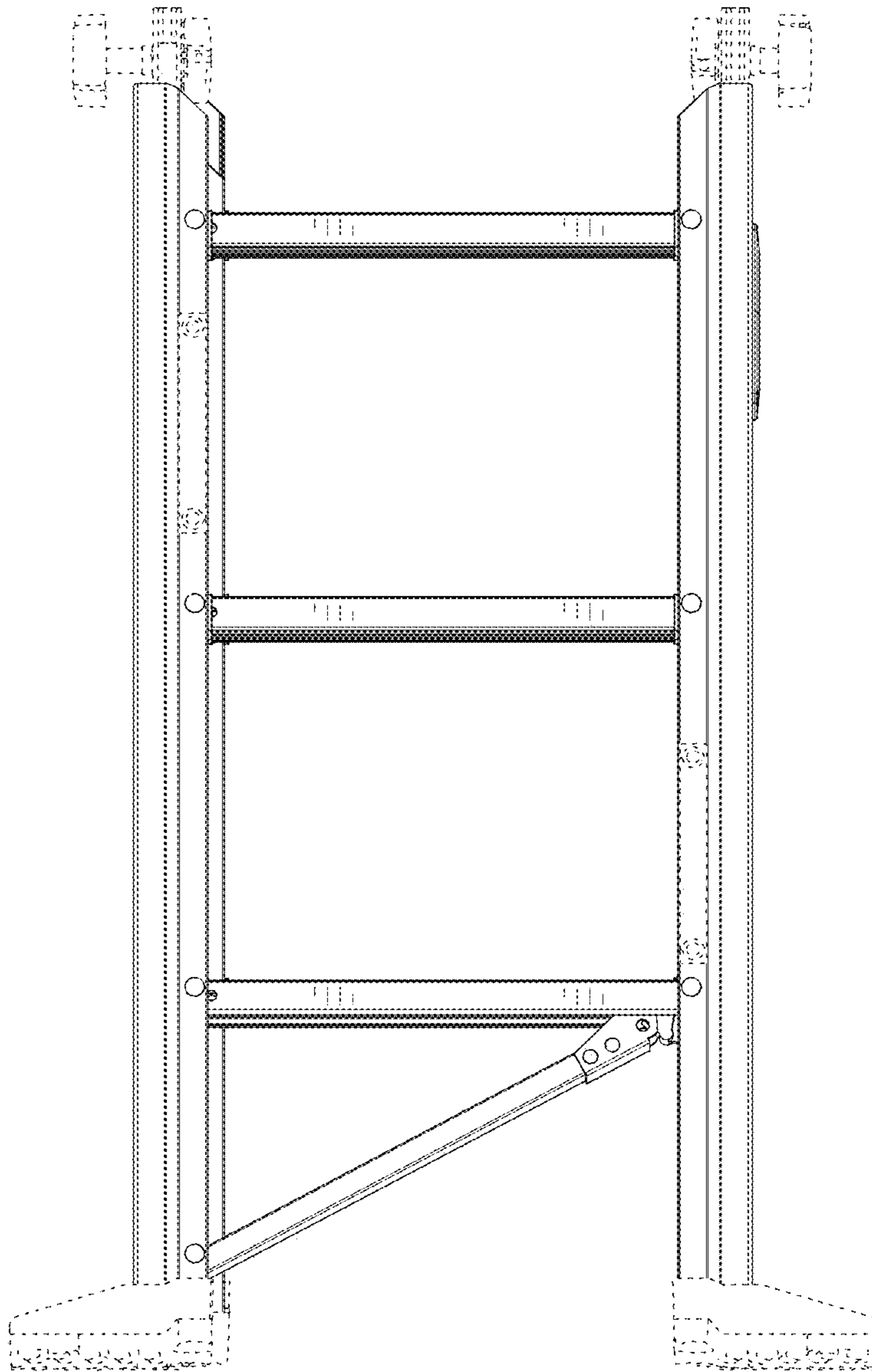


FIG. 3

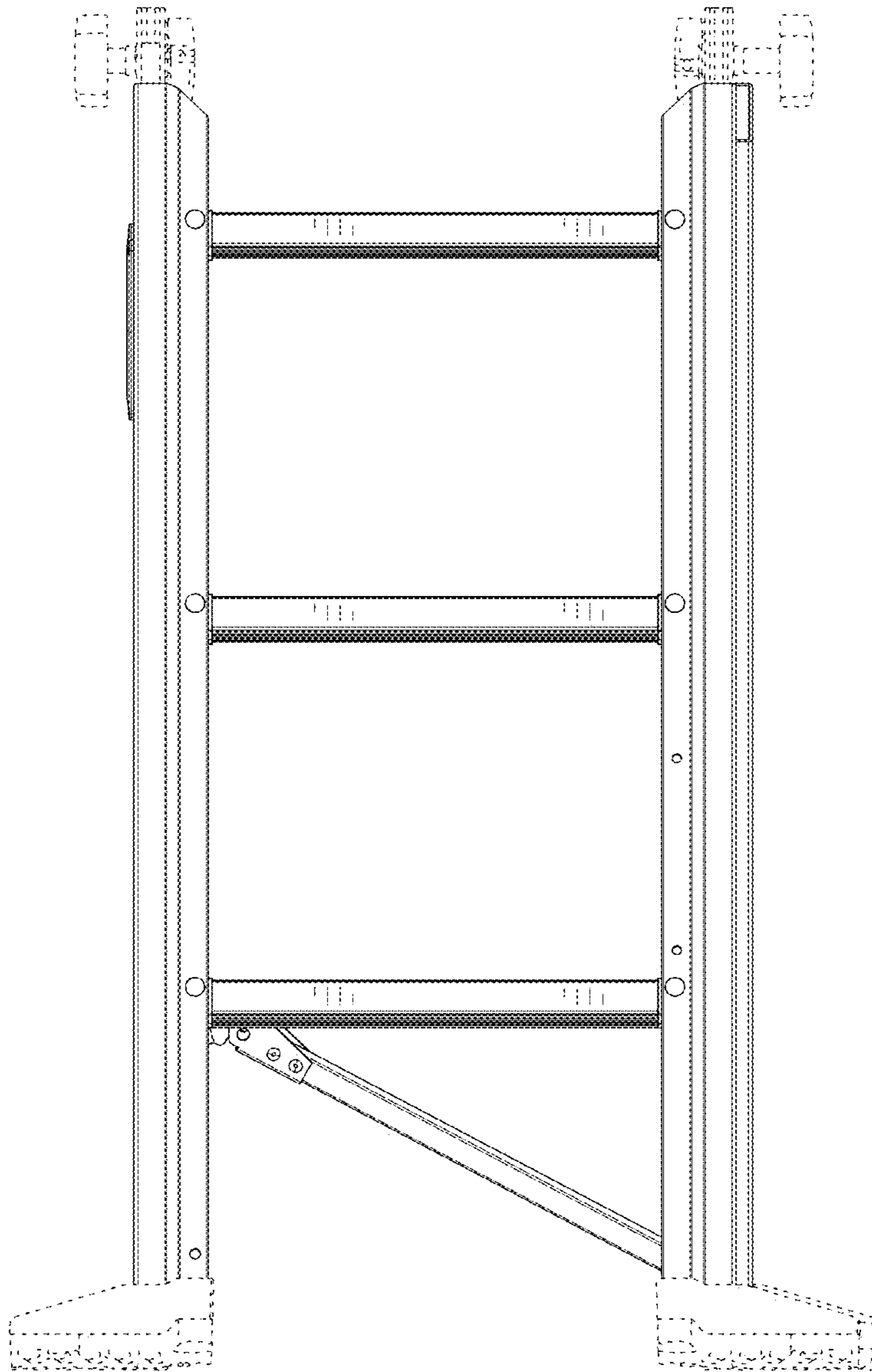


FIG. 4

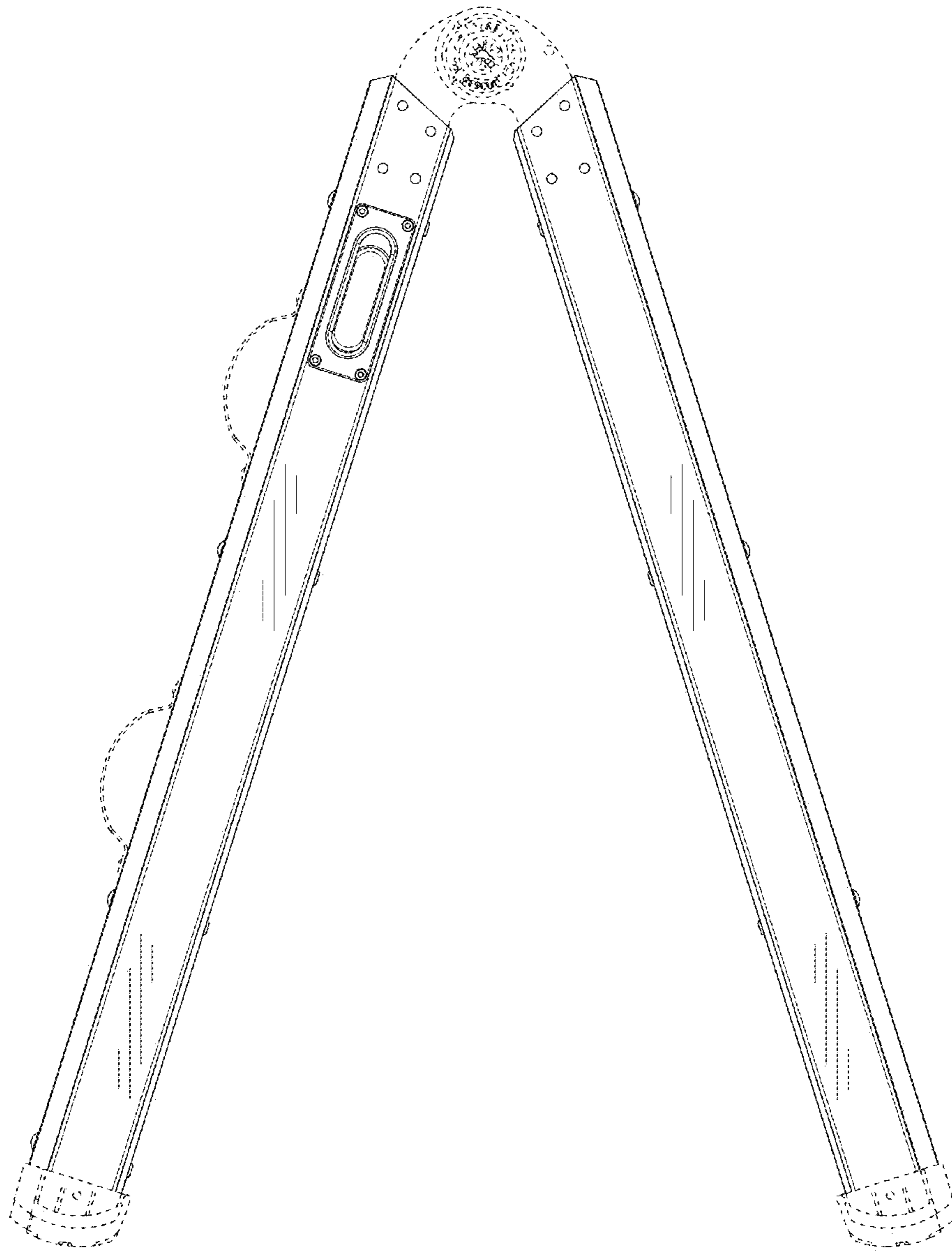


FIG. 5

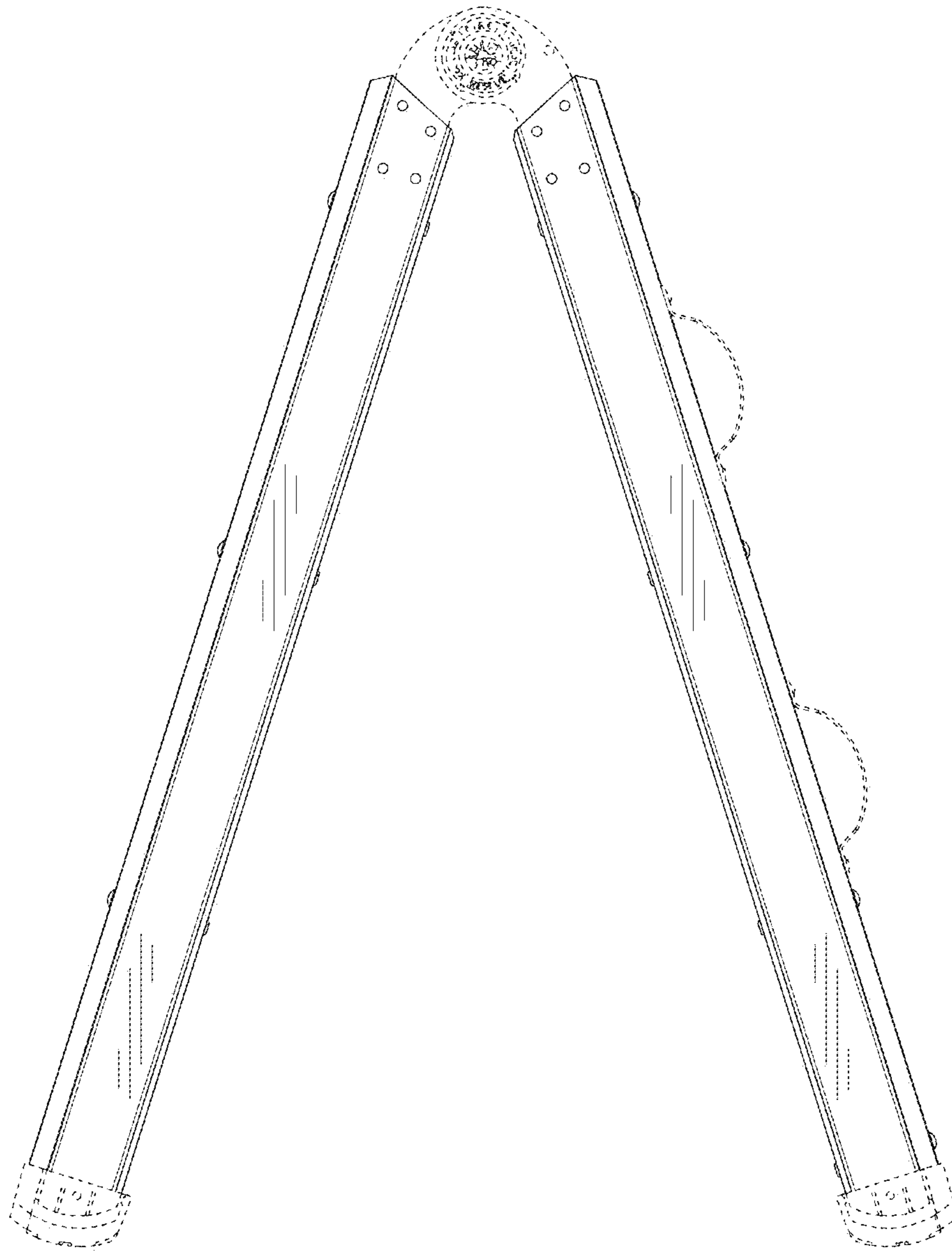


FIG. 6

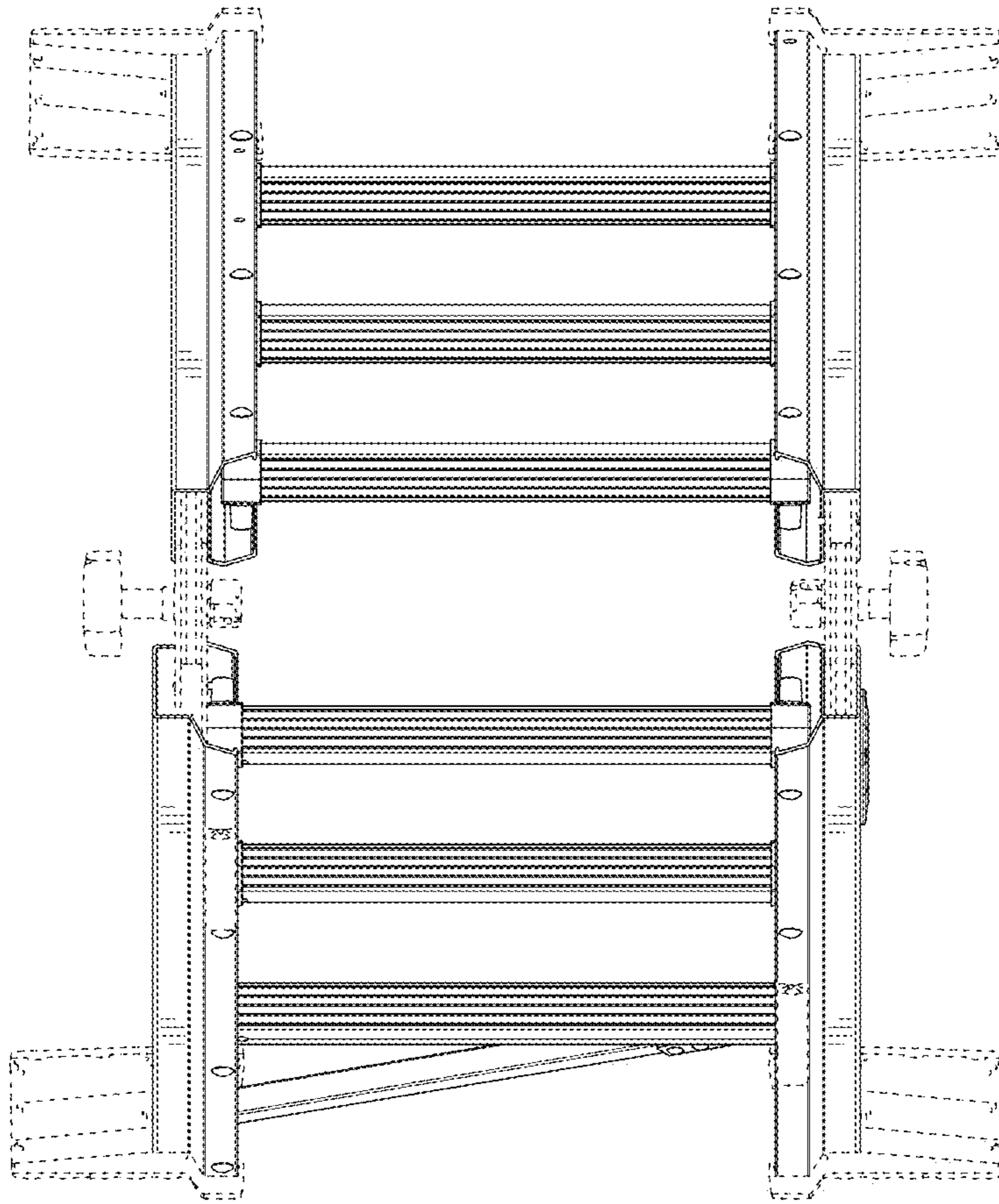


FIG. 7

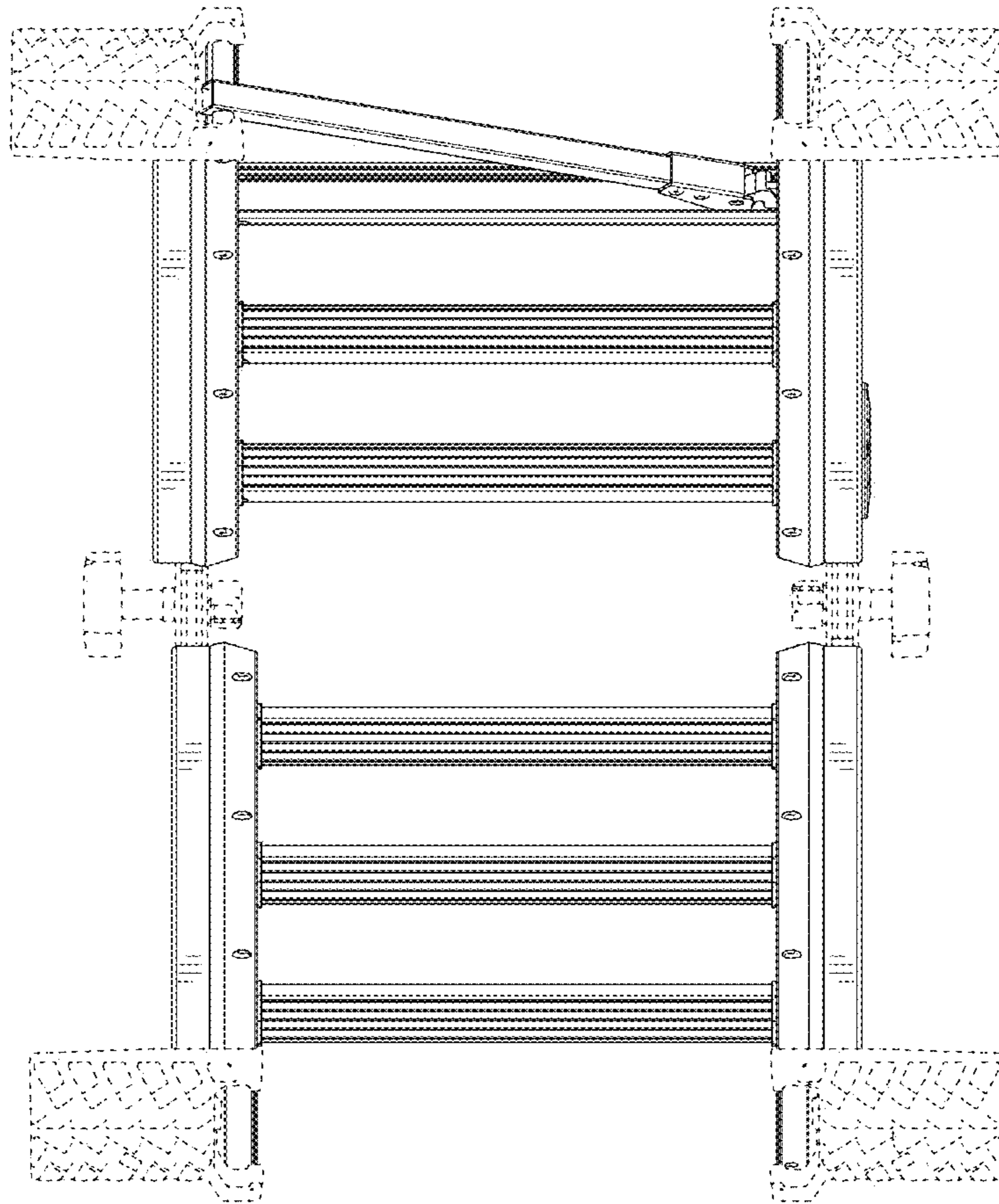


FIG. 8

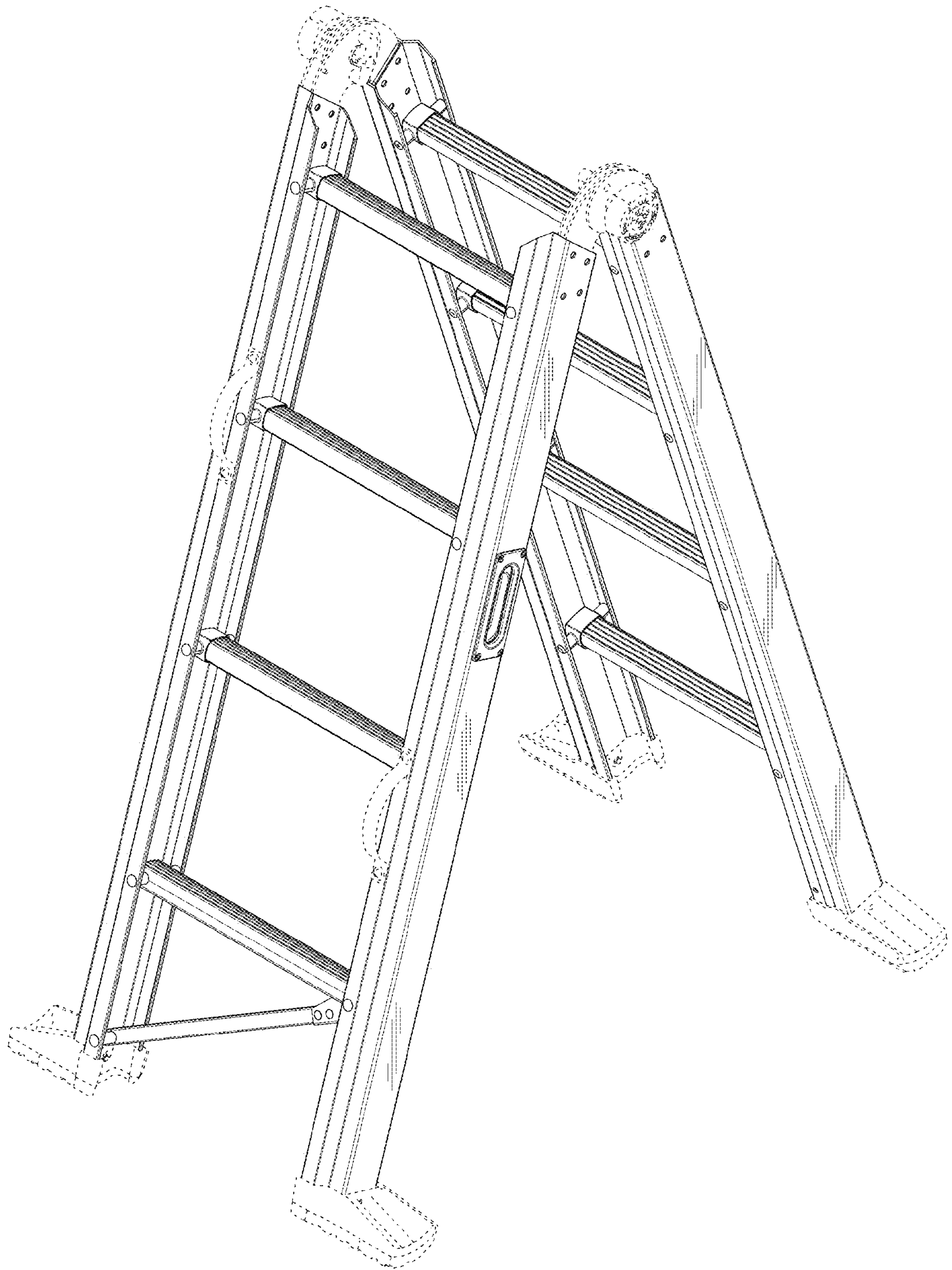


FIG. 9

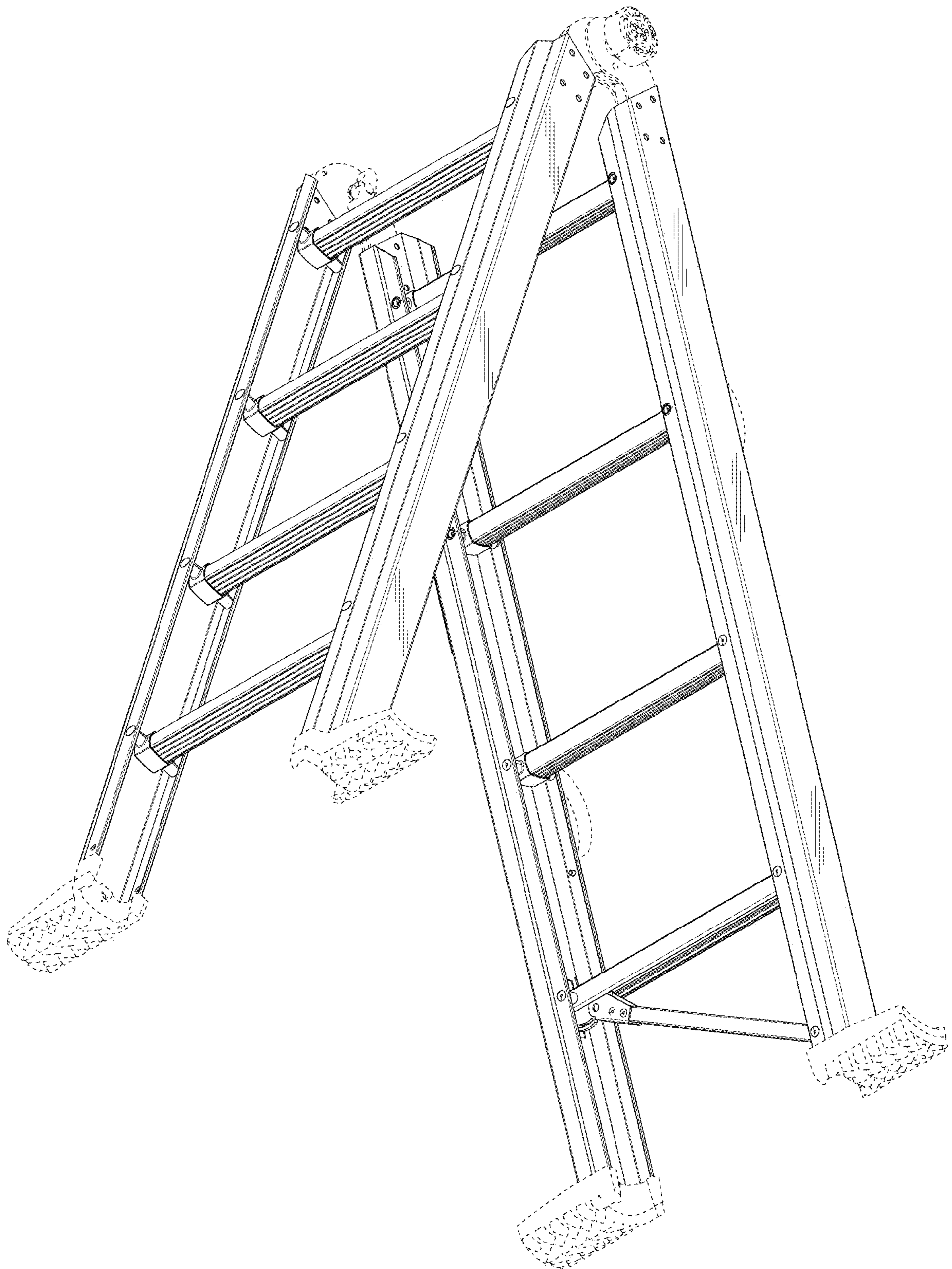


FIG. 10

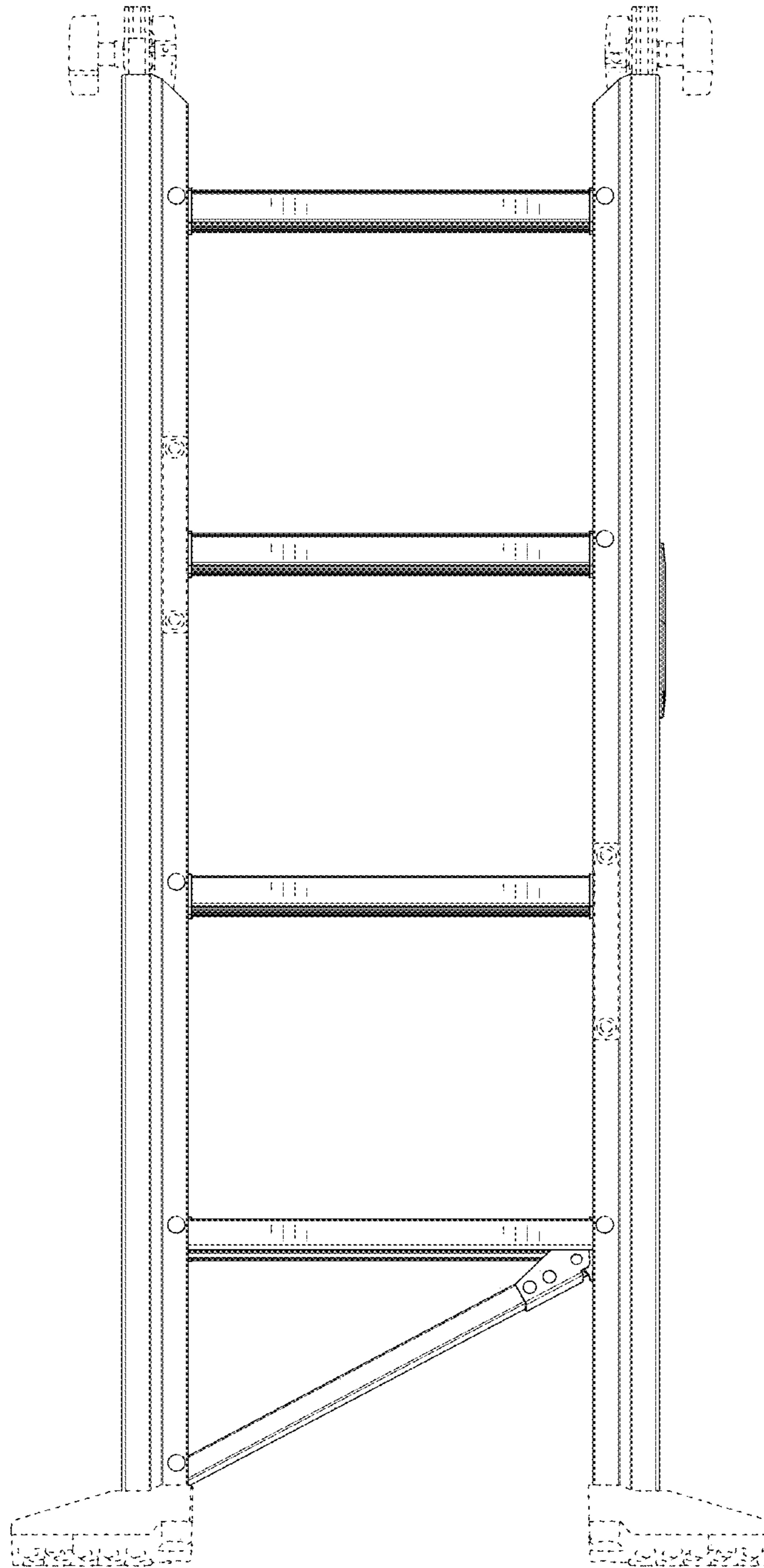


FIG. 11

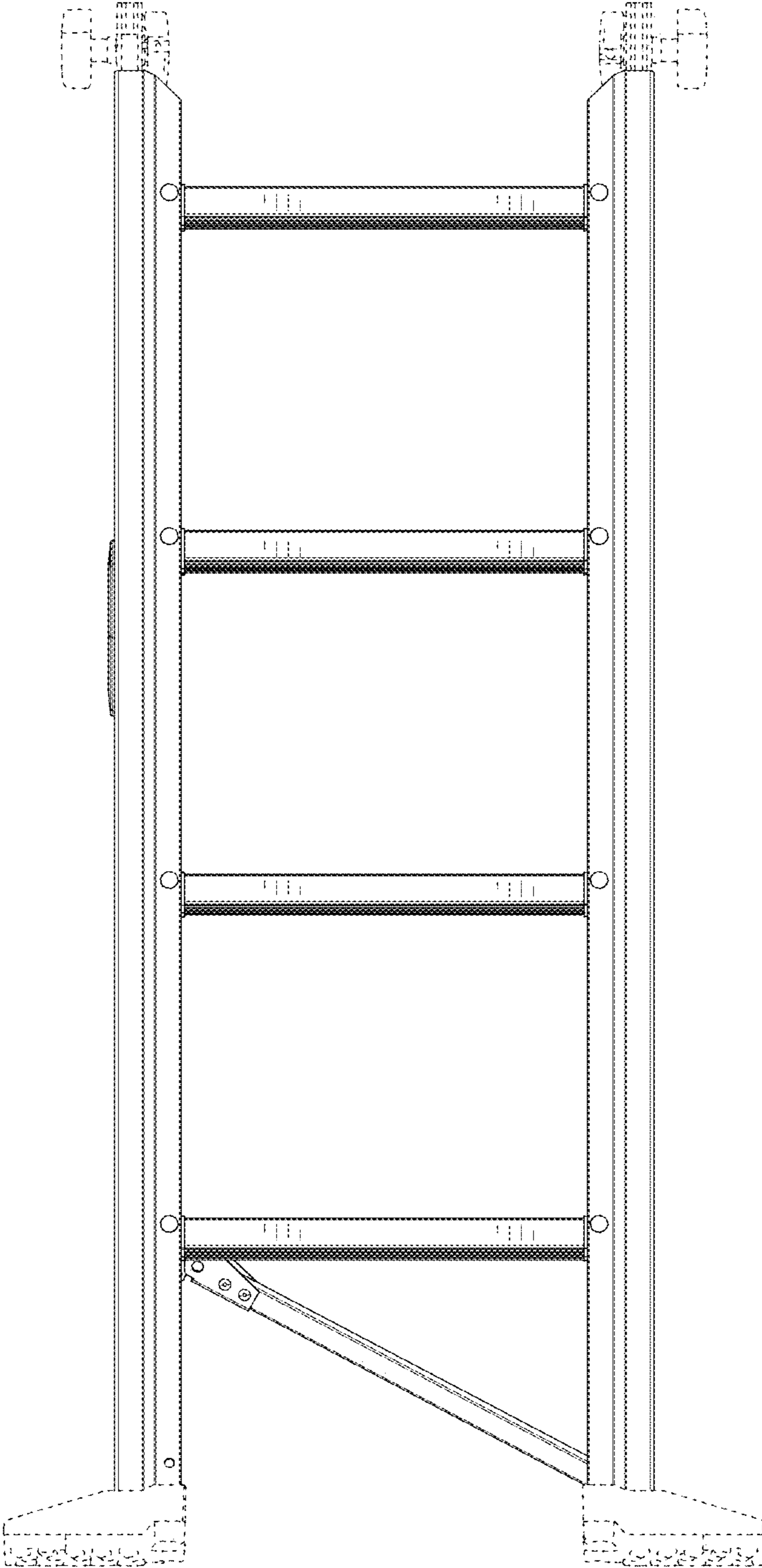


FIG. 12

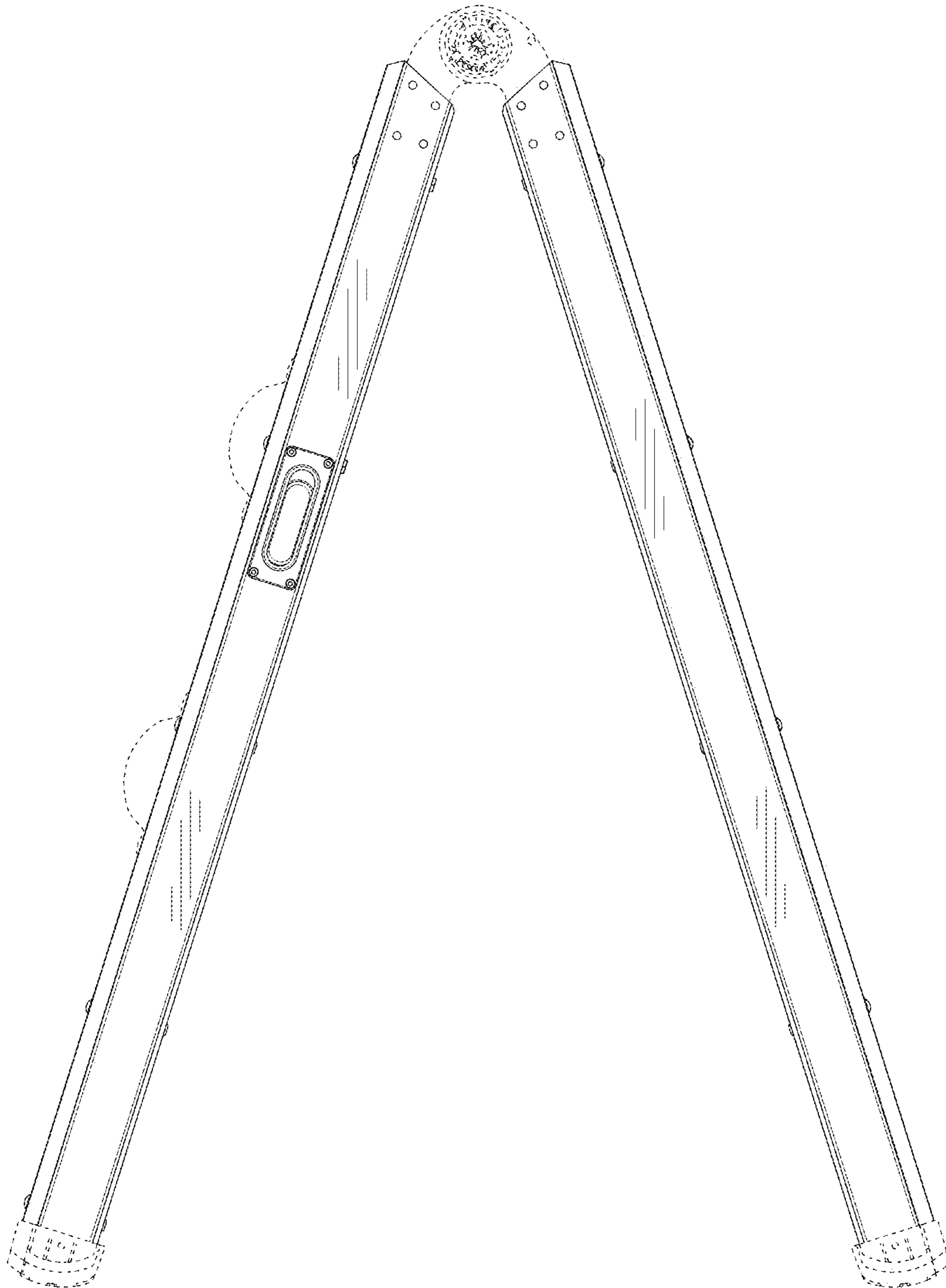


FIG. 13

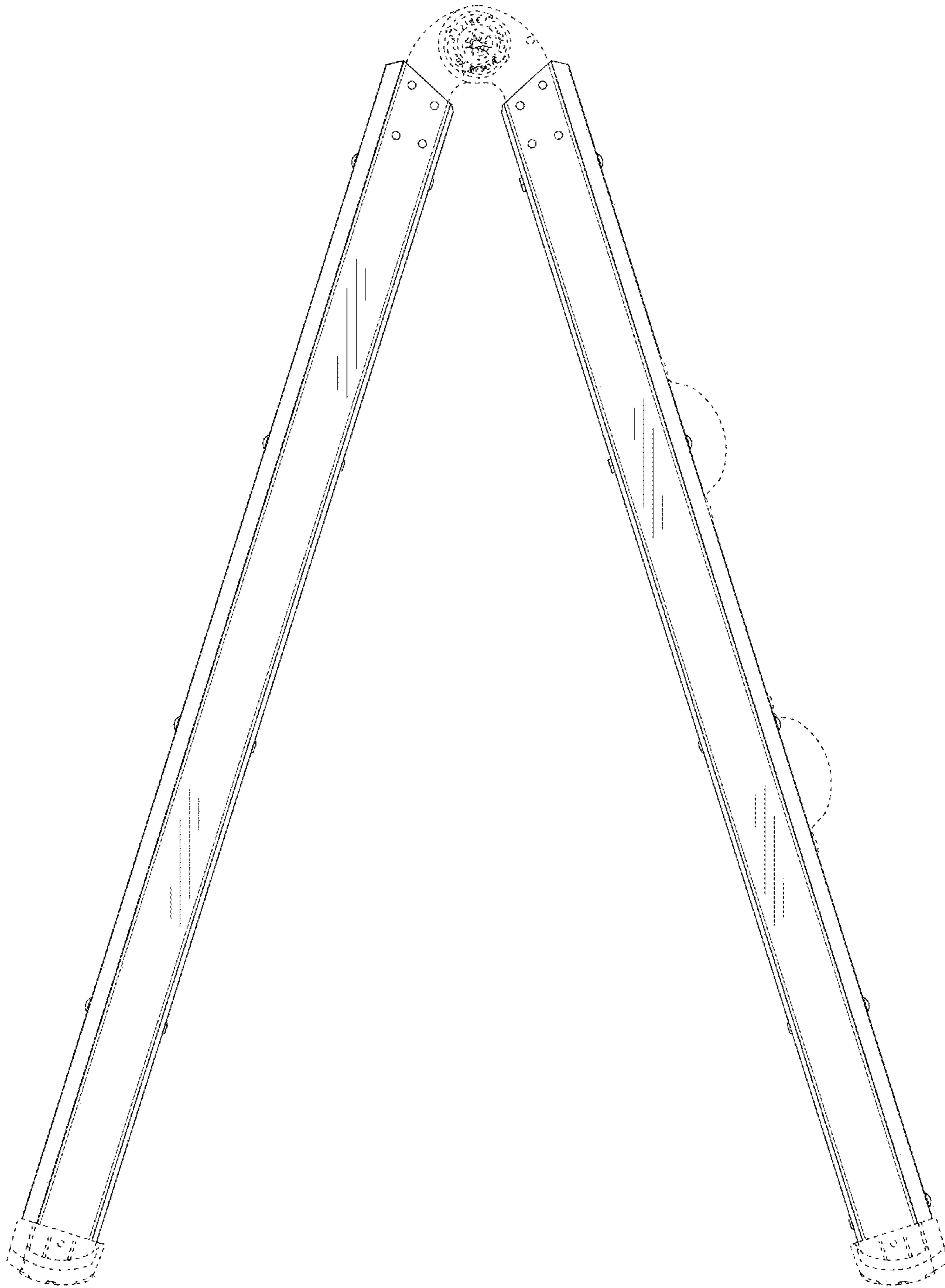


FIG. 14

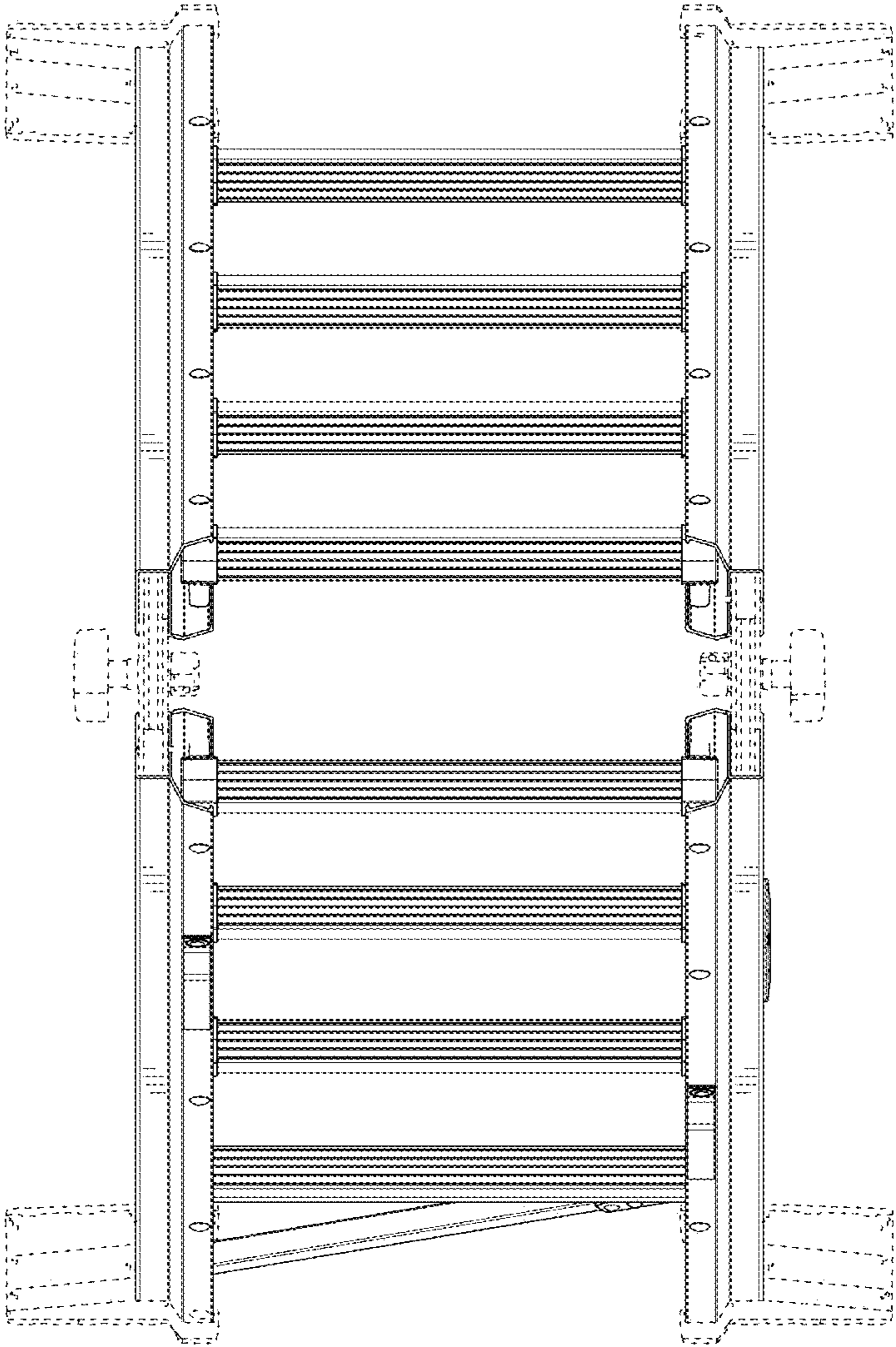


FIG. 15

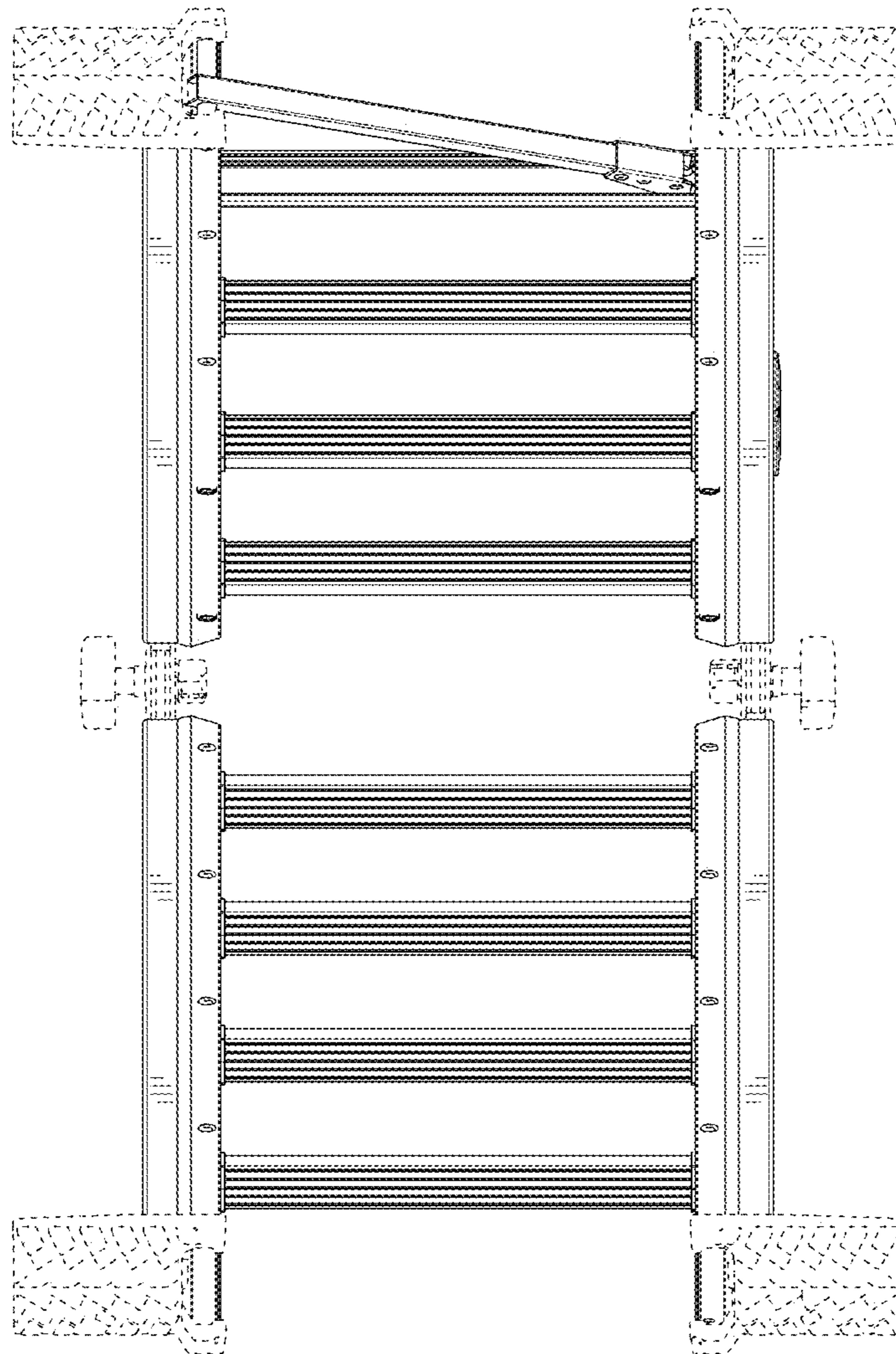


FIG. 16



FIG. 17

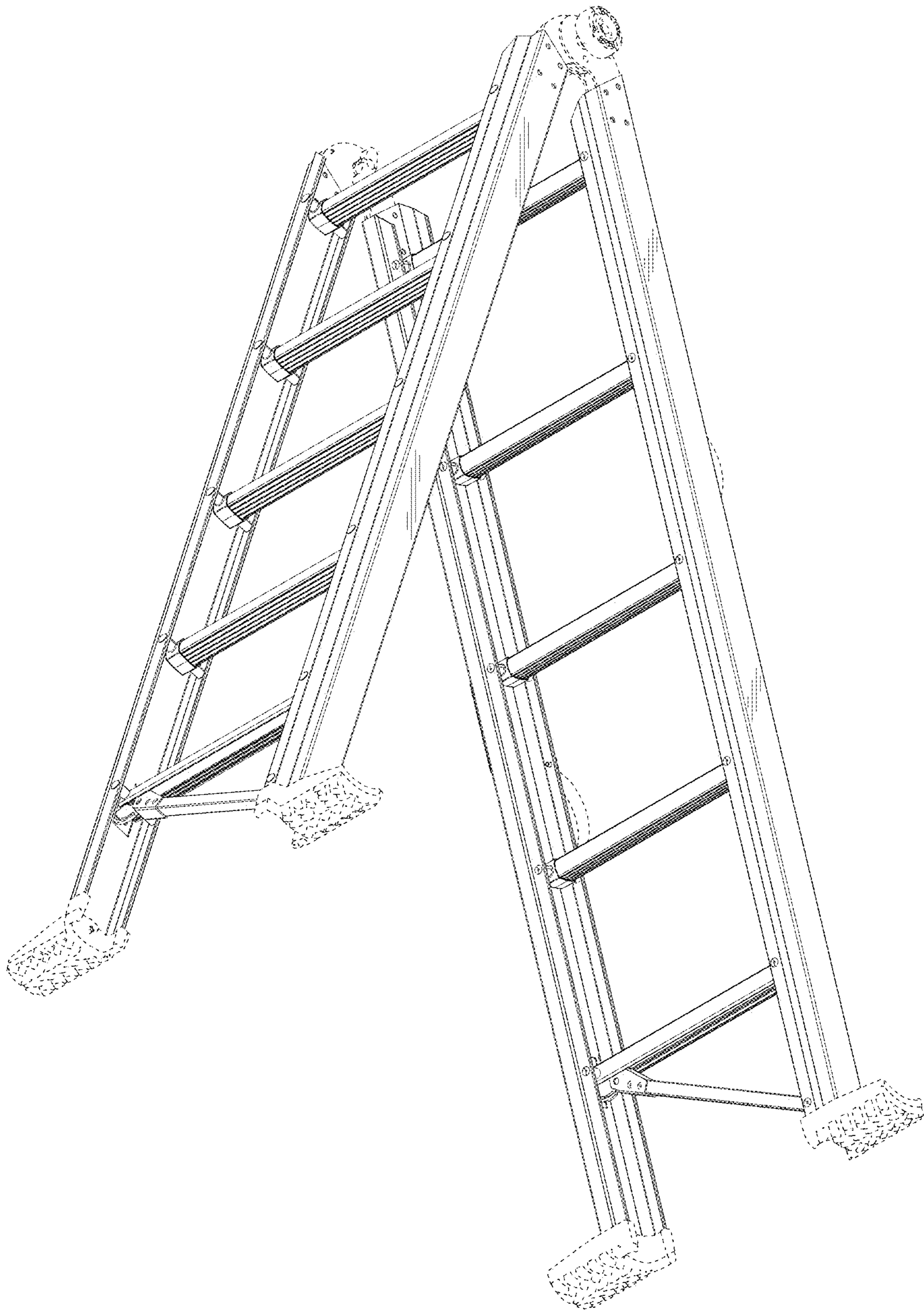


FIG. 18

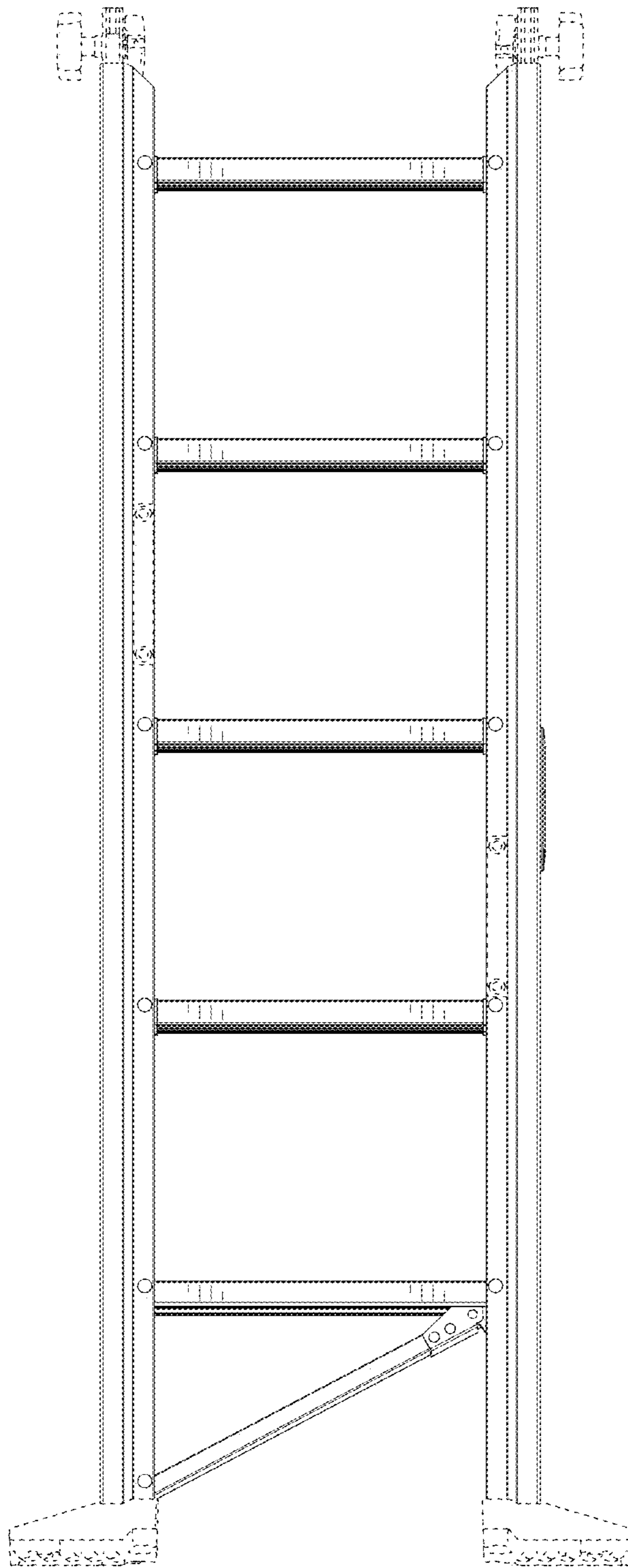


FIG. 19

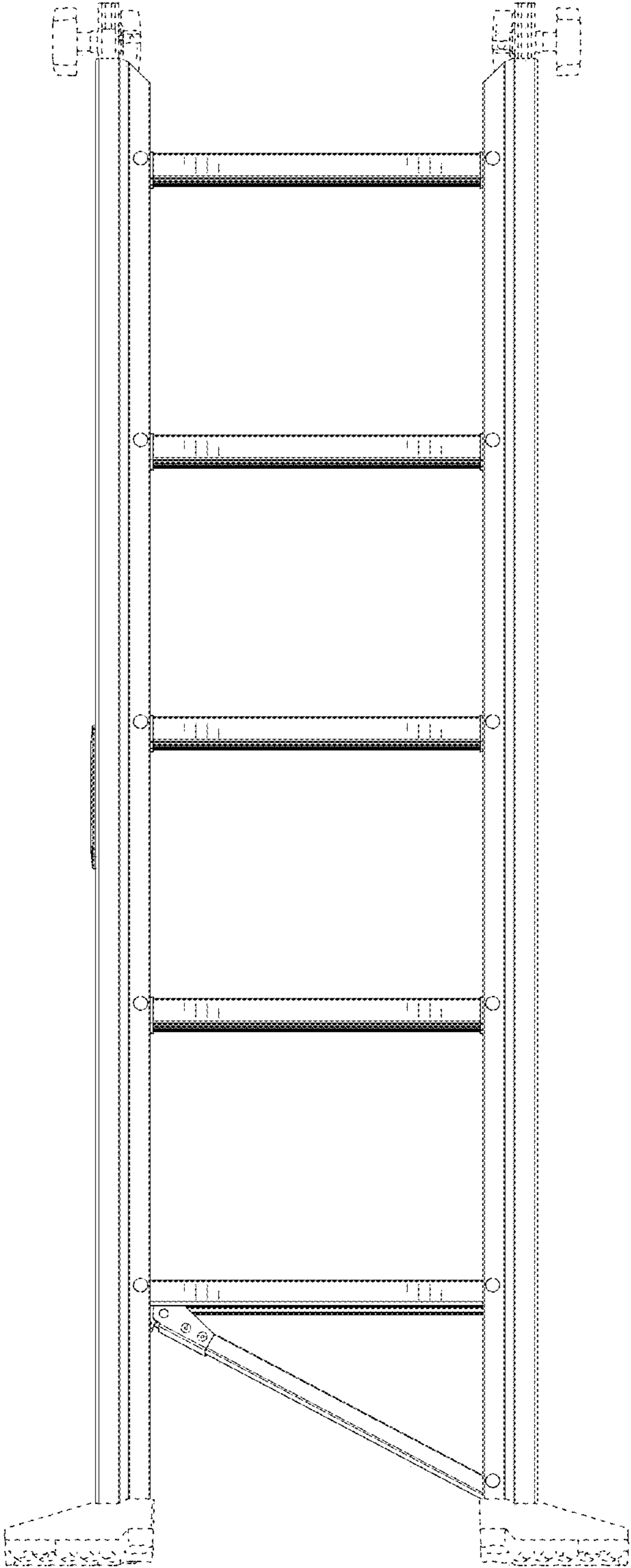


FIG. 20

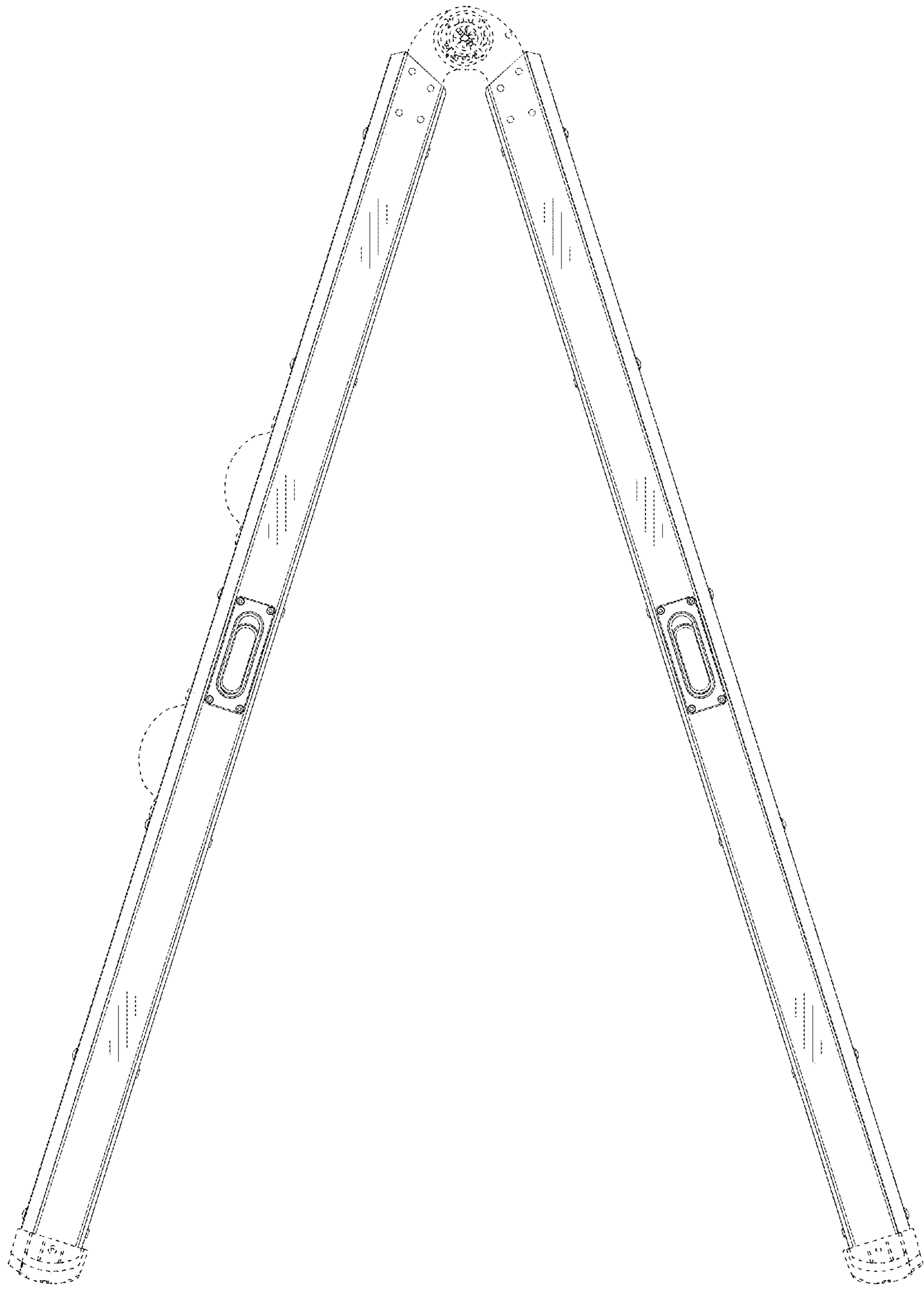


FIG. 21

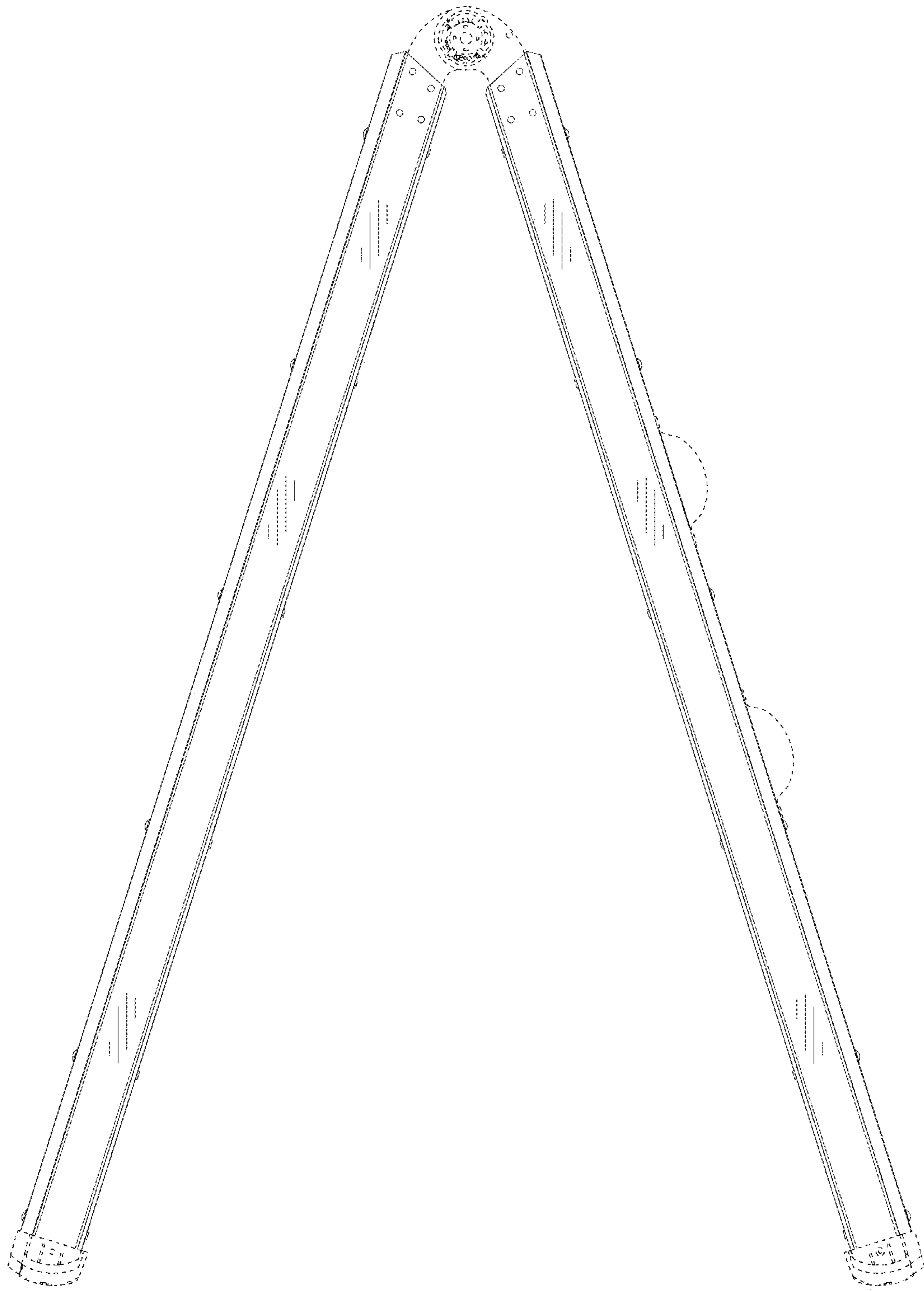


FIG. 22

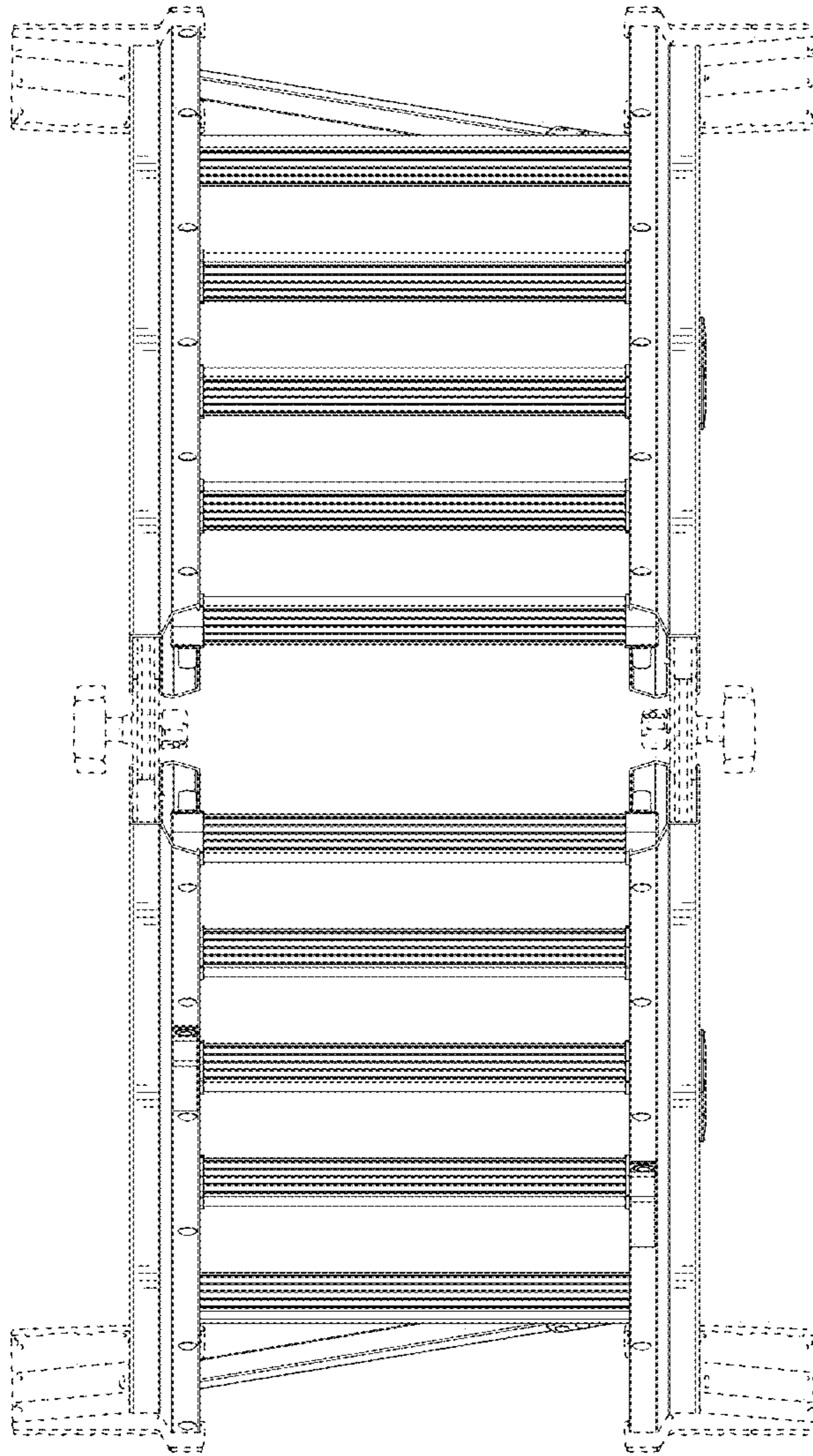


FIG. 23

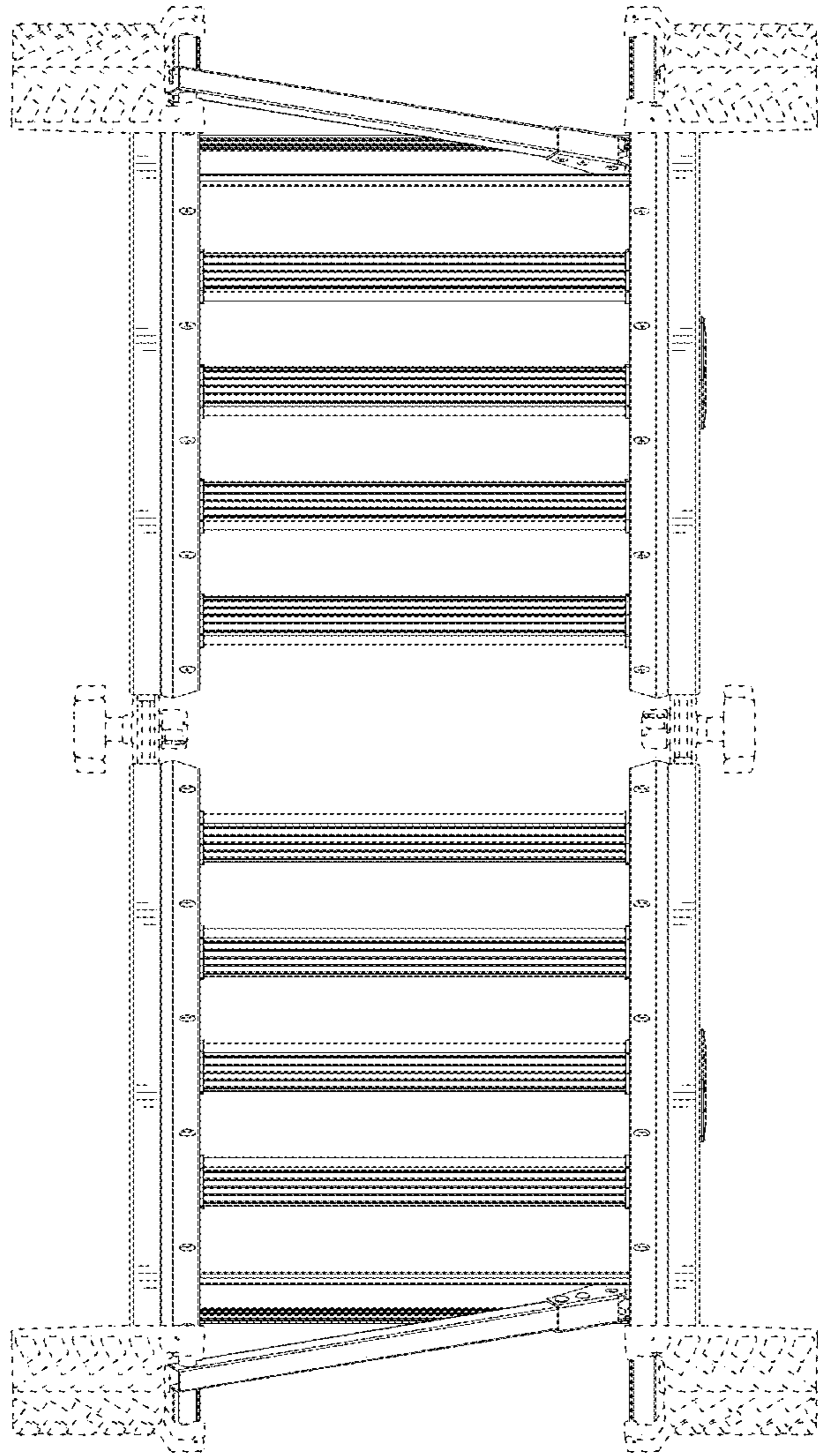


FIG. 24