

US00D96655S

(12) **United States Design Patent** (10) **Patent No.:** **US D966,555 S**  
**Walsh et al.** (45) **Date of Patent:** **\*\* Oct. 11, 2022**

(54) **DOOR**

(71) Applicant: **Masonite Corporation**, Tampa, FL (US)

(72) Inventors: **Jason M. Walsh**, Batavia, IL (US); **Dinara Etshman**, Wesley Chapel, FL (US)

(73) Assignee: **Masonite Corporation**, Tampa, FL (US)

(\*\*) Term: **15 Years**

(21) Appl. No.: **29/746,223**

(22) Filed: **Aug. 12, 2020**

(51) **LOC (13) Cl.** ..... **25-02**

(52) **U.S. Cl.**  
USPC ..... **D25/48.3**

(58) **Field of Classification Search**  
USPC ..... D25/48.1, 48.3, 48.4, 48.5, 138  
(Continued)

(56) **References Cited**

**U.S. PATENT DOCUMENTS**

D510,771 S \* 10/2005 Walsh ..... D25/138  
D526,418 S \* 8/2006 Walsh ..... D25/138  
(Continued)

**FOREIGN PATENT DOCUMENTS**

CA 146653 \* 10/2013  
CA 157635 \* 11/2015  
(Continued)

**OTHER PUBLICATIONS**

PDF Lowes 43121447 <http://pdf.lowes.com/productdocuments/9b27cc87-25c6-4e6f-95d1-238cf870fef9/43121447.pdf> Oct. 11, 2018 (Year: 2018).\*

(Continued)

*Primary Examiner* — Leanne Was-Englehart

(74) *Attorney, Agent, or Firm* — Berenato & White, LLC

(57) **CLAIM**

The ornamental design for a door, as shown and described.

**DESCRIPTION**

FIG. 1 is a front perspective view of a door according to our design;

FIG. 2 is a front elevational view thereof;

FIG. 3 is rear elevational view;

FIG. 4 is a front perspective view of another version of the door of FIG. 1;

FIG. 5 is a front elevational view thereof;

FIG. 6 is a rear elevational view;

FIG. 7 is a top view;

FIG. 8 is a bottom view;

FIG. 9 is a cross-sectional view taken along the line 9-9 of FIG. 2;

FIG. 10 is an enlarged view of the encircled portion of FIG. 9;

FIG. 11 is a cross-sectional view taken along the line 11-11 of FIG. 2;

FIG. 12 is an enlarged view of the encircled portion of FIG. 11;

FIG. 13 is a left side view;

FIG. 14 is a right side view;

FIG. 15 is a cross-sectional view taken along the line 15-15 of FIG. 2;

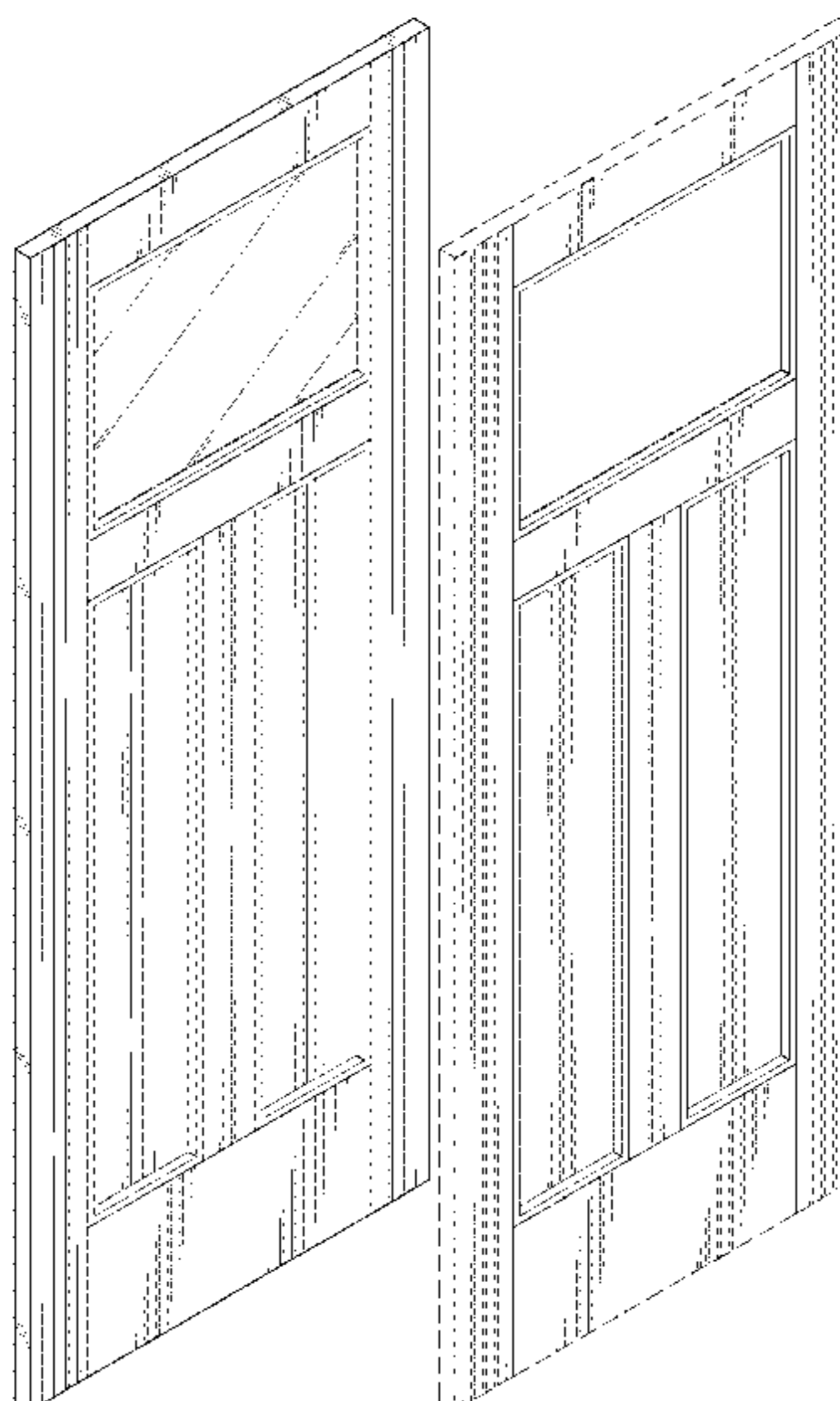
FIG. 16 is an enlarged view of the encircled portion of FIG. 15;

FIG. 17 is a front perspective view of a door according to our design; and,

FIG. 18 is a front elevational view thereof.

The evenly spaced dashed broken lines depict portions of the door that form no part of the claimed design. The dot-dot-dash broken line circles depict the limits of the enlarged views.

**1 Claim, 12 Drawing Sheets**



# US D966,555 S

Page 2

(58) **Field of Classification Search**

CPC . E06B 3/7001; E06B 3/70; E06B 3/78; E06B  
2003/7049; B27N 3/00; B27N 3/20;  
B27N 7/00; B27N 7/005; B32B 3/00;  
B32B 21/04; B32B 5/12

See application file for complete search history.

D884,921	S	*	5/2020	Alsdorf	.....	D25/48.3
10,920,481	B2	*	2/2021	Ege	.....	E06B 3/7001
D944,414	S	*	2/2022	Alsdorf	.....	D25/48.3
2016/0040476	A1	*	2/2016	Gouge	.....	E06B 3/78 428/156

(56)

**References Cited**

U.S. PATENT DOCUMENTS

D543,641	S	*	5/2007	Walsh	.....	D25/138
D576,289	S	*	9/2008	Steiber	.....	D25/48.3
D683,865	S	*	6/2013	Walsh	.....	D25/48.3
D687,164	S	*	7/2013	Walsh	.....	D25/48.3
D695,912	S	*	12/2013	Walsh	.....	D25/48.3
D698,040	S	*	1/2014	Walsh	.....	D25/48.3
D733,929	S	*	7/2015	Alsdorf	.....	D25/48.3
D736,410	S	*	8/2015	Alsdorf	.....	D25/48.3
D743,573	S	*	11/2015	Walsh	.....	D25/48.3
D745,702	S	*	12/2015	Walsh	.....	D25/48.3
9,534,440	B2	*	1/2017	Gouge	.....	B27N 3/20
D802,794	S	*	11/2017	Alsdorf	.....	D25/48.3
D852,982	S	*	7/2019	Alsdorf	.....	D25/48.3

FOREIGN PATENT DOCUMENTS

CA	162127	*	11/2015
EM	000268362-0001	*	3/2005
EM	000495395-0001	*	5/2006
EM	000802152-0003	*	1/2008
EM	000802152-0011	*	1/2008
EM	002540633-0001	*	10/2014
EM	002540633-0002	*	10/2014
EM	002540633-0003	*	10/2014
MX	46765-0001	*	5/2016

OTHER PUBLICATIONS

Simpson Door Craftsman 36863 <https://www.simpsondoor.com/literature/pdfs/Craftsman-Collection.pdf> Jun. 8, 2017 (Year: 2017).\*

\* cited by examiner

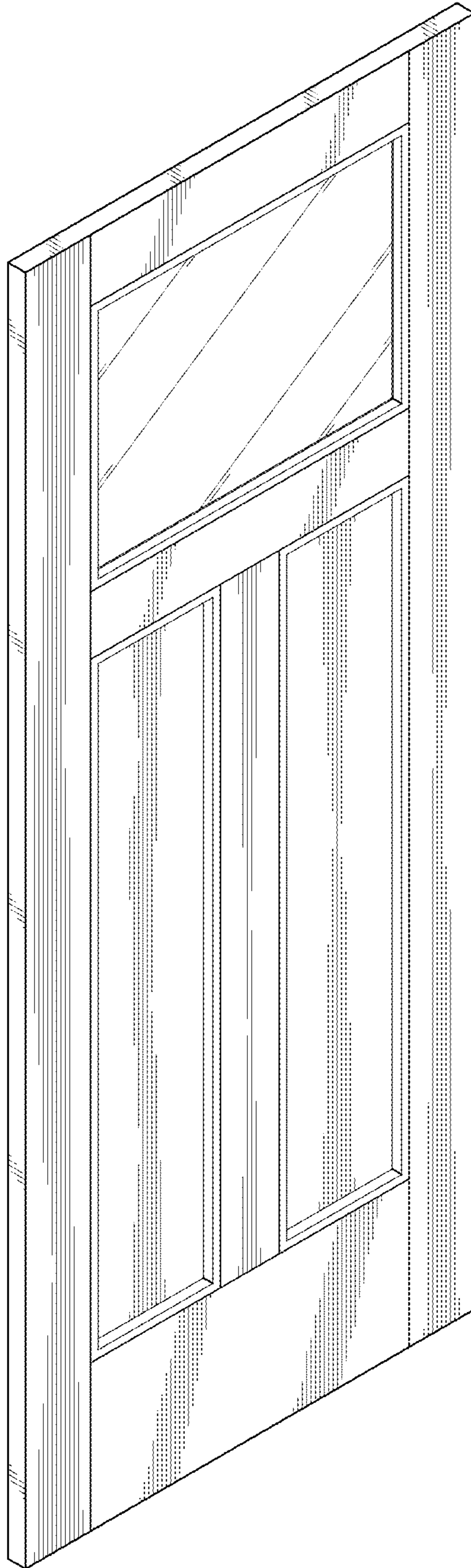


FIG. 1

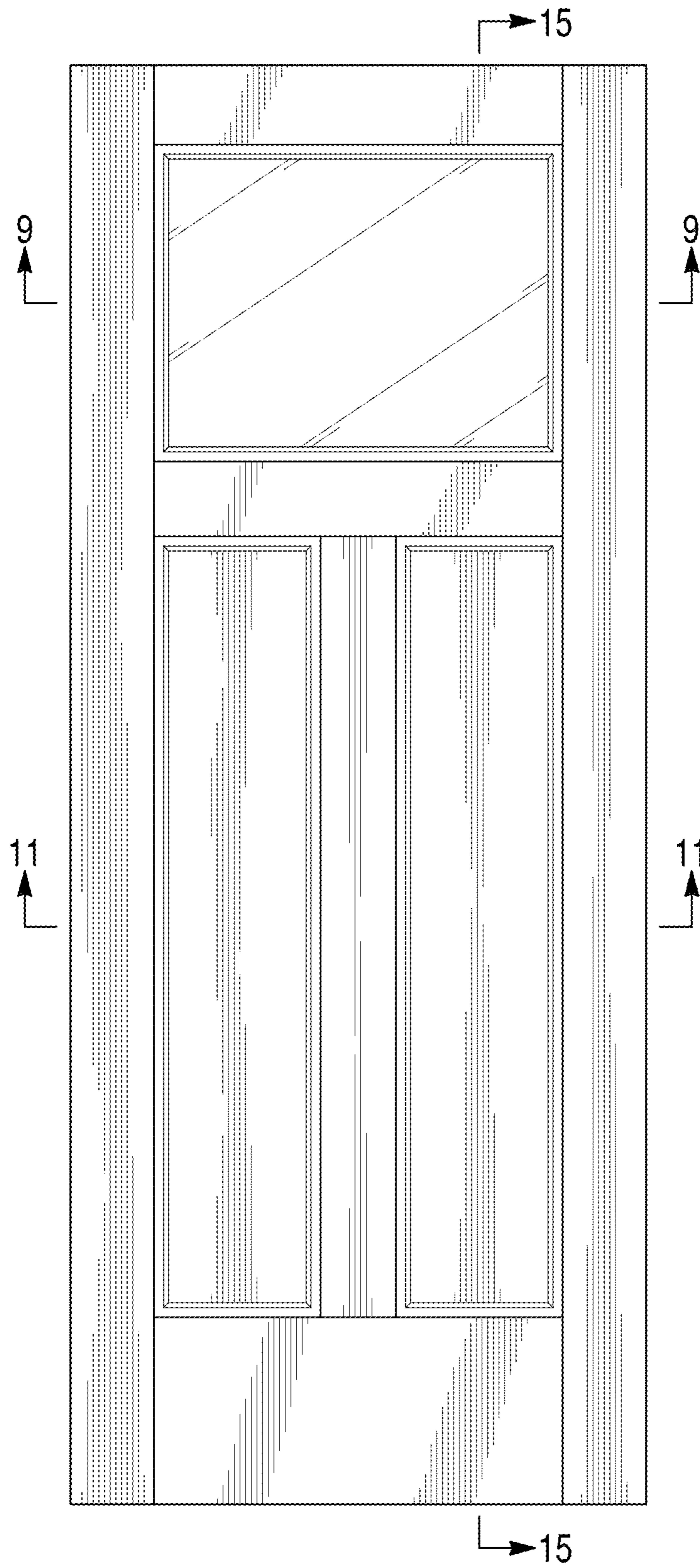


FIG. 2

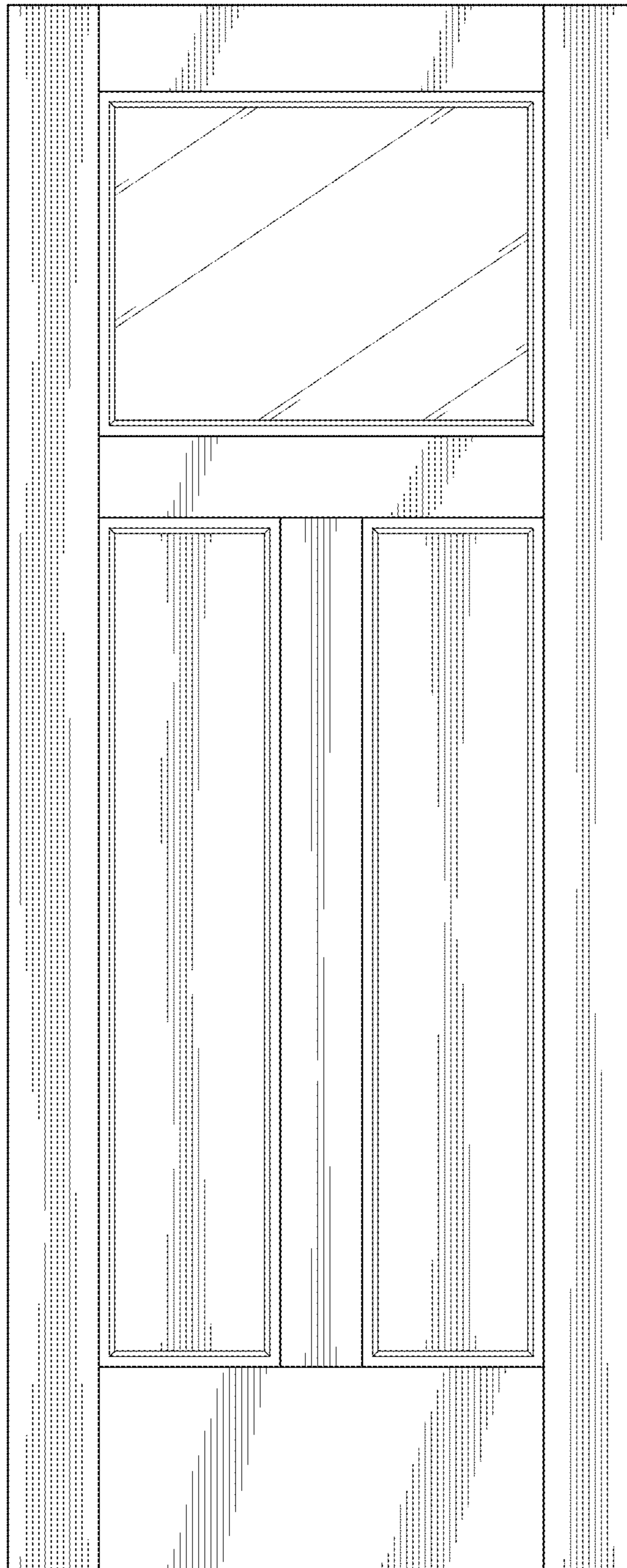


FIG. 3

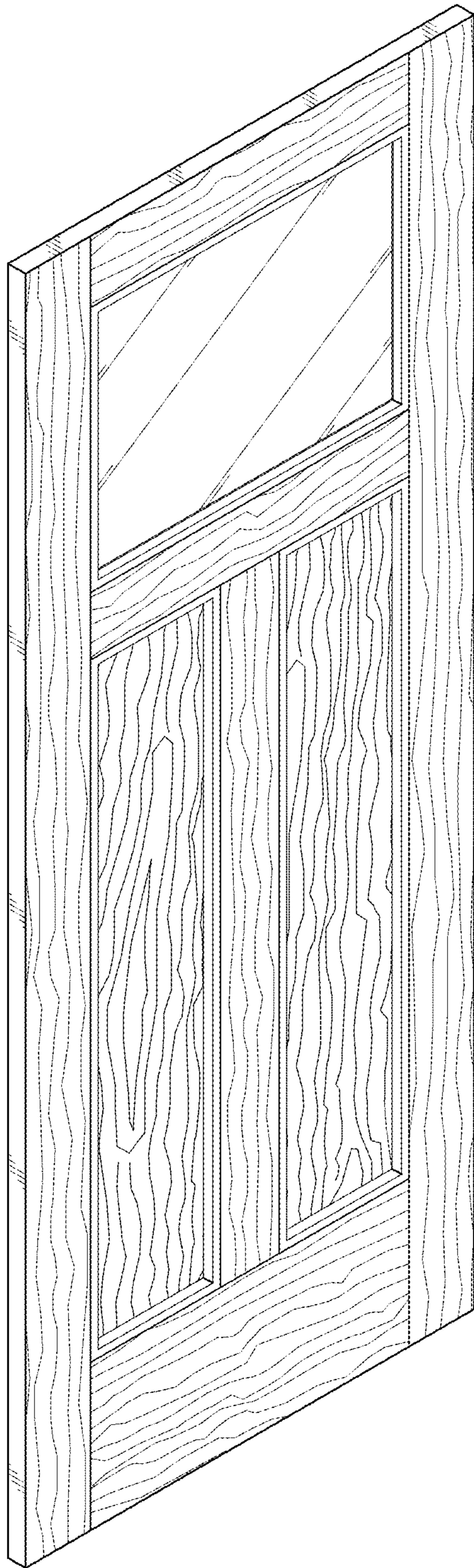


FIG. 4

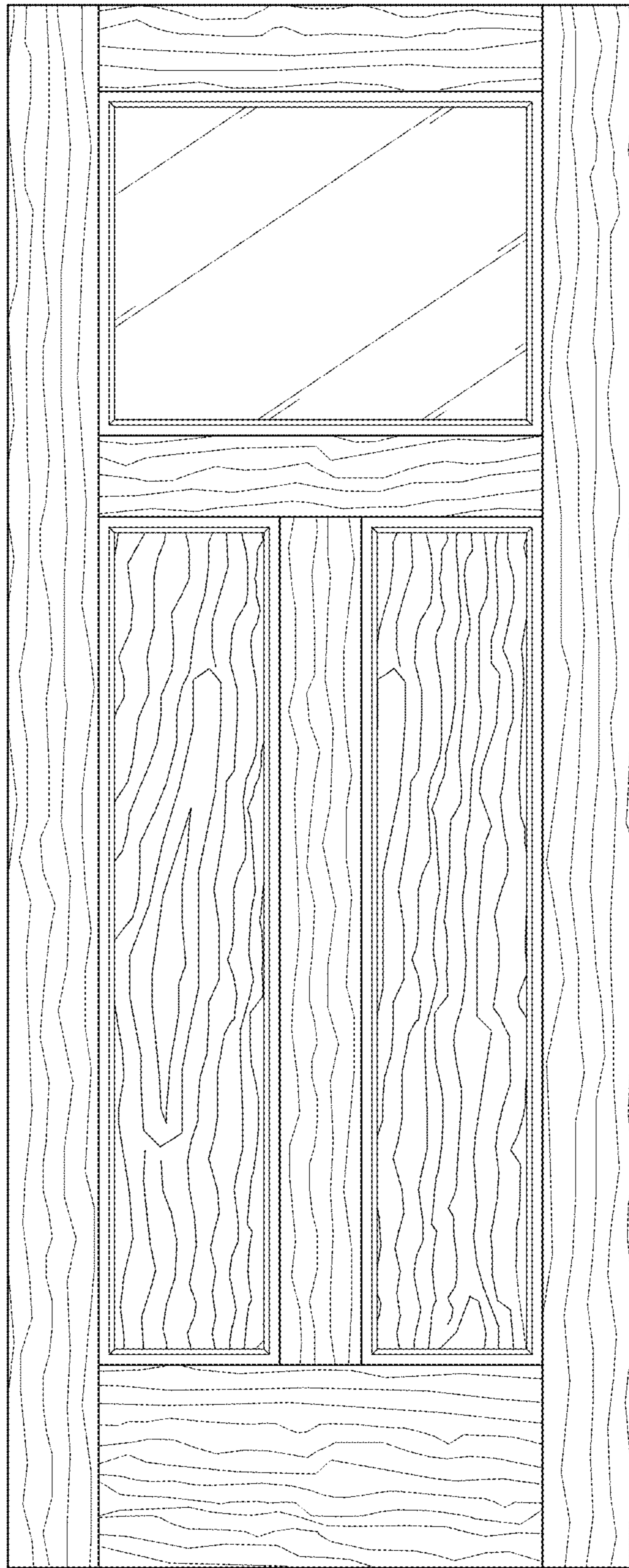


FIG. 5

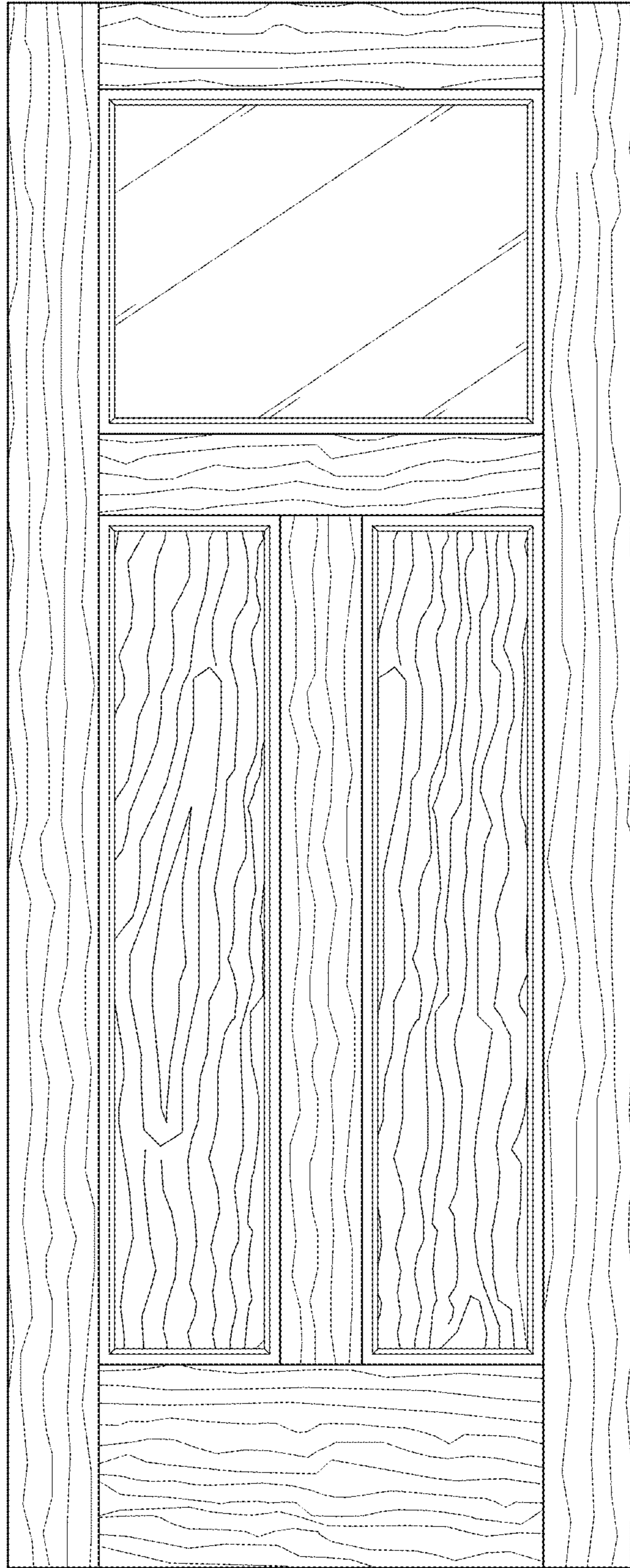


FIG. 6



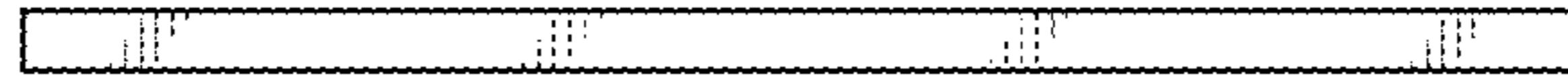


FIG. 7



FIG. 8

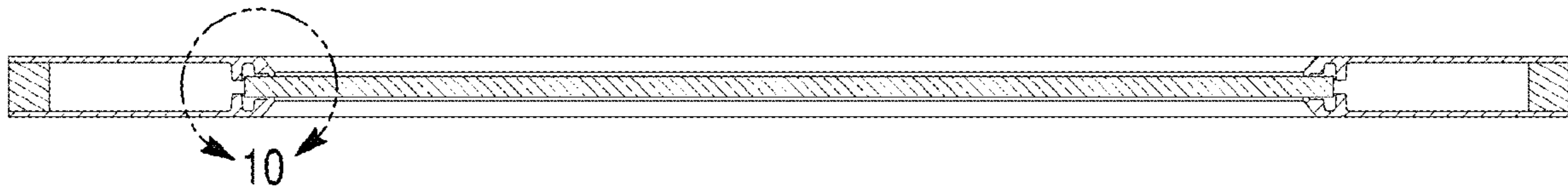


FIG. 9

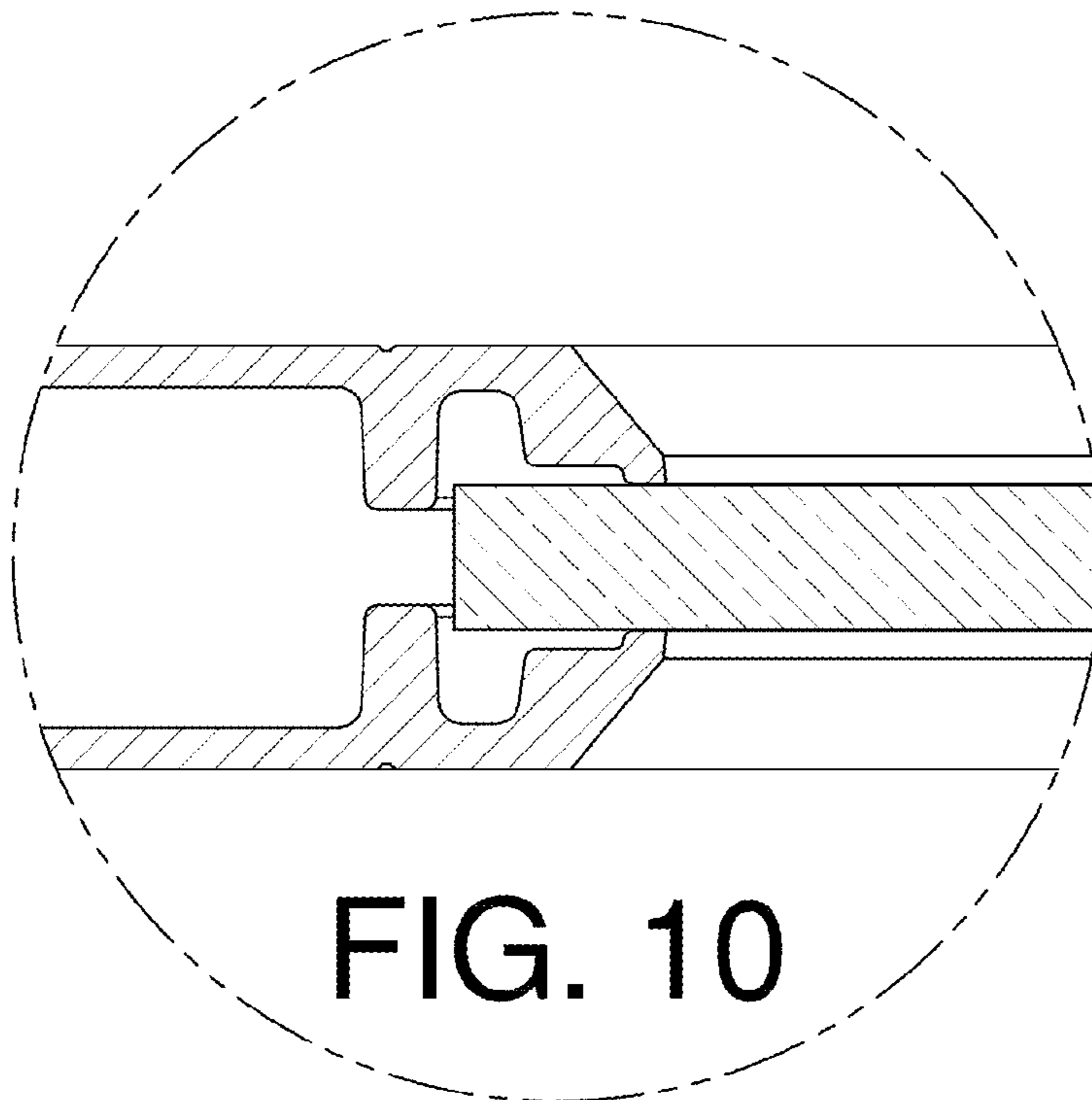


FIG. 10

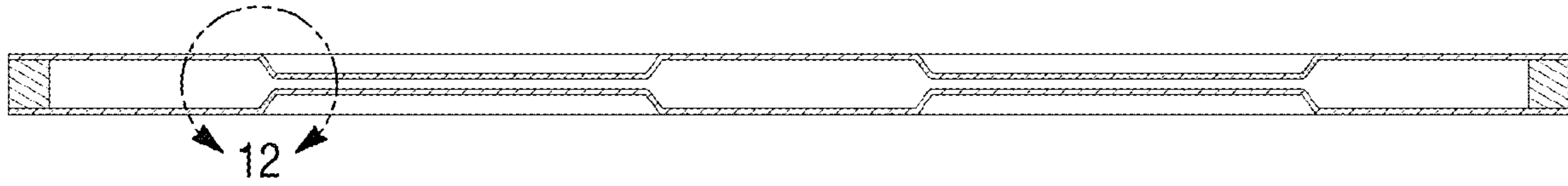


FIG. 11

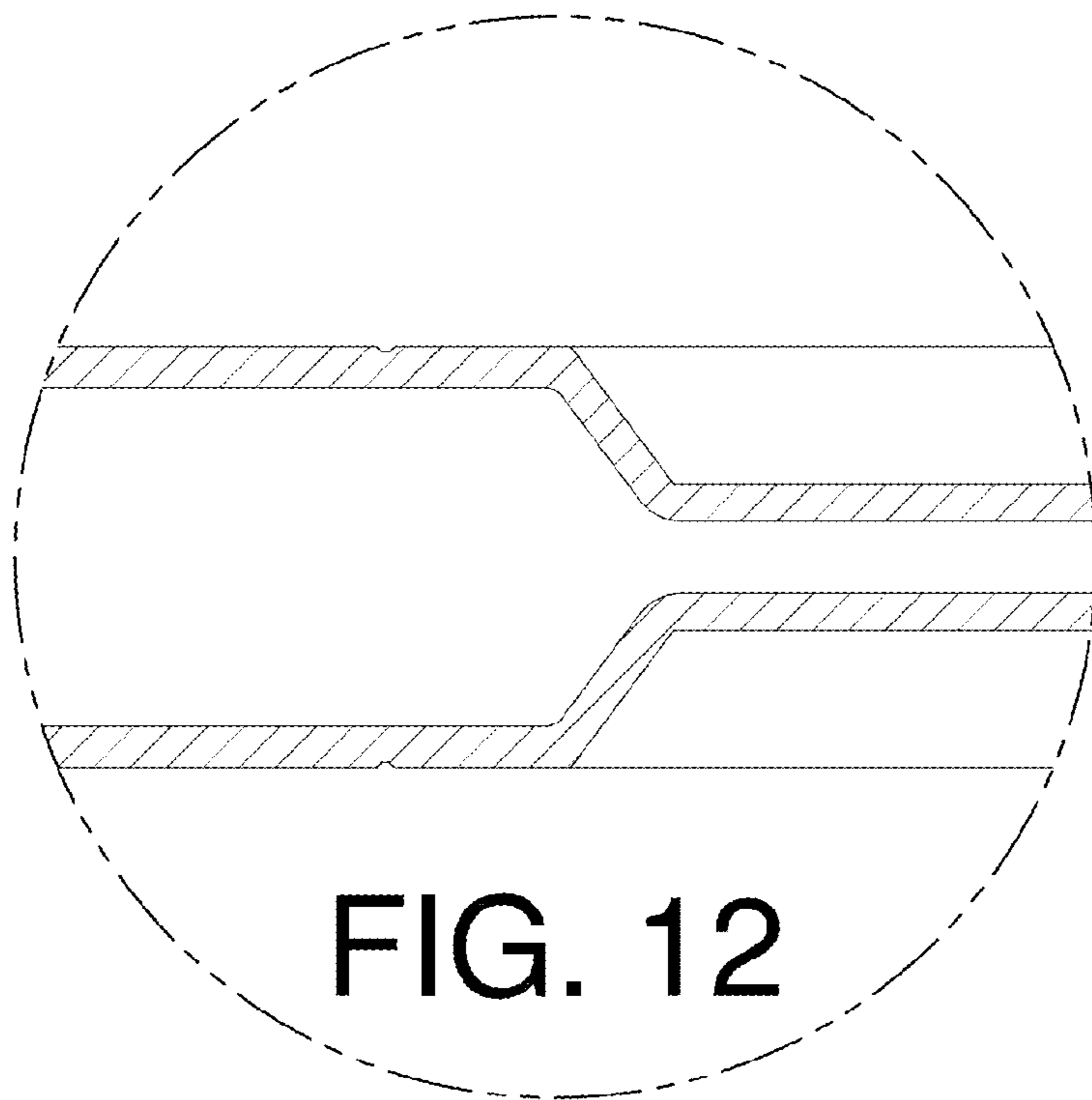


FIG. 12

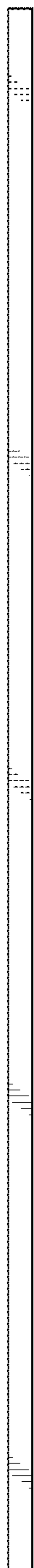


FIG. 13

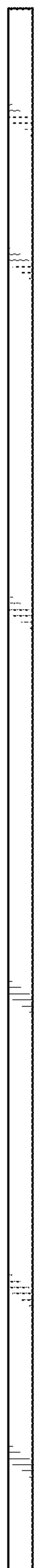


FIG. 14

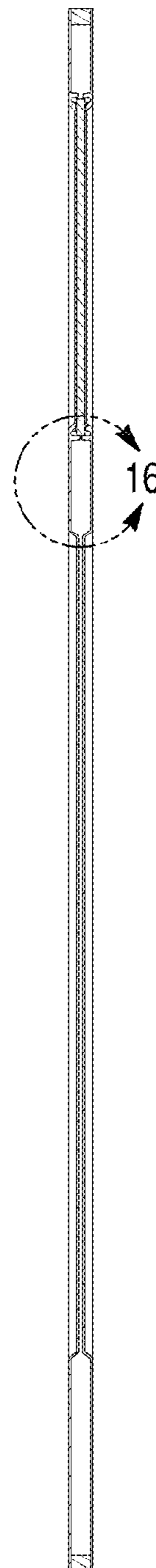


FIG. 15

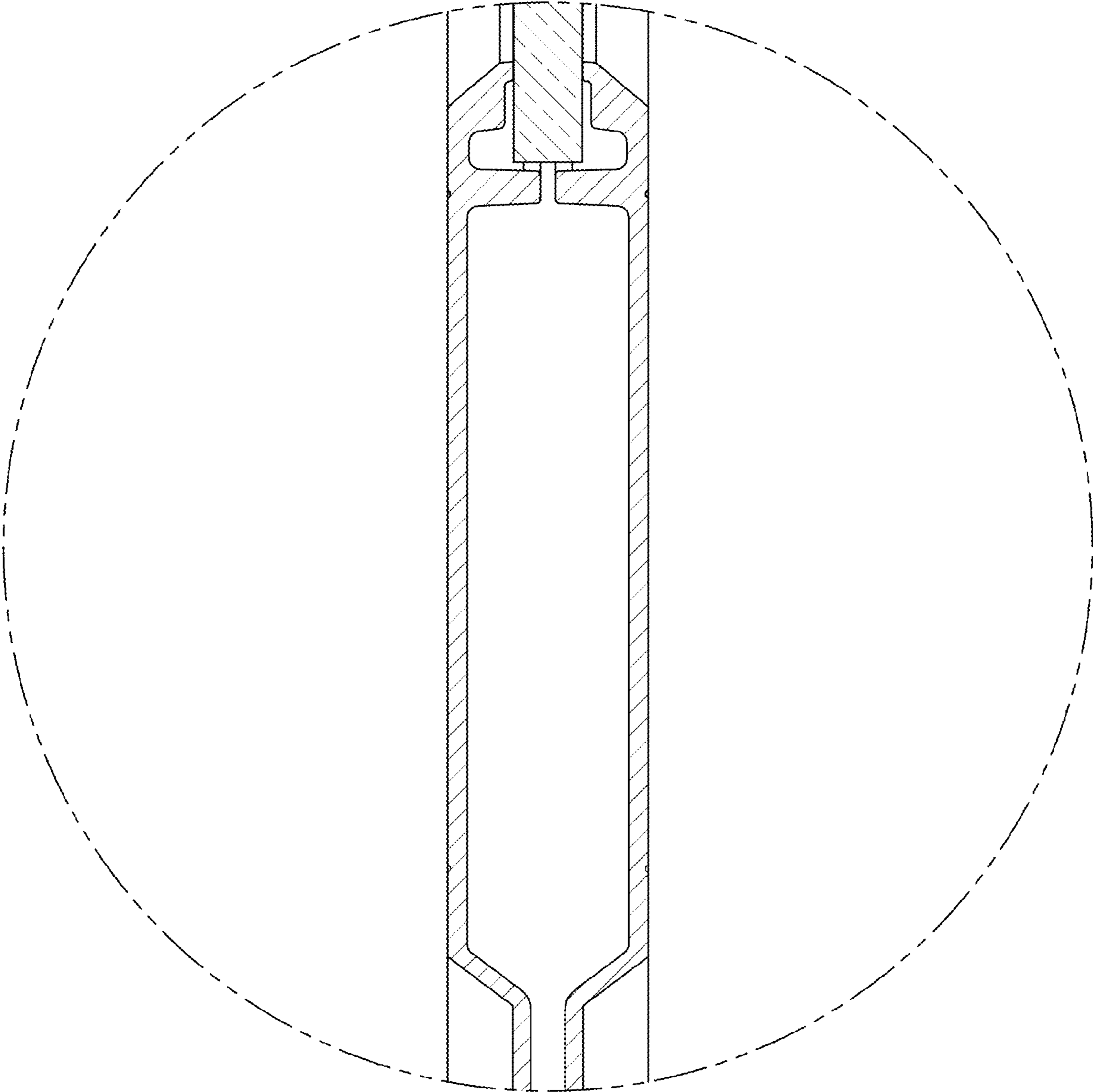


FIG. 16

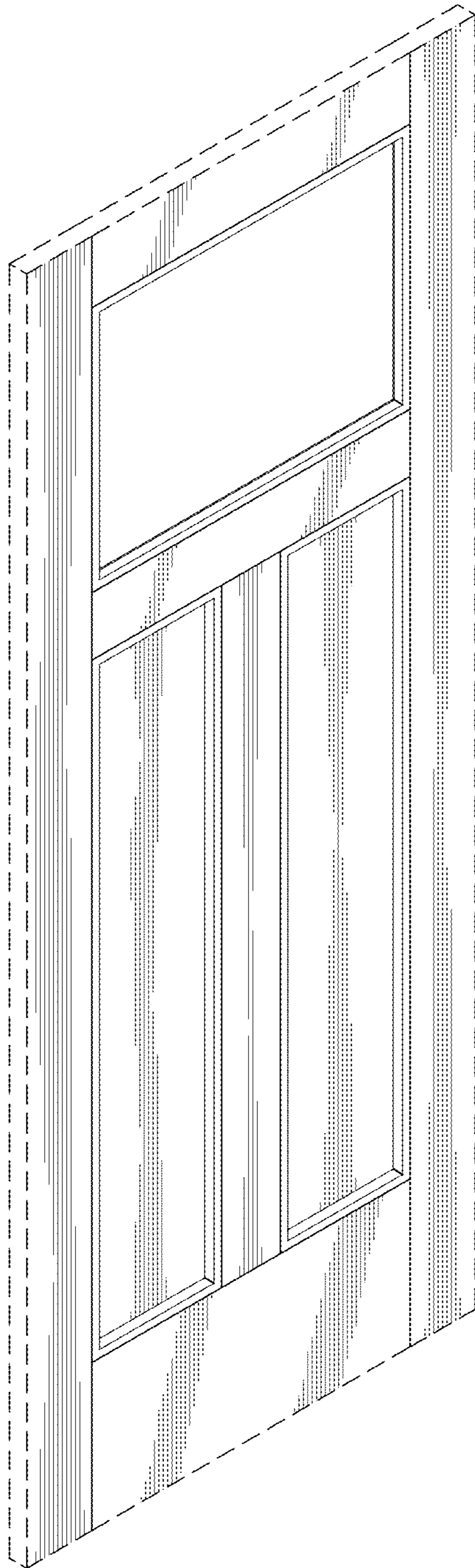


FIG. 17

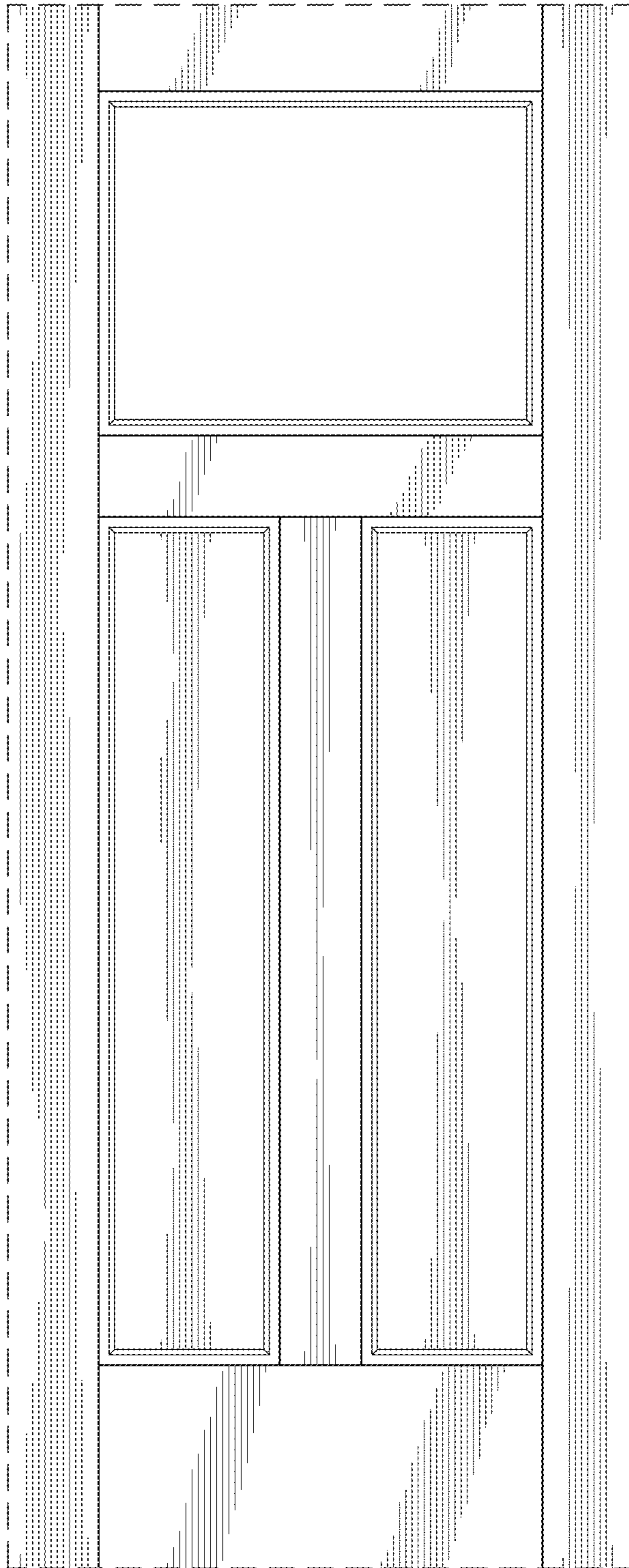


FIG. 18