

US00D966553S

(12) **United States Design Patent** (10) **Patent No.:** **US D966,553 S**
Lee (45) **Date of Patent:** **** Oct. 11, 2022**

(54) **ENCLOSED BUILDING STRUCTURE**

(71) Applicant: **Sean Sunghwa Lee**, San Bernardino, CA (US)

(72) Inventor: **Sean Sunghwa Lee**, San Bernardino, CA (US)

(**) Term: **15 Years**

(21) Appl. No.: **29/746,090**

(22) Filed: **Aug. 11, 2020**

(51) **LOC (13) Cl.** **25-03**

(52) **U.S. Cl.**
USPC **D25/19**

(58) **Field of Classification Search**
USPC D25/1, 3-35; D21/834, 837, 506;
135/115-117; 296/159; 52/80.1-81.1
CPC E04B 1/3211; E04B 1/3205; E04H 15/48;
E04H 15/54; E04H 15/425; E04H 15/20;
A45F 4/04
See application file for complete search history.

(56) **References Cited**

U.S. PATENT DOCUMENTS

- 2,278,956 A * 4/1942 Wagner E04B 1/3211
D25/19
- 2,812,769 A * 11/1957 Schaefer E04H 15/20
52/2.21
- 2,895,490 A * 7/1959 Dimond E04H 15/20
52/2.21
- 2,910,737 A * 11/1959 MacMillan A63H 33/107
D25/19

(Continued)

FOREIGN PATENT DOCUMENTS

- CN 305077397 * 3/2019
- GB 4002672 * 6/2007

(Continued)

OTHER PUBLICATIONS

Bubble New Stargaze Outdoor Single Tunnel Inflatable Camping Tent with Blower Outdoor Single Tunnel Inflatable Tent Family Camping Backyard Transparent, available in Amazon.com, customer review oldest date Feb. 15, 2016 [online], [site visited Mar. 30, 2022], Available from the internet URL: shorturl.at/euwEP (Year: 2016).*

Primary Examiner — Brett Miller
Assistant Examiner — Jasmine L. Comedy

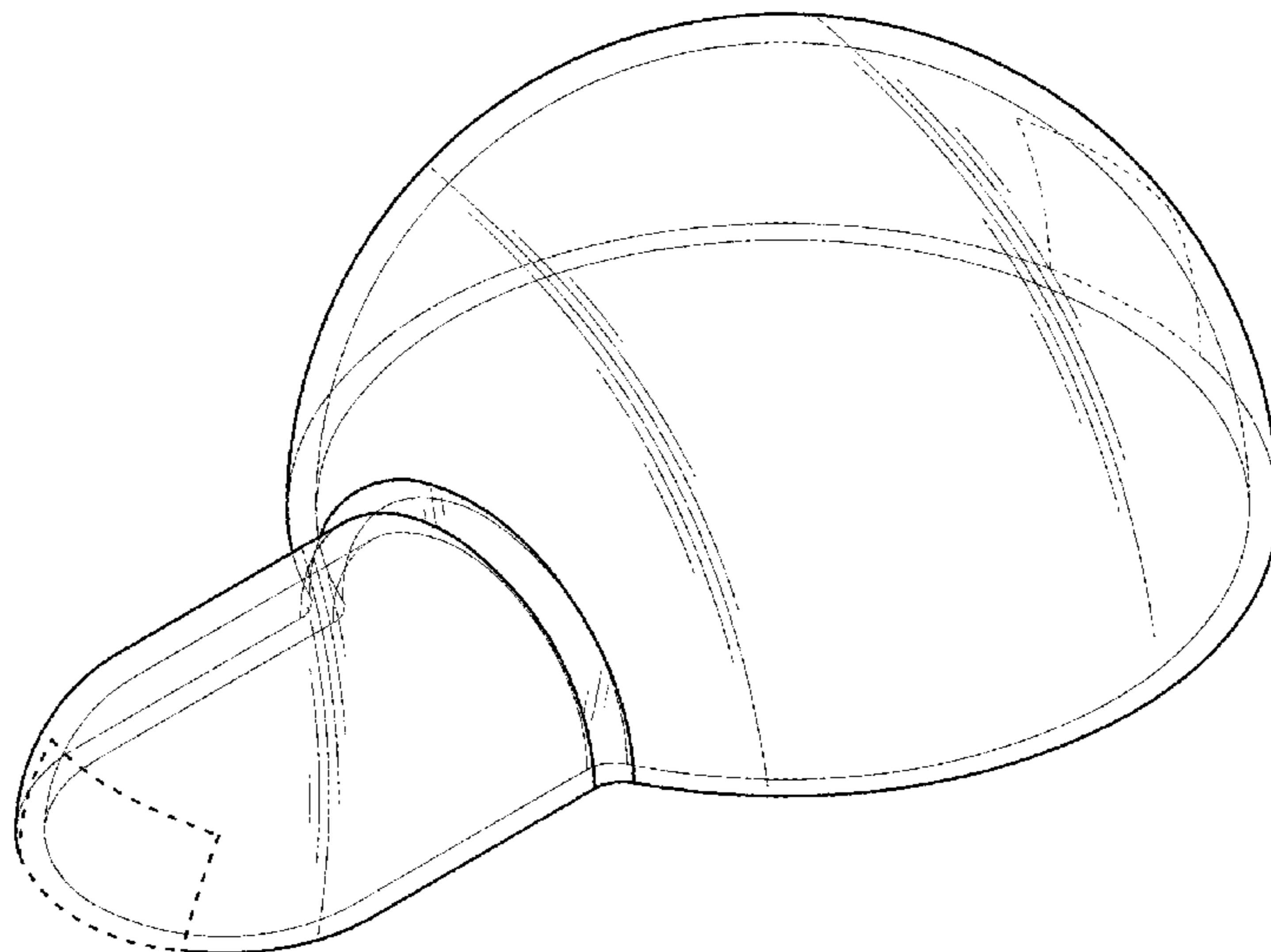
(57) **CLAIM**

The ornamental design for an enclosed building structure, as shown and described.

DESCRIPTION

FIG. 1 is a top-front-left perspective view of an enclosed building structure showing my new design;
 FIG. 2 is a bottom-rear-right perspective view thereof;
 FIG. 3 is a front elevated view thereof;
 FIG. 4 is a rear elevated view thereof;
 FIG. 5 is a top plan view thereof;
 FIG. 6 is a bottom plan view thereof;
 FIG. 7 is a right elevated view thereof;
 FIG. 8 is a left elevated view thereof;
 FIG. 9 is a top-front-left perspective view thereof, showing the enclosed building structure with anchors, sprinklers, and a solar panel;
 FIG. 10 is a bottom-rear-right perspective view thereof, showing the enclosed building structure with the anchors, the sprinklers, and the solar panel; and,
 FIG. 11 is a reduced top-front-left perspective view thereof, showing the enclosed building structure surrounding a residential building.
 The broken lines showing of entrances in FIG. 1-11, the broken lines showing of anchors, sprinklers, and a solar panel in FIG. 9-11, and the broken lines showing of a residential building in FIG. 11 are included for the purpose of showing environmental structure and form no part of the claimed design.

1 Claim, 11 Drawing Sheets



(56)

References Cited

U.S. PATENT DOCUMENTS

2,958,918 A * 11/1960 MacMillan B28B 7/06
446/124
2,976,876 A * 3/1961 Lonqvist E04H 15/322
135/120.2
3,269,398 A * 8/1966 Holbitz E04H 15/00
135/97
3,284,969 A 11/1966 William
3,909,992 A * 10/1975 Stachiw E04B 1/169
52/81.6
3,999,333 A * 12/1976 Amarantos E04H 15/20
52/2.25
4,068,421 A * 1/1978 Marovich E04B 1/3211
D25/19
4,324,074 A 4/1982 South
4,384,435 A * 5/1983 Polise E04H 15/20
D25/19
D271,123 S * 10/1983 Jutras D21/834
D300,649 S * 4/1989 Tauer D21/838
5,487,400 A * 1/1996 Dawkins E04H 15/324
135/124
D370,266 S * 5/1996 Queen D25/19
D377,545 S * 1/1997 Iben D30/117
5,642,750 A * 7/1997 Brown E04H 15/20
135/156
D405,494 S * 2/1999 Vincent D21/835
6,145,527 A * 11/2000 Gillis E04H 15/425
135/124
6,421,963 B1 * 7/2002 Pratola A63H 33/008
52/80.1
6,854,476 B1 * 2/2005 Chai E04H 15/425
135/98
D560,741 S * 1/2008 Bernart D21/836

7,481,234 B1 1/2009 Gustafson
8,146,298 B2 4/2012 Bush
D667,912 S * 9/2012 O'Neil D21/835
8,371,073 B2 2/2013 Fuller
8,578,657 B2 * 11/2013 Colucci E04H 3/22
52/2.16
9,598,860 B2 3/2017 Davis
D831,772 S * 10/2018 Hanley D21/834
D909,527 S * 2/2021 Alemdar D21/839
D913,401 S * 3/2021 Lah D21/834
2002/0020439 A1 * 2/2002 Tate E04H 15/425
135/124
2004/0168715 A1 * 9/2004 Wang E04H 15/425
135/124
2004/0226596 A1 * 11/2004 Chai E04H 15/48
135/135
2006/0277830 A1 12/2006 Boggs
2006/0285836 A1 * 12/2006 Coppola G03B 15/06
396/1
2008/0017229 A1 * 1/2008 Brewin E04B 1/169
52/2.25
2009/0217930 A1 9/2009 Holley
2011/0253184 A1 * 10/2011 Mills E04H 15/20
135/96
2015/0041078 A1 2/2015 Perache
2020/0165836 A1 * 5/2020 Lah E04H 15/26
2020/0378147 A1 * 12/2020 Cox E04H 15/58
2021/0381221 A1 * 12/2021 Lee E04B 1/3205

FOREIGN PATENT DOCUMENTS

GB 4038682 * 3/2015
KR 3020120015122 * 6/2013
KR 3020130036907 * 10/2013
WO WO2006092561 A1 9/2006

* cited by examiner

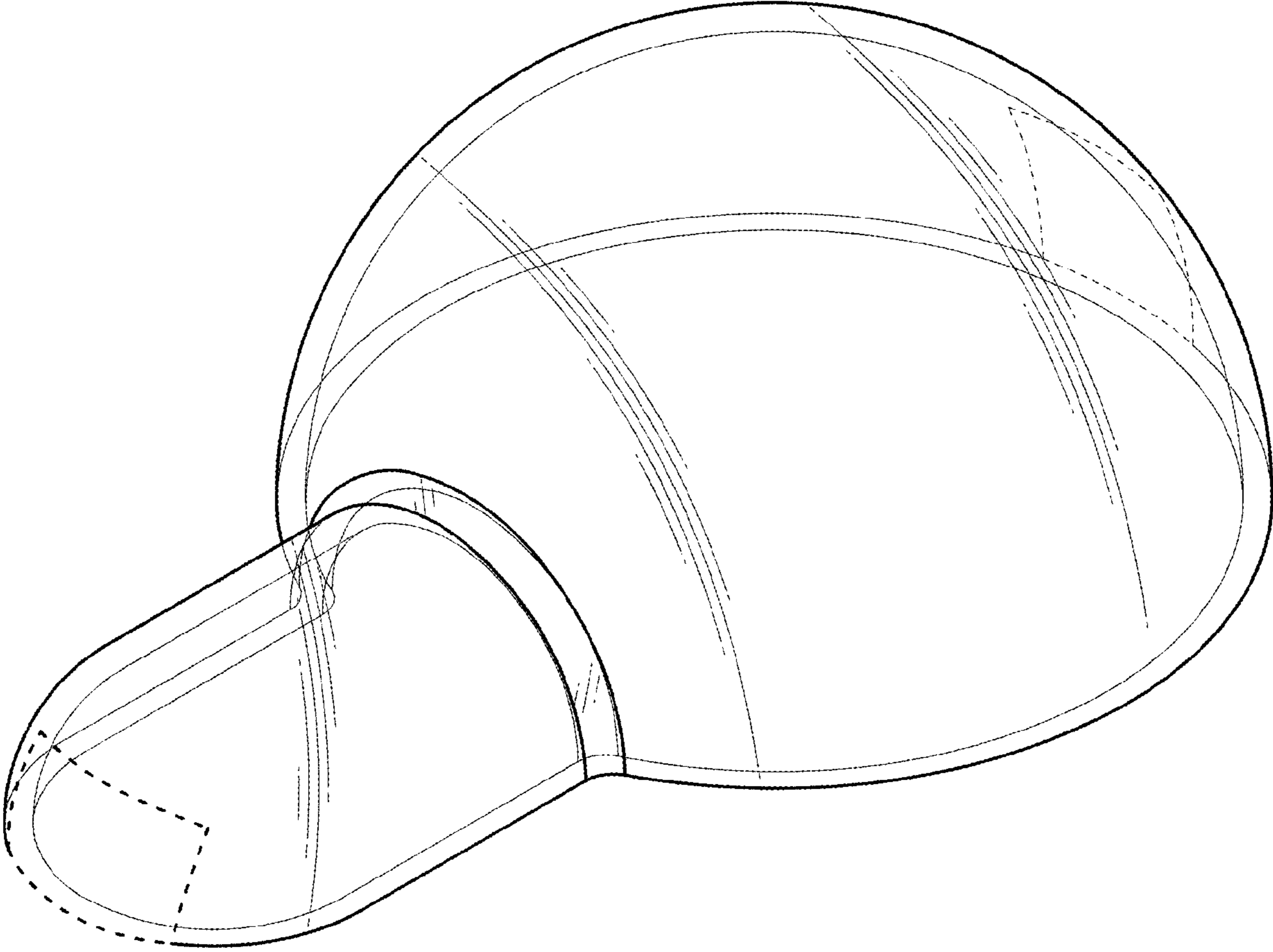


FIG. 1

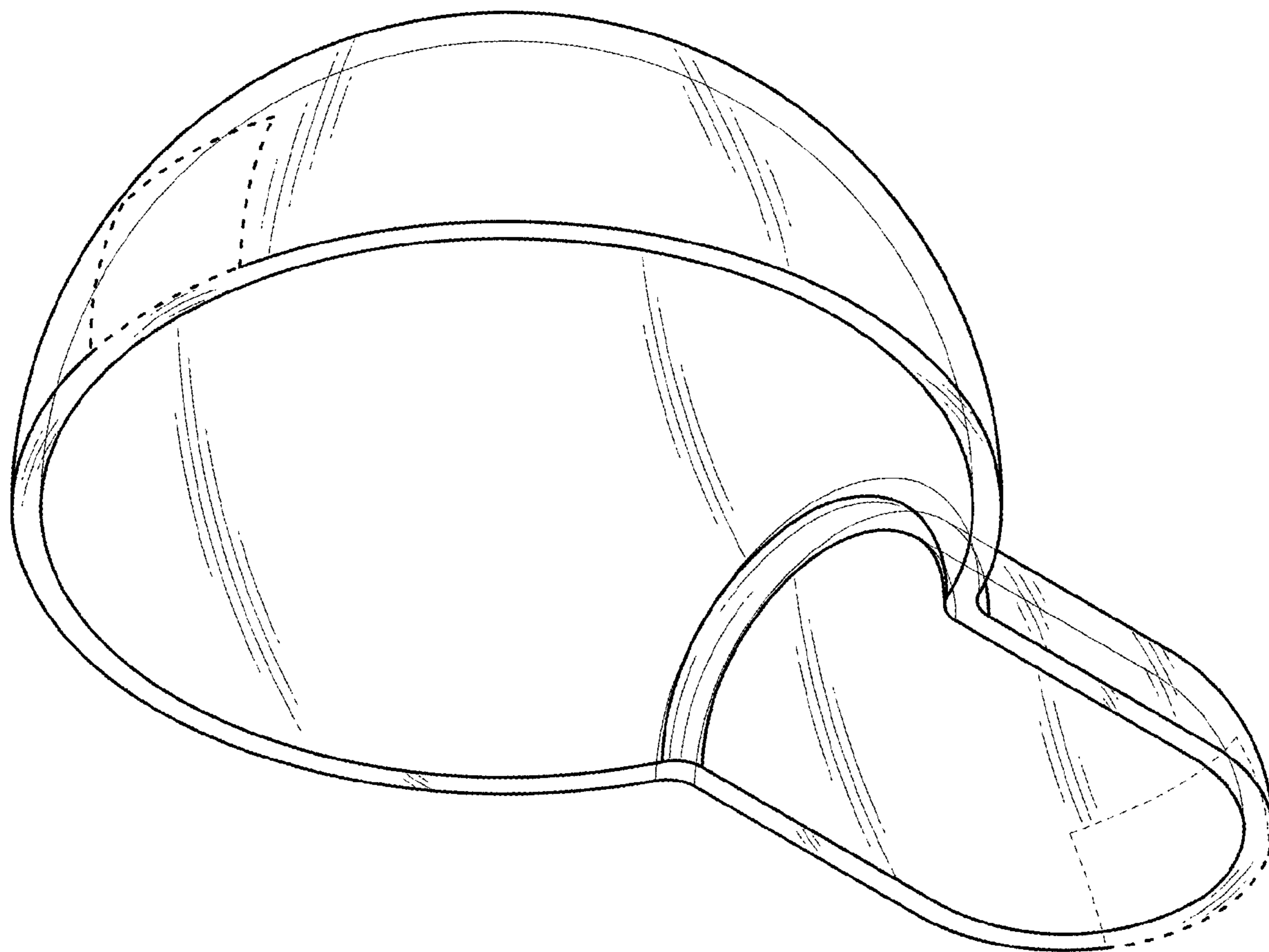


FIG. 2

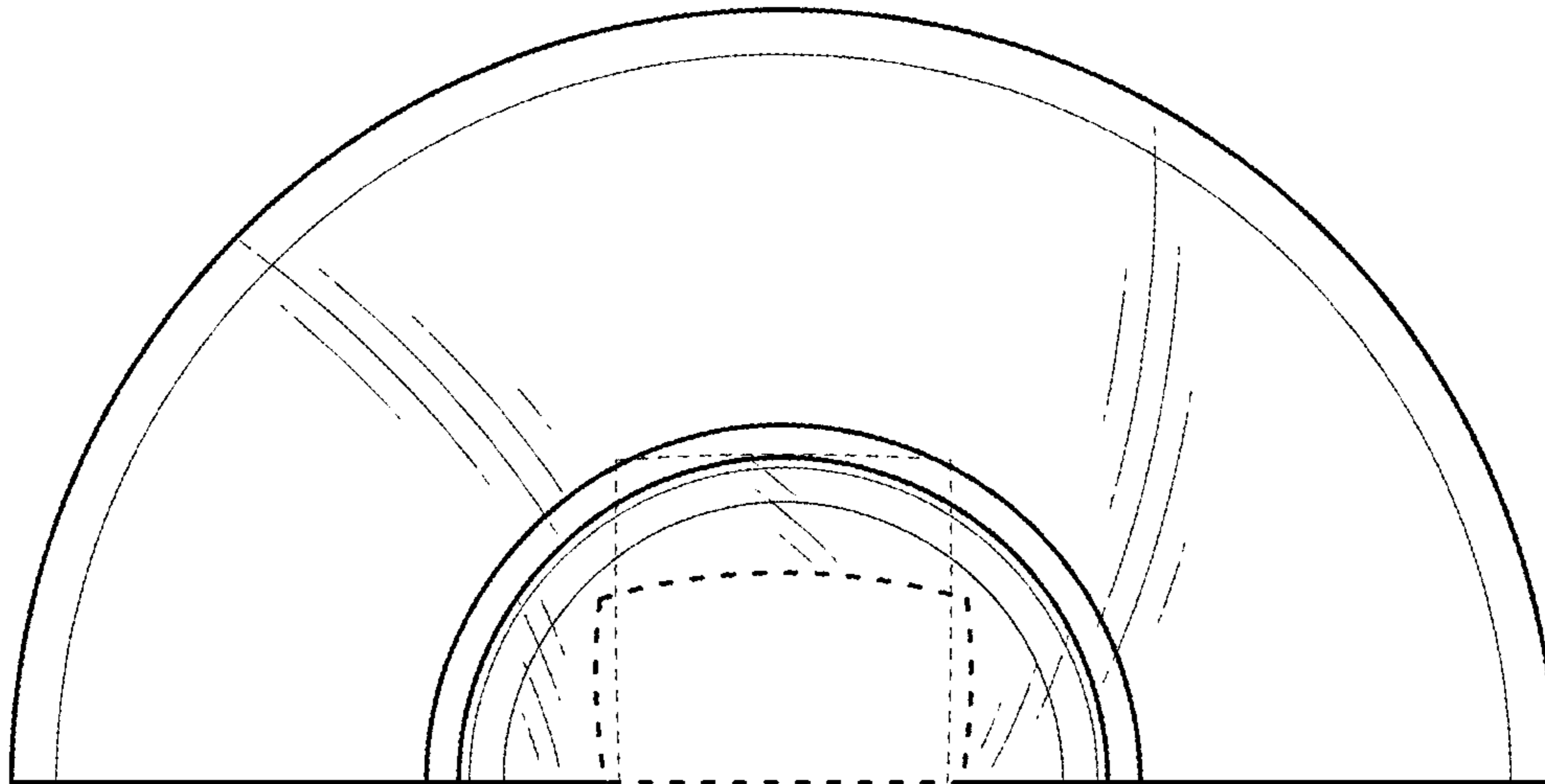


FIG. 3

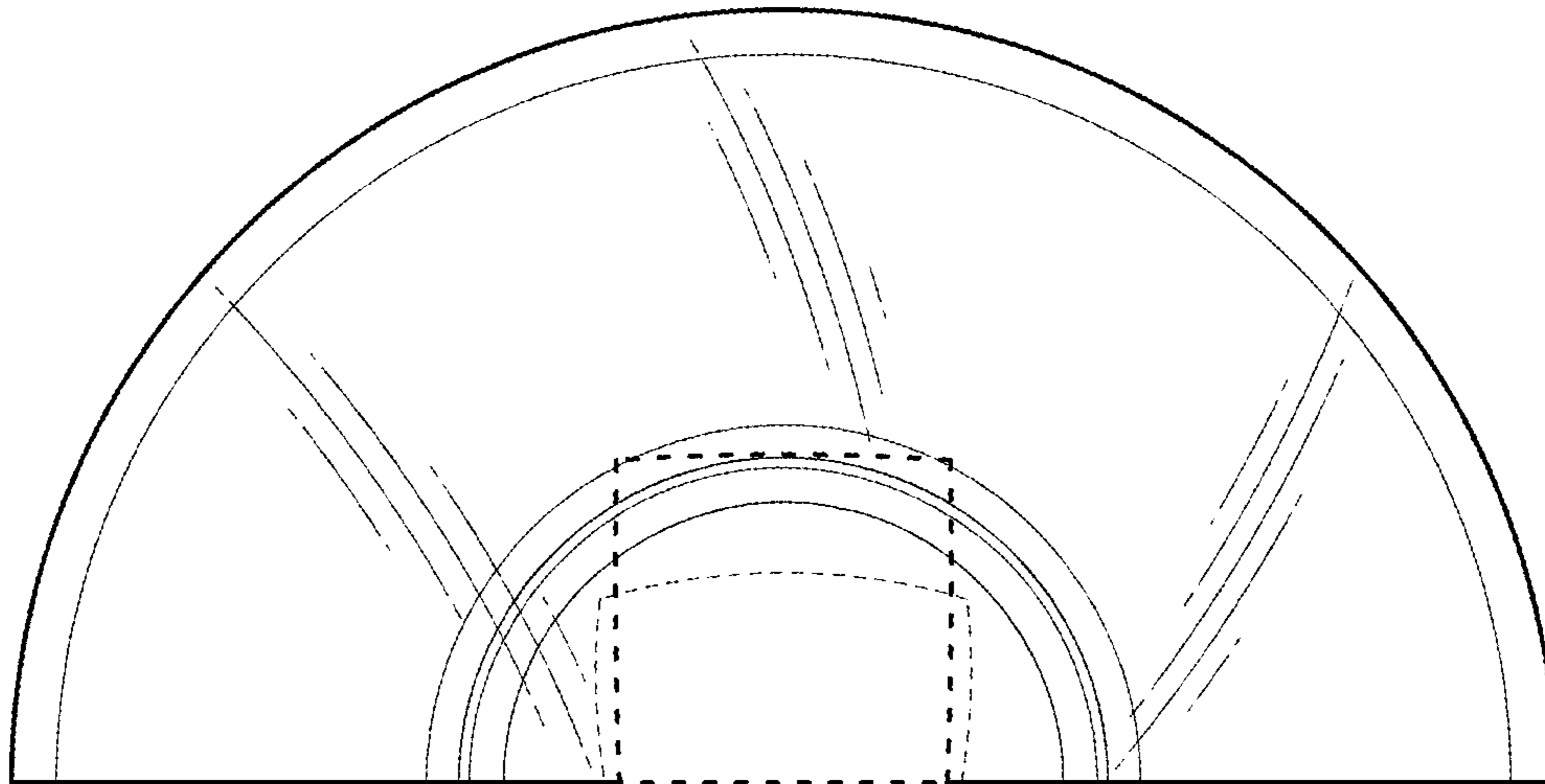


FIG. 4

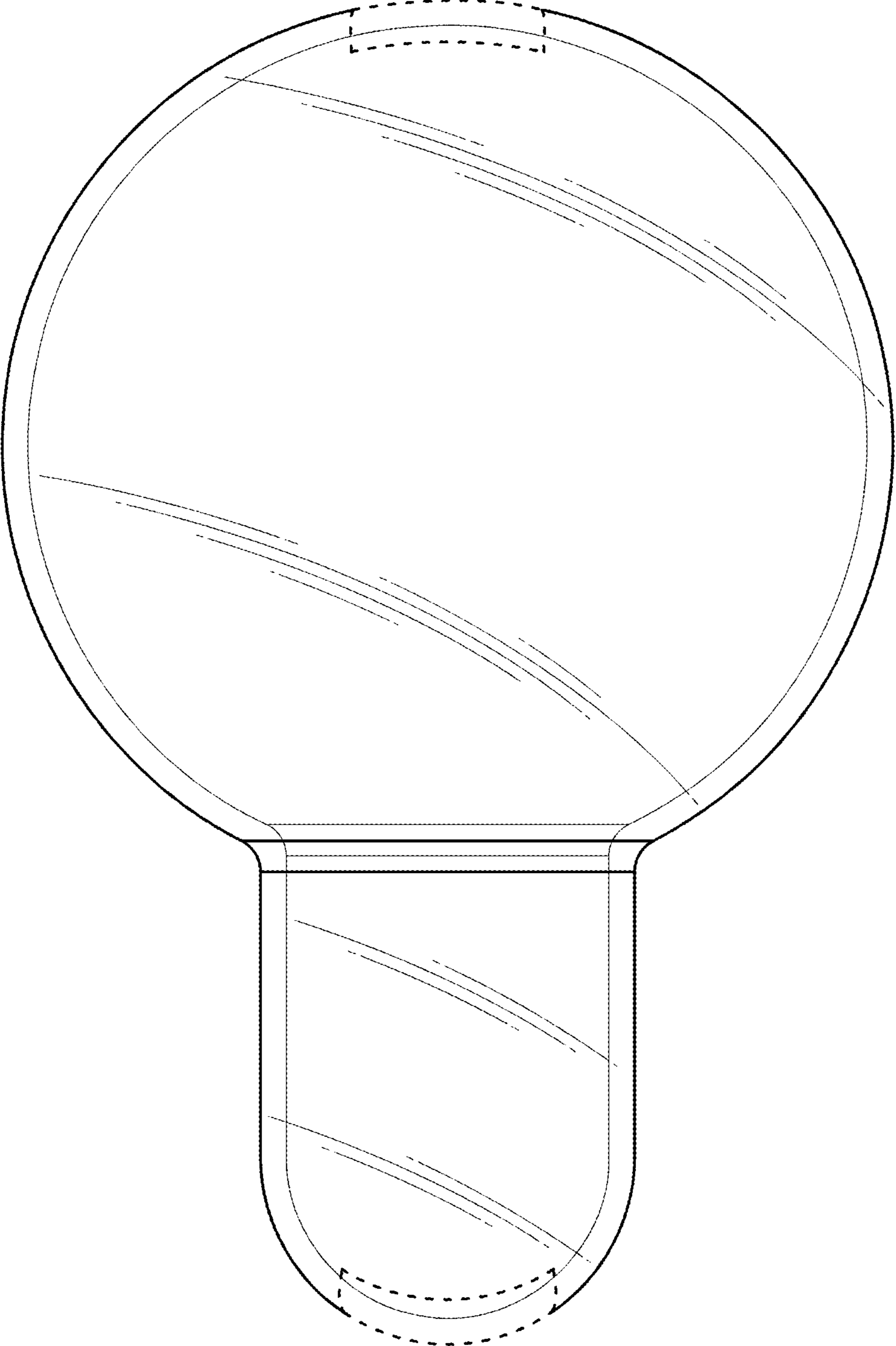


FIG. 5

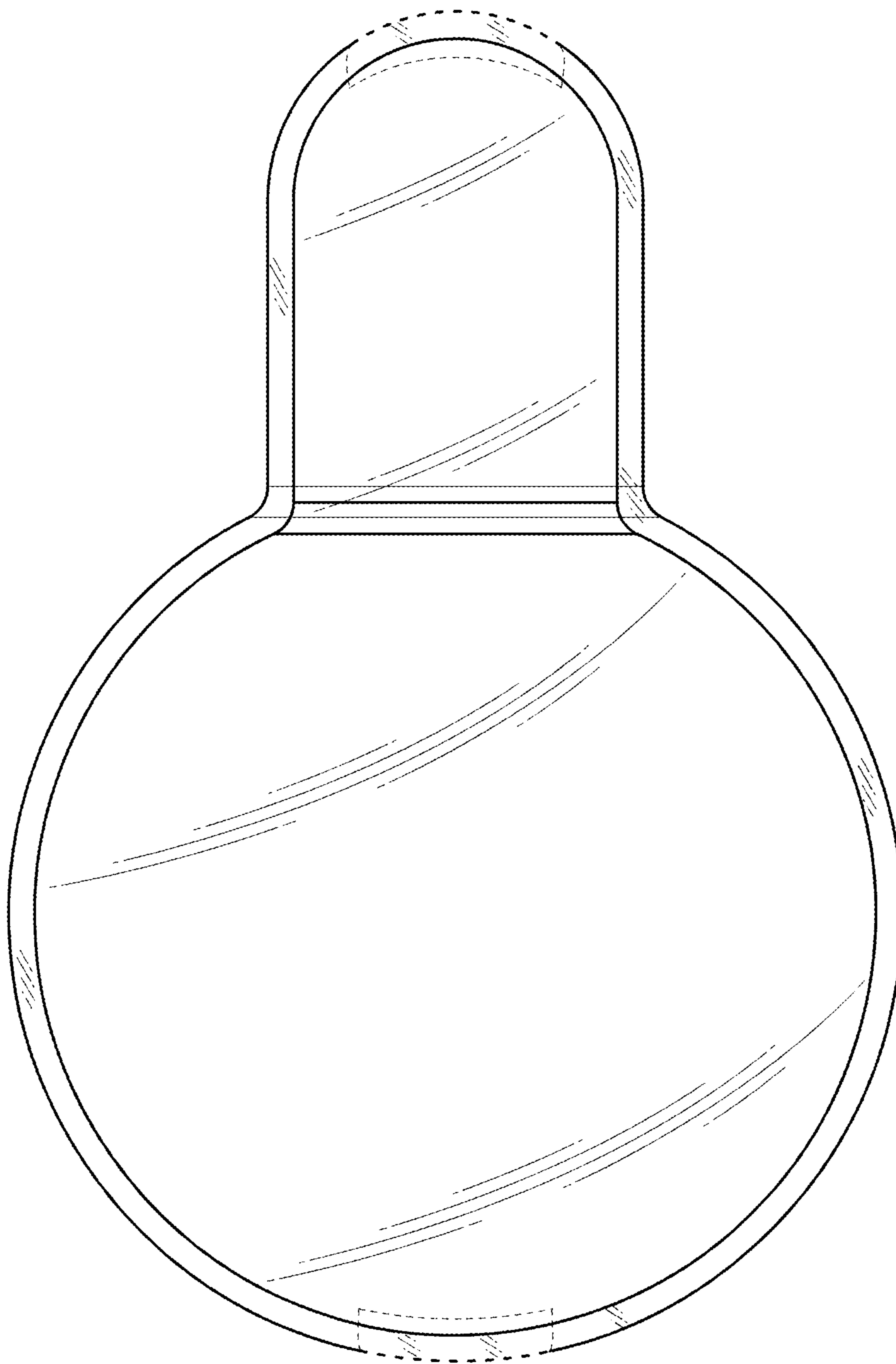


FIG. 6

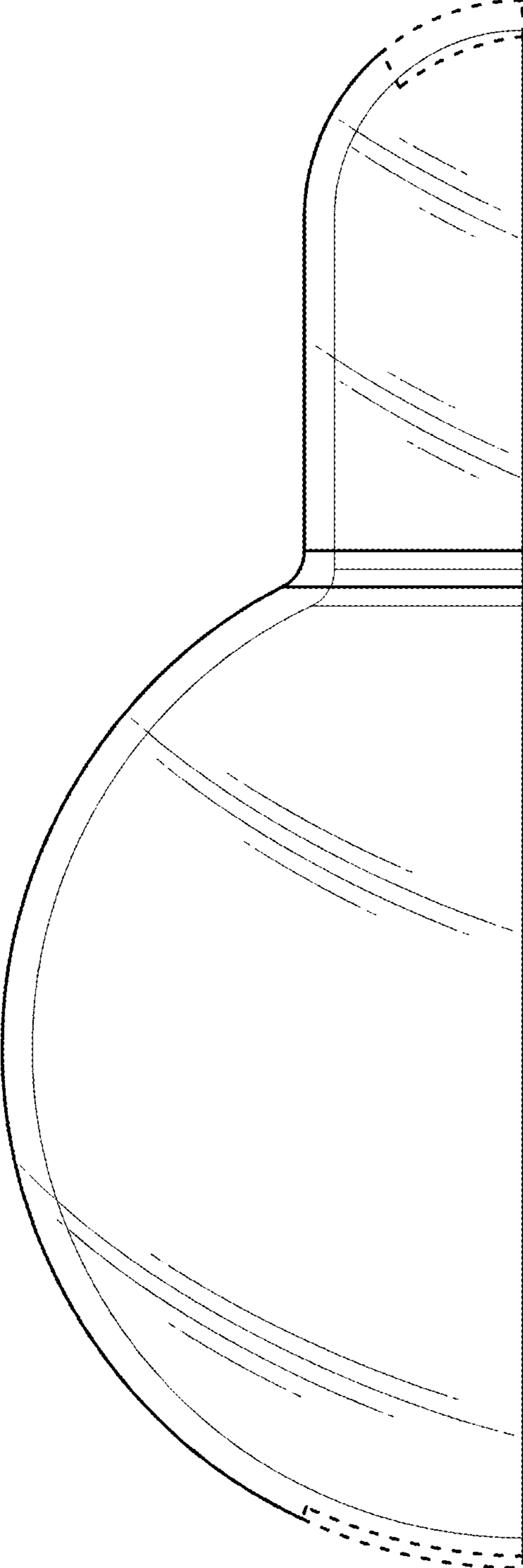


FIG. 7

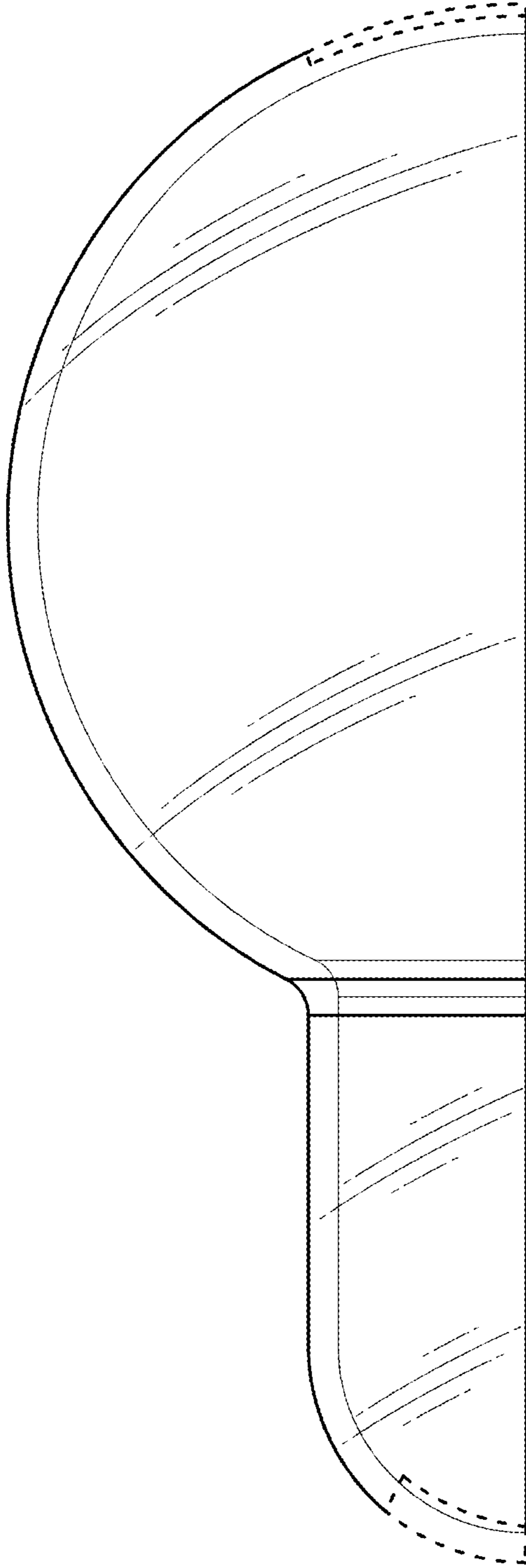


FIG. 8

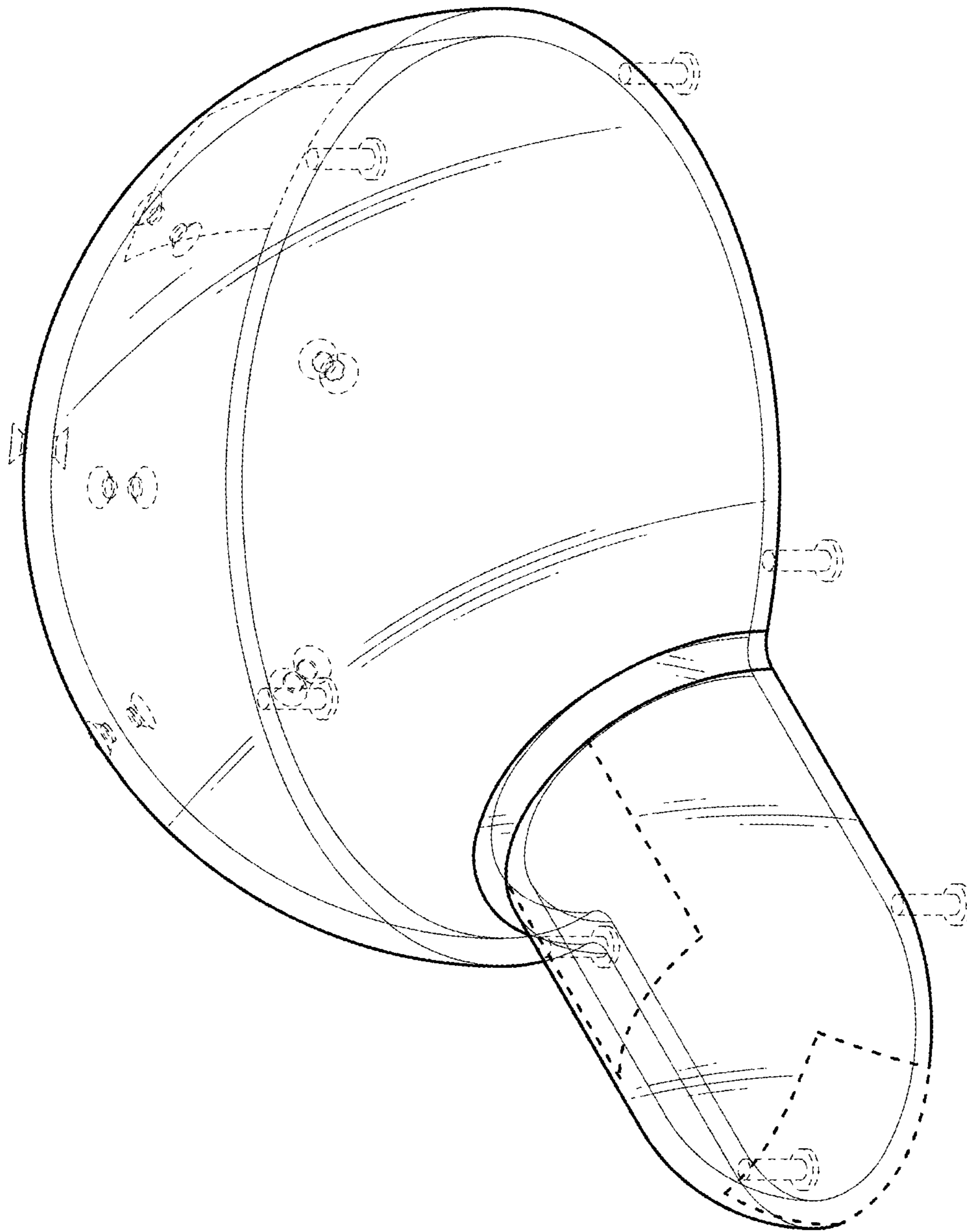


FIG. 9

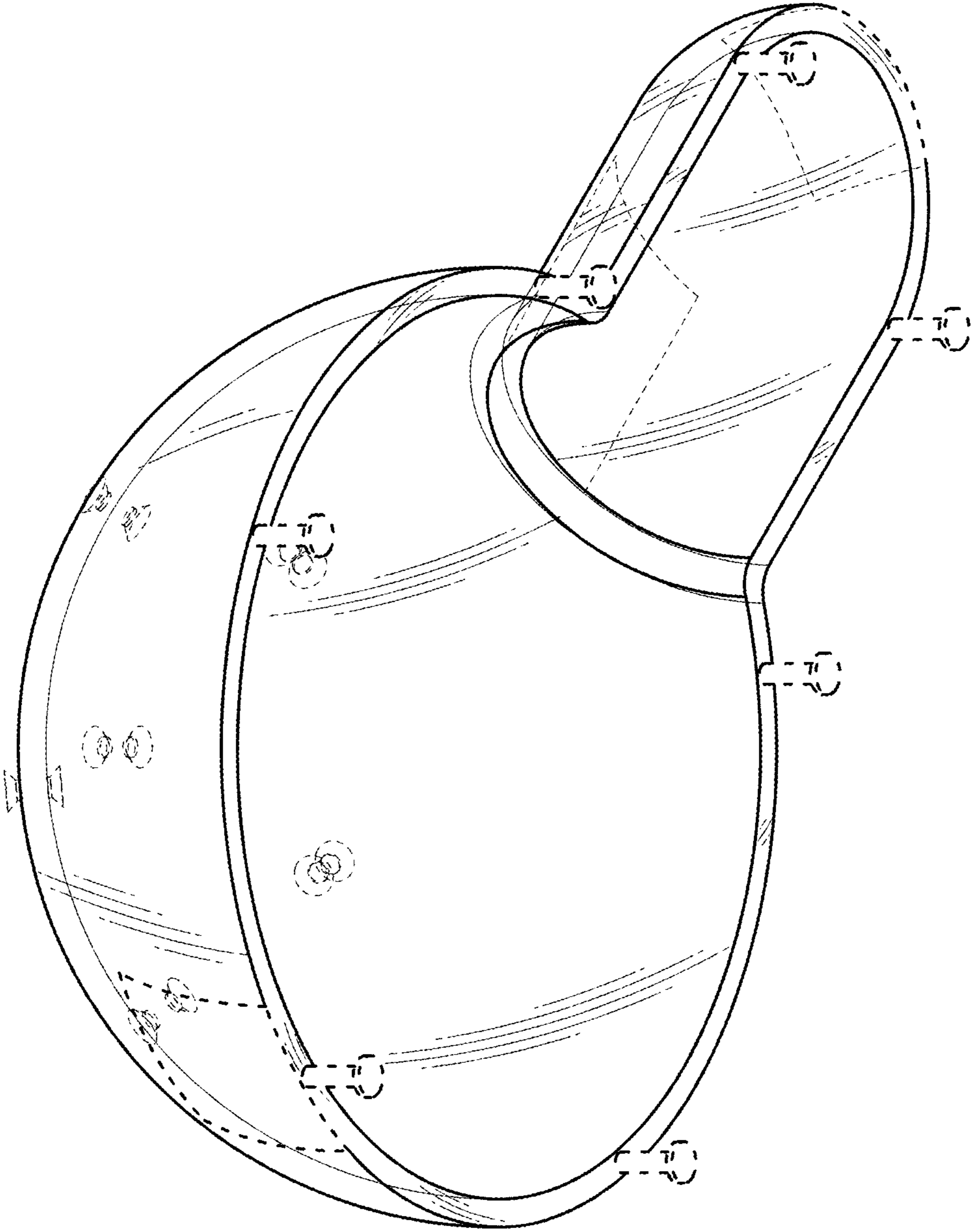


FIG. 10

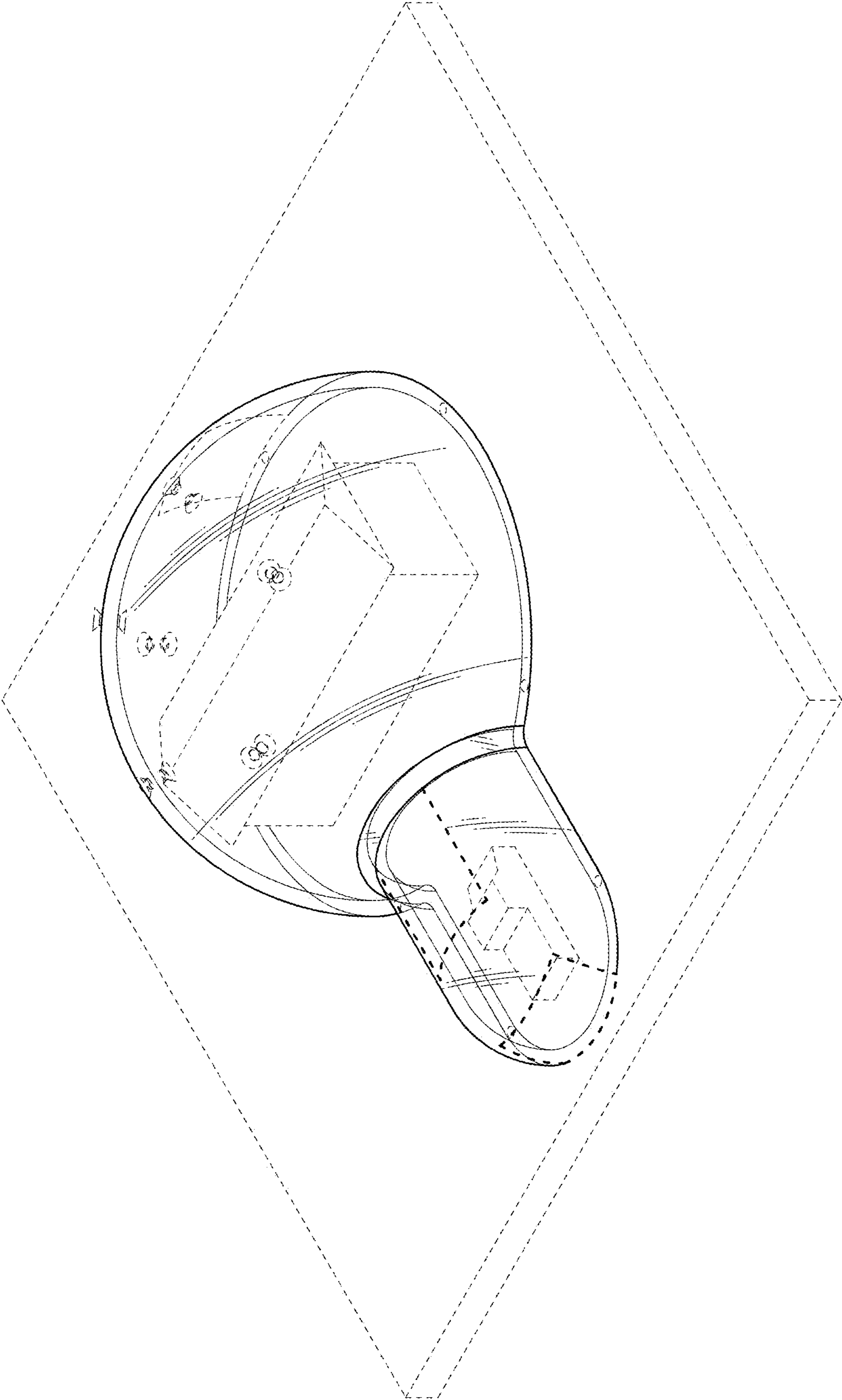


FIG. 11