

US00D966549S

(12) **United States Design Patent** (10) **Patent No.:** **US D966,549 S**
Charles et al. (45) **Date of Patent:** **** Oct. 11, 2022**

(54) **ACCESSORY TRAY**
(71) Applicant: **SoClean, Inc.**, Peterborough, NH (US)
(72) Inventors: **Robert A Charles**, New Boston, NH (US); **Matthew McCambridge**, Lexington, MA (US); **Janine Eisner Wall**, Peterborough, NH (US)
(73) Assignee: **SOCLEAN INC.**, Peterborough, NH (US)

9,610,126 B2 * 4/2017 Griffin A61B 50/20
9,724,438 B2 * 8/2017 Turbett A61L 2/07
D810,286 S * 2/2018 Conatser D24/128
(Continued)

(**) Term: **15 Years**
(21) Appl. No.: **29/743,829**

(22) Filed: **Jul. 24, 2020**
(51) **LOC (13) Cl.** **24-02**
(52) **U.S. Cl.**
USPC **D24/227**
(58) **Field of Classification Search**
USPC D24/127, 128, 184, 217, 227-229, 231,
D24/234; D7/701, 608, 637, 638-641,
D7/600.1, 600.4; D6/681-682.4, 517
CPC B65D 2543/00777; B65D 2543/00814;
A61L 2/00
See application file for complete search history.

OTHER PUBLICATIONS

Smith & Nephew TruClear™ Gynecology Instrument Tray, Metal, Smith & Nephew, aamedicalstore, [Post date unknown], [Site seen May 26, 2022] Seen at URL: <https://aamedicalstore.com/products/smith-nephew-truclear%E2%84%A2-gynecology-instrument-tray-metal> (Year: 2022).*

(Continued)

Primary Examiner — Natasha Vujcic
Assistant Examiner — Gilbert B Ford
(74) *Attorney, Agent, or Firm* — Grossman, Tucker, Perreault & Pfeleger, PLLC

(57) **CLAIM**

The ornamental design of an accessory tray, as shown and described.

DESCRIPTION

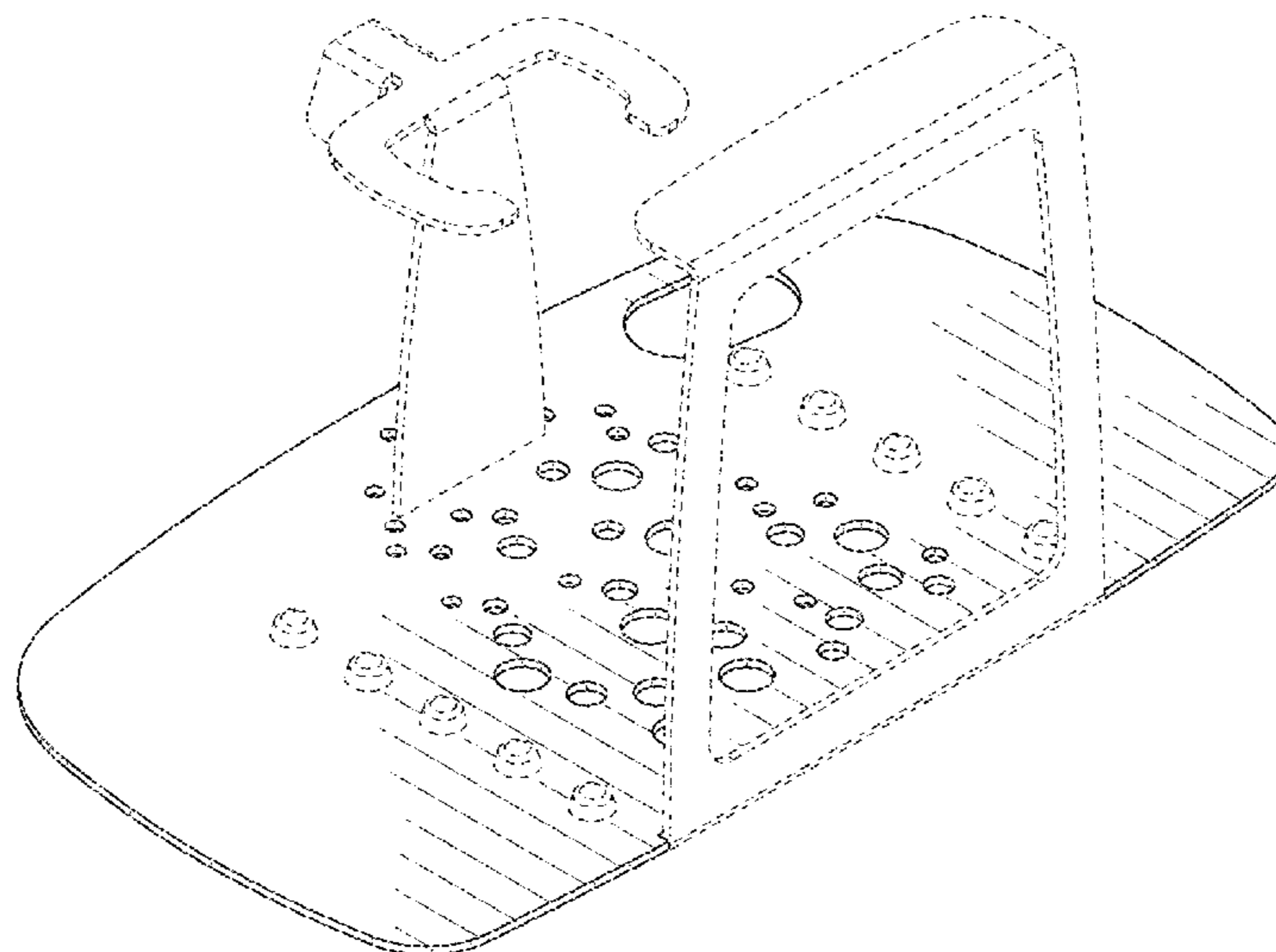
FIG. 1 is a front left top view of an accessory tray;
FIG. 2 is a front right top view thereof;
FIG. 3 is a back left top view thereof;
FIG. 4 is a back right top view thereof;
FIG. 5 is a front right bottom view thereof;
FIG. 6 is a front left bottom view thereof;
FIG. 7 is a back left bottom view thereof;
FIG. 8 is a back right bottom view thereof;
FIG. 9 is a front view thereof;
FIG. 10 is a back view thereof;
FIG. 11 is a left side bottom perspective view thereof;
FIG. 12 is a right side view thereof;
FIG. 13 is top view thereof; and,
FIG. 14 is a bottom view thereof.
Broken lines in the figures show portions of the accessory tray that form no part of the claimed design.

(56) **References Cited**

U.S. PATENT DOCUMENTS

D236,227 S * 8/1975 Kester, Jr. D6/681
D286,476 S * 11/1986 Adams D6/682
D332,442 S * 1/1993 Simpson, Sr. D6/682.2
D335,994 S * 6/1993 Cude, Jr. D6/682.2
5,396,993 A * 3/1995 Spitler A47J 47/16
248/37.3
D383,607 S * 9/1997 Whitlock D7/701
6,012,593 A * 1/2000 Knittel A47J 47/16
D7/638
D528,876 S * 9/2006 King D7/701
D655,410 S * 3/2012 Chu D24/128
9,149,336 B2 * 10/2015 Dane A61L 2/26

1 Claim, 7 Drawing Sheets



(56)

References Cited

U.S. PATENT DOCUMENTS

10,058,230 B2 * 8/2018 Gobl B65D 19/44
D872,300 S * 1/2020 Demsia D24/227
D895,837 S * 9/2020 Frey G09B 23/30
D24/227
D907,972 S * 1/2021 Wang D7/701
D925,304 S * 7/2021 Lukyanov D6/682.2
D938,789 S * 12/2021 Tu D7/701
D941,641 S * 1/2022 Zheng D7/637
D941,647 S * 1/2022 Winter D7/701
D945,606 S * 3/2022 Bellows D24/128
2012/0085720 A1 * 4/2012 Bettenhausen A61B 50/34
211/85.13

OTHER PUBLICATIONS

Organizer for SoClean Device Disinfector, Soclean inc.,
Directhomemedical.com [Post date May 8, 2021], [Site seen May
26, 2022], Seen at URL: [https://www.directhomemedical.com/
pn1530-soclean-device-disinfector-organizer.html](https://www.directhomemedical.com/pn1530-soclean-device-disinfector-organizer.html) (Year: 2021).*

* cited by examiner

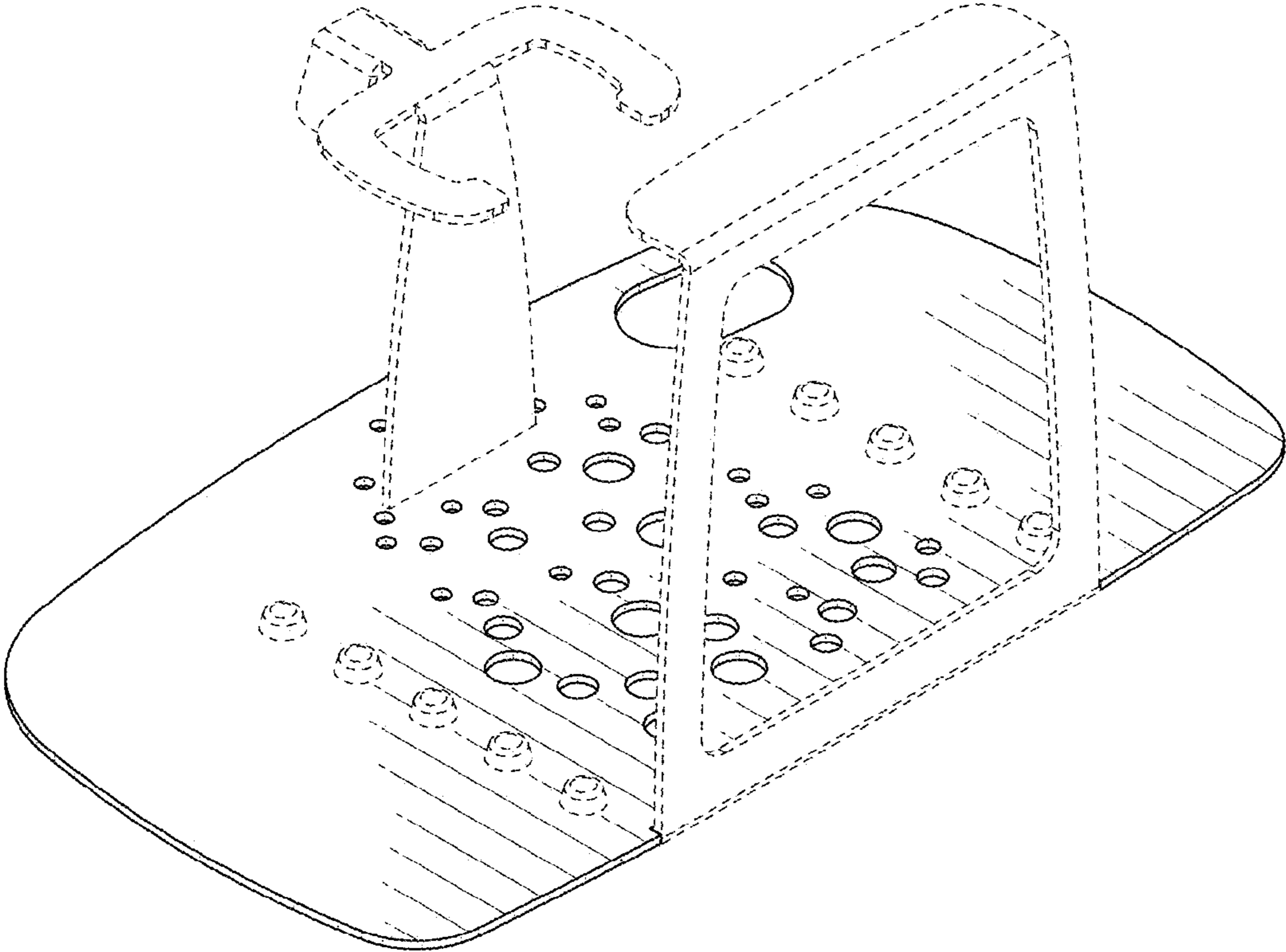


FIG. 1

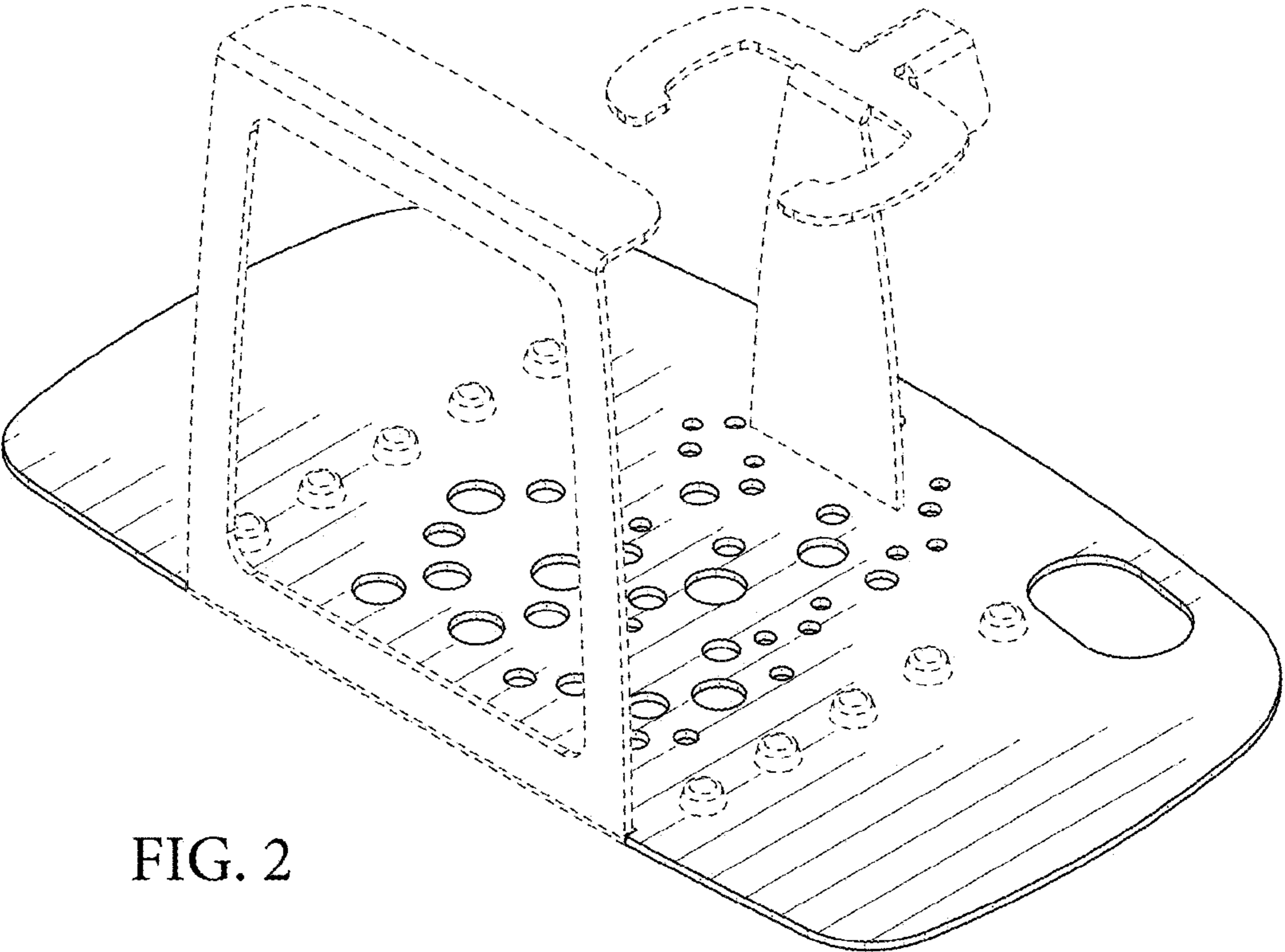


FIG. 2

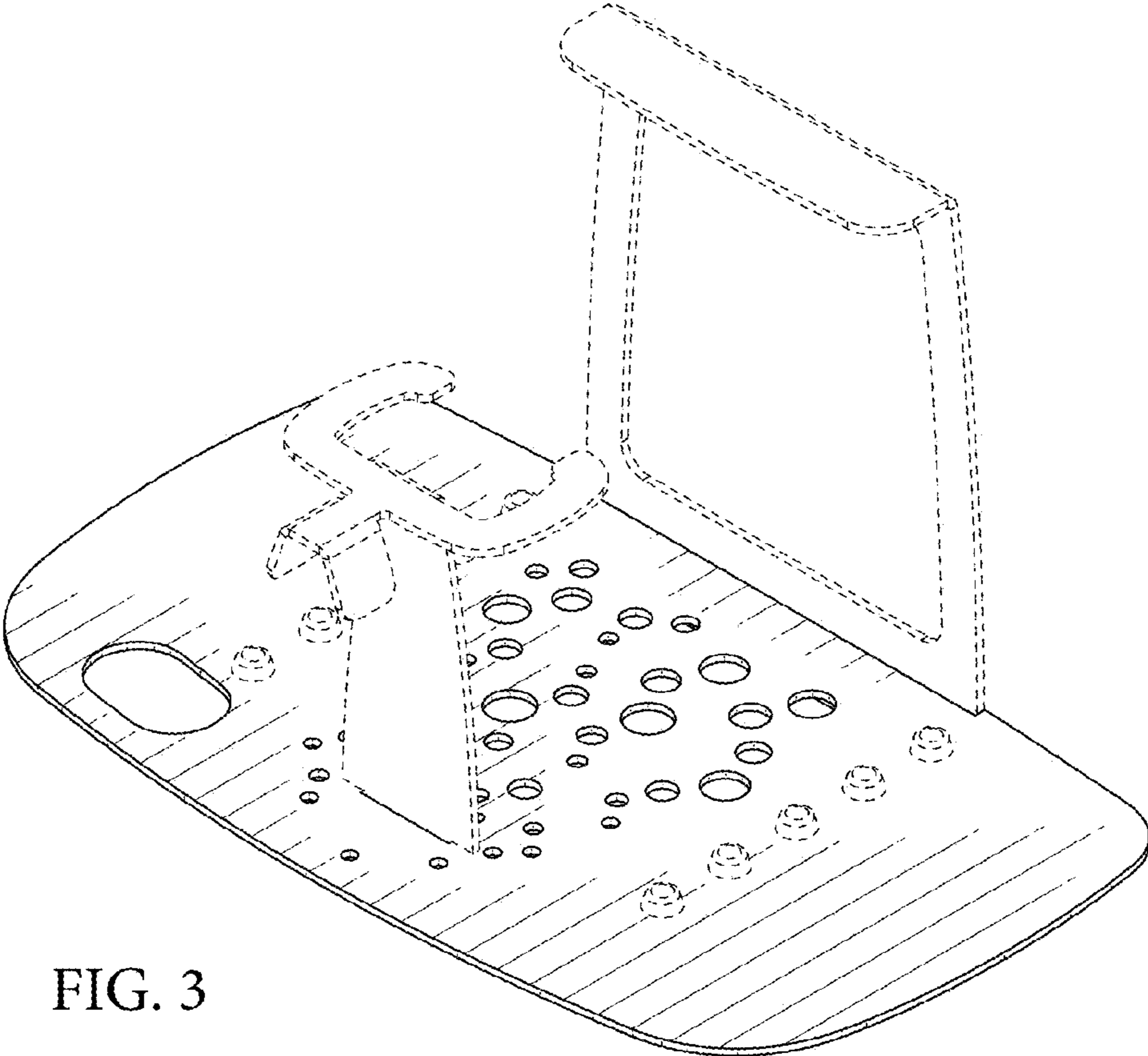


FIG. 3

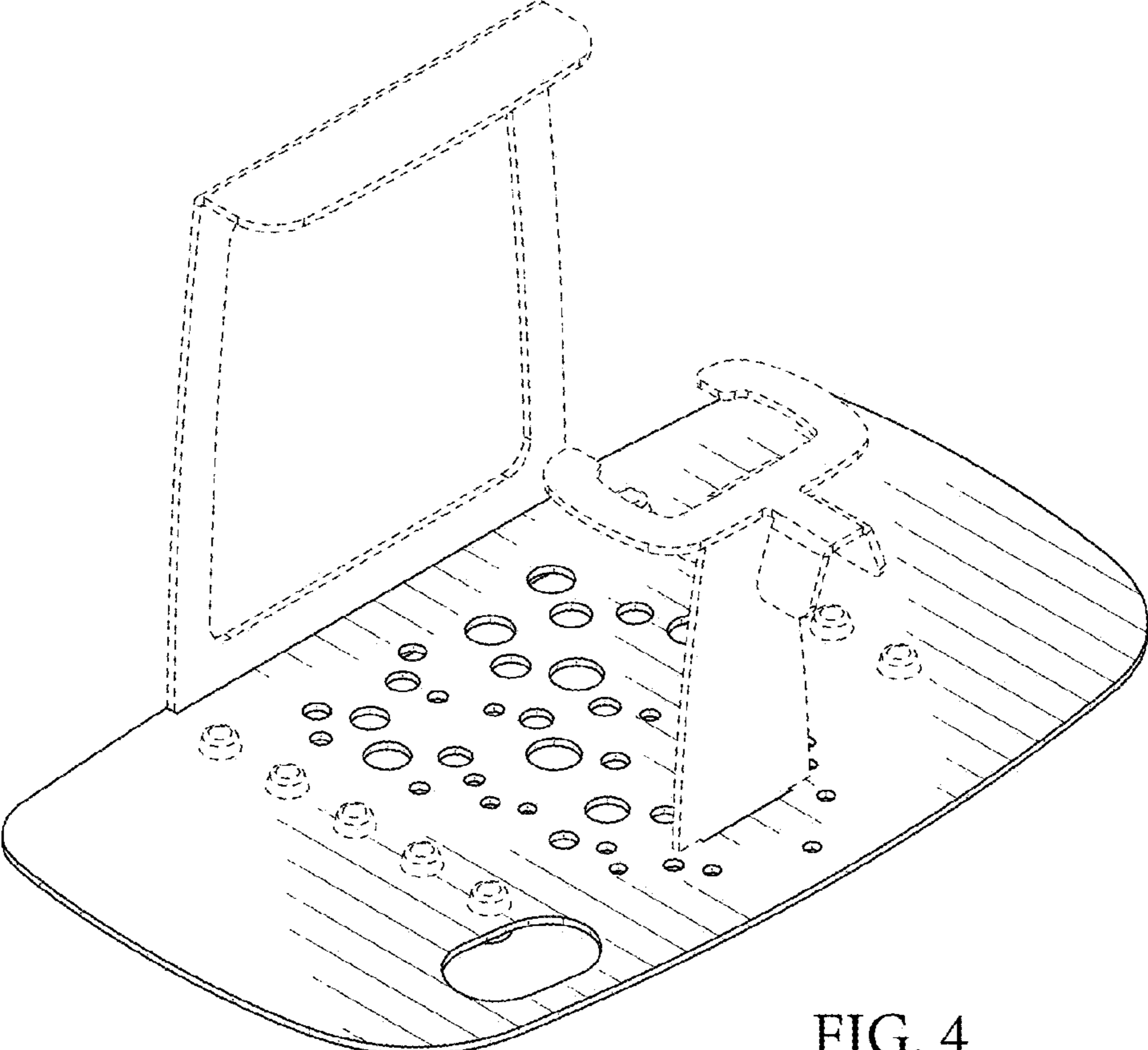


FIG. 4

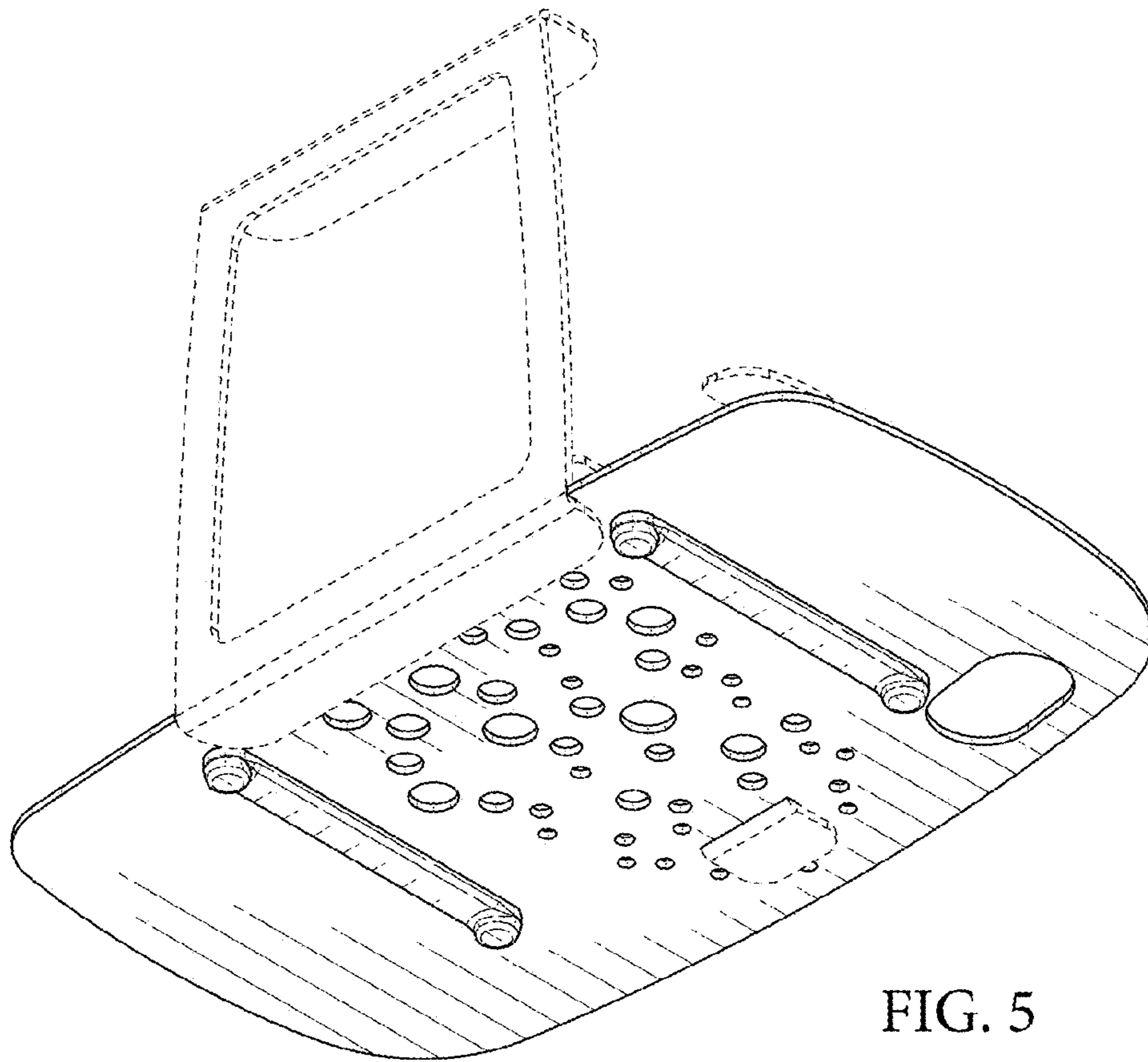


FIG. 5

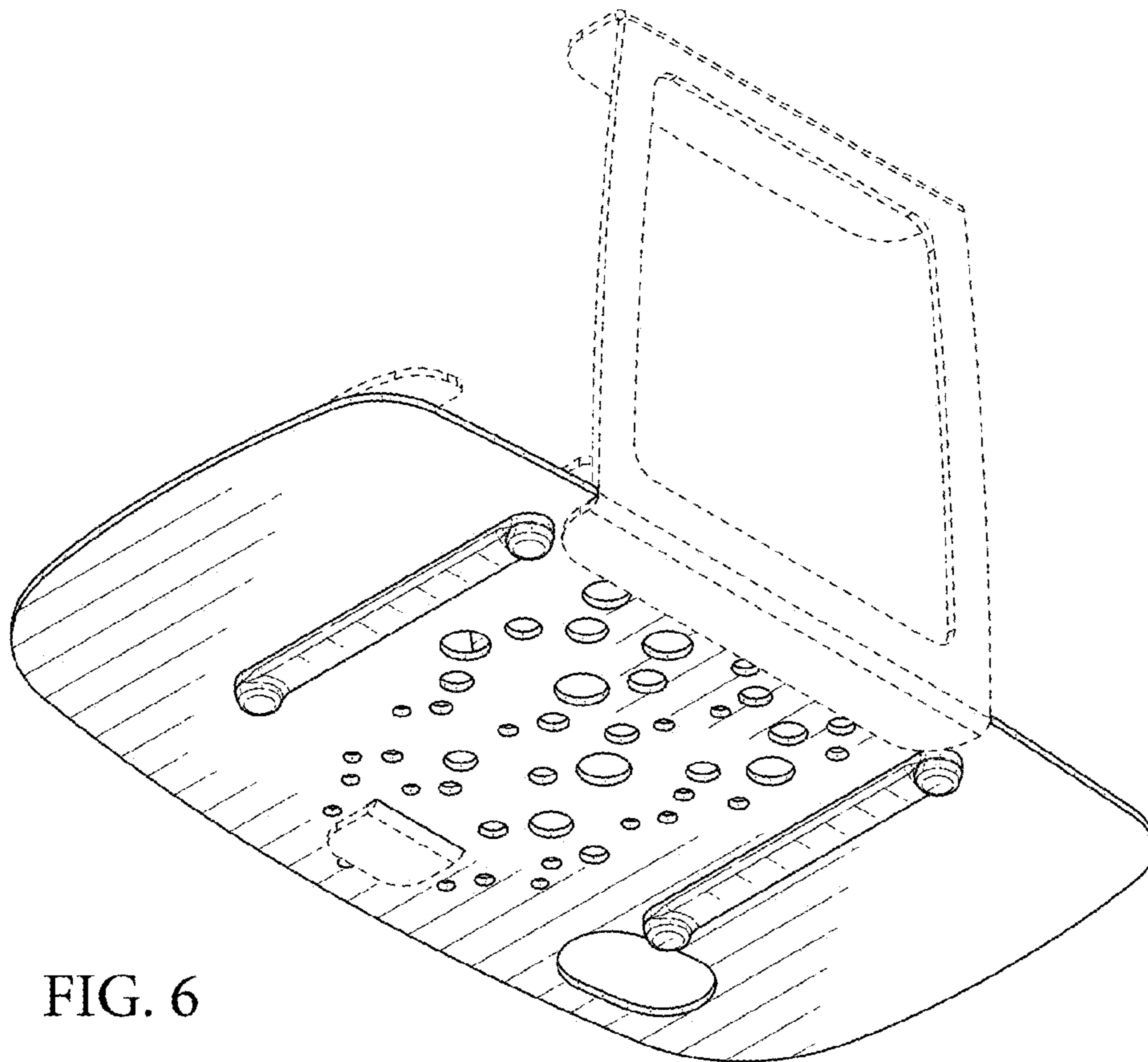


FIG. 6

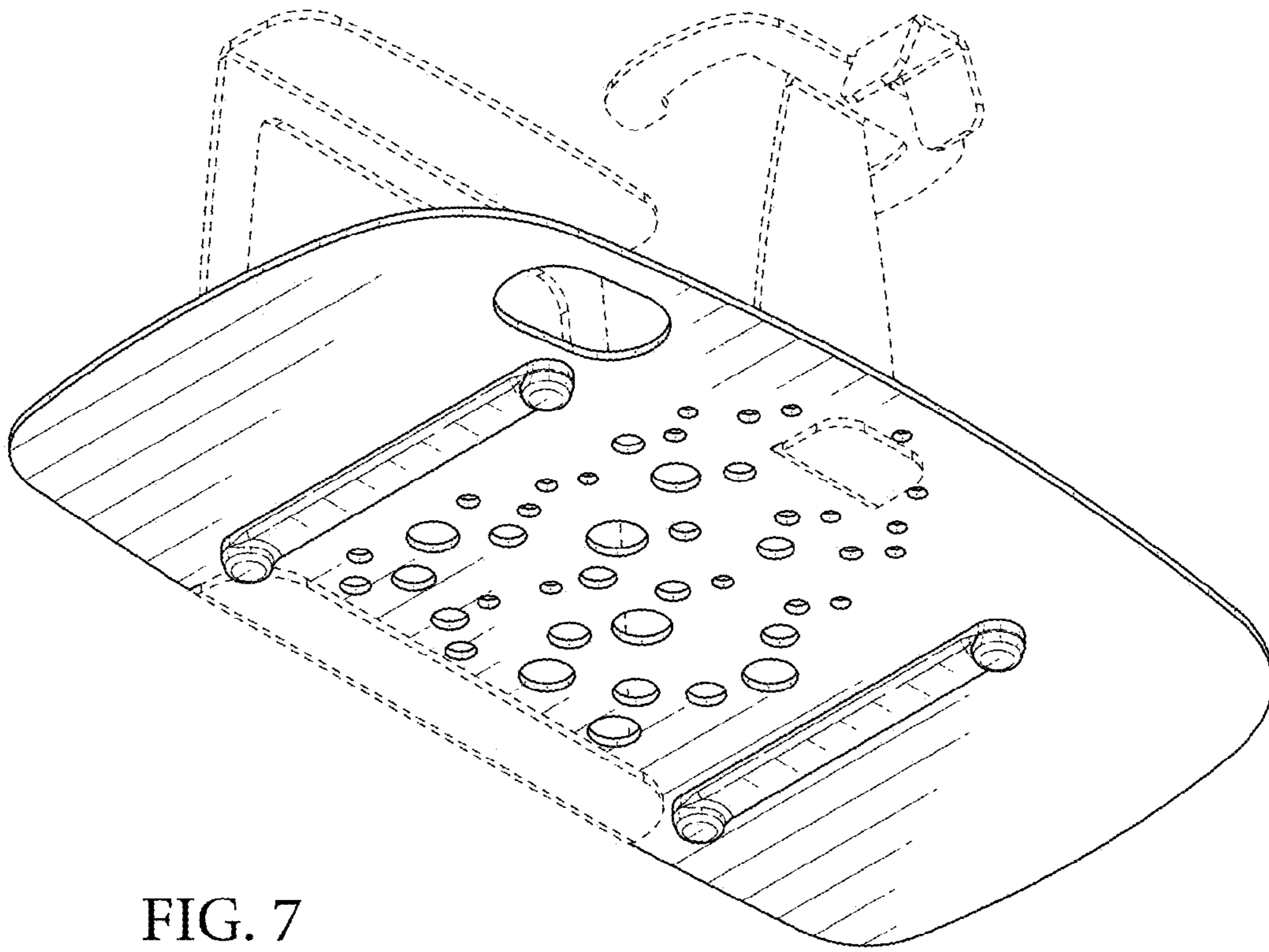


FIG. 7

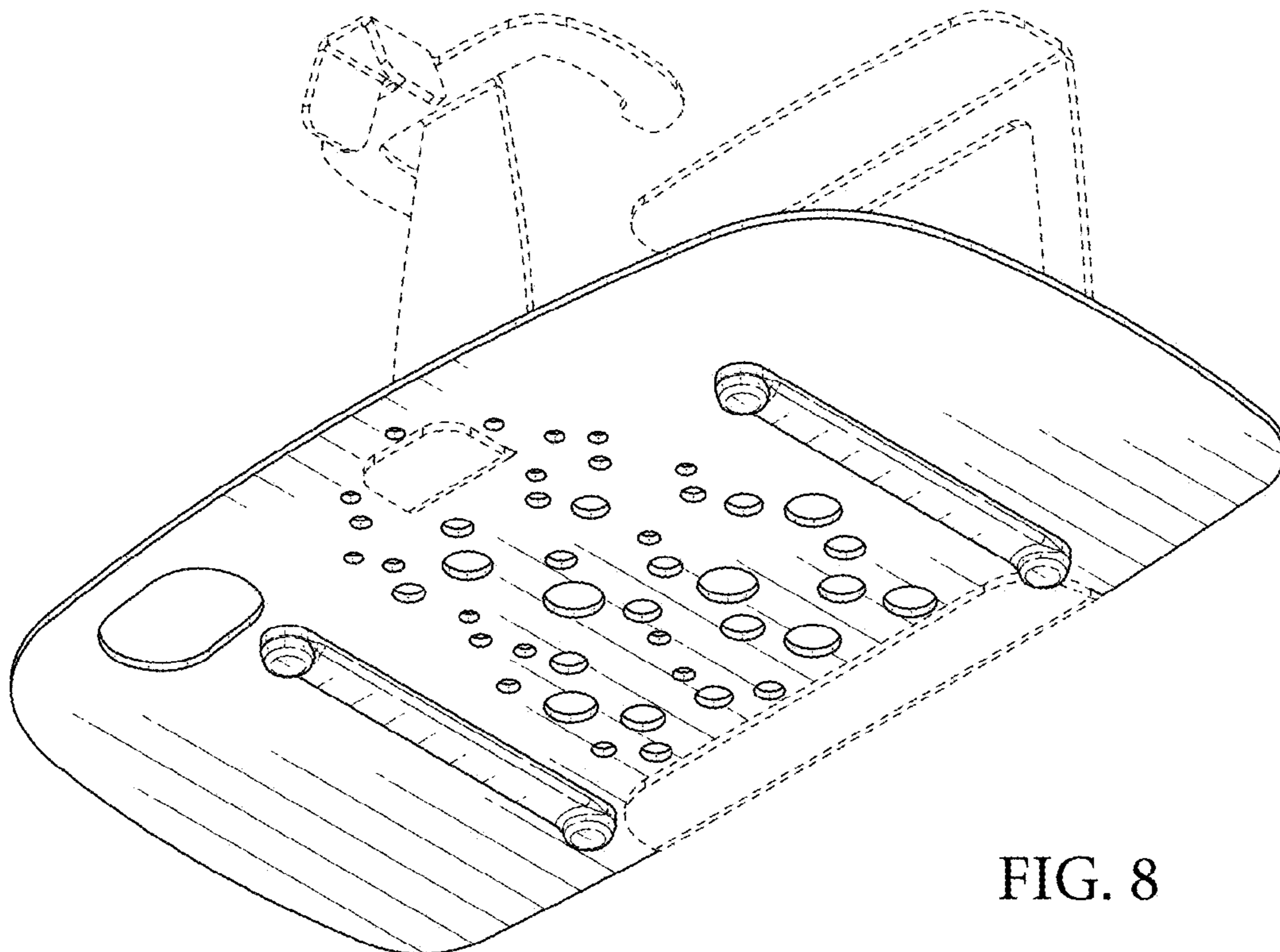


FIG. 8

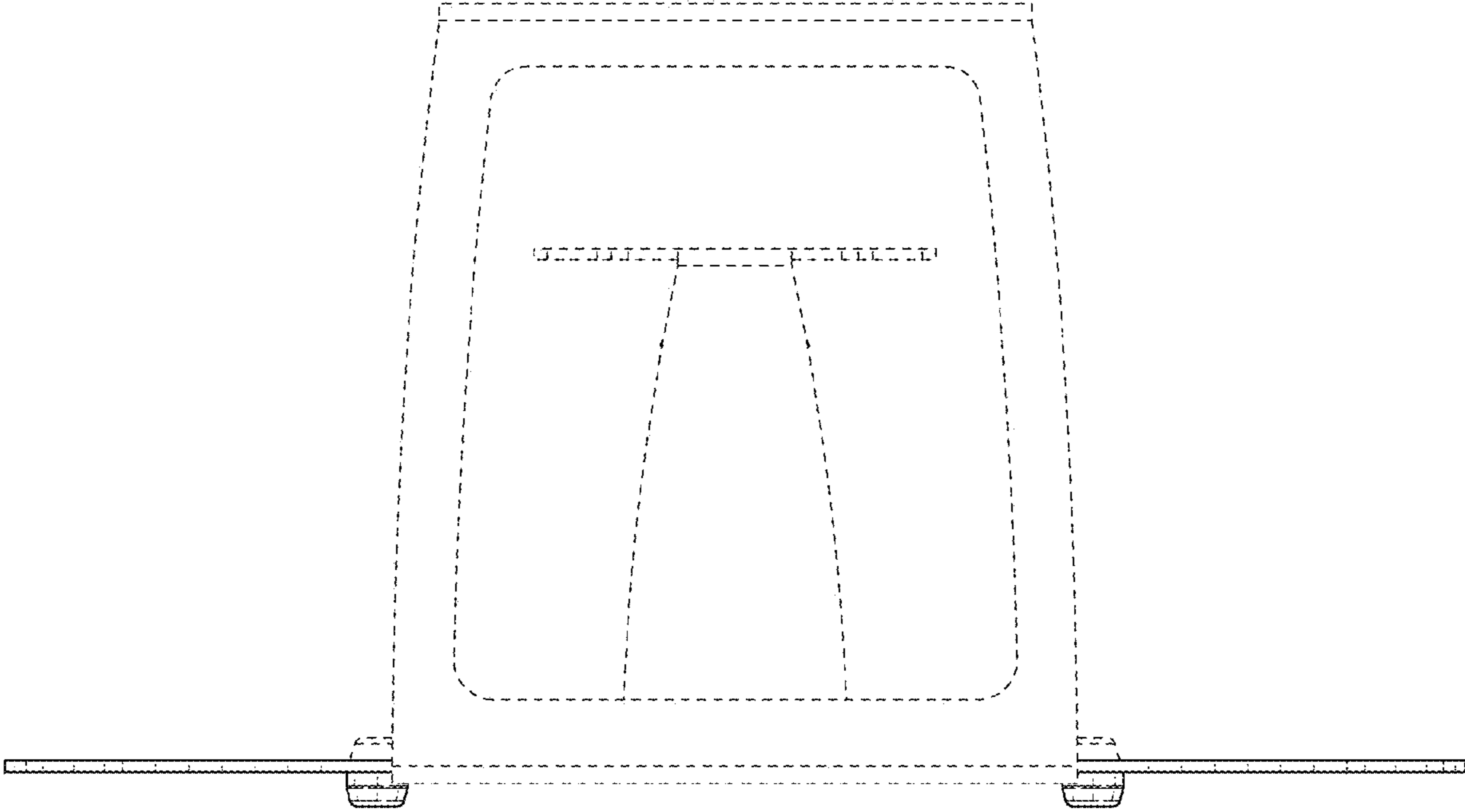


FIG. 9

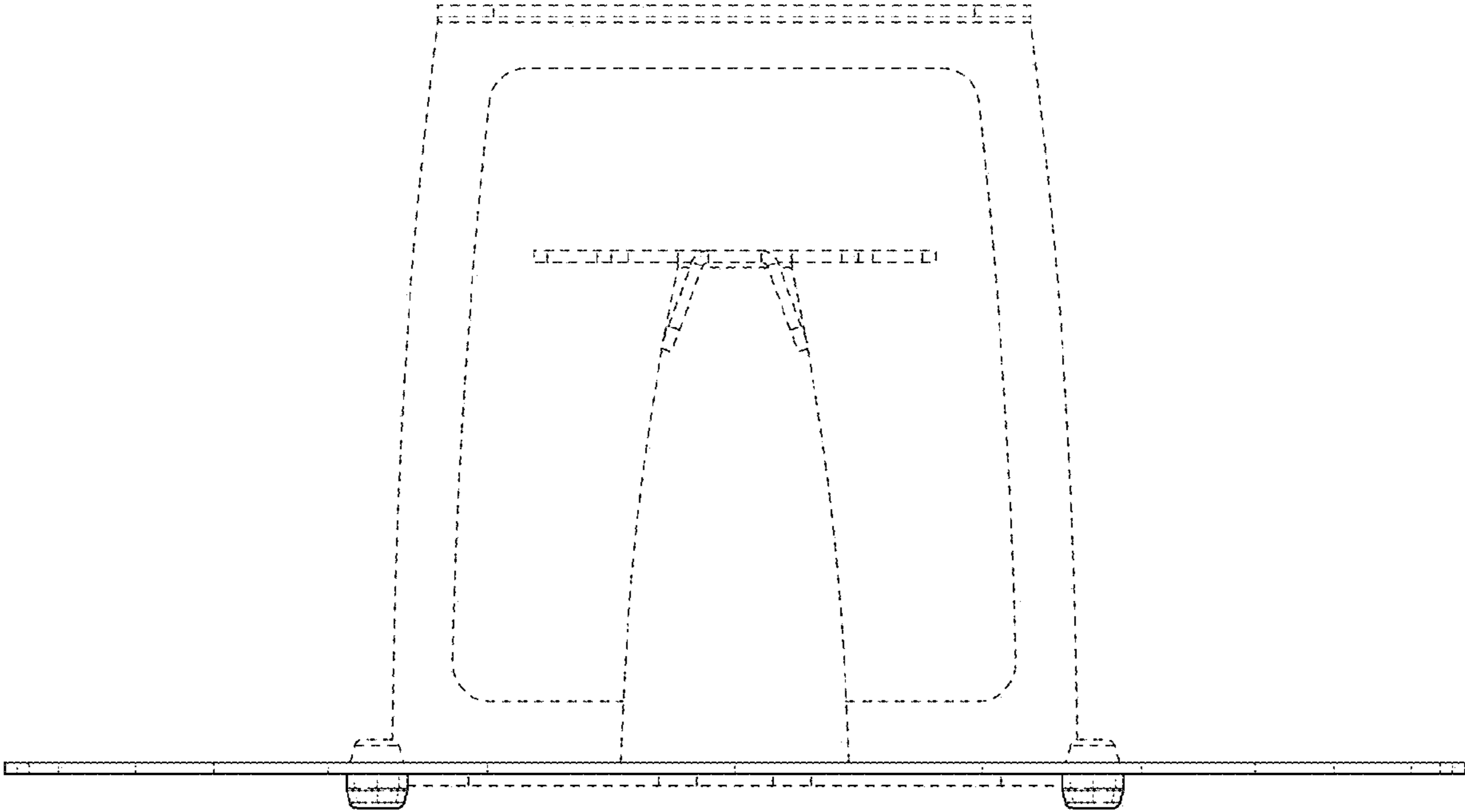


FIG. 10

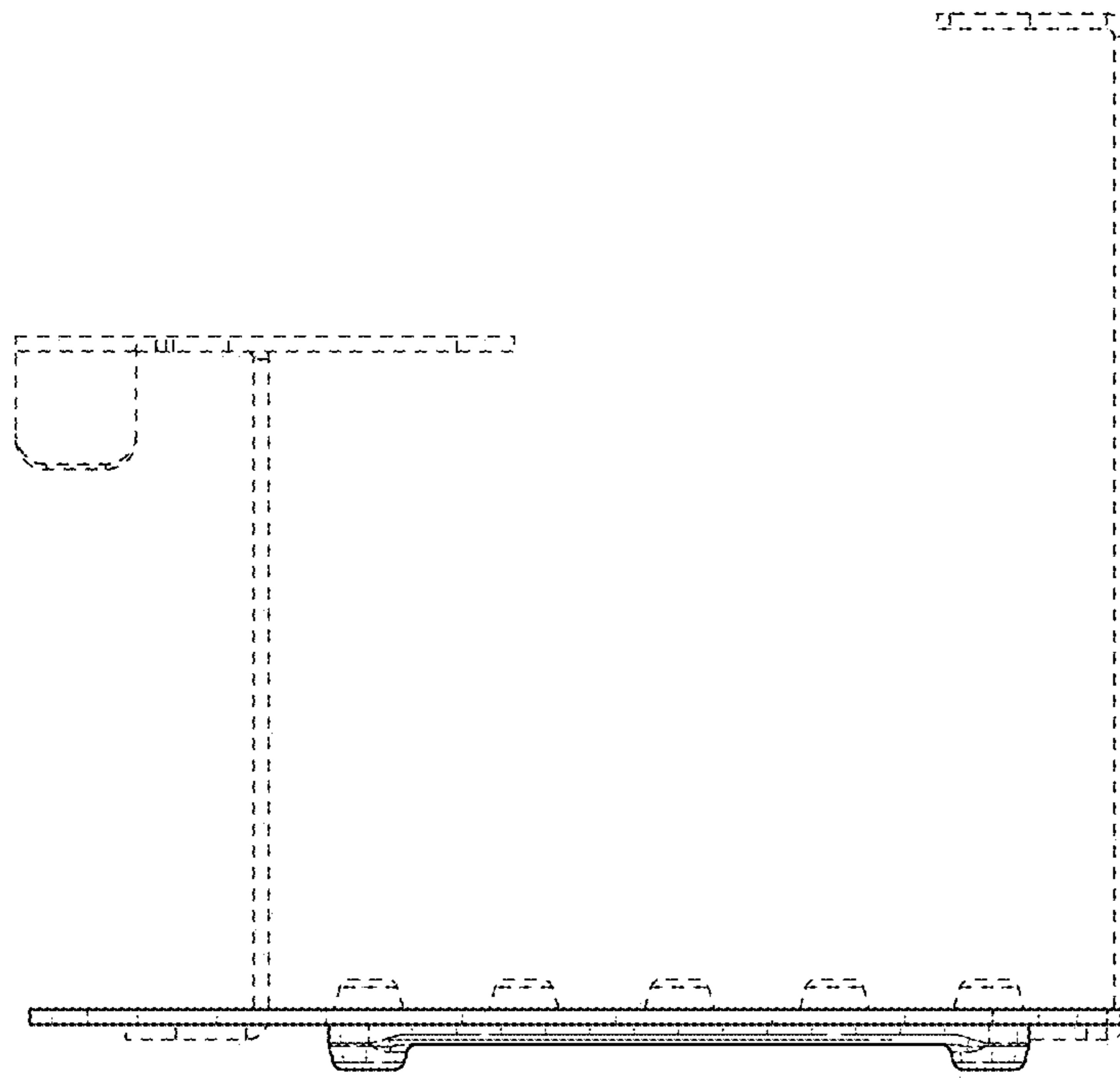


FIG. 11

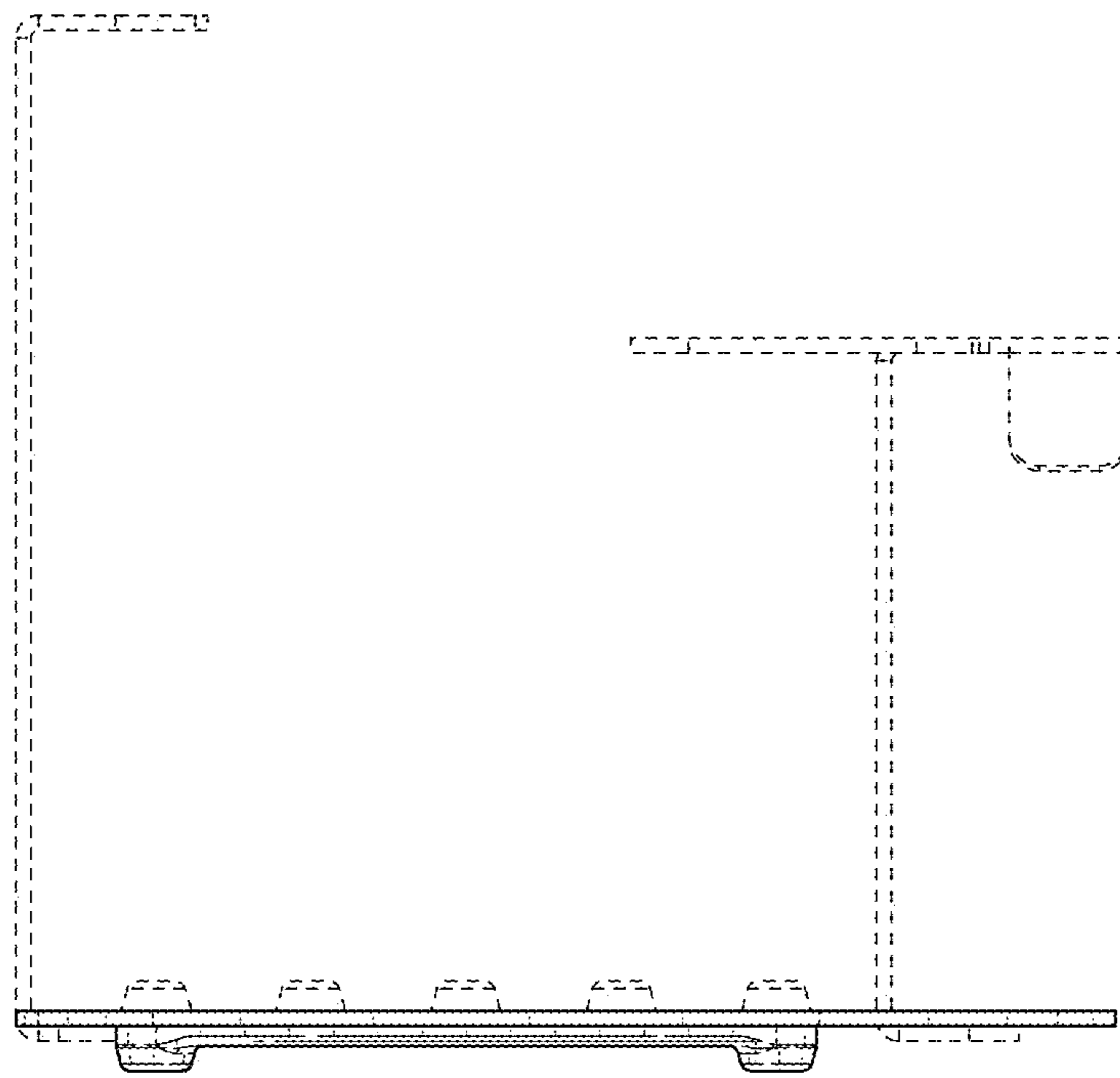


FIG. 12

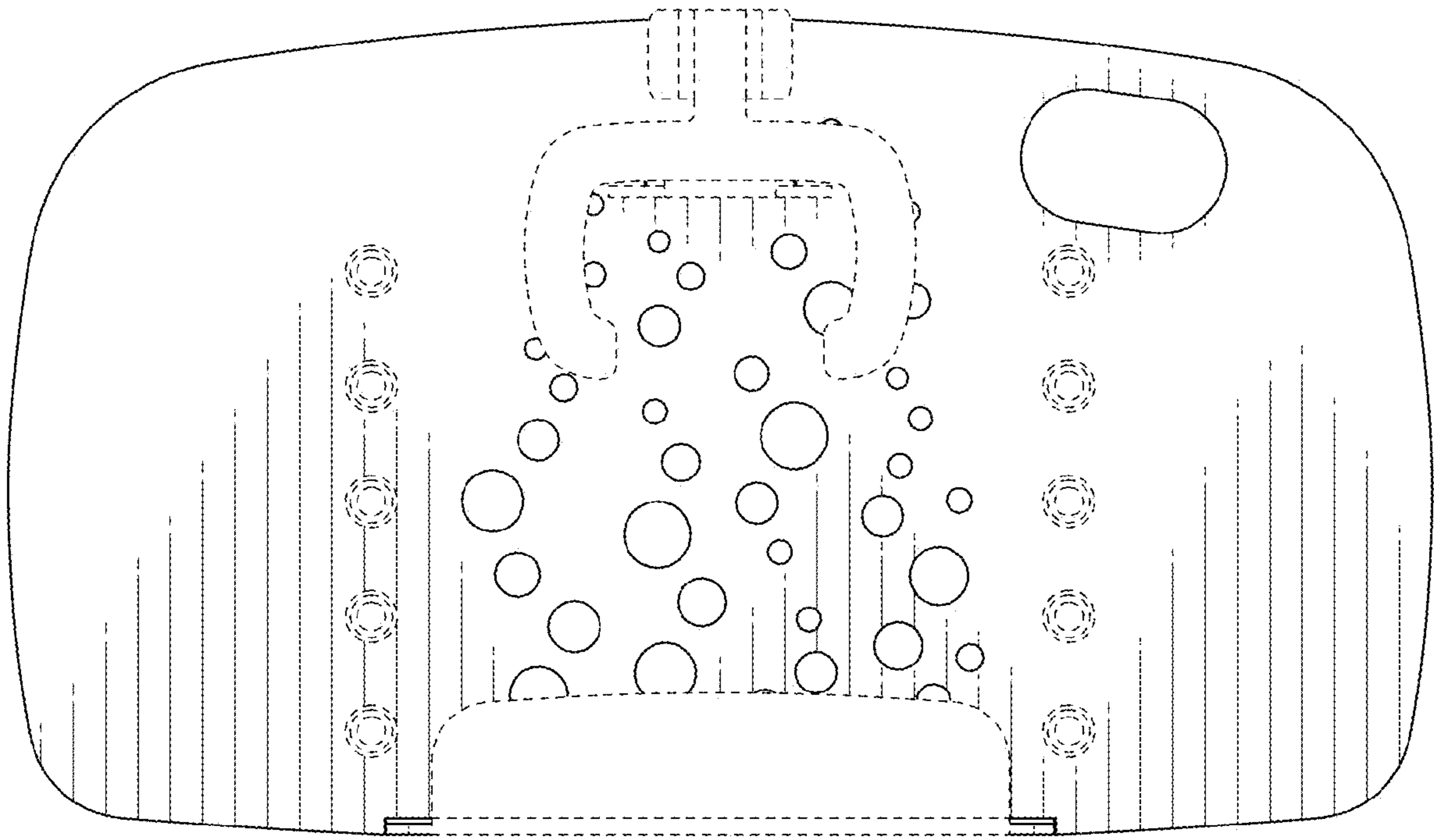


FIG. 13

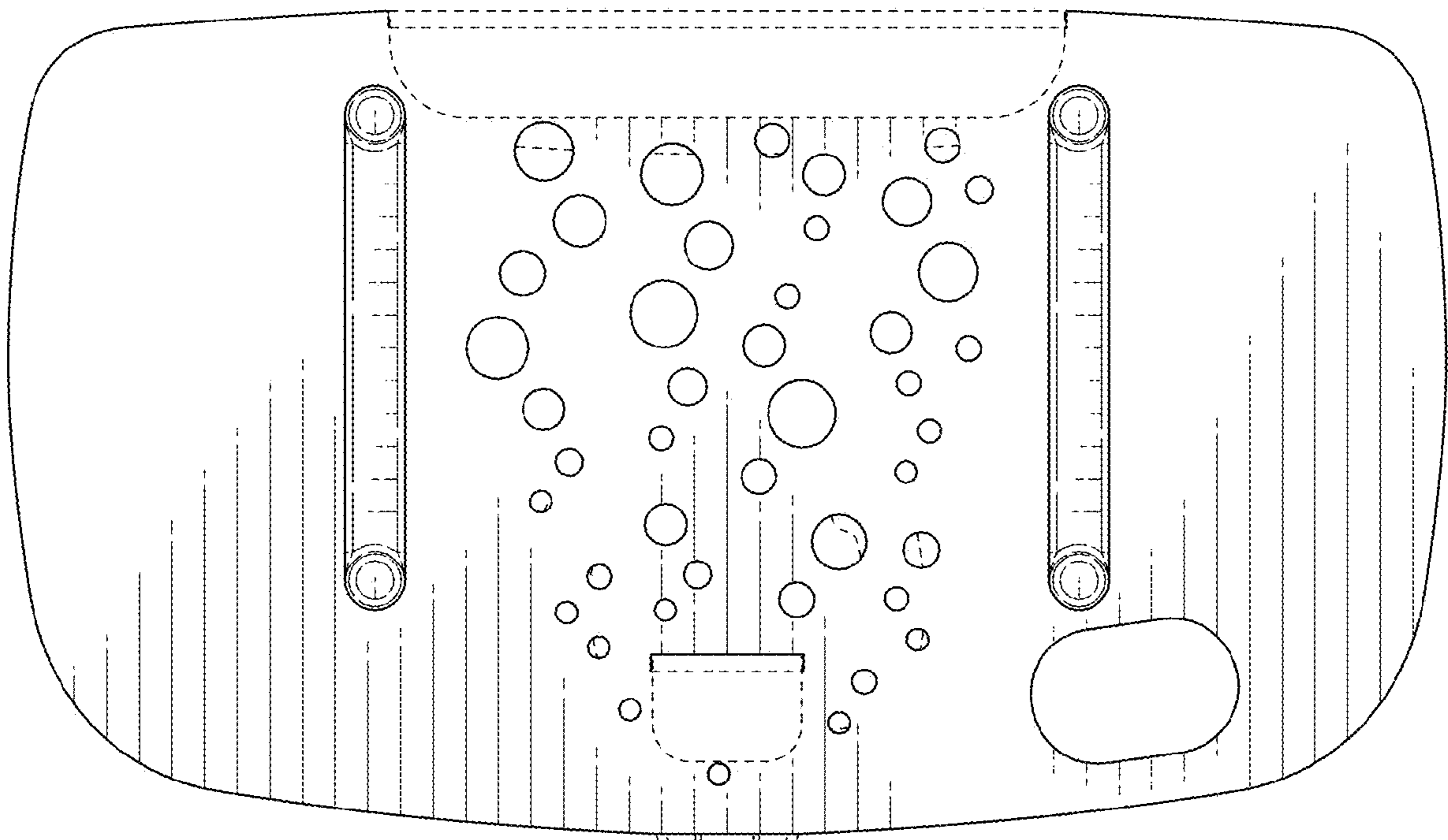


FIG. 14