

US00D966544S

(12) **United States Design Patent**
Li

(10) **Patent No.:** **US D966,544 S**

(45) **Date of Patent:** **** Oct. 11, 2022**

(54) **MASSAGER**

(71) Applicant: **Xiamen Comfier Technology Co., Ltd,**
Fujian (CN)

(72) Inventor: **Jianqing Li, Xiamen (CN)**

(**) Term: **15 Years**

(21) Appl. No.: **29/774,296**

(22) Filed: **Mar. 16, 2021**

(51) **LOC (13) Cl.** **28-03**

(52) **U.S. Cl.**
USPC **D24/215**

(58) **Field of Classification Search**
USPC D24/191, 200, 211, 212, 213, 214, 215
CPC A61H 2205/04; A61H 7/007; A61H
2201/1609; A61H 2205/062; A61H
2201/0207

See application file for complete search history.

(56) **References Cited**

U.S. PATENT DOCUMENTS

D649,655 S *	11/2011	Petersen	D24/215
D674,501 S *	1/2013	Petersen	D24/215
D816,858 S *	5/2018	Gan	D24/215
D818,596 S *	5/2018	Zheng	D24/200
D847,361 S *	4/2019	Lee	D24/215
D849,256 S *	5/2019	Lin	D24/200
D850,643 S *	6/2019	Zhong	D24/215

D851,272 S *	6/2019	Huang	D24/215
D887,019 S *	6/2020	Wang	D24/215
D939,099 S *	12/2021	Guerizec	D24/215
D949,397 S *	4/2022	Jiang	D24/215
D950,090 S *	4/2022	Qiu	D24/215

* cited by examiner

Primary Examiner — Michael A Maharajh

(57) **CLAIM**

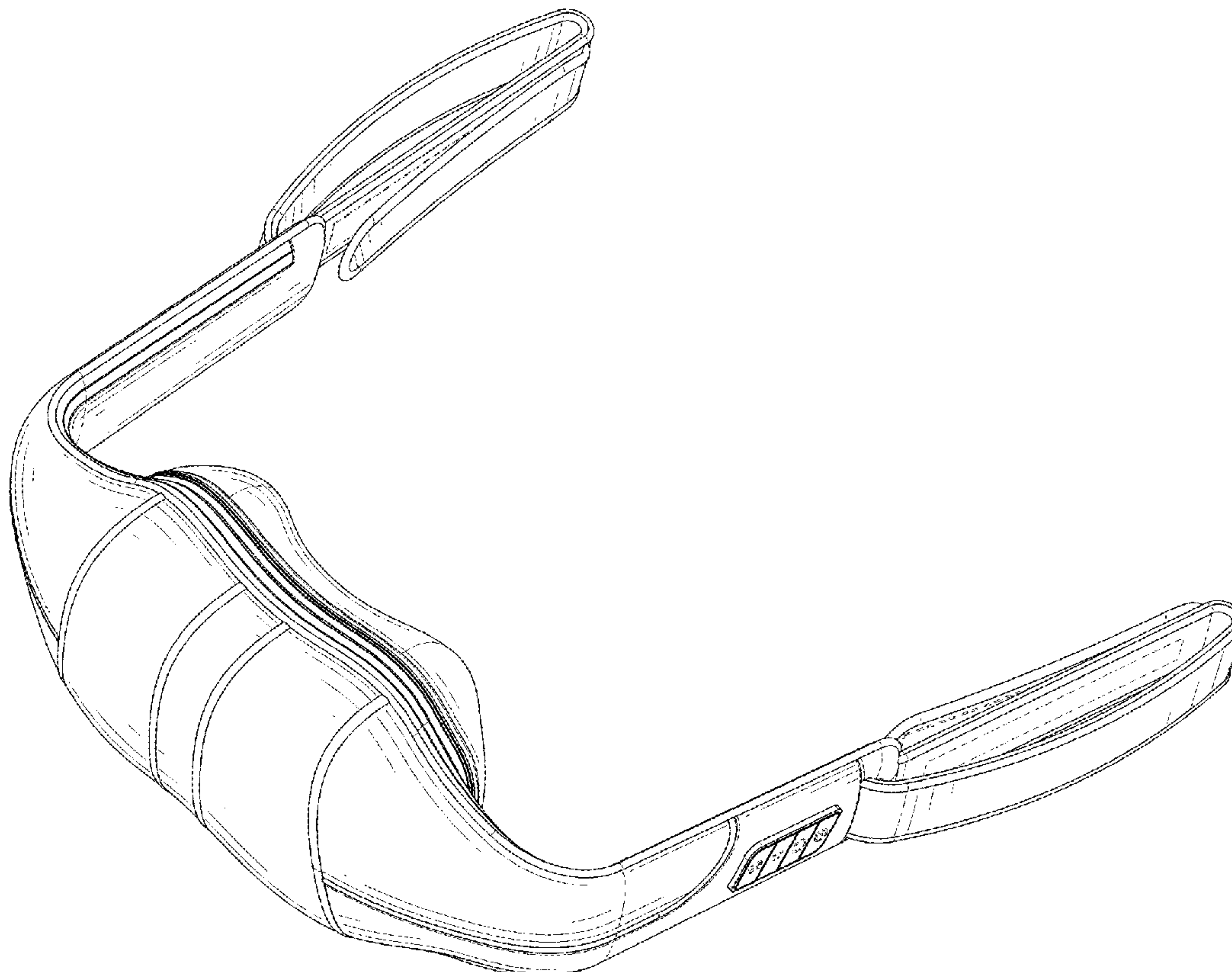
The ornamental design for a massager, as shown and described.

DESCRIPTION

FIG. 1 is a front and top perspective view of a massager, showing my new design;
 FIG. 2 is a rear and bottom perspective view thereof;
 FIG. 3 is a front elevation view thereof;
 FIG. 4 is a rear elevation view thereof;
 FIG. 5 is a left side elevation view thereof;
 FIG. 6 is a right side elevation view thereof;
 FIG. 7 is a top plan view thereof;
 FIG. 8 is a bottom plan view thereof;
 FIG. 9 is an enlarged view of a portion labeled, 'FIG. 9' in FIG. 2; and,
 FIG. 10 is an enlarged view of a portion labeled, 'FIG. 10' in FIG. 2.

The broken lines in the figures illustrate portions of the massager that form no part of the claimed design. The dash dot dash lines in FIGS. 2, 9 and 10 are for the purpose of depicting the cut line of the enlarged view and form no part of the claim.

1 Claim, 10 Drawing Sheets



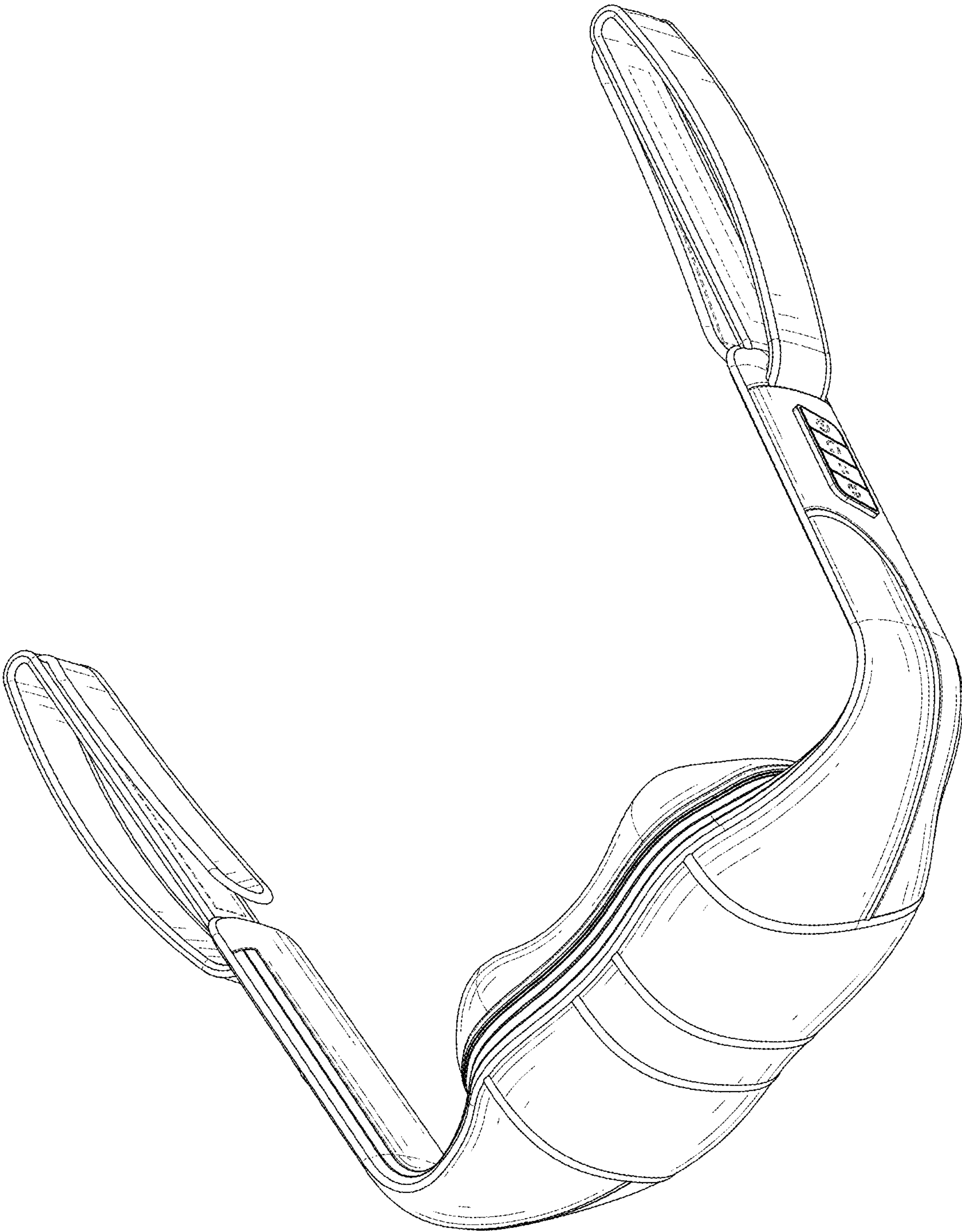


FIG. 1

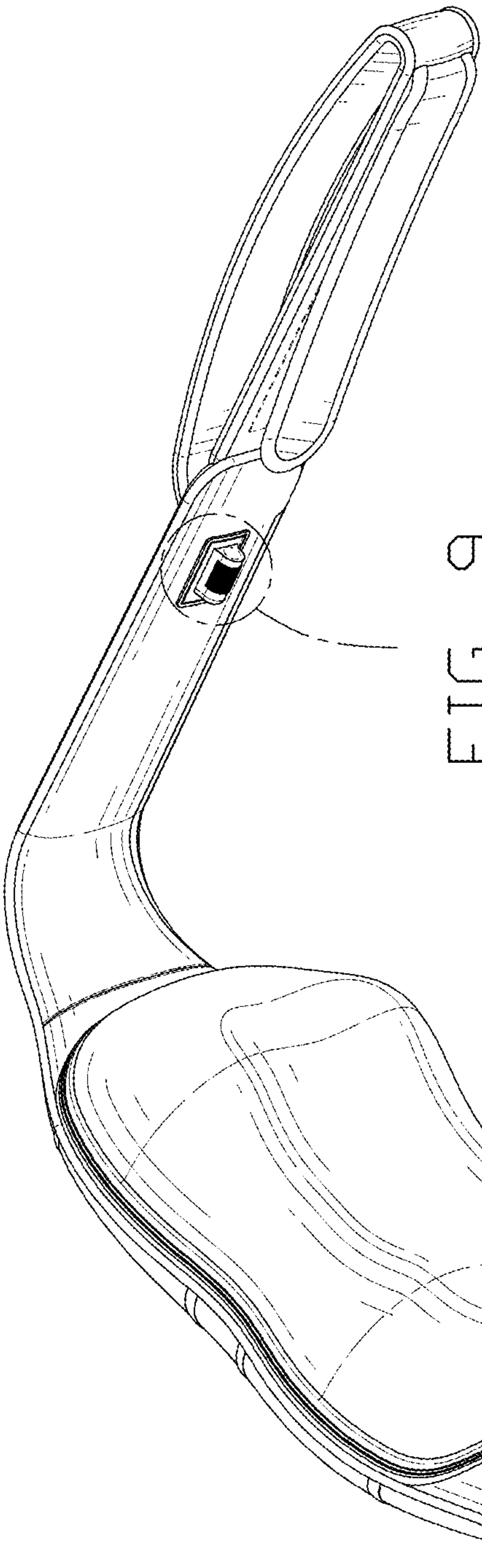


FIG. 9

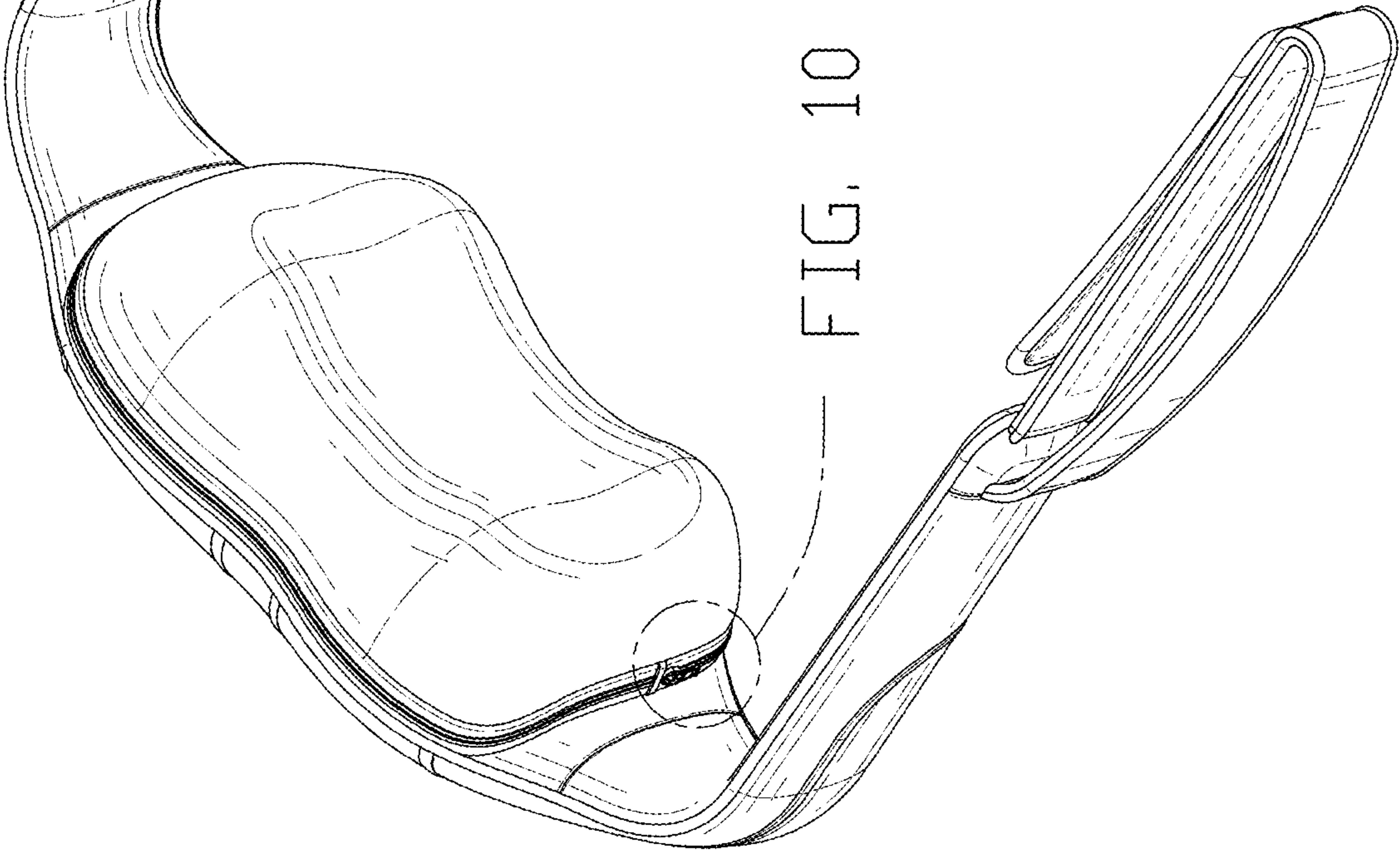


FIG. 10

FIG. 2

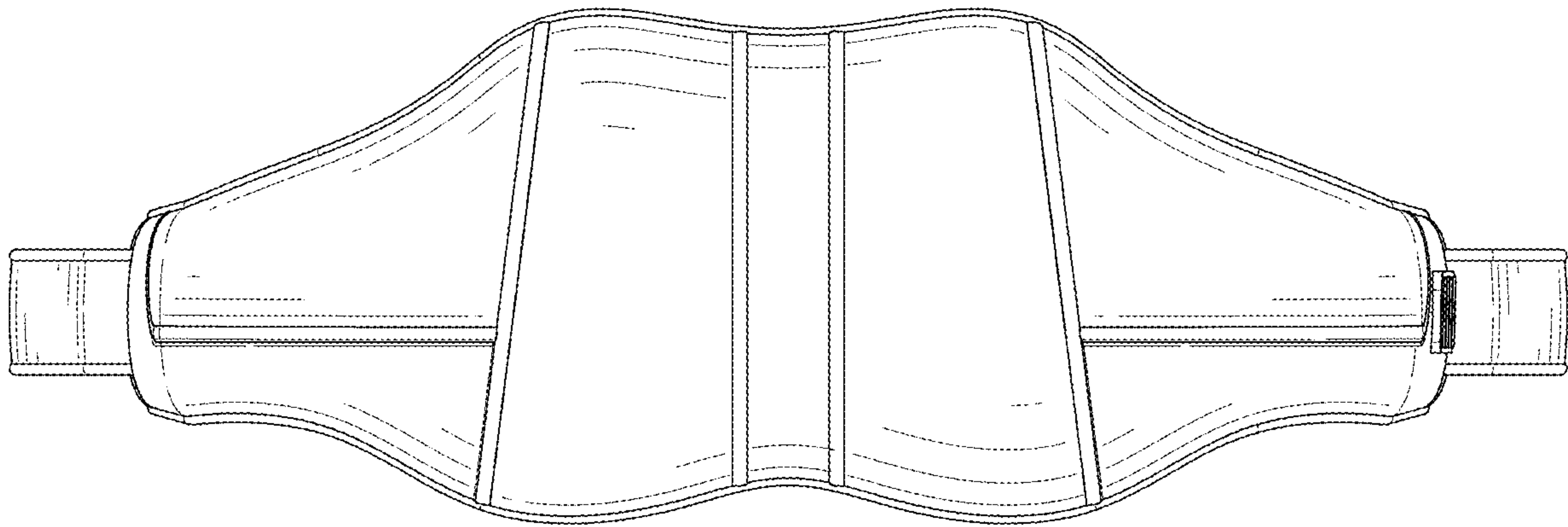


FIG. 3

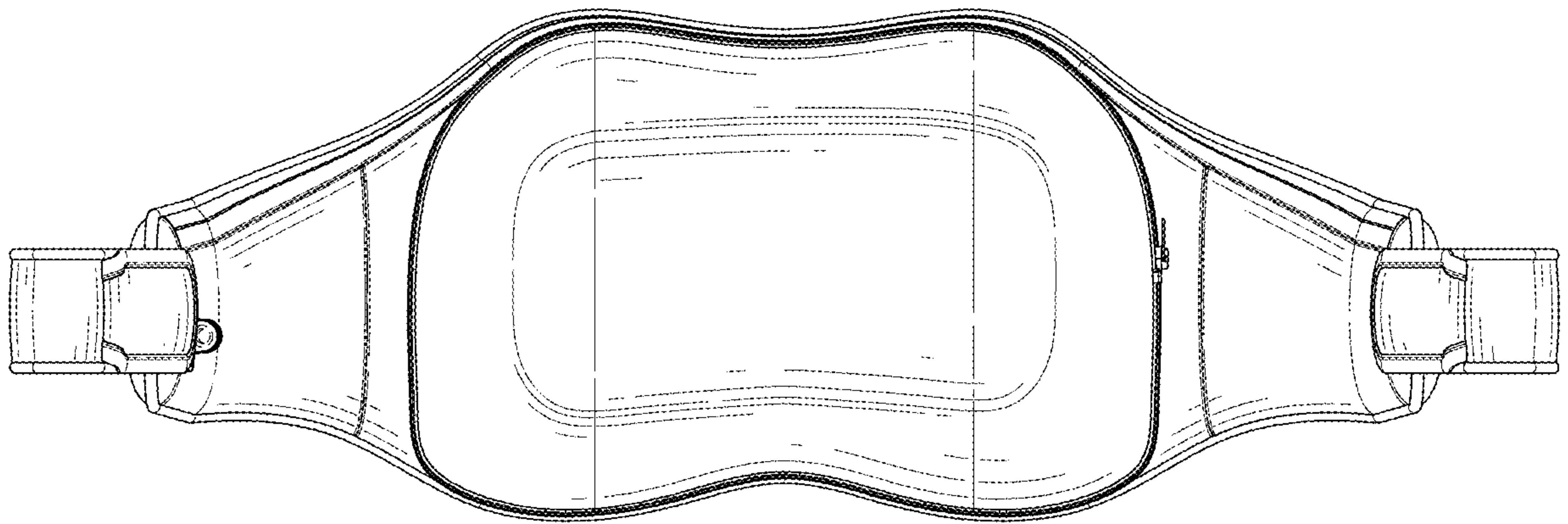


FIG. 4

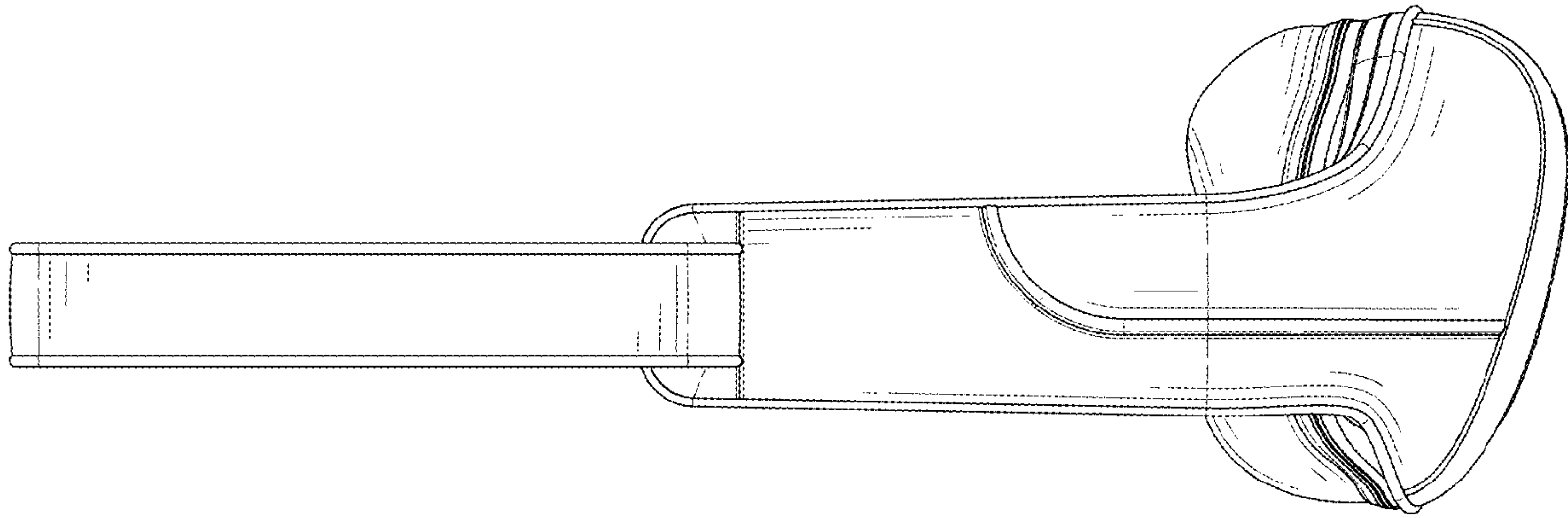


FIG. 5

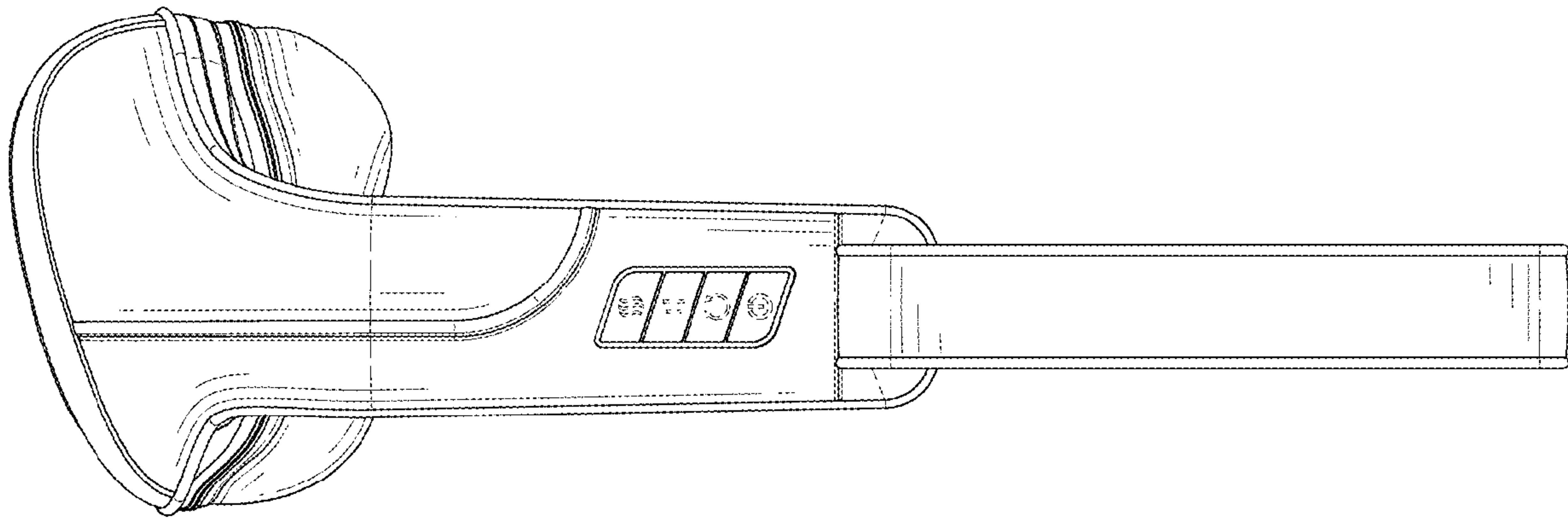


FIG. 6

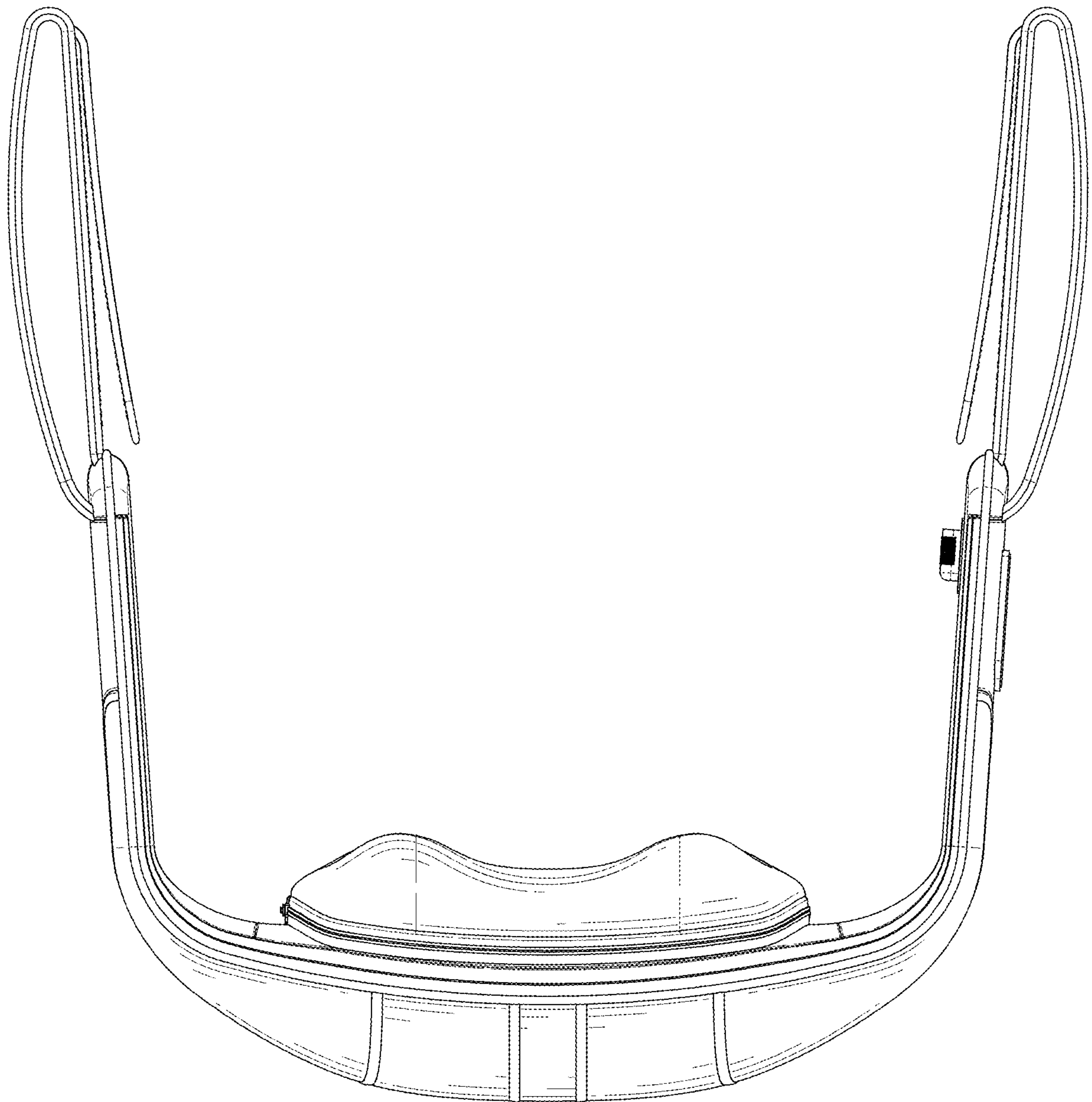


FIG. 7

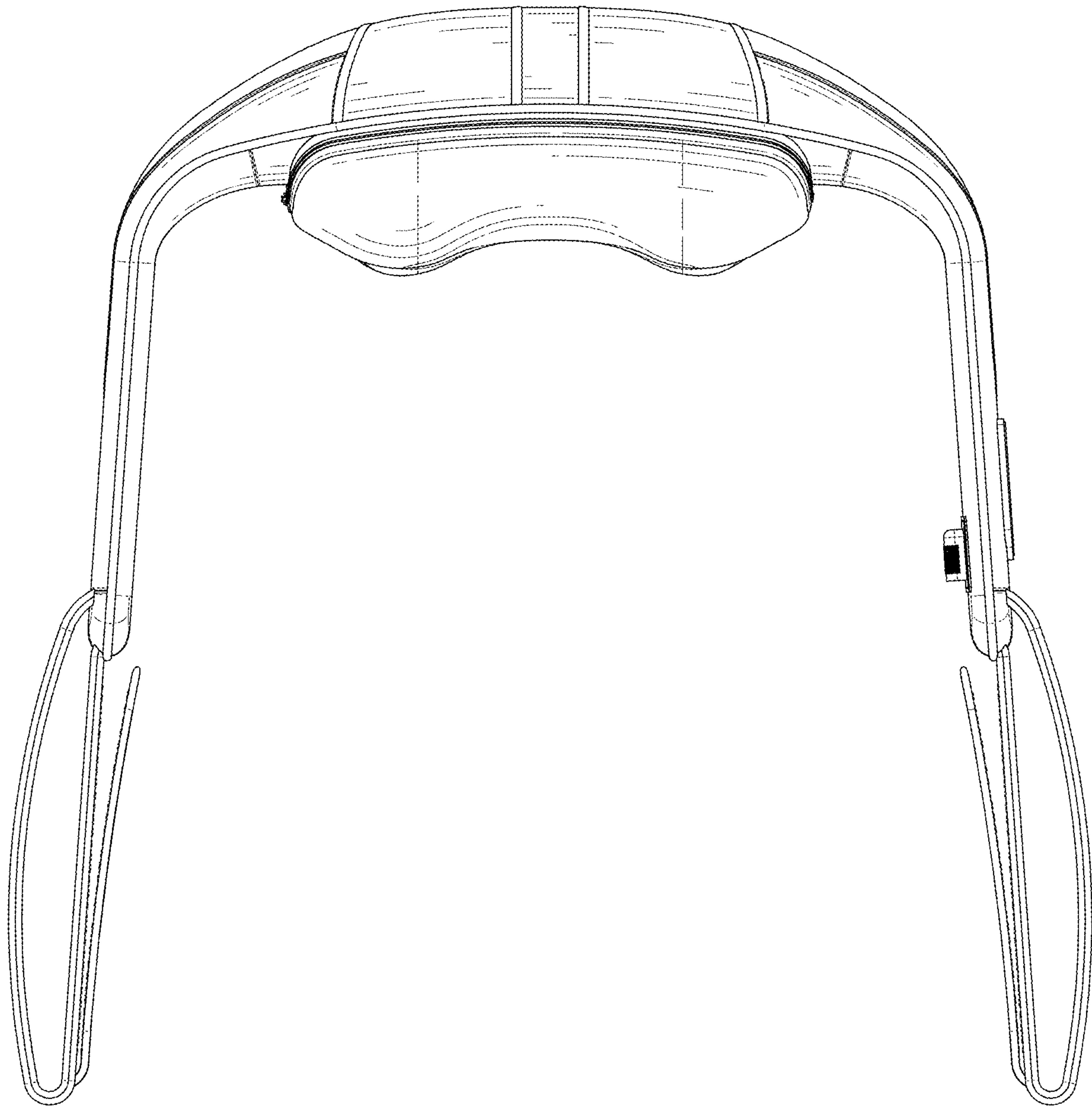


FIG. 8

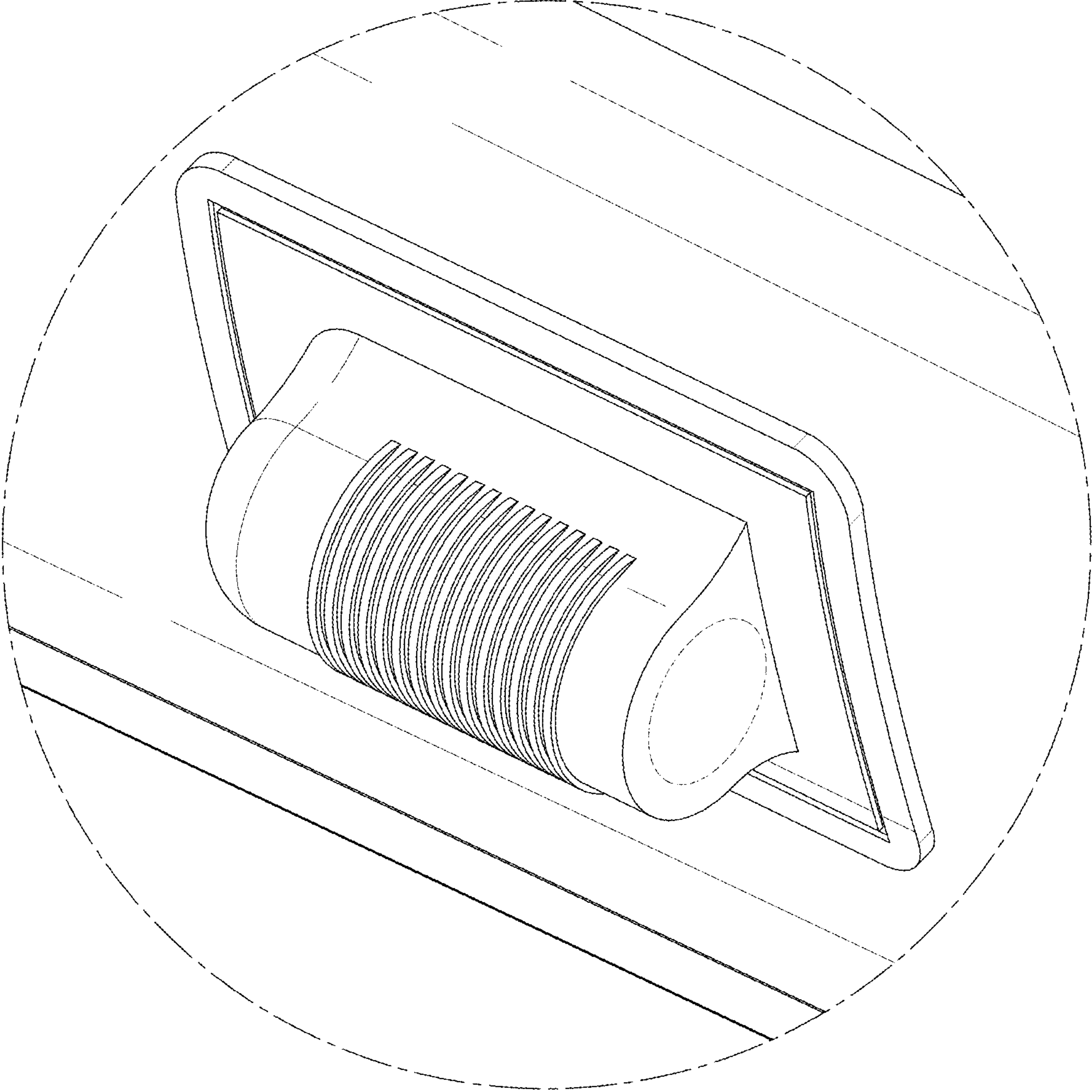


FIG. 9

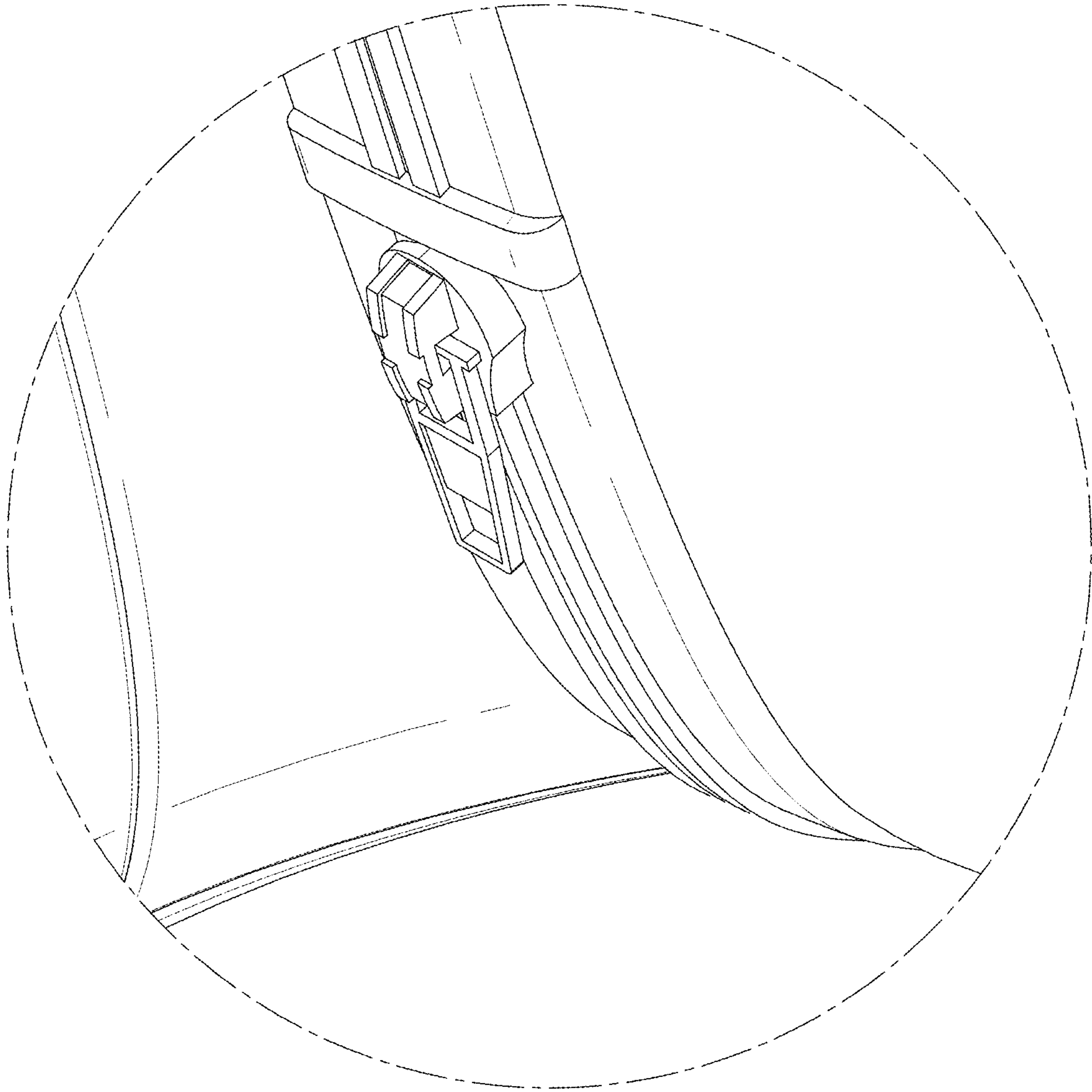


FIG. 10