



US00D966542S

(12) **United States Design Patent**
Yang

(10) **Patent No.:** **US D966,542 S**
(45) **Date of Patent:** **** Oct. 11, 2022**

(54) **MESSAGE HALF BALL**

FOREIGN PATENT DOCUMENTS

(71) Applicant: **Yiwu Zhongai Sports Goods Co., Ltd.**, Yiwu (CN)

CN 306499049 S 4/2021

(72) Inventor: **Tongshu Yang**, Yiwu (CN)

OTHER PUBLICATIONS

(73) Assignee: **Yiwu Zhongai Sports Goods Co., Ltd.**, Yiwu (CN)

Zynni—Massage Yoga Balls. Date: Jul. 3, 2019. [online], [Site visited Jul. 25, 2022], Available from Internet URL: <https://www.amazon.co.uk/dp/B07TVGFCWD/> (Year: 2019).*

(**) Term: **15 Years**

Massage balls. (Design—© Questel) orbit.com. [Online PDF compilation of references] 12 pgs. Print Dates Range Mar. 2, 2016-Nov. 30, 2021 [Retrieved Jul. 25, 2022] <https://www.orbit.com/export/UCZAH96B/pdf4/a3419b1f-0100-4bdd-a1a2-1cca38724e3a-231851.pdf> (Year: 2022).*

(21) Appl. No.: **29/809,746**

* cited by examiner

(22) Filed: **Sep. 29, 2021**

(51) **LOC (13) Cl.** **28-03**

(52) **U.S. Cl.**
USPC **D24/211**

(58) **Field of Classification Search**
USPC D24/215, 200, 211, 212, 213, 214, 133, D24/107, 231, 184; D21/662, 671, 686, D21/688, 399; D32/29.1; D30/160; D28/4, 7
CPC A61H 7/00; A61H 7/003; A61H 7/005; A61H 15/00; A61H 2015/0028; A61H 2015/0042; A61H 15/0085

Primary Examiner — Susan Bennett Hattan
Assistant Examiner — Landon Thomas Cassell
(74) *Attorney, Agent, or Firm* — ScienBiziP, P.C.

See application file for complete search history.

(57) **CLAIM**

The ornamental design for a massage half ball, as shown and described.

(56) **References Cited**

DESCRIPTION

U.S. PATENT DOCUMENTS

D501,257 S *	1/2005	Huang	D24/214
D507,608 S *	7/2005	Chen	D21/686
D546,907 S *	7/2007	Dykgraaf	D21/662
D660,928 S *	5/2012	Guarrasi	D21/688
D694,421 S	11/2013	Anderson		
D827,845 S	9/2018	Phillips		
10,130,549 B2 *	11/2018	Balducci	A61H 15/00
D843,002 S *	3/2019	Yarborough	D24/211
D849,262 S *	5/2019	Downare	D24/211
D859,533 S *	9/2019	Landi, Jr.	D28/99
D860,469 S *	9/2019	Wattu	D24/211
D906,528 S *	12/2020	Qiao	D24/211
D913,515 S *	3/2021	Miranda	D24/211
D955,594 S *	6/2022	Yang	D24/211

FIG. 1 is a front, right and top perspective view of a massage half ball, showing my design.

FIG. 2 is a rear, left and bottom perspective view thereof.

FIG. 3 is a front elevation view thereof.

FIG. 4 is a rear elevation view thereof.

FIG. 5 is a left side elevation view thereof.

FIG. 6 is a right side elevation view thereof.

FIG. 7 is a top plan view thereof; and,

FIG. 8 is a bottom plan view thereof.

The broken lines shown in the drawings are included for the purpose of illustrating portions of the massage half ball that form no part of the claimed design.

1 Claim, 8 Drawing Sheets

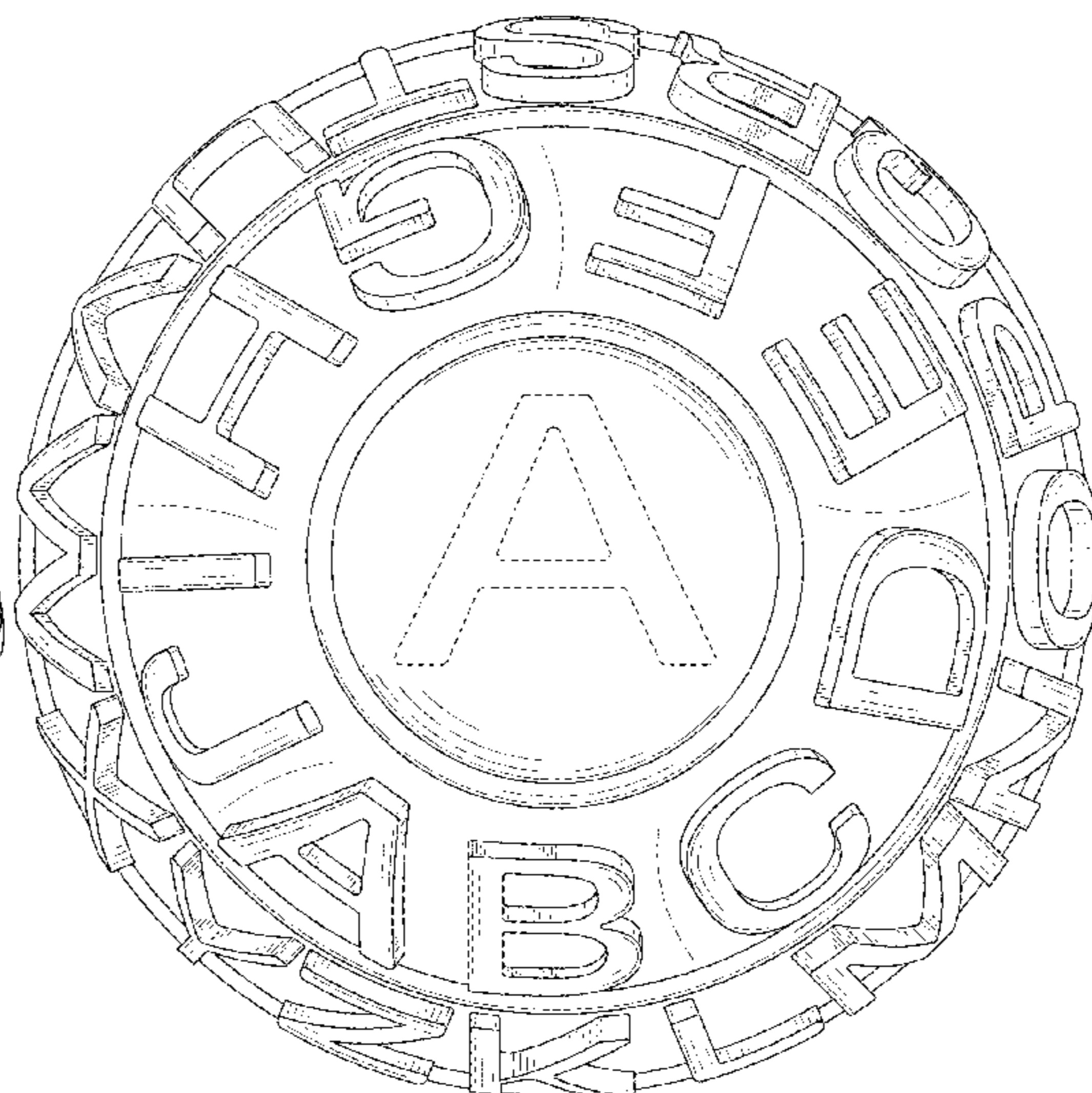




FIG. 1

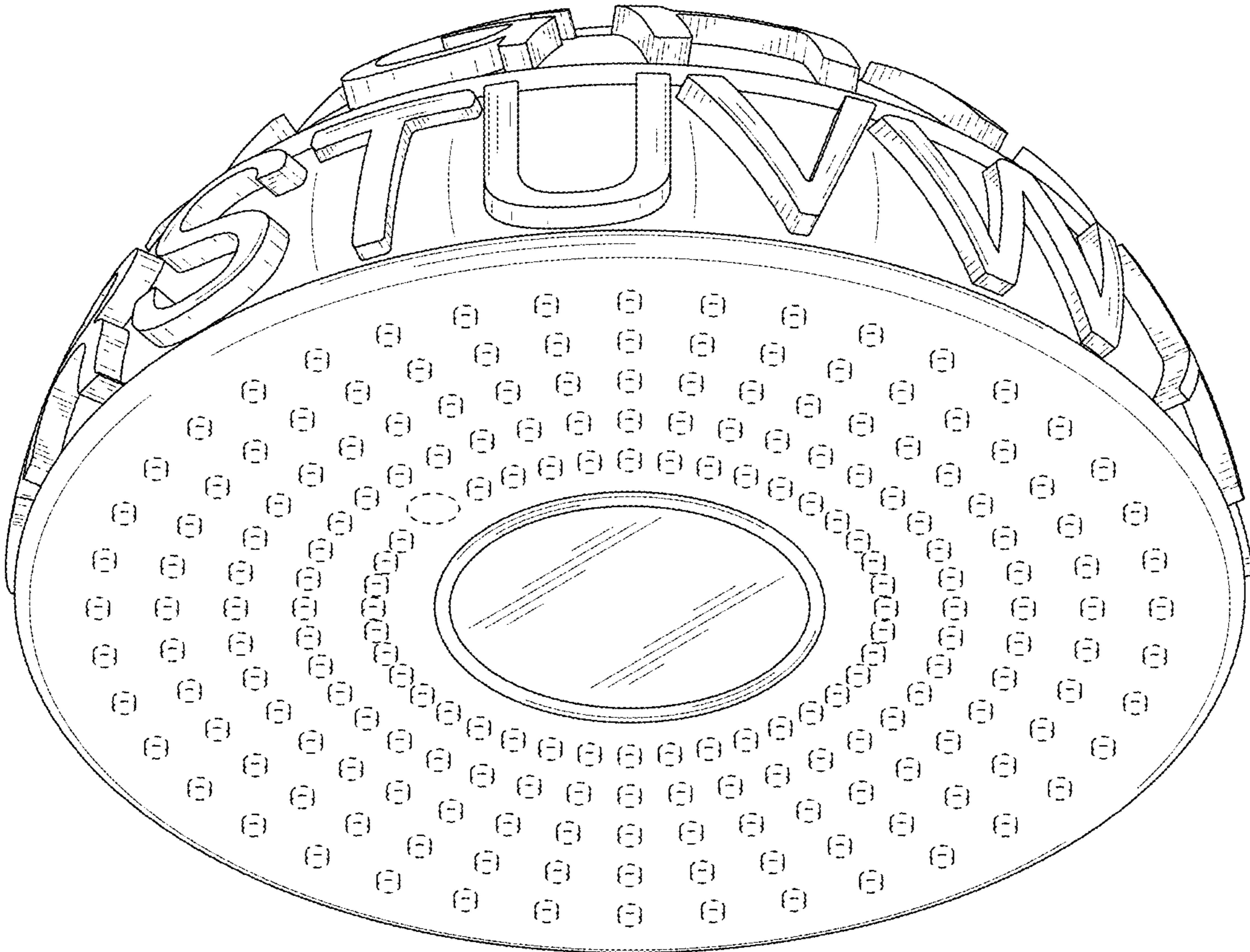


FIG. 2

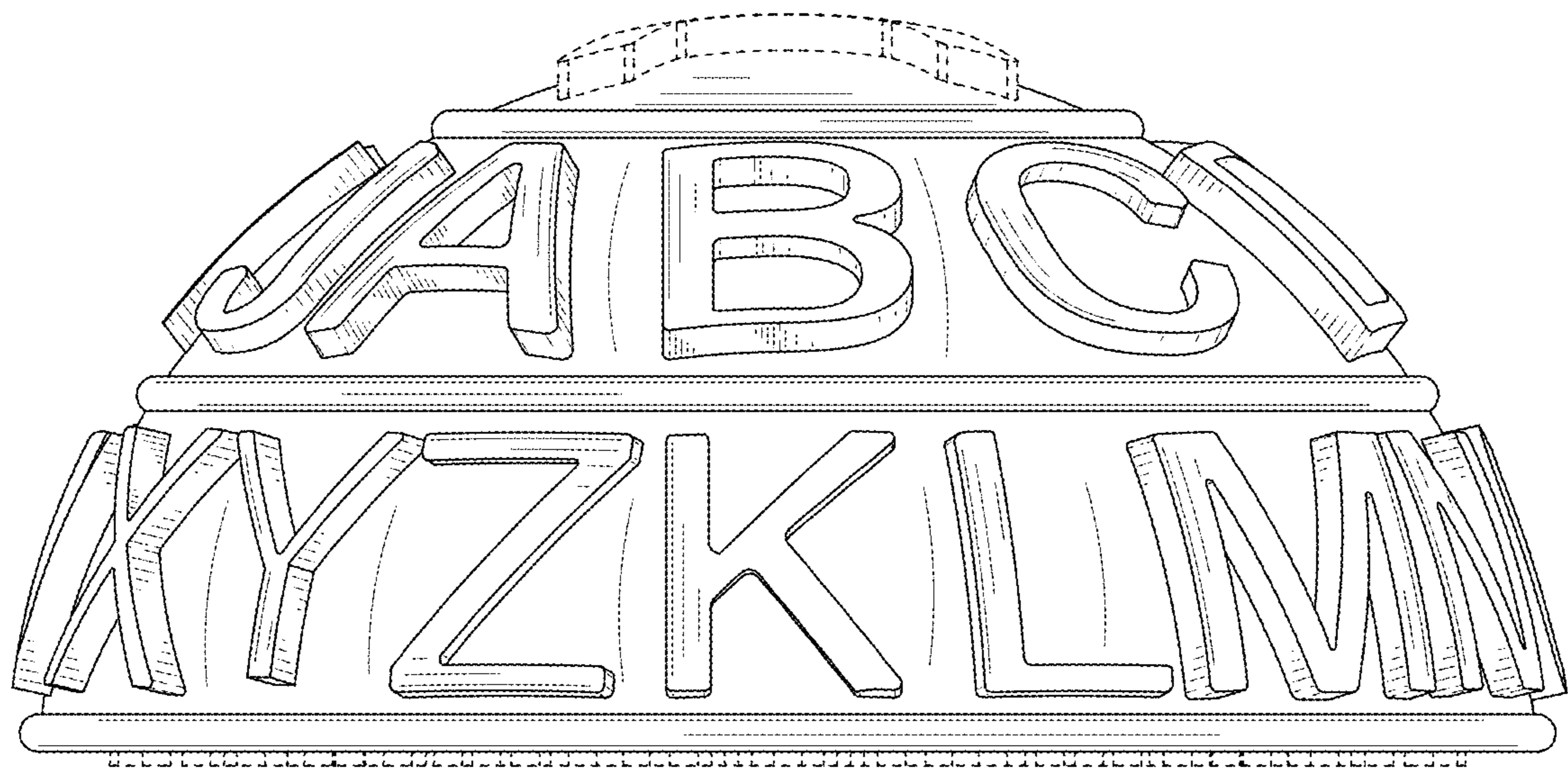


FIG. 3

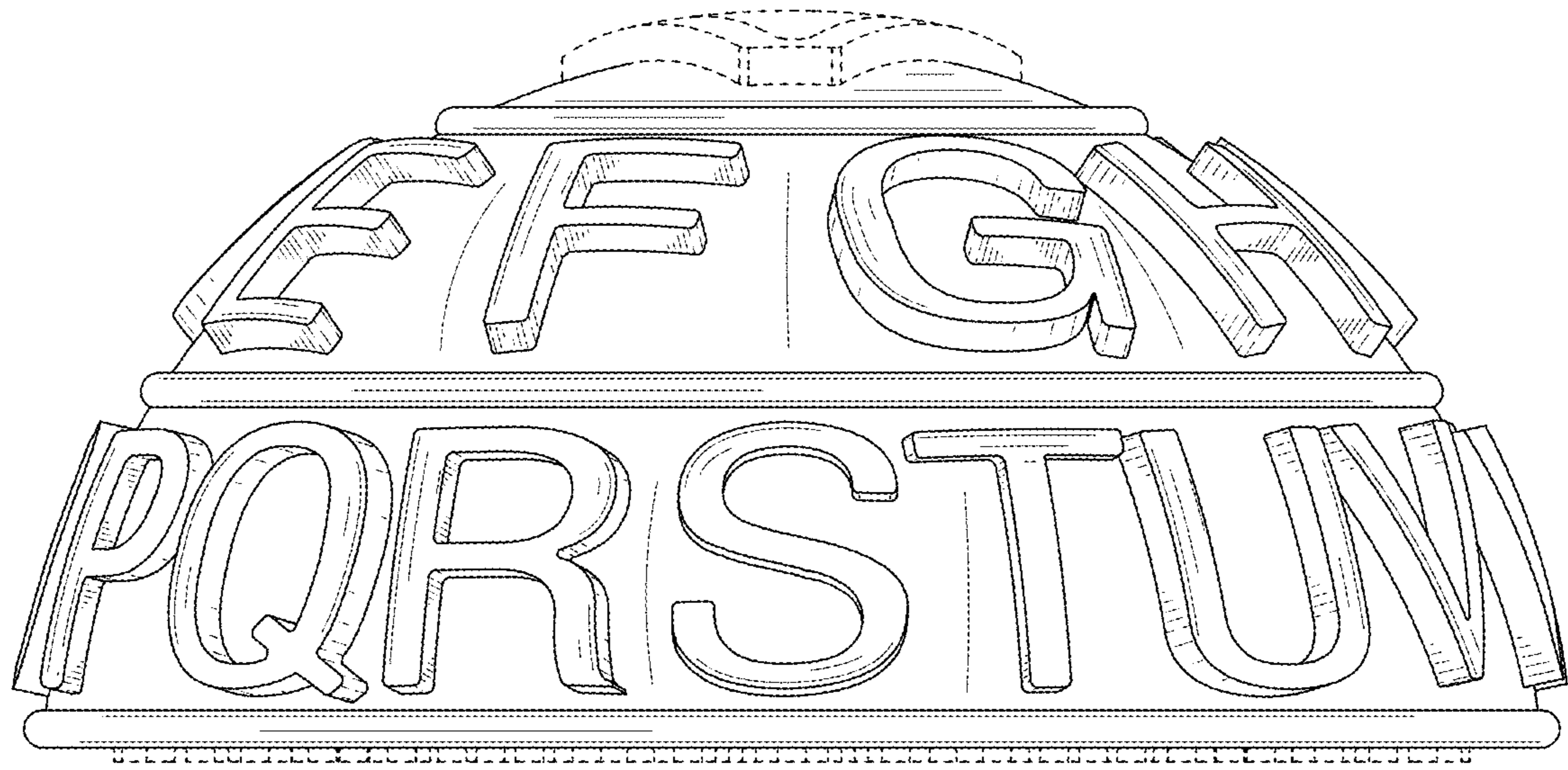


FIG. 4

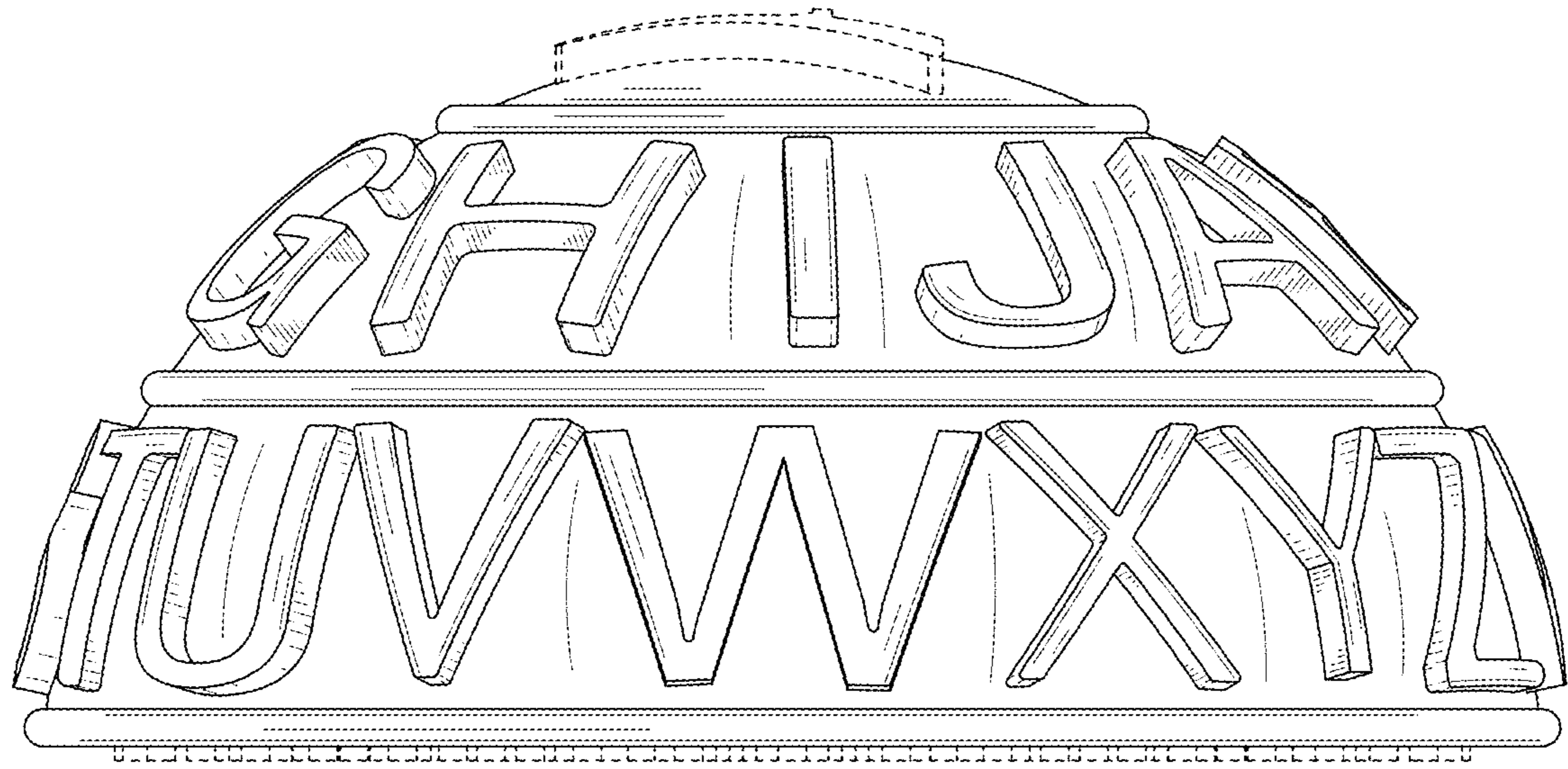


FIG. 5

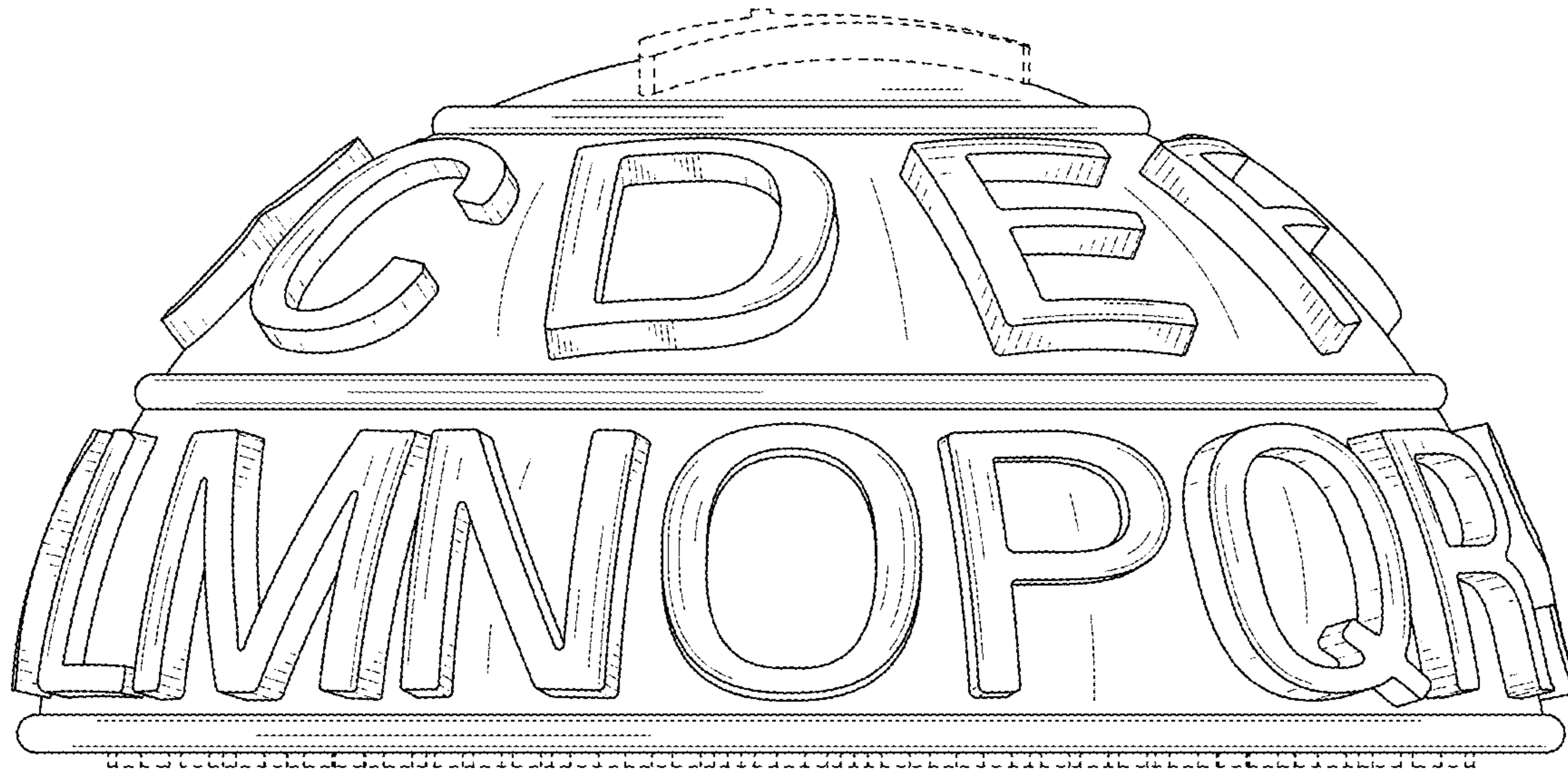


FIG. 6

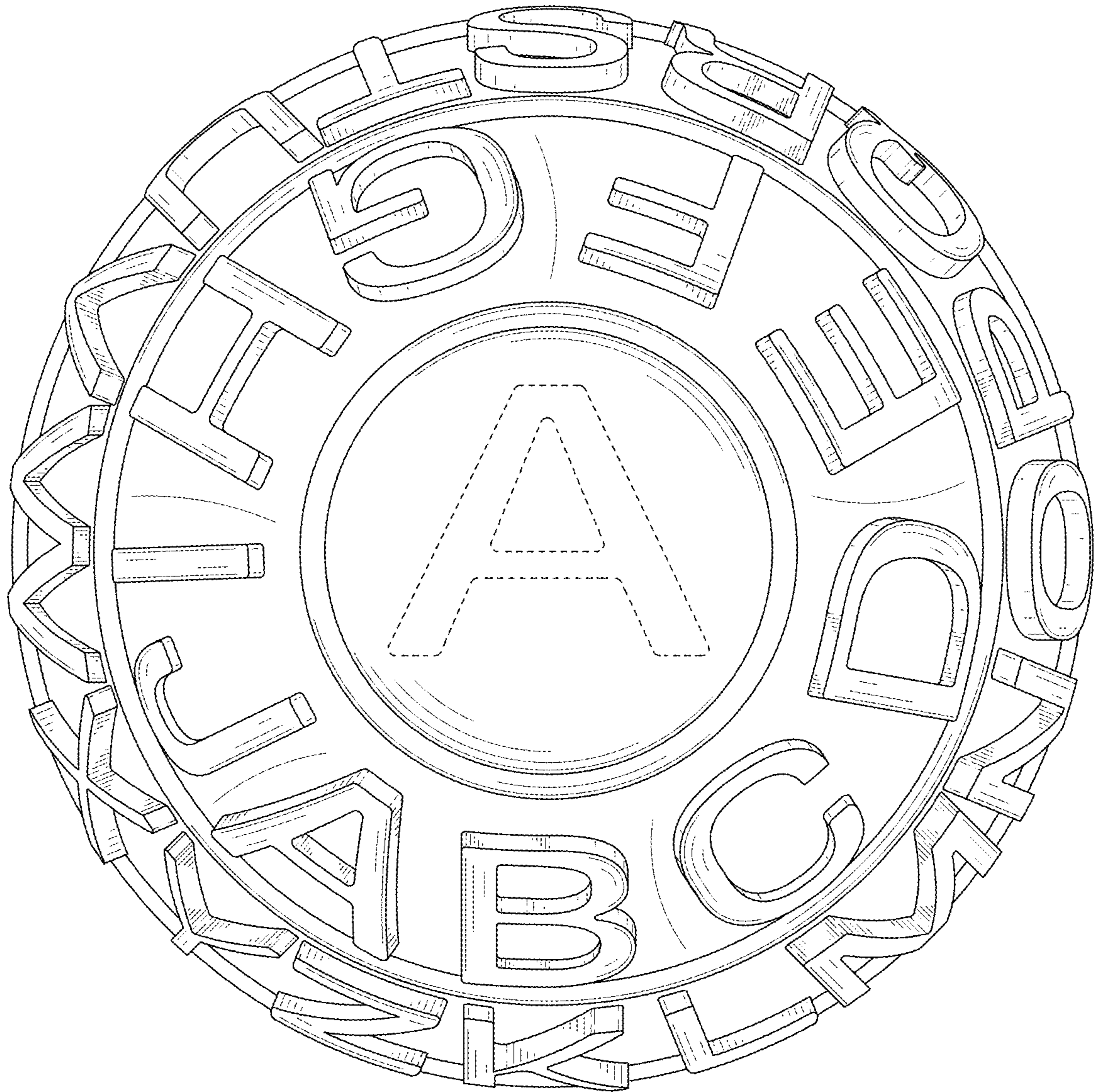


FIG. 7

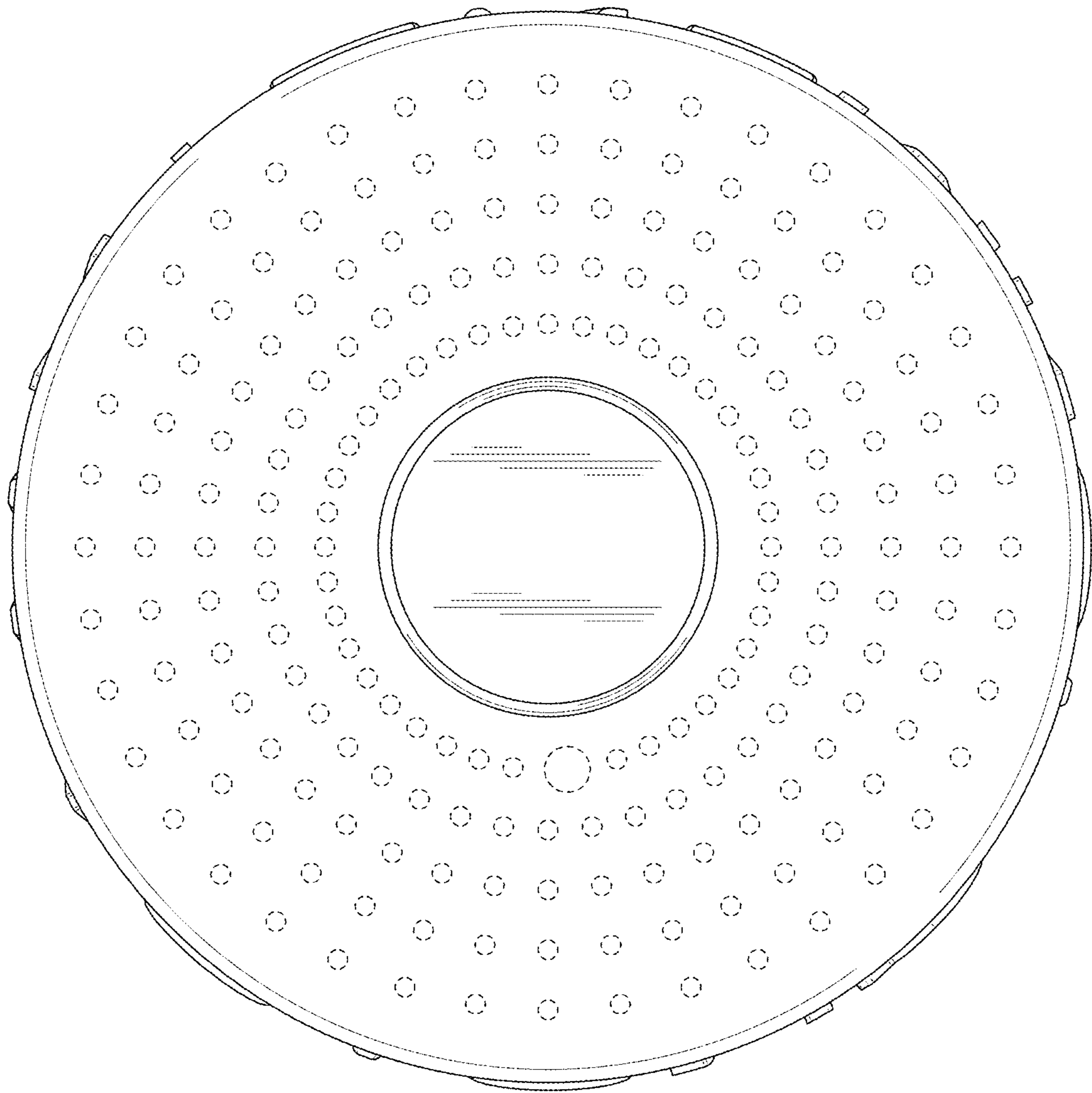


FIG. 8