



US00D966538S

(12) **United States Design Patent** (10) **Patent No.:** **US D966,538 S**
Muntefering et al. (45) **Date of Patent:** **** Oct. 11, 2022**

(54) **ICE MASSAGE TOOL**

(71) Applicants: **Alex Muntefering**, San Marcos, TX (US); **Chloe Muntefering**, San Marcos, TX (US); **Jasmine Warner**, San Marcos, TX (US)

(72) Inventors: **Alex Muntefering**, San Marcos, TX (US); **Chloe Muntefering**, San Marcos, TX (US); **Jasmine Warner**, San Marcos, TX (US)

(73) Assignee: **Muse Athletics LLC**, San Marcos, TX (US)

(**) Term: **15 Years**

(21) Appl. No.: **29/762,978**

(22) Filed: **Dec. 20, 2020**

(51) **LOC (13) Cl.** **24-01**

(52) **U.S. Cl.**
USPC **D24/200**

(58) **Field of Classification Search**
USPC D24/209, 152-154, 200, 211-215, 133, D24/188, 107, 231, 127, 176-177, 182, D24/139; D10/57; D28/58-59, 62; D9/692, 569, 556
CPC A61B 2017/00761; A61B 2017/306; A61B 2017/00747; A61B 2217/005; A61B 2018/00452; A61B 2017/00734; A61B 2017/320012; A61B 1/253; A61B 1/00068; A61B 1/00128; A61B 1/00091; A61B 1/015; A61B 1/126; A61N 5/0616; A61H 35/04; A61H 7/003; A61H 7/004; A61H 7/008; A61H 7/00; A61M 1/00; A45D 2200/1054; A46B 2200/102

See application file for complete search history.

(56) **References Cited**

U.S. PATENT DOCUMENTS

D403,076 S * 12/1998 York D24/214
5,843,005 A * 12/1998 Chubinsky A61H 7/003
601/138
D464,571 S * 10/2002 Hill D9/519
D501,257 S * 1/2005 Huang D24/214

(Continued)

OTHER PUBLICATIONS

Glacio Round Ice Cube Molds, first available Jun. 4, 2018, amazon.com, [online], [site visited May 3, 2022], Available from internet URL: https://www.amazon.com/dp/B07DHZLD23/ref=sspa_dk_detail_4?pf_rd_p=9cfcad77-458b-4fea-952c-d050df2a6fea&pd_rd_wg=aCCCa&pf_rd_r=GPF%E2%80%A6&th=1 (Year: 2018).*

(Continued)

Primary Examiner — Samantha Q Lawrence
Assistant Examiner — Holly M Rodriguez

(57) **CLAIM**

The ornamental design for an ice massage tool, as shown and described.

DESCRIPTION

FIG. 1 is a perspective view of the ice massage tool, showing the new design;
FIG. 2 is a front elevational view of the ice massage tool thereof;
FIG. 3 is a rear elevational view of the ice massage tool thereof;
FIG. 4 is a left side elevational view of the ice massage tool thereof;
FIG. 5 is a right side elevational view of the ice massage tool thereof;
FIG. 6 is a top plan view of the ice massage tool thereof;

(Continued)

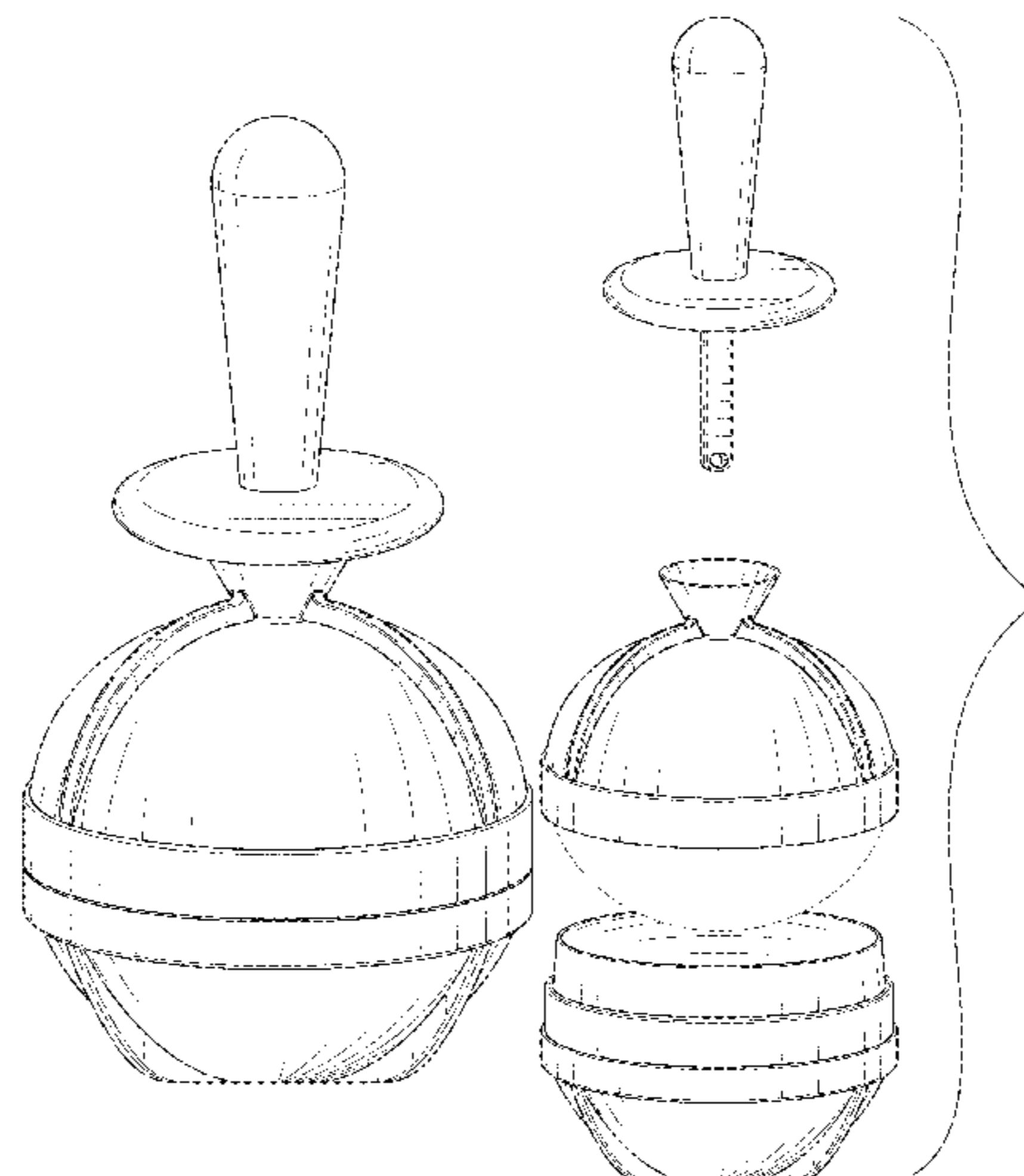


FIG. 7 is a bottom plan view of the ice massage tool thereof; and, FIG. 8 is an exploded view of the ice massage tool thereof. The broken lines in the drawings illustrate environmental subject matter and form no part of the claimed design.

1 Claim, 7 Drawing Sheets

(56)

References Cited

U.S. PATENT DOCUMENTS

D663,619 S * 7/2012 Pillet D9/503
D693,476 S * 11/2013 Spietz D24/215
D933,248 S * 10/2021 Liu D24/200

OTHER PUBLICATIONS

Velyt Ice Ball, first available Aug. 9, 2021, amazon.com, [online], [site visited May 3, 2022], Available from internet URL: https://www.amazon.com/Face-Organic-Refreshes-Puffiness-Therapeutic-Naturally/dp/B098GGSZ5V?psc=1&pd_rd_w=loiED&pf_rd_p=c9b3a448-7c3%E2%80%A6 (Year: 2021).*

SWSKR Ice Roller for Face & Eye Puffiness Relief, amazon.com, [online], [site visited May 3, 2022], Available from internet URL: https://www.amazon.com/SWSKR-Puffiness-Compress-Sunburn-Migraine/dp/B09XBLR4Y2/ref=sr_1_131?keywords=ice+roller+for+face&qid=165158%E2%80%A6 (Year: 2022).*

VinBee Ice Roller for Face & Eyes, first available Mar. 28, 2022, amazon.co.uk, [online], [site visited May 3, 2022], Available from internet URL: https://www.amazon.co.uk/dp/B09WMBCBR9/ref=sspa_dk_detail_4?pf_rd_p=c94cd60b-aad9-474d-91c5-7305d0779c72&pd_rd_wg=6wWMI&pf_rd_r%E2%80%A6 (Year: 2022).*

* cited by examiner

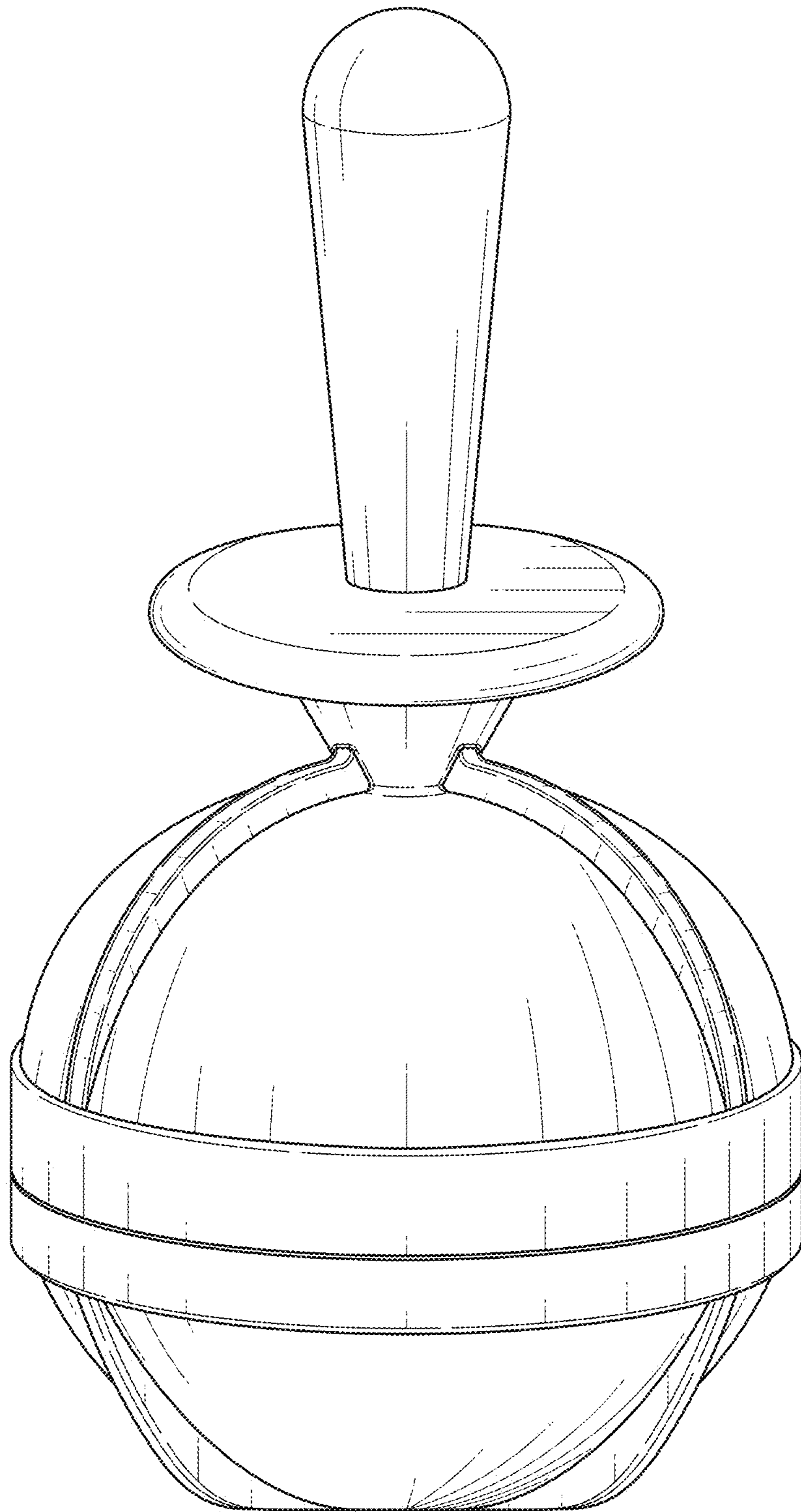


FIG. 1

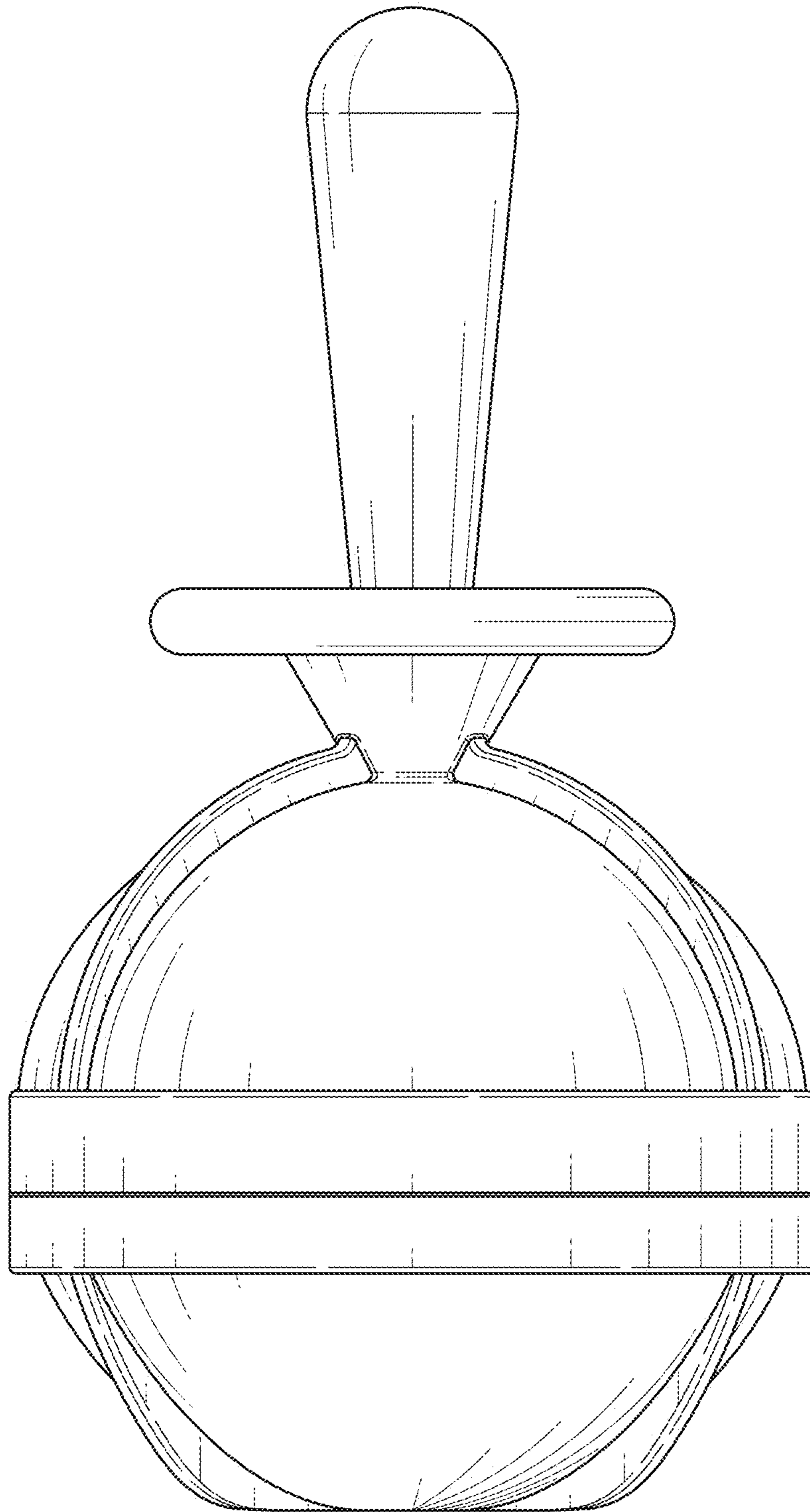


FIG. 2

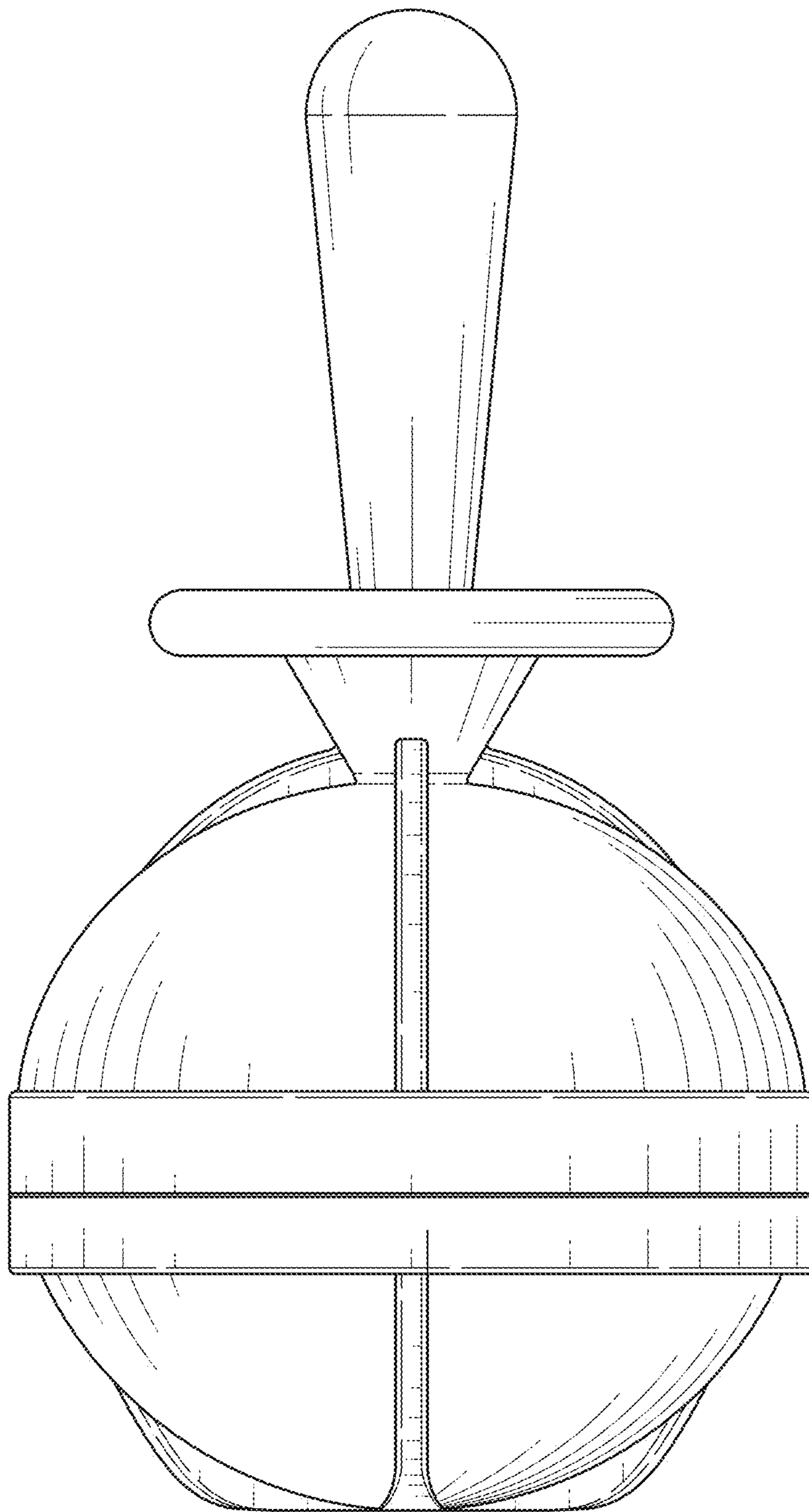


FIG. 3

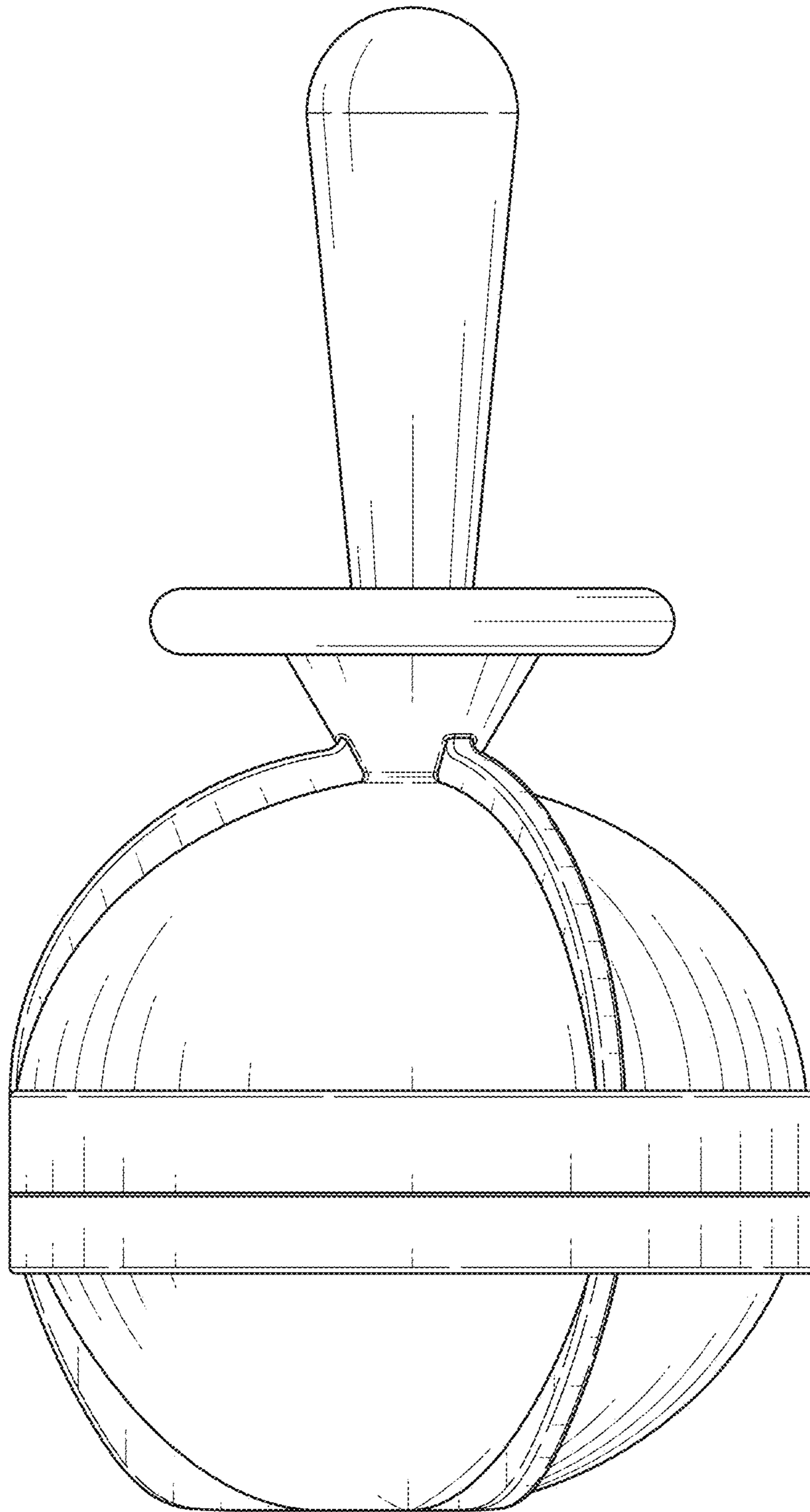


FIG. 4

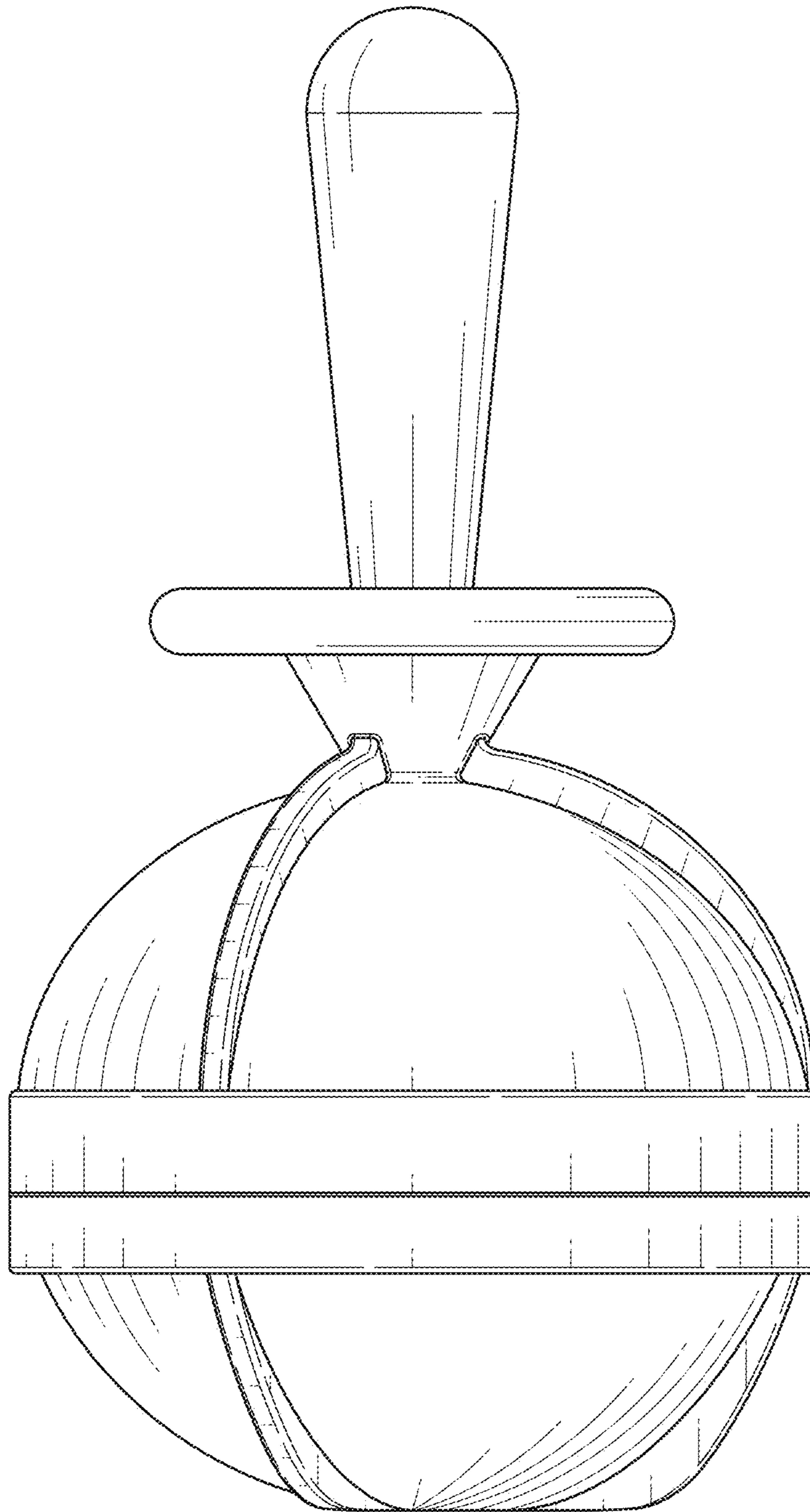


FIG. 5

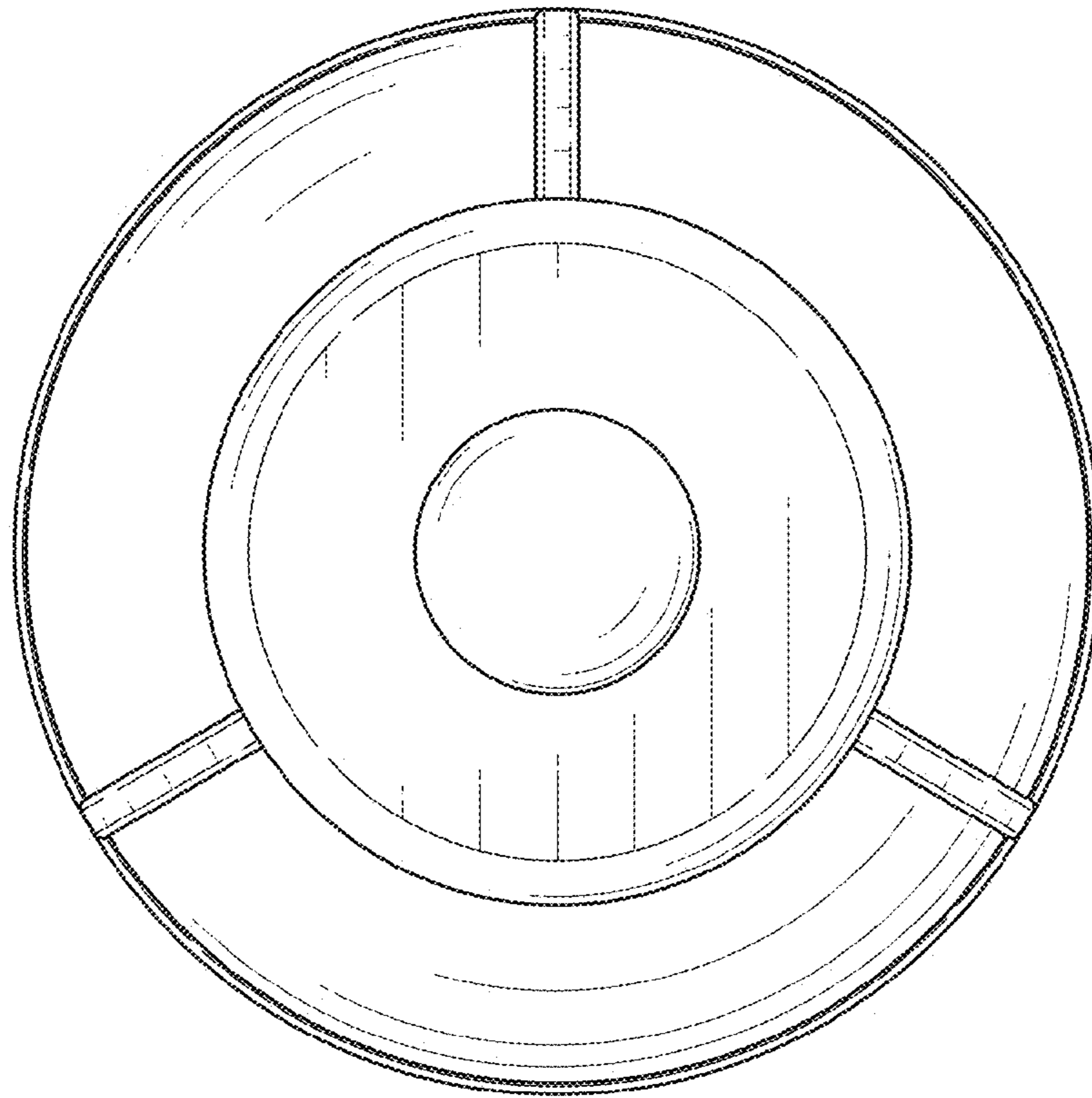


FIG. 6

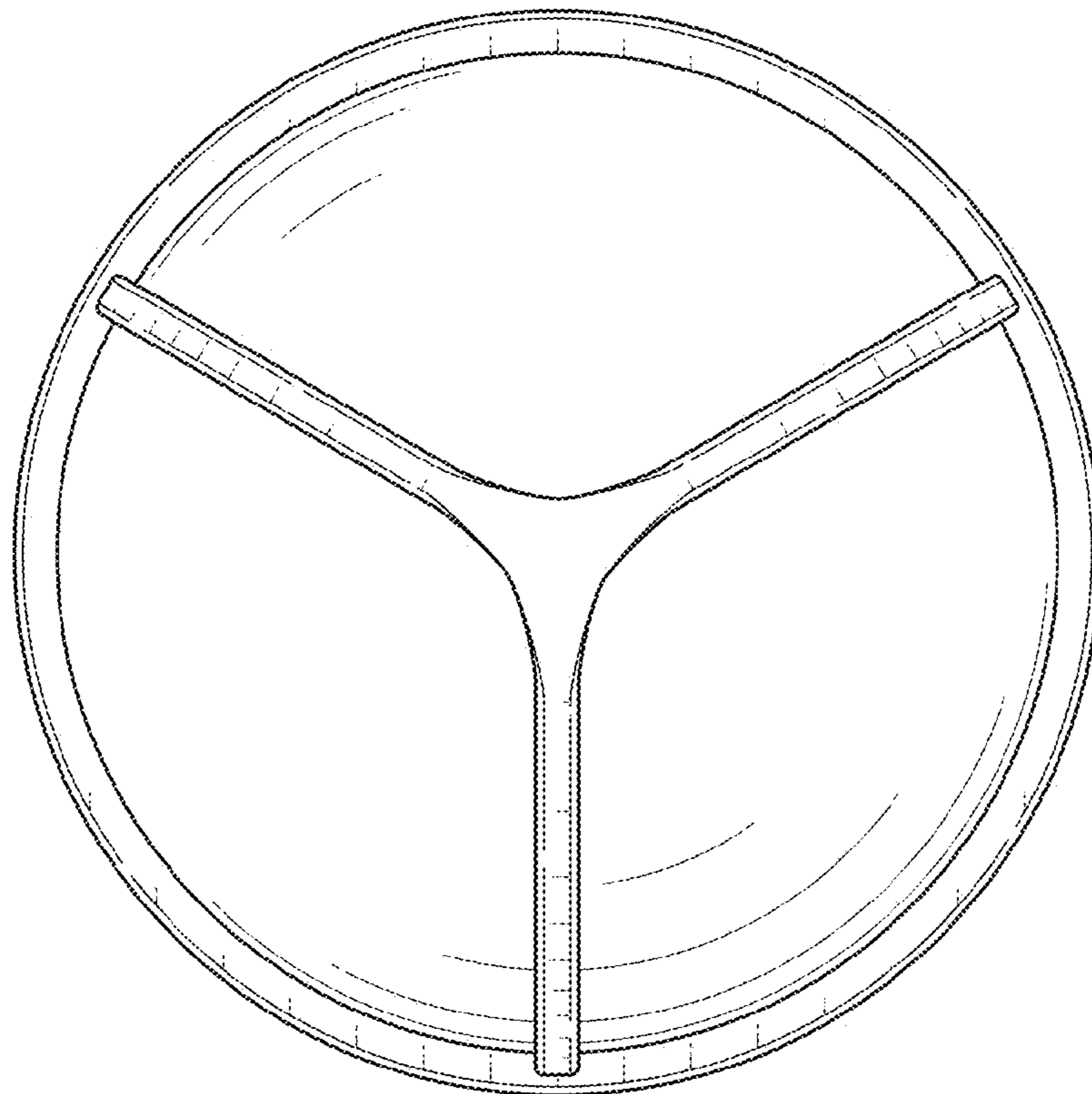


FIG. 7

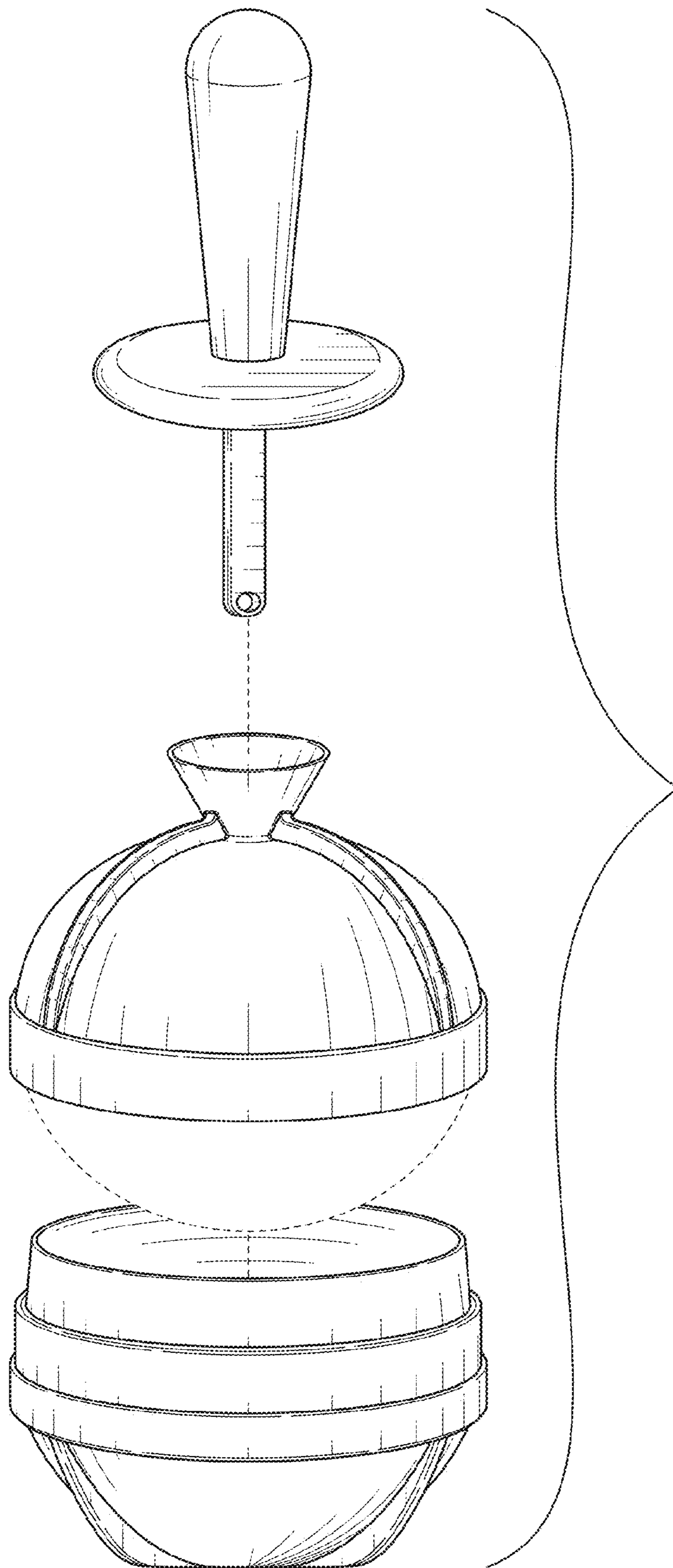


FIG. 8