

US00D966537S

(12) **United States Design Patent**
Ker

(10) **Patent No.:** **US D966,537 S**

(45) **Date of Patent:** **** Oct. 11, 2022**

(54) **MESSAGE APPARATUS**

- (71) Applicant: **OSIM International Pte Ltd**,
Singapore (SG)
- (72) Inventor: **Zi Yi Ker**, Singapore (SG)
- (73) Assignee: **OSIM INTERNATIONAL PTE LTD**,
Singapore (SG)

(**) Term: **15 Years**

(21) Appl. No.: **29/706,677**

(22) Filed: **Sep. 23, 2019**

(51) **LOC (13) Cl.** **28-03**

(52) **U.S. Cl.**
USPC **D24/200; D6/601**

(58) **Field of Classification Search**
USPC D24/200, 214-215; D6/716.1, 716.4, 601
CPC A61H 7/00; A61H 7/004; A61H 7/001;
A61H 15/0078; A61H 2201/0138; A61H
2201/0149; A61H 2201/1207; A61H
2201/1669; A61H 2205/02; A61H
2205/08; A61H 2205/081
See application file for complete search history.

(56) **References Cited**

U.S. PATENT DOCUMENTS

- 5,033,458 A * 7/1991 Sperr A61H 7/001
601/84
- 7,128,721 B2 * 10/2006 Ferber A61H 7/004
601/86
- D539,067 S * 3/2007 Dayan D24/200
- D539,068 S * 3/2007 Dayan D24/200
- D552,387 S * 10/2007 Wu D6/601
- D710,022 S * 7/2014 Chen D24/215
- D924,599 S * 7/2021 Jiang D6/601
- 2016/0008210 A1 * 1/2016 Chen A61H 7/007
601/98
- 2016/0008212 A1 * 1/2016 Chen A61H 15/0078
601/112

OTHER PUBLICATIONS

[Snailax Official Shop] Finger Pressure Massage Seat Cushion with Heat, 2D/3D Shiatsu Back Massager Kneading,Rolling,Spot , Massage Chair Pad, Relieve Neck, Shoulder, Back Pain SL269. May 24, 2018. [On line]. [Site visited Aug. 9, 2021.] Retrieved from internet: <https://www.newegg.com/snailax-sl269/p/0CZ-0161-00005>.*

* cited by examiner

Primary Examiner — Wan Laymon

(74) *Attorney, Agent, or Firm* — Baker & McKenzie LLP

(57) **CLAIM**

The ornamental design for a massage apparatus, as shown and described.

DESCRIPTION

FIG. 1 is a front perspective view of a massage apparatus showing new design in a first position;
FIG. 2 is a front view perspective view in a second position thereof;

FIG. 3 is a back perspective view of FIG. 1;

FIG. 4 is a back perspective view of FIG. 2;

FIG. 5 is a front view of FIG. 1;

FIG. 6 is a front view of FIG. 2;

FIG. 7 is a back view of FIG. 1;

FIG. 8 is a back view of FIG. 2;

FIG. 9 is a right side view of FIG. 1;

FIG. 10 is a right side view of FIG. 2;

FIG. 11 is a left side view of FIG. 1;

FIG. 12 is a left side view of FIG. 2;

FIG. 13 is a top view of FIG. 1;

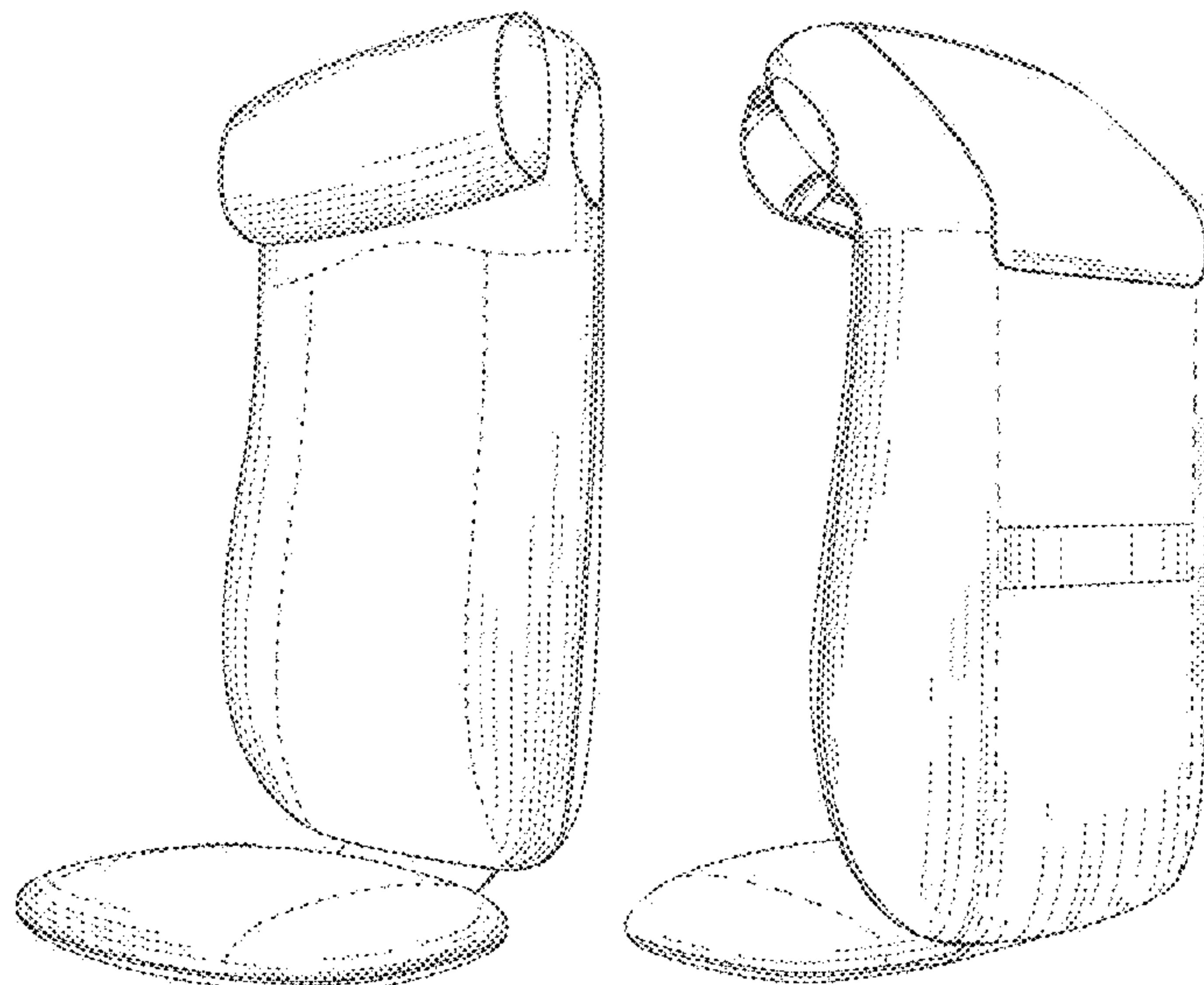
FIG. 14 is a top view of FIG. 2;

FIG. 15 is a bottom view of FIG. 1; and,

FIG. 16 is a bottom view of FIG. 2.

The broken line shown in the drawings is for the purpose of illustrating portions of the massage apparatus and forms no part of the claimed design.

1 Claim, 16 Drawing Sheets



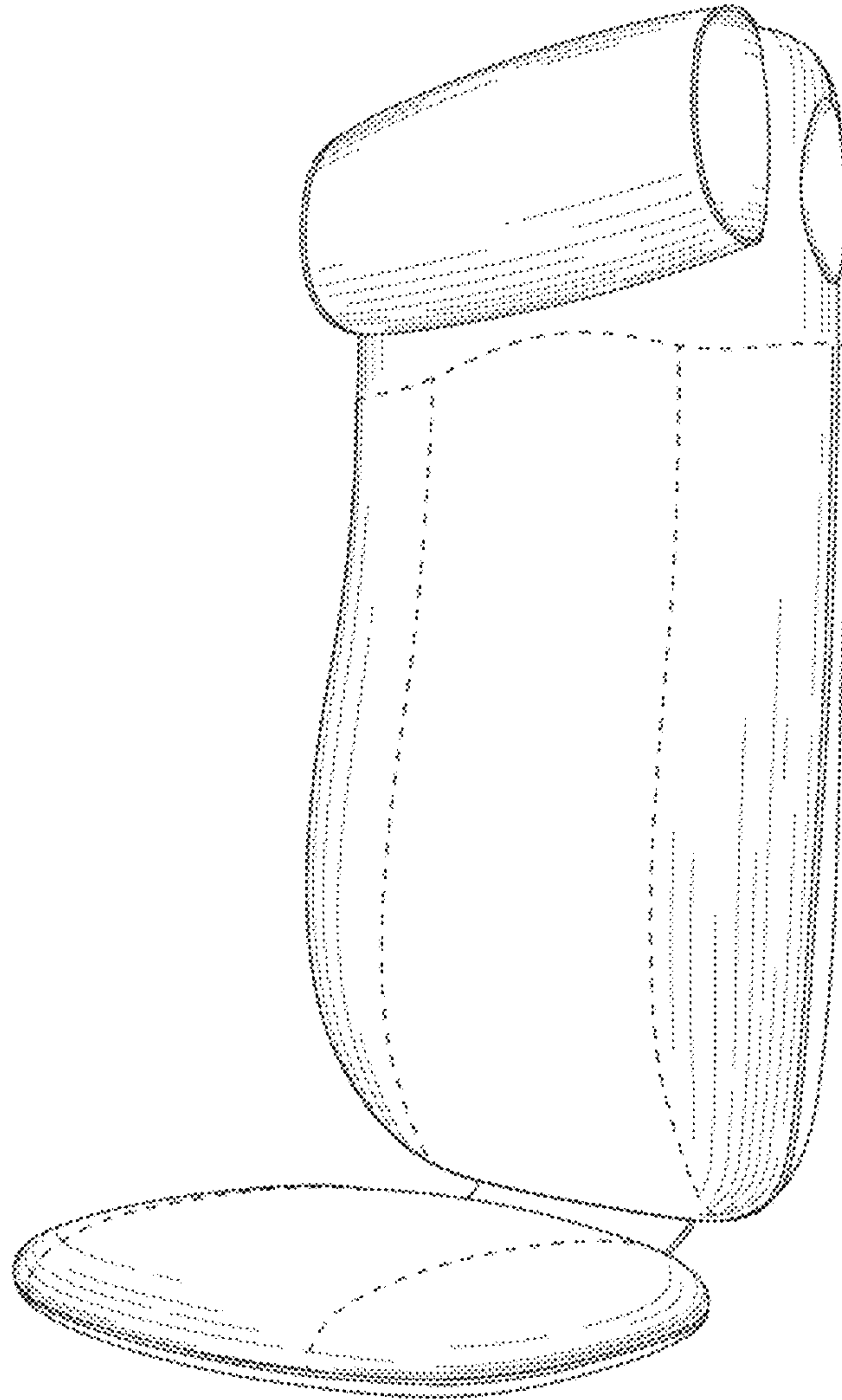


FIG. 1

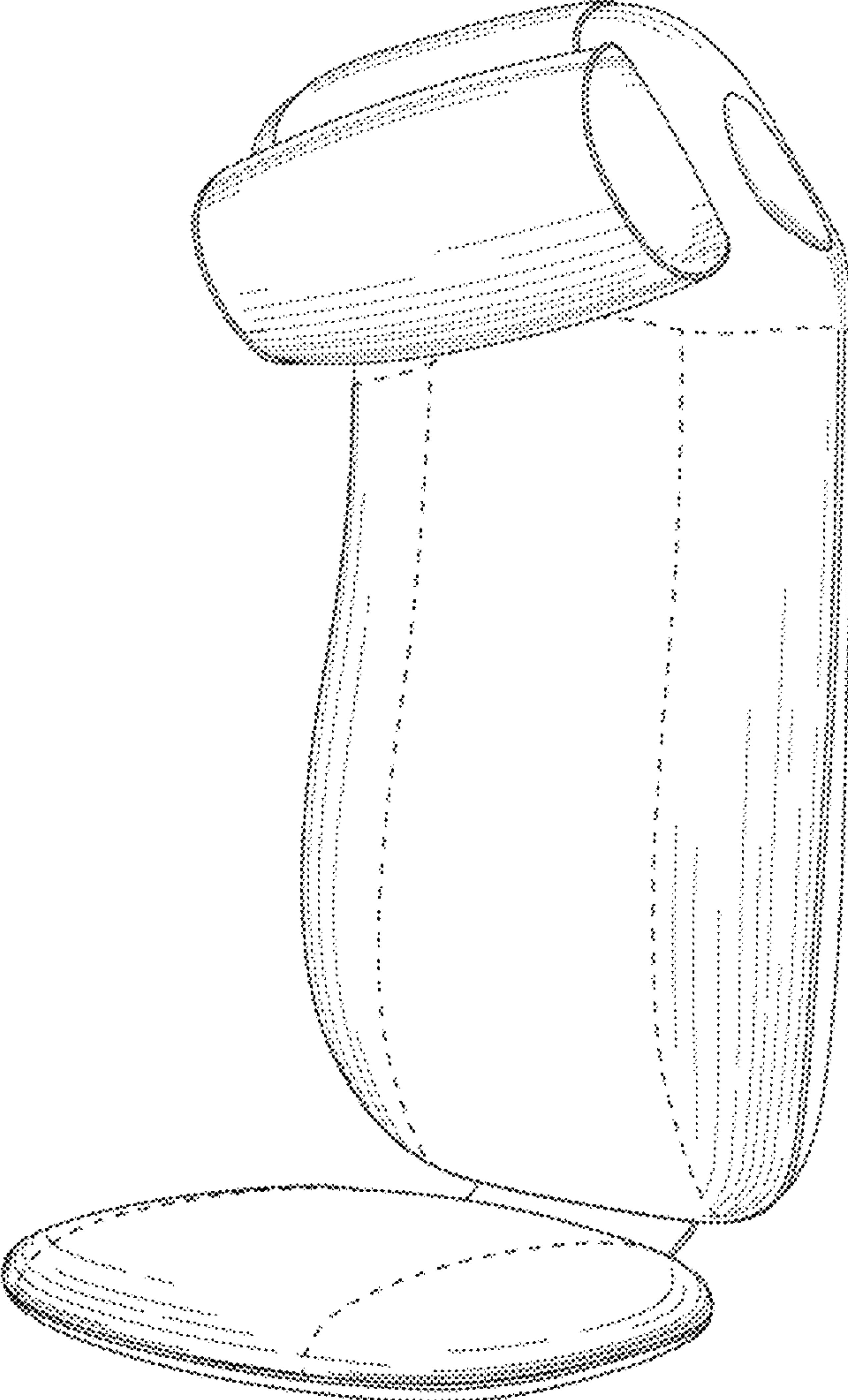


FIG. 2

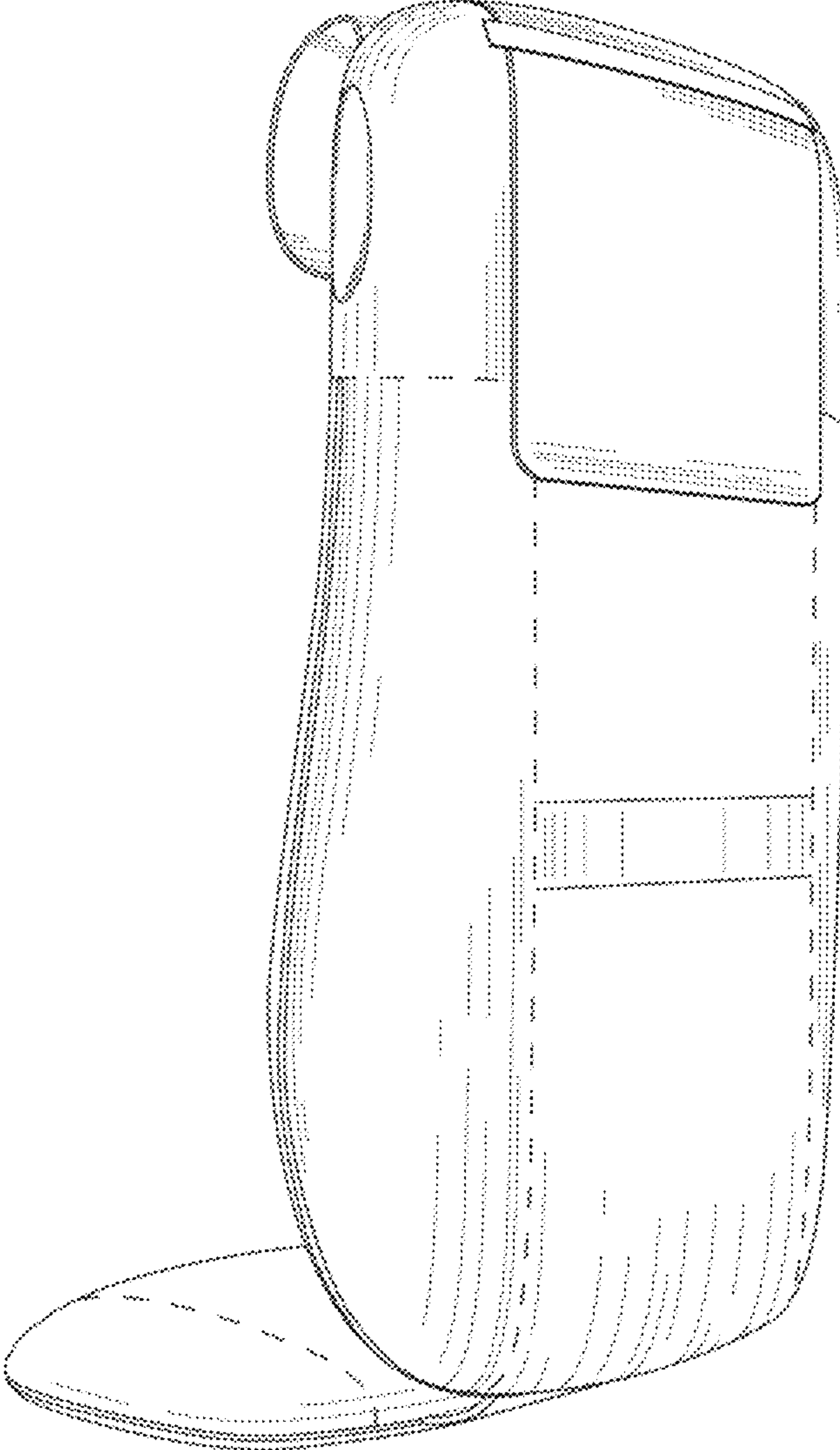


FIG. 3

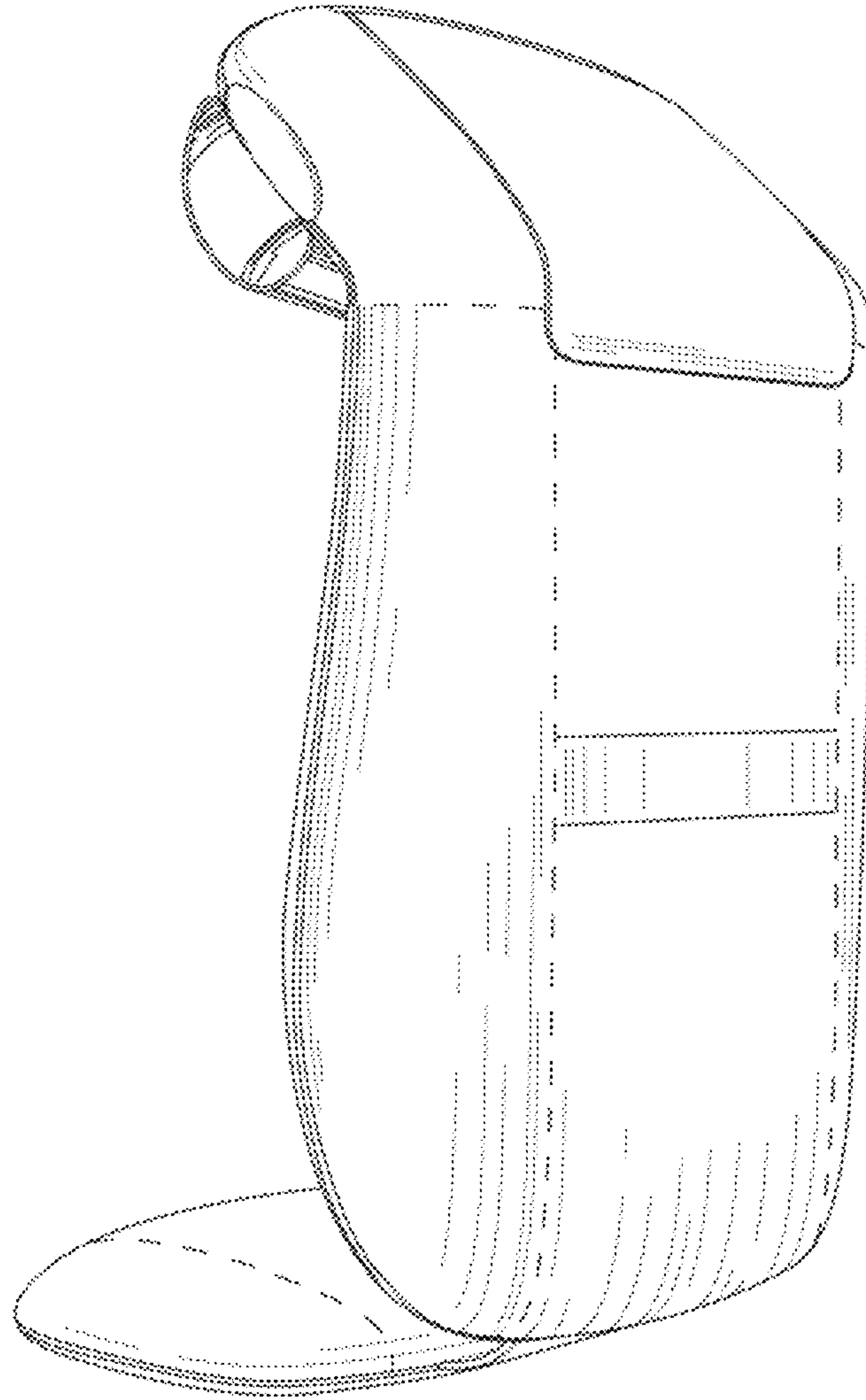


FIG. 4

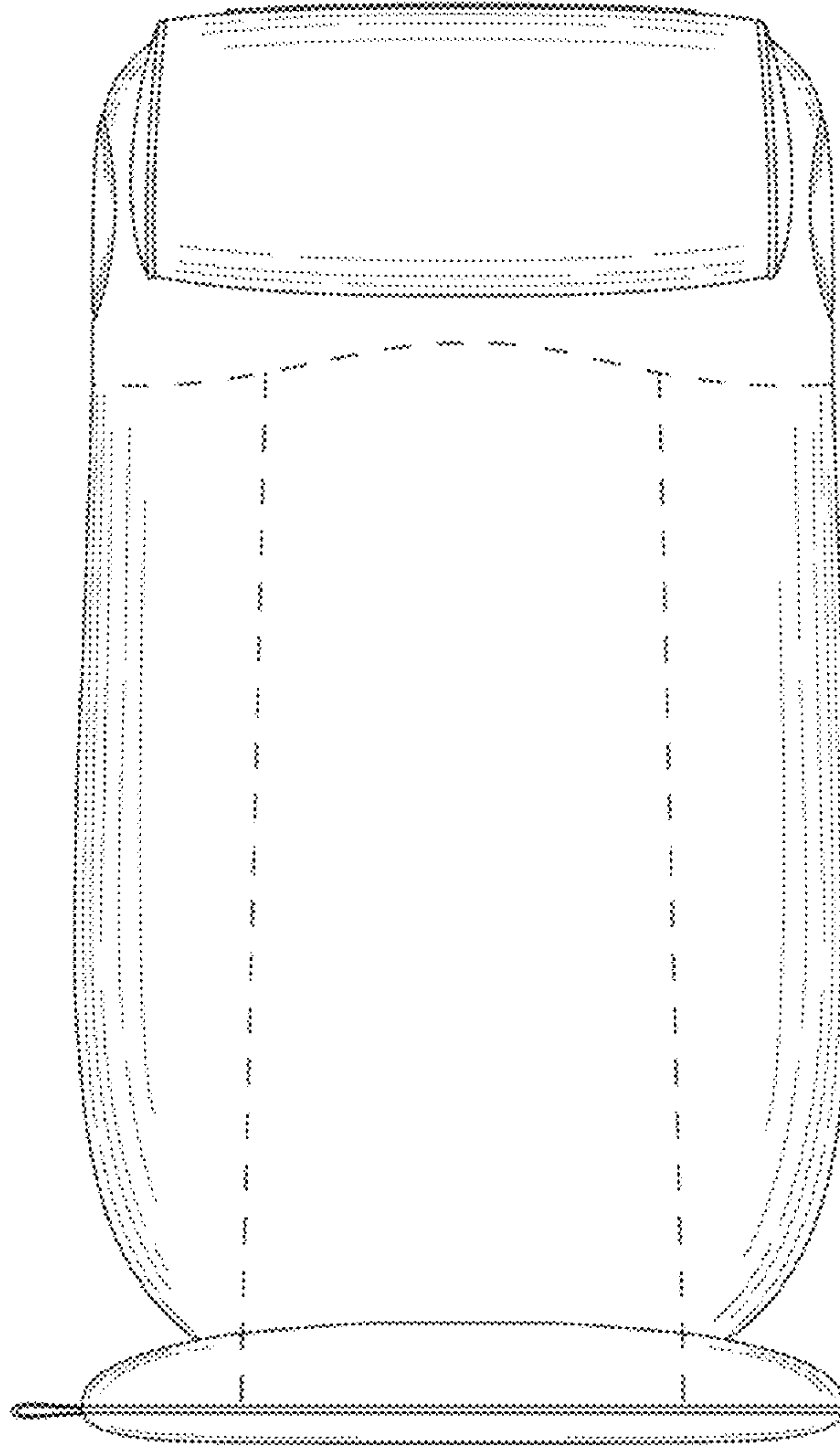


FIG. 5

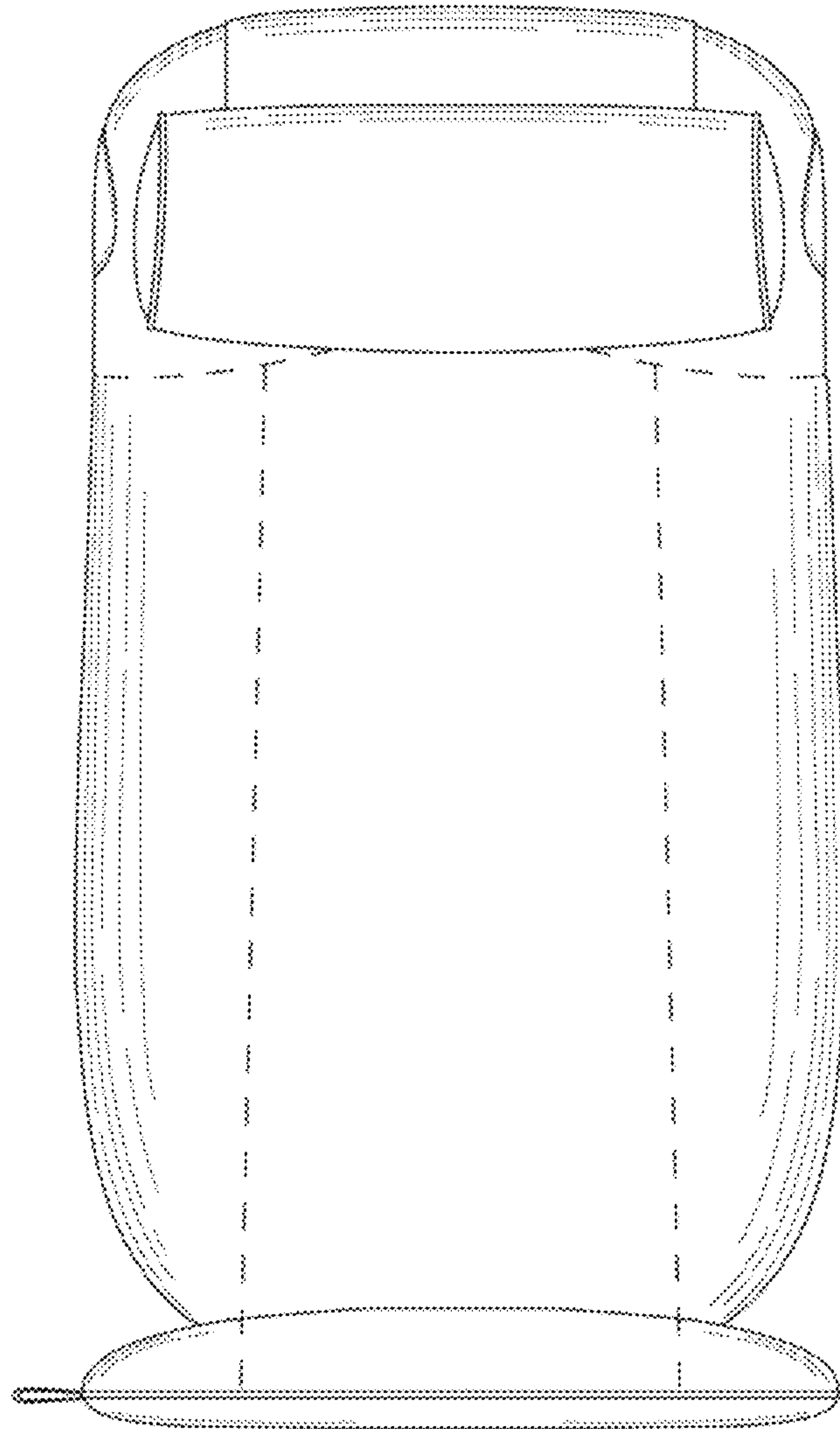


FIG. 6

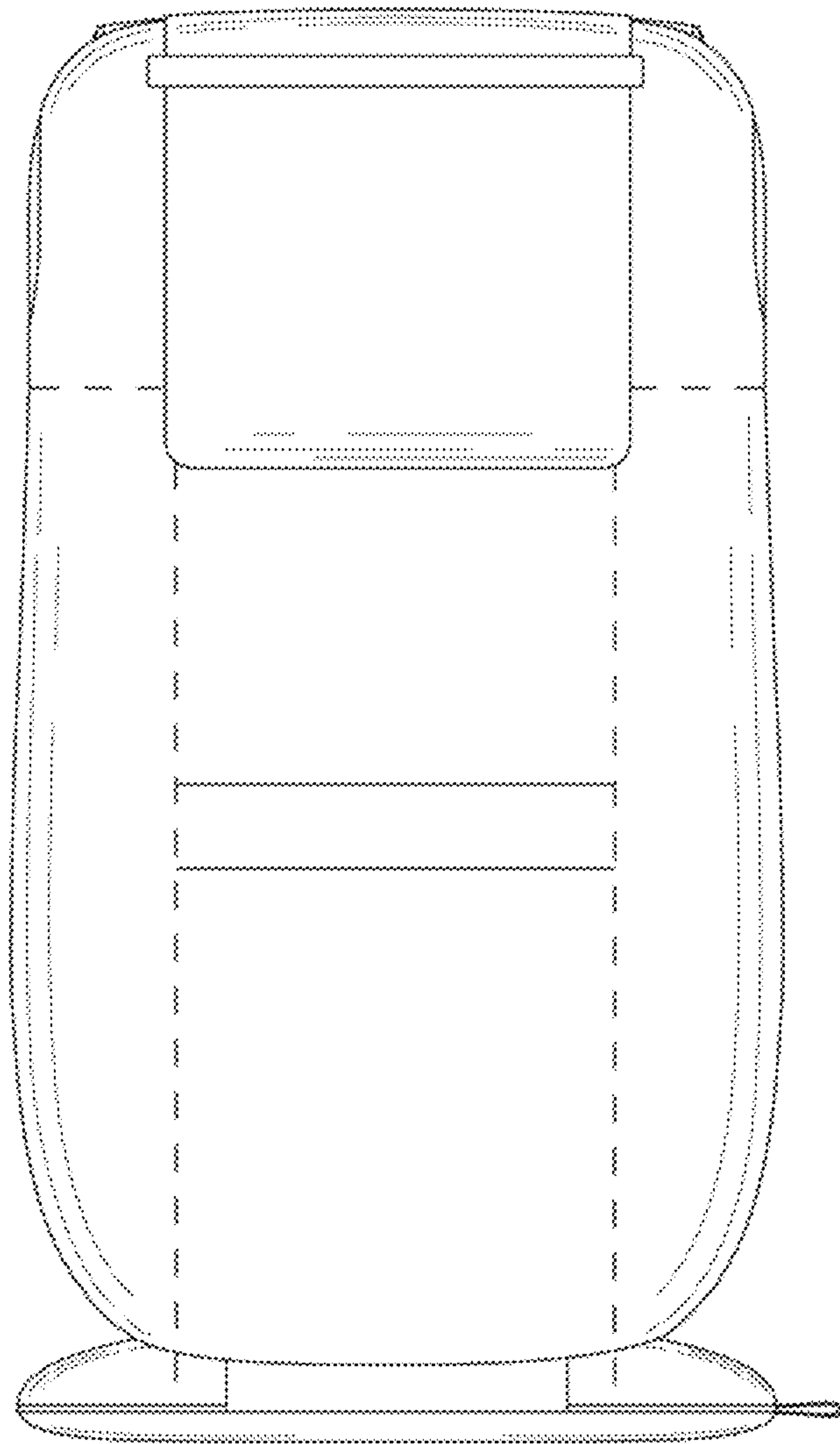


FIG. 7

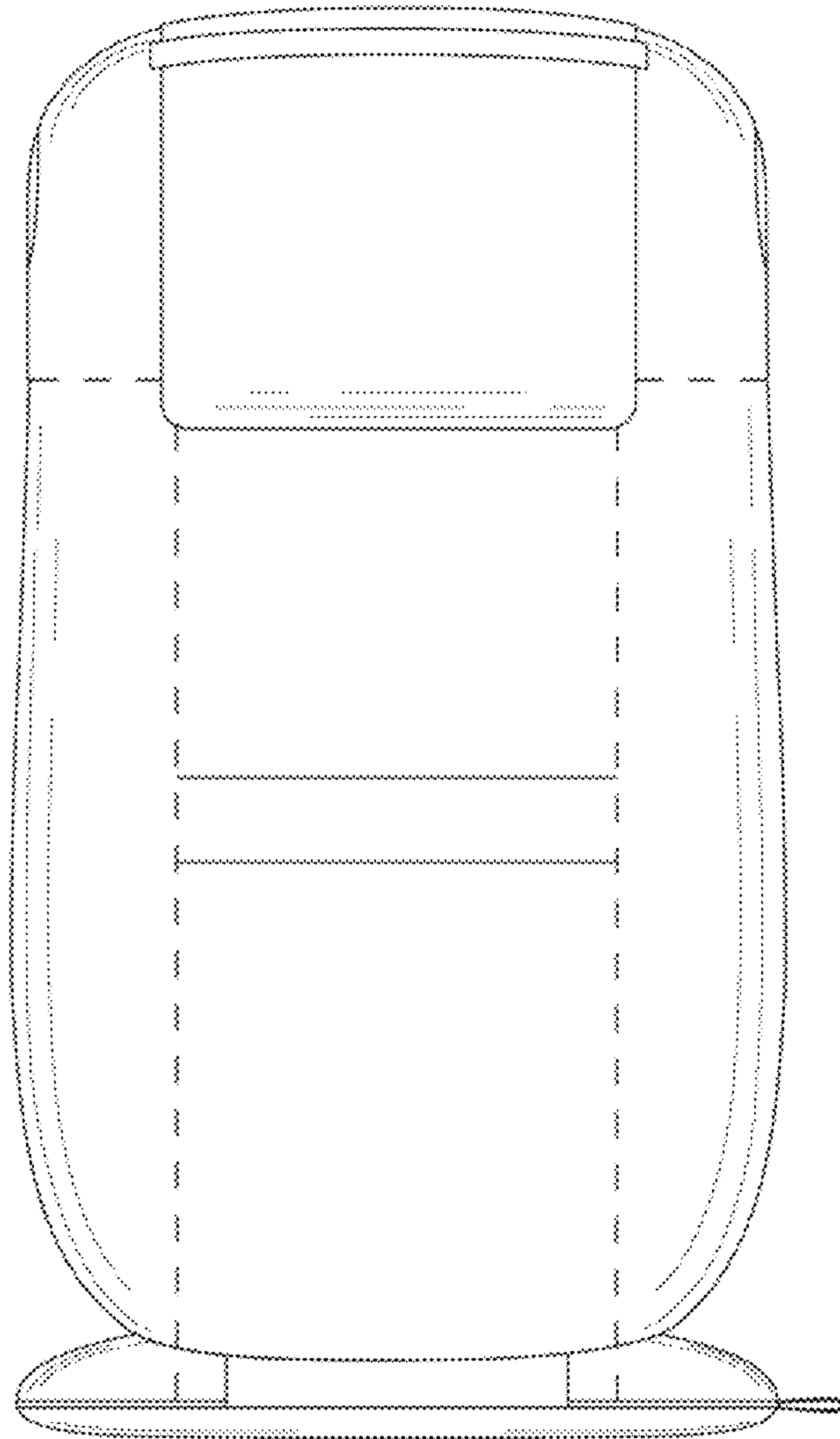


FIG. 8

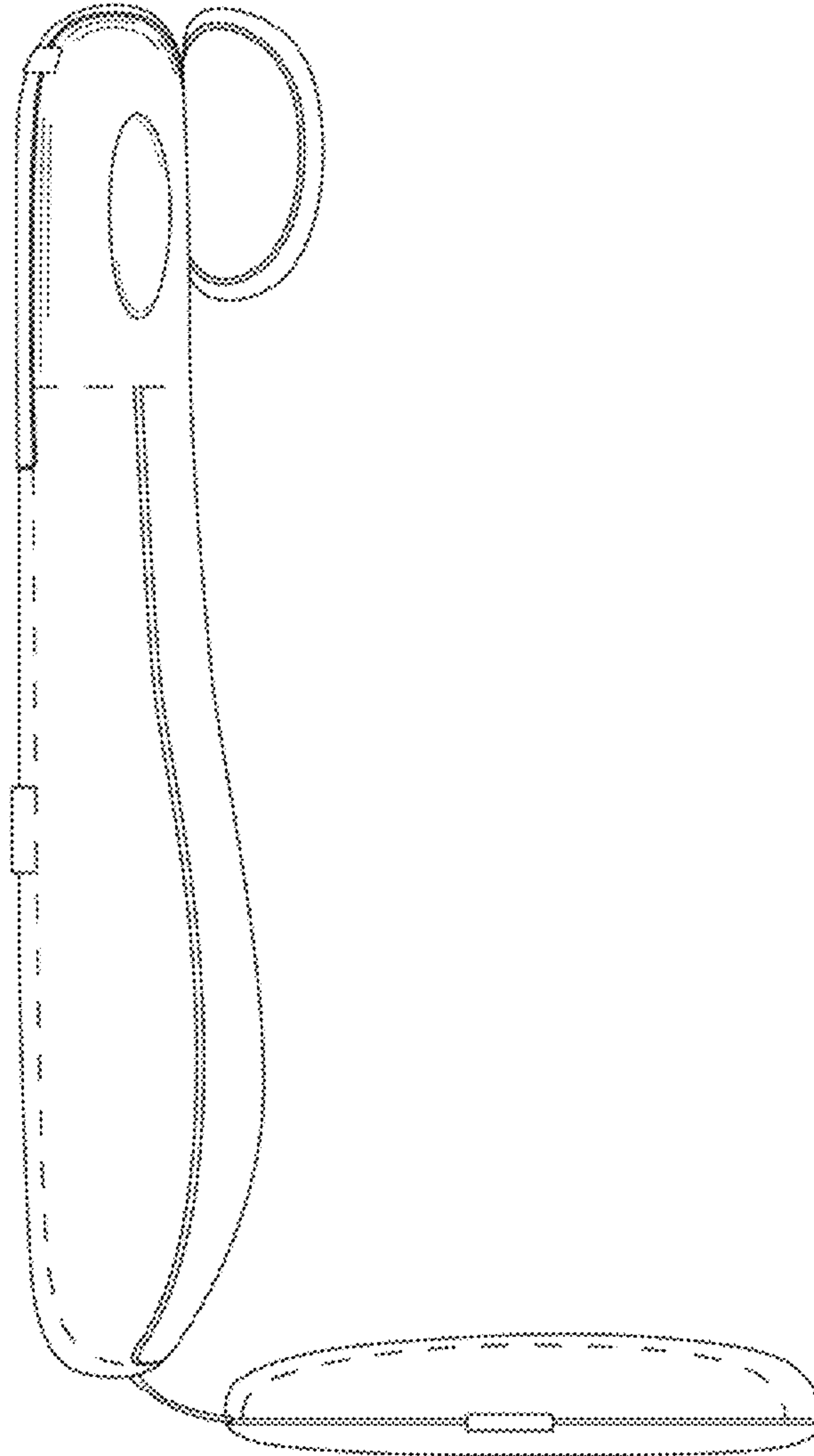


FIG. 9

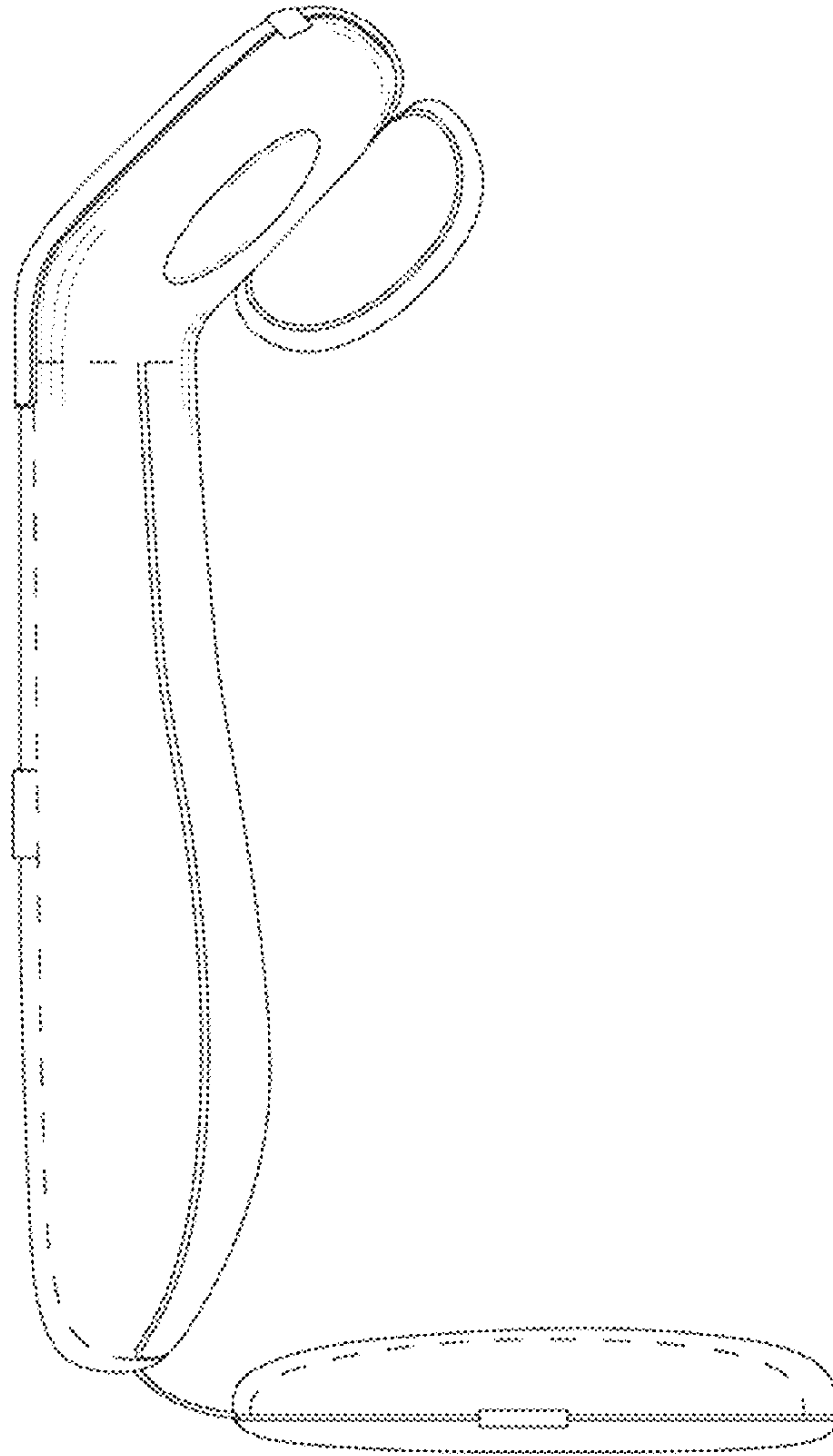


FIG. 10

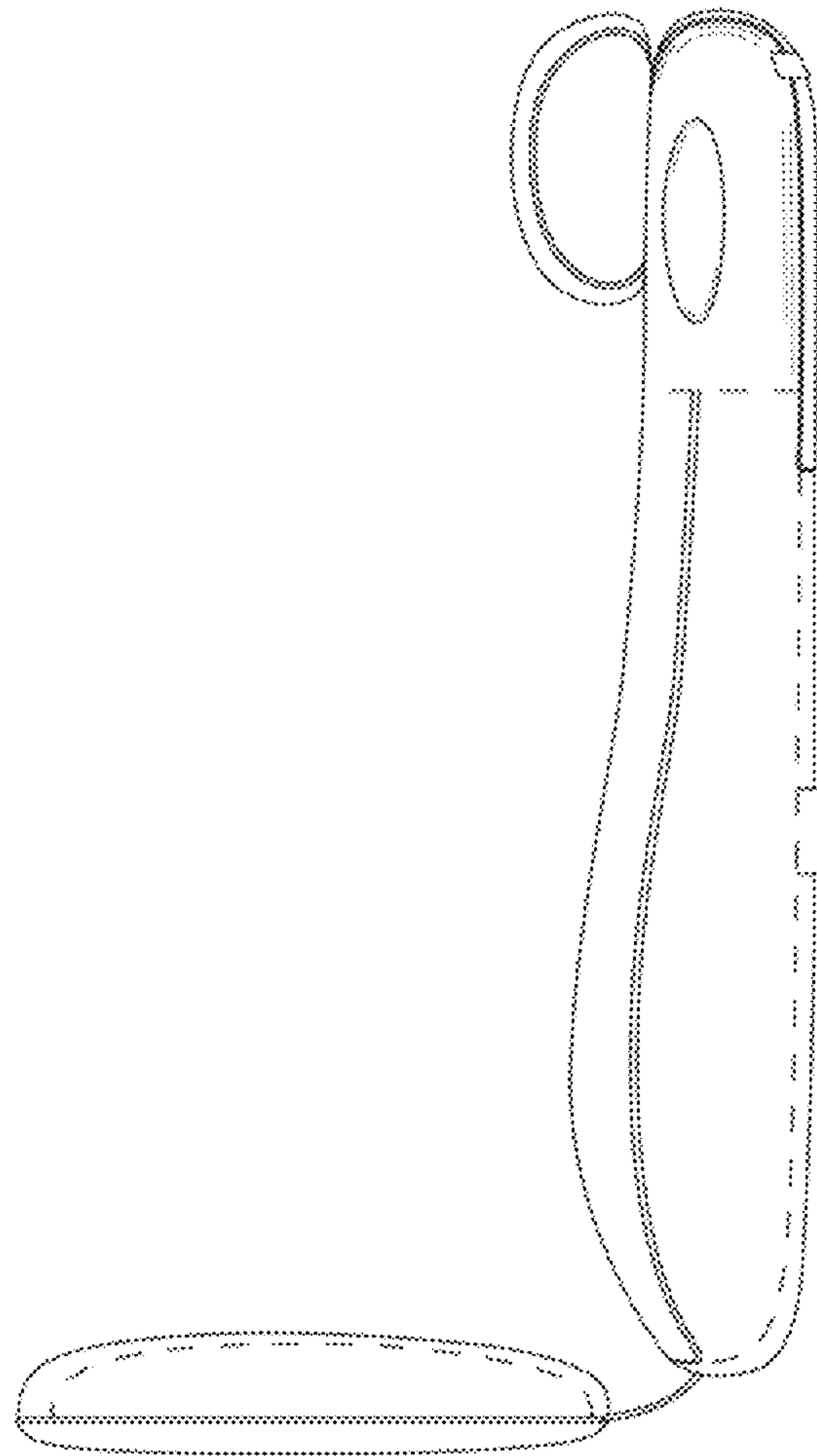


FIG. 11

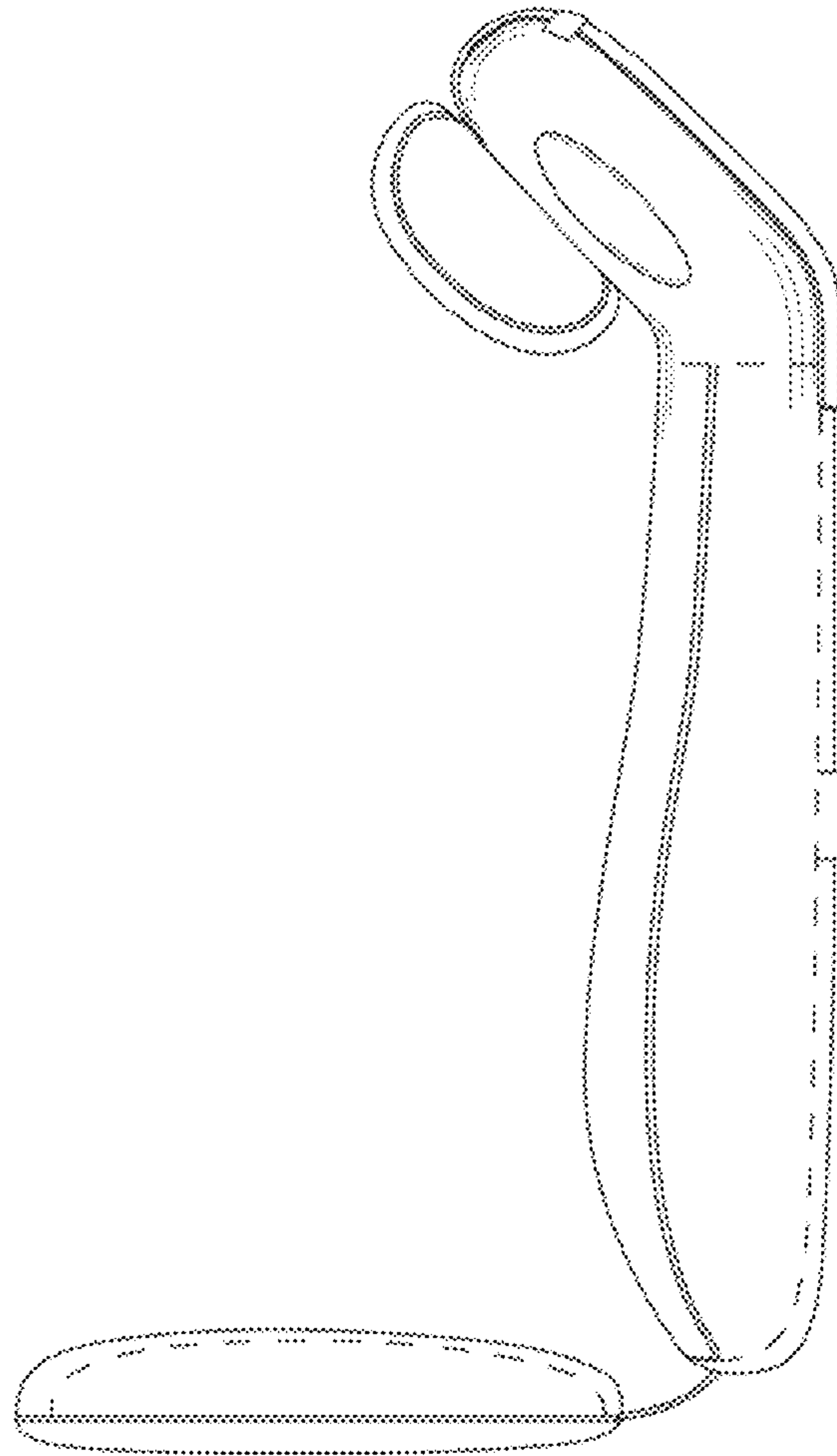


FIG. 12

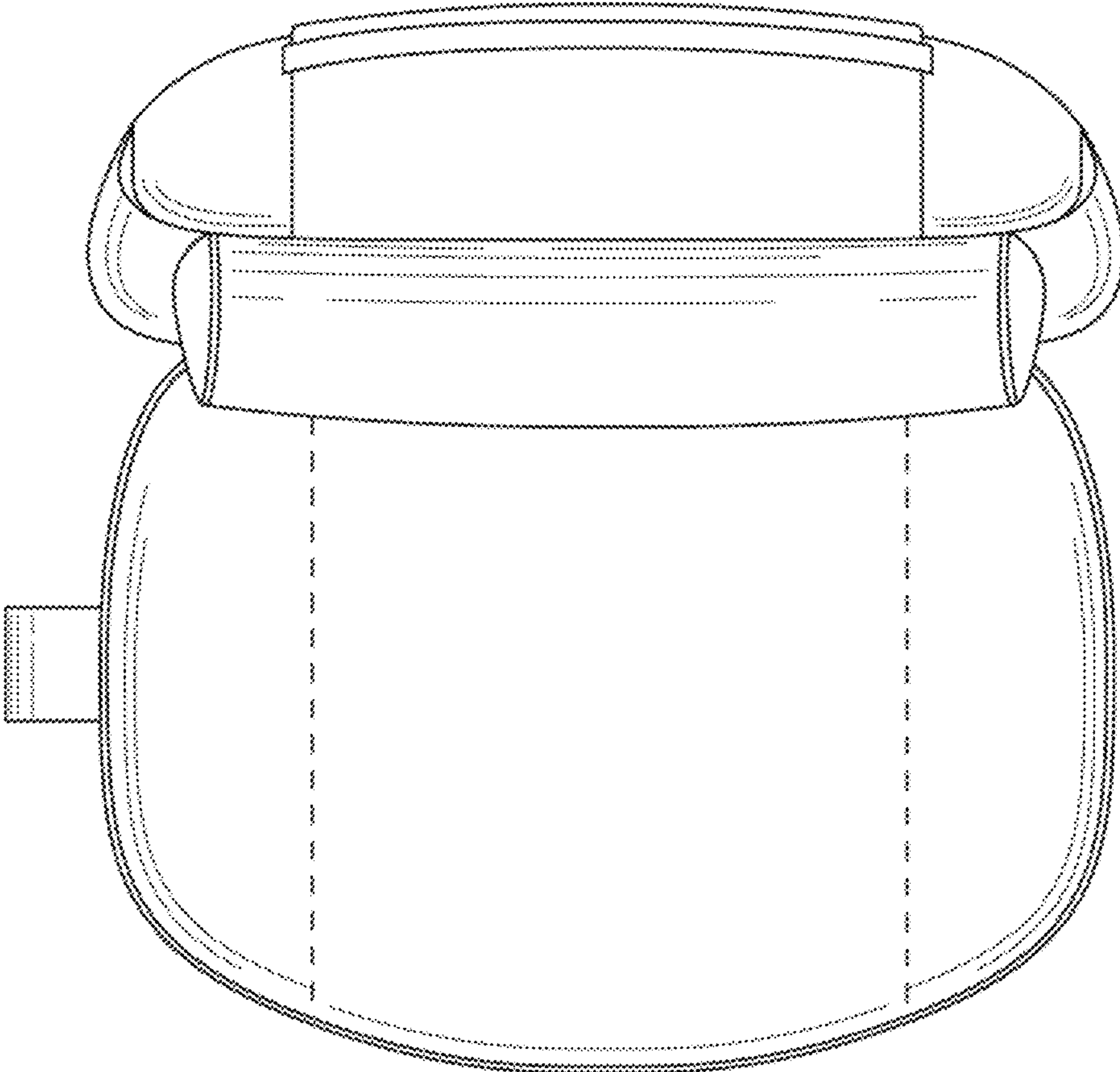


FIG. 13

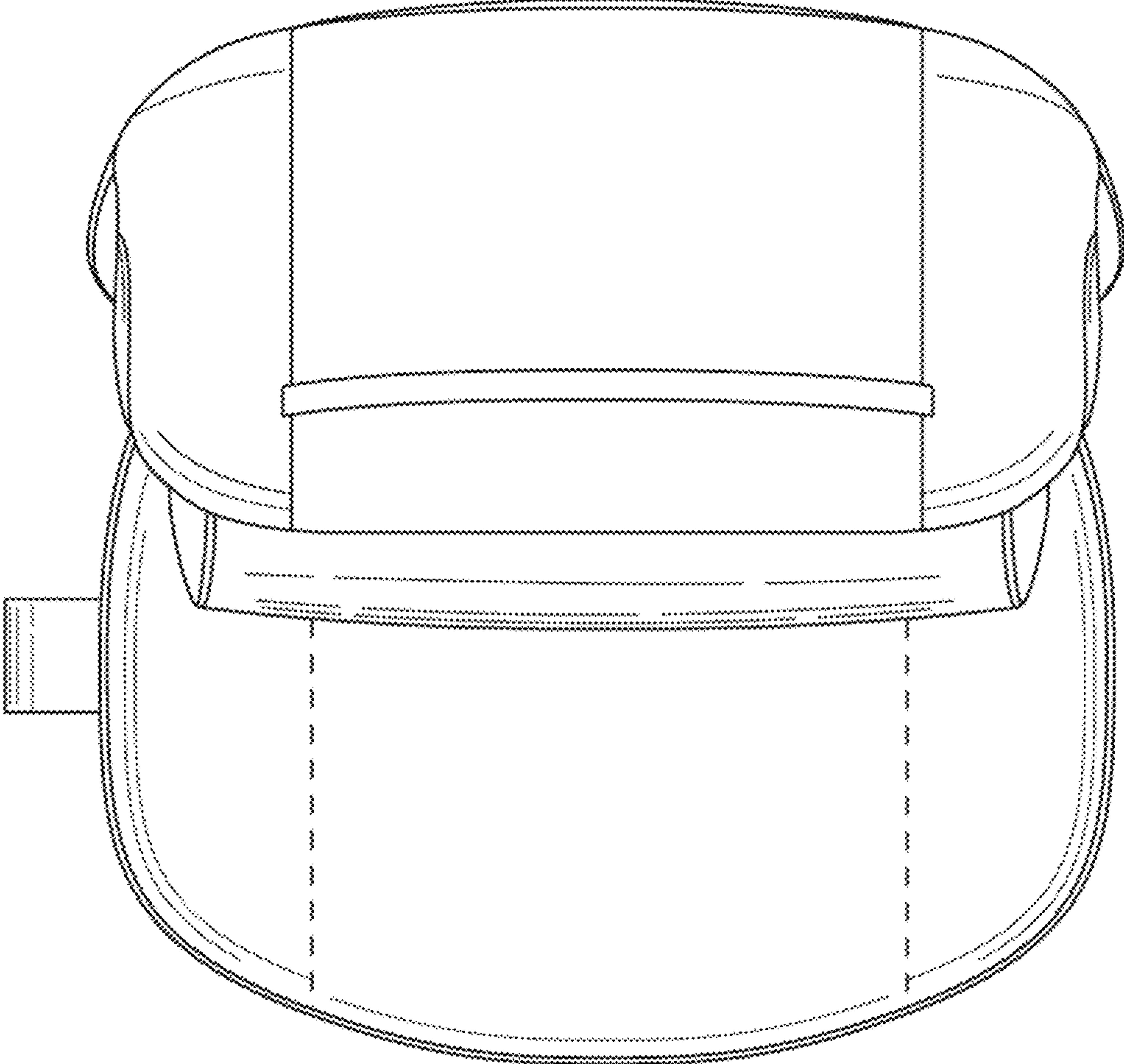


FIG. 14

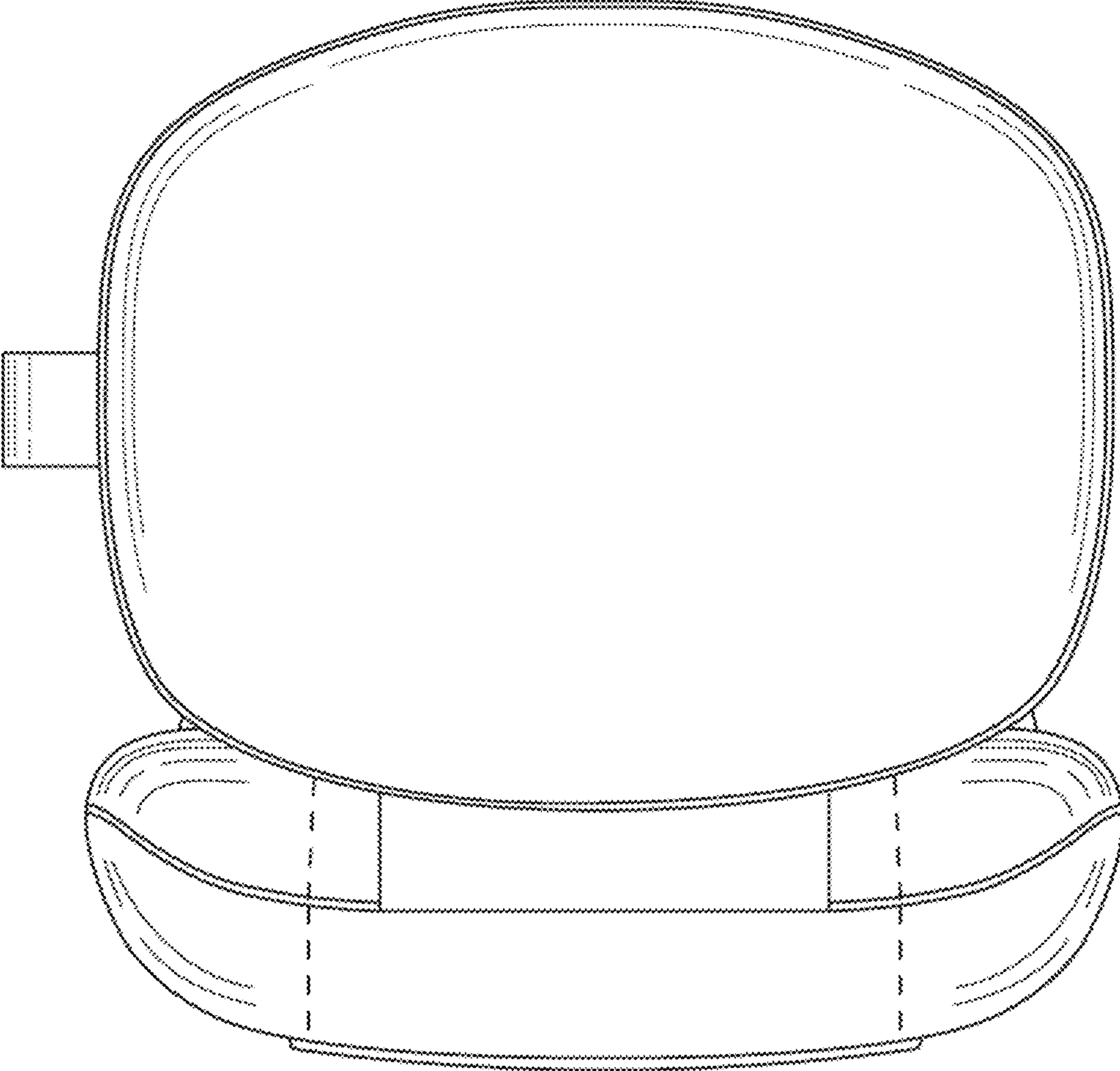


FIG. 15

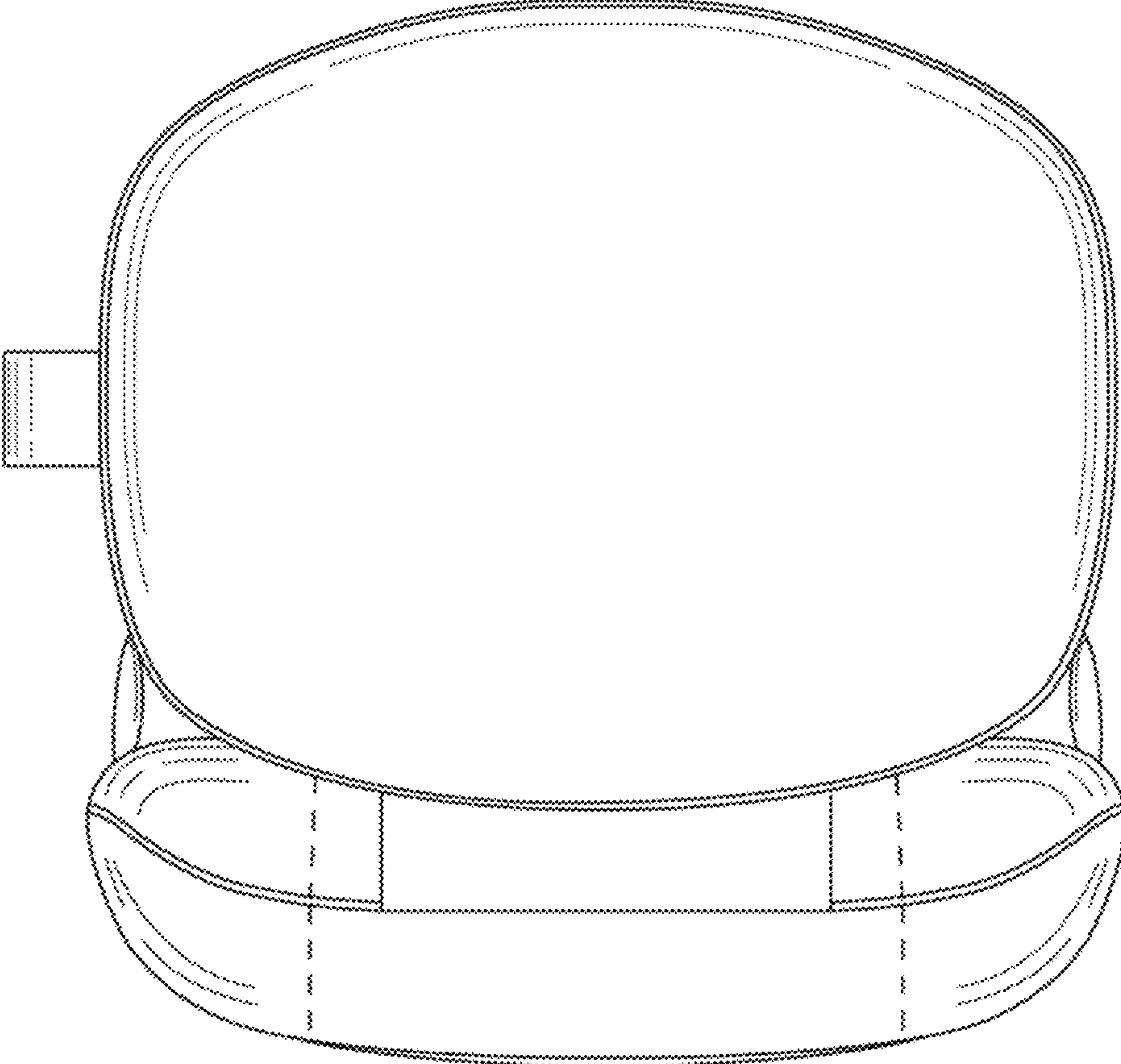


FIG. 16