



US00D966536S

(12) **United States Design Patent** (10) **Patent No.:** **US D966,536 S**
Fernandez (45) **Date of Patent:** **** Oct. 11, 2022**

(54) **BABY BOTTLE TETHER**
(71) Applicant: **Busy Baby LLC**, Oronoco, MN (US)
(72) Inventor: **Katherine Fernandez**, Pompano Beach, FL (US)
(73) Assignee: **Busy Baby LLC**, Oronoco, MN (US)
(**) Term: **15 Years**
(21) Appl. No.: **29/747,634**
(22) Filed: **Aug. 24, 2020**
(51) **LOC (13) Cl.** **07-01**
(52) **U.S. Cl.**
USPC **D24/199**; D24/193; D29/122
(58) **Field of Classification Search**
USPC D24/193, 194, 195, 199, 214; D29/118, D29/122; D30/154, 160; D4/104, 107; D2/614; D21/576, 584, 596, 604, 611, D21/630, 643, 684, 725; D11/81
CPC A61J 17/111; A61J 17/1115; A61J 17/001; A61J 17/1111; A61J 17/02; A61J 9/005; A46B 15/0097; A63B 23/032; B60N 2/28; B60N 2/26
See application file for complete search history.

(56) **References Cited**
U.S. PATENT DOCUMENTS
2,532,116 A * 11/1950 Monaco A63H 5/00 446/419
3,773,287 A * 11/1973 Hechinger A61J 9/0623 248/102
3,850,393 A * 11/1974 Marquard A61J 9/0684 248/102
5,037,046 A * 8/1991 Mingleedorff, Jr. A61J 9/0638 248/141
D512,910 S * 12/2005 Haslam D9/434
D626,654 S * 11/2010 Carter D24/199
D701,966 S * 4/2014 Owada D24/199

D722,726 S * 2/2015 Reukema D29/101.1
D850,636 S * 6/2019 Davidson D24/194
D909,045 S * 2/2021 Davidson D3/202
D931,478 S * 9/2021 Ferrell D24/193
2007/0067964 A1* 3/2007 McQuarrie A45F 5/02 24/3.13
2021/0121370 A1* 4/2021 Lehman H04M 1/72412

OTHER PUBLICATIONS

“BusyBaby: Bottle Tether/Busy Mat”. Found online Jan. 6, 2022 at facebook.com. Reference dated Apr. 1, 2021. Retrieved from https://www.facebook.com/busybabymat/photos/a.499233010607288/1038069826723601/?type=3.*

(Continued)

Primary Examiner — Kendra Leslie Hamilton
(74) *Attorney, Agent, or Firm* — Headland Law & Strategy; Matthew J. Smyth

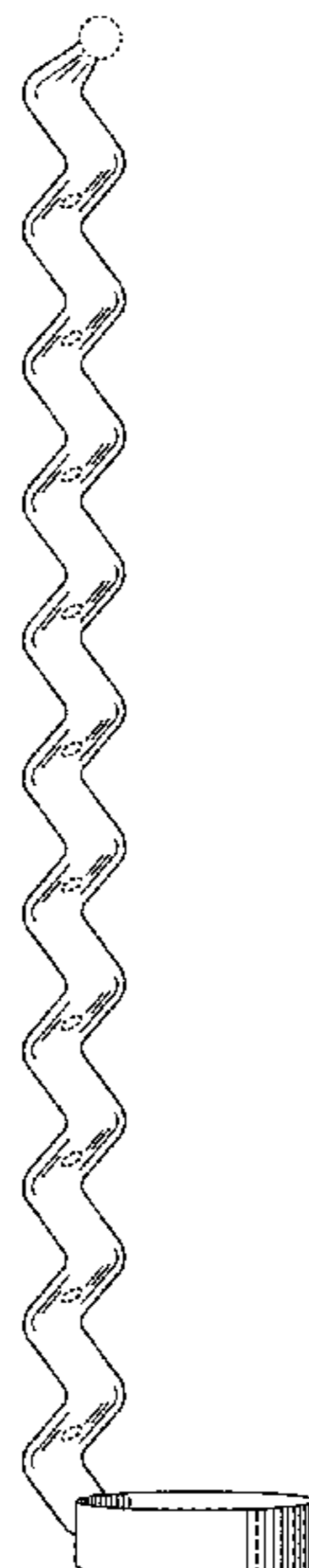
(57) **CLAIM**

The ornamental design for a baby bottle tether, as shown and described.

DESCRIPTION

FIG. 1 is a top, front, left perspective view of a baby bottle tether, showing my new design;
FIG. 2 is a top, rear left perspective view thereof;
FIG. 3 is a front elevation view thereof;
FIG. 4 is a rear elevation view thereof;
FIG. 5 is a right side elevation thereof;
FIG. 6 is a left side elevation view thereof;
FIG. 7 is a top plan view of the baby bottle tether of FIG. 1; and,
FIG. 8 is a bottom plan view thereof.
In the drawings, the equal-length broken lines depict unclaimed portions of the baby bottle tether and form no part of the claimed design.

1 Claim, 7 Drawing Sheets



(56)

References Cited

OTHER PUBLICATIONS

“Lil’ Sidekick: Sippy Cup Multi-Functional Strap”. Found online Jul. 23, 2020 at lilsidekick.com. Reference dated Apr. 2, 2016. Retrieved from https://tineye.com/search/fa3acabdd9933c96c5742e28bc006e2a8120130e?sort=crawl_date&order=asc&page=1.*

“BooginHead: SippiGrip Baby Bottle/Sippy Cup Strap”. Found online Jan. 6, 2022 at amazon.com. Reference dated Feb. 23, 2020. Retrieved from <https://www.amazon.com/BooginHead-Toddler-Sippigrip-Silicone-Holder/dp/B082PL82L9/>.*

“SMAuto: Silicone Toy/Pacifier/Bottle Safety Straps”. Found online Jan. 6, 2022 at amazon.com. Reference dated Aug. 16, 2019. Retrieved from <https://www.amazon.com/Stretchable-Silicone-Pacifier-Strollers-Shopping/dp/B07S2GGTYG/>.*

* cited by examiner

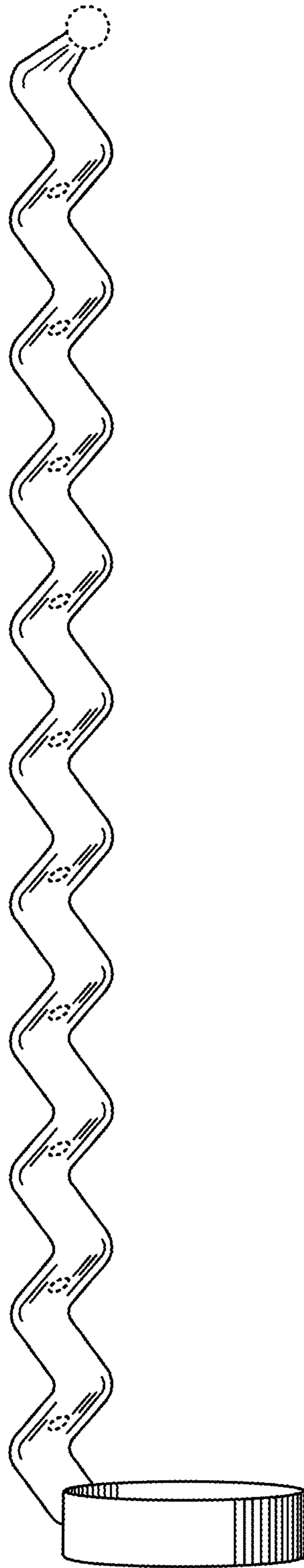


FIG. 1

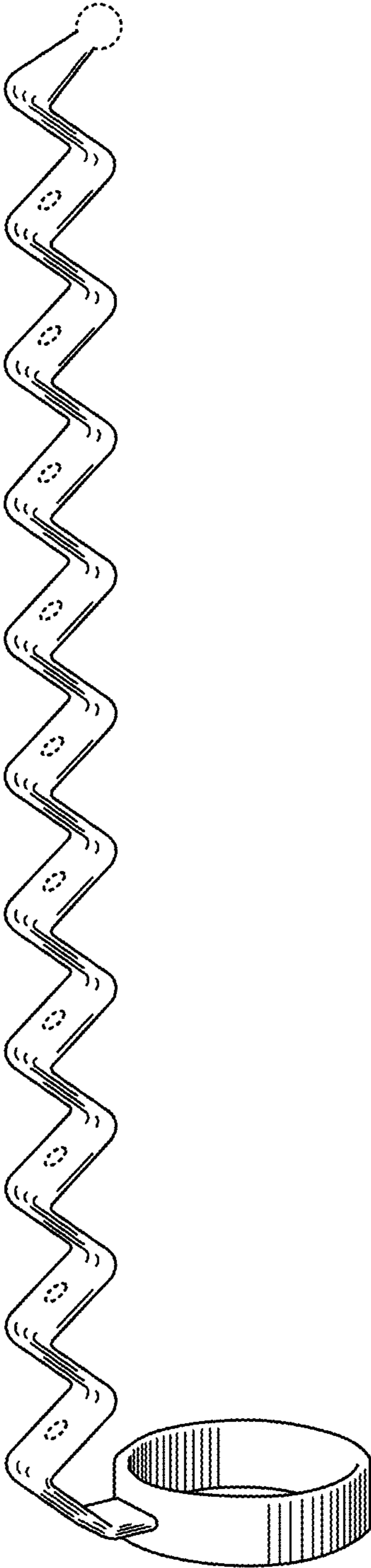


FIG. 2

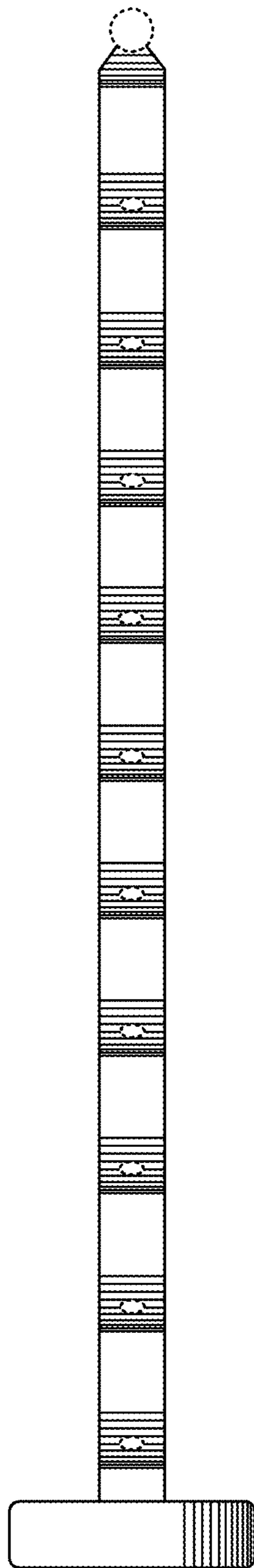


FIG. 3

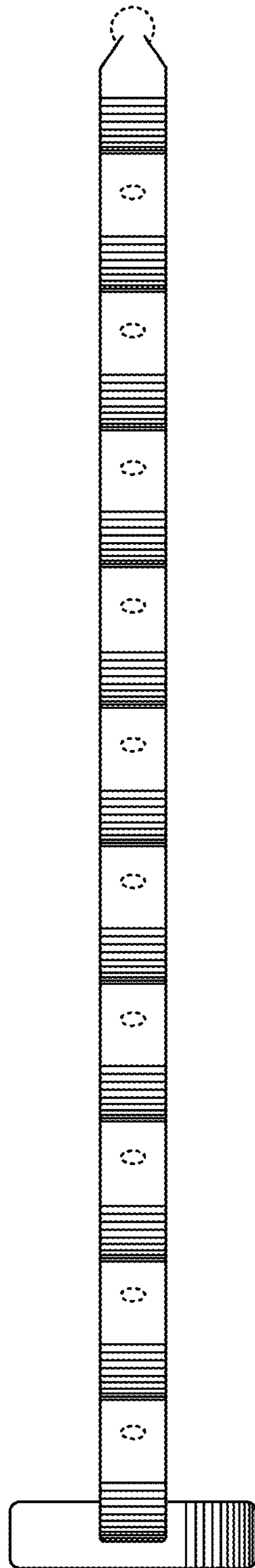


FIG. 4

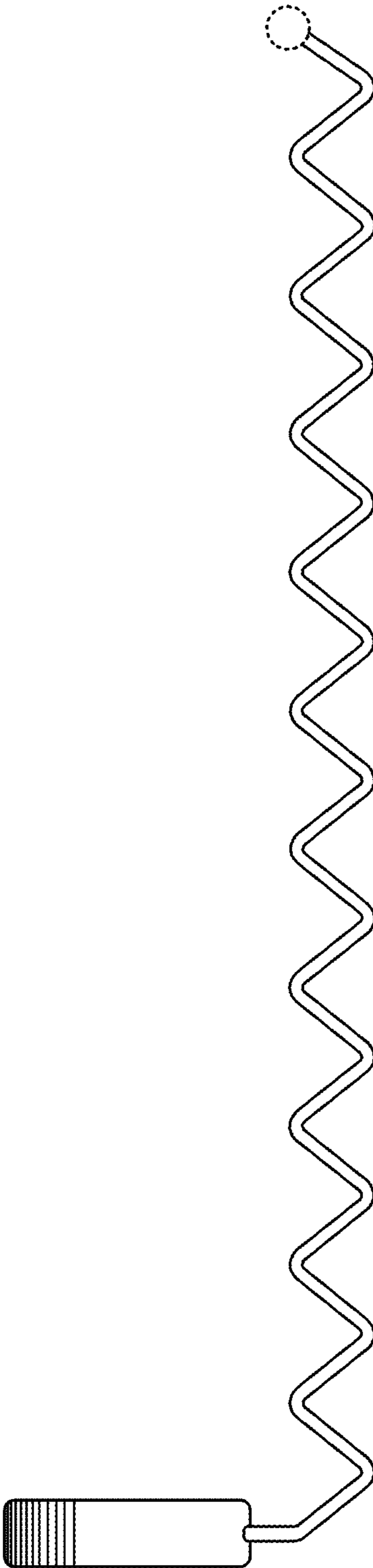


FIG. 5

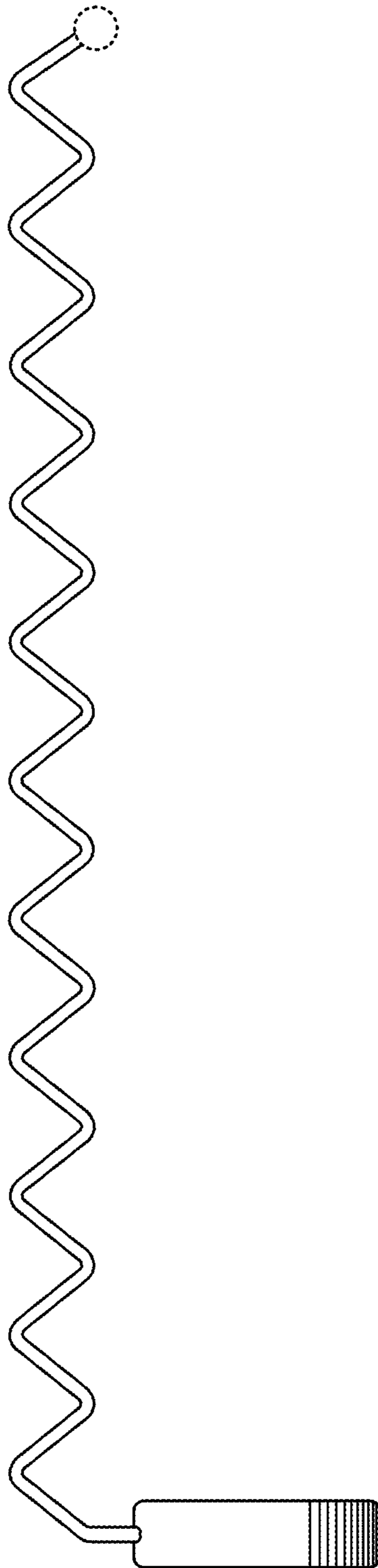


FIG. 6

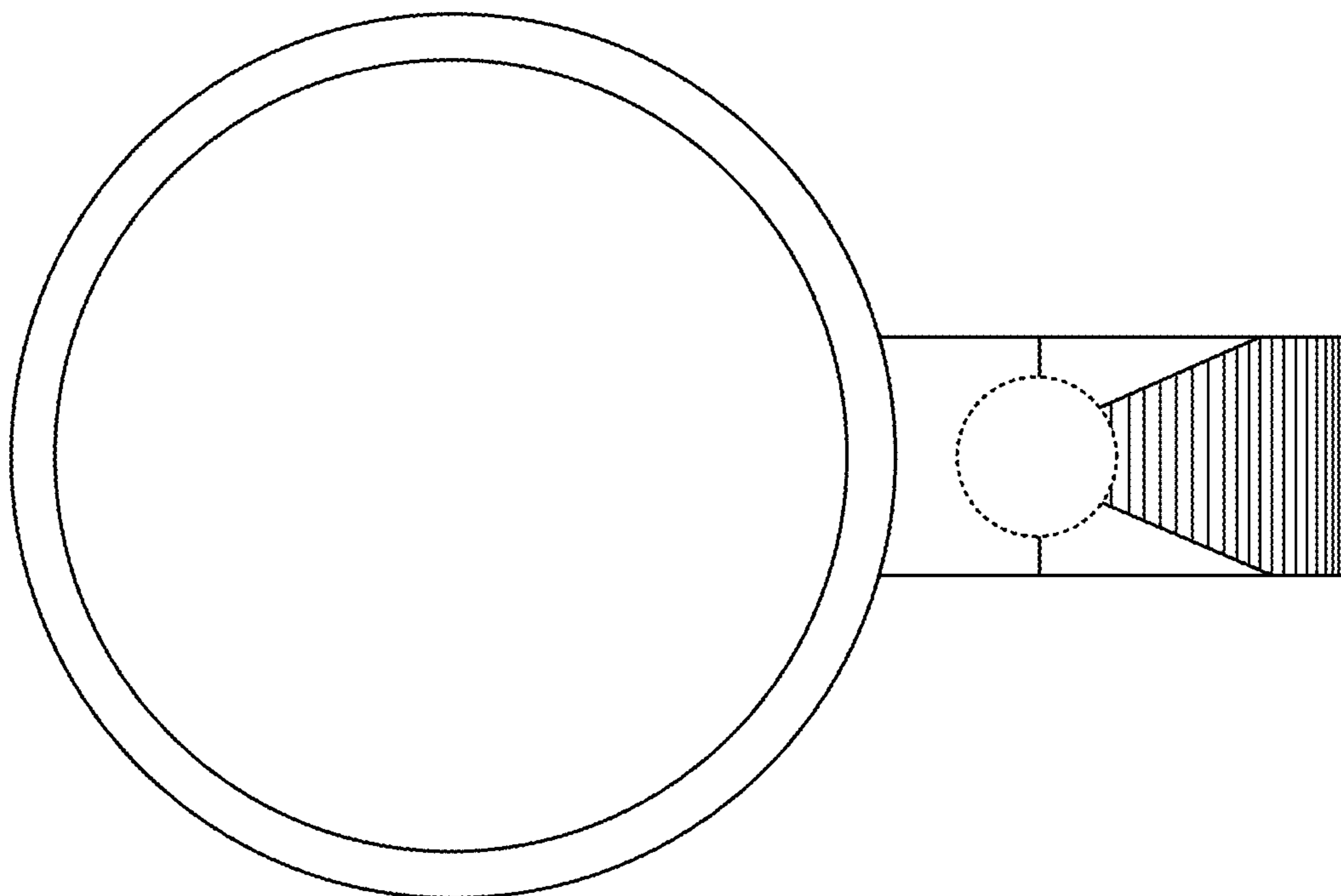


FIG. 7

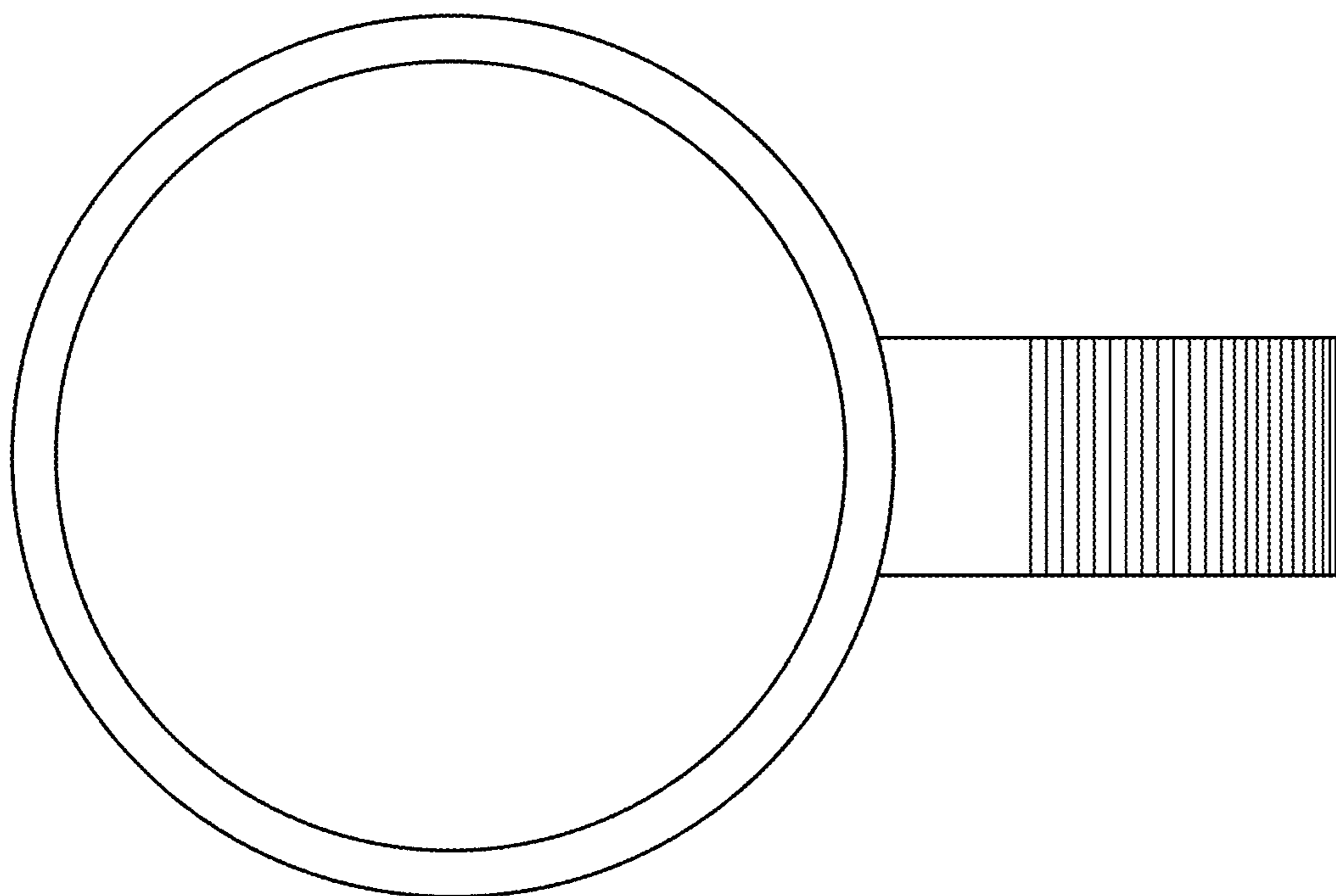


FIG. 8