



US00D966534S

(12) **United States Design Patent**
Zilber

(10) **Patent No.:** **US D966,534 S**

(45) **Date of Patent:** **** Oct. 11, 2022**

- (54) **PACIFIER**
- (71) Applicant: **Med et al., Inc.**, Matthews, NC (US)
- (72) Inventor: **David Zilber**, Matthews, NC (US)
- (73) Assignee: **MED ET AL., INC.**, Matthews, NC (US)

- 2,536,633 A 1/1951 Fitch
- 2,633,126 A 3/1953 Newmark
- 2,684,065 A 7/1954 Umbenhower
- 2,688,961 A 9/1954 Thomas
- 2,798,482 A 7/1957 Feeney
- (Continued)

(**) Term: **15 Years**

(21) Appl. No.: **29/698,170**

(22) Filed: **Jul. 15, 2019**

(51) **LOC (13) Cl.** **24-04**

(52) **U.S. Cl.**
USPC **D24/194**

(58) **Field of Classification Search**
USPC D24/193, 194, 195, 196, 199; D30/160;
D21/625, 627, 659
CPC A61J 17/001
See application file for complete search history.

(56) **References Cited**

U.S. PATENT DOCUMENTS

490,733 A	1/1893	Mat
1,048,569 A	12/1912	Mitchell
1,161,478 A	11/1915	Jackson
1,315,035 A	9/1919	Post
1,345,783 A	7/1920	Kelly
1,561,631 A	11/1925	Winter
1,568,668 A	1/1926	Harrison
1,584,999 A	5/1926	Thompson
1,633,037 A	6/1927	Rood
1,652,867 A	12/1927	MacLachlan
1,733,933 A	10/1929	Beltz
D90,678 S	9/1933	Parke
1,929,318 A	10/1933	Klosky
1,990,384 A	2/1935	Klohs
2,074,113 A	3/1937	Hovey
2,127,421 A	8/1938	Paul
2,225,896 A	12/1940	Hobart
2,442,176 A	5/1948	Orr et al.
2,477,126 A	7/1949	Hartmann

FOREIGN PATENT DOCUMENTS

WO WO 03/009790 2/2003

OTHER PUBLICATIONS

“Safety 1st: Med Dispenser Pacifier”. Found online Jul. 29, 2016 at toysrus.com. Reference dated Jul. 1, 2013. Retrieved from <http://www.toysrus.com/buy/babies/safety-1st-med-dispenser-pacifier-49925-4407947>.*

(Continued)

Primary Examiner — Kendra Leslie Hamilton
(74) *Attorney, Agent, or Firm* — Burr & Forman LLP

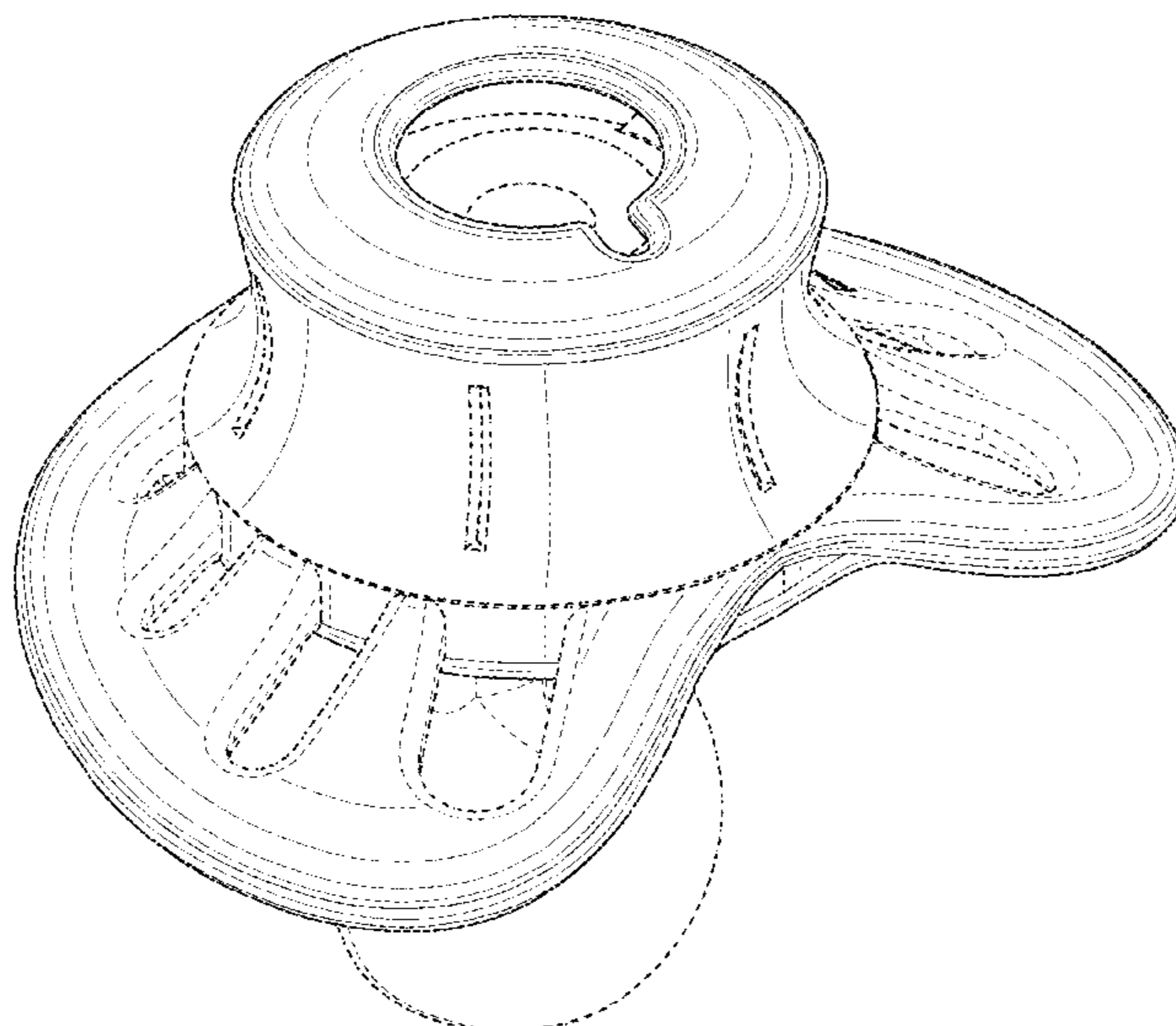
(57) **CLAIM**

The ornamental design for a pacifier, as shown and described.

DESCRIPTION

FIG. 1 is a top, rear, left perspective view of a pacifier showing my new design;
FIG. 2 is a top, front, right perspective view thereof;
FIG. 3 is a bottom, rear, right perspective view thereof;
FIG. 4 is a bottom front, left perspective view thereof;
FIG. 5 is a top plan view thereof;
FIG. 6 is a bottom plan view thereof;
FIG. 7 is a left side elevation view thereof;
FIG. 8 is a right side elevation view thereof;
FIG. 9 is a front elevation view thereof; and,
FIG. 10 is a rear elevation view thereof.
The broken lines in the drawings depict portions of the pacifier that form no part of the claimed design.

1 Claim, 10 Drawing Sheets



(56)

References Cited

U.S. PATENT DOCUMENTS

3,442,267 A 5/1969 Krygier
 4,062,540 A 12/1977 Calentine
 4,396,014 A 8/1983 Pace et al.
 4,665,907 A 5/1987 Levertte
 5,197,943 A 3/1993 Link
 D358,687 S 5/1995 Kim
 5,474,093 A 12/1995 Pettiet
 5,515,870 A 5/1996 Zilber
 D381,751 S 7/1997 Lun
 5,797,405 A 8/1998 Brock
 D403,138 S 12/1998 Wilmot
 D405,557 S 2/1999 Lindsay
 5,954,749 A * 9/1999 Fields A61J 17/111
 606/234
 D416,650 S 11/1999 Stevens
 D421,185 S 2/2000 Remme
 D434,192 S 11/2000 Warrior
 D435,319 S 12/2000 Murphy
 6,692,452 B2 2/2004 Chow
 D532,521 S * 11/2006 Struckmeier D24/194
 D532,522 S * 11/2006 Struckmeier D24/194
 D575,906 S 8/2008 Drangel et al.
 D632,401 S 2/2011 Stevne
 D640,382 S 6/2011 Roehrig
 D640,384 S 6/2011 Roehrig
 D640,835 S 6/2011 Logan
 D656,619 S * 3/2012 Valderrama D24/194
 D662,600 S * 6/2012 Rhodes, II D24/194
 D674,147 S 1/2013 Martin, Jr.
 D686,331 S * 7/2013 Dussere D24/194
 8,771,212 B1 7/2014 Garris et al.
 D713,968 S 9/2014 Hyslop
 D713,998 S 9/2014 Tiller et al.
 D740,430 S * 10/2015 Oates, II D24/194
 D825,064 S 8/2018 Wong
 D825,065 S 8/2018 Wong
 D844,153 S 3/2019 Han
 D908,896 S * 1/2021 Bajor D24/194
 2002/0169404 A1 11/2002 Olderr
 2013/0327344 A1 12/2013 Ziler
 2015/0051646 A1 * 2/2015 Chan A61J 17/02
 606/236
 2016/0220449 A1 * 8/2016 Zilber A61J 11/002

2019/0358129 A1 * 11/2019 Bergstrom A61J 17/113
 2020/0405582 A1 * 12/2020 Londeree A61J 17/1012
 2021/0106501 A1 * 4/2021 Blake A61J 17/001

OTHER PUBLICATIONS

“Tomme Tippee: Advanced Sensitive Skin Soother Pacifier”. Found online Sep. 29, 2021 at amazon.co.uk. Reference dated Jan. 1, 2021. Retrieved from <https://www.amazon.co.uk/Tomme-Tippee-Advanced-Sensitive-Symmetrical-Orthodontic/dp/B08P364XJQ/>. *

“Nuby: SoftFlex Orthodontic Pacifer”. Found online Apr. 20, 2020 at amazon.com. Reference dated Feb. 3, 2011. Retrieved from https://www.amazon.com/Nuby-2-Pack-SoftFlex-Orthodontic-Pacifiers/dp/B00290JYDI/ref=cm_cr_arp_d_product_top?ie=UTF8. *

“EeziMed: Medicine Pacifier”. Found online Jul. 29, 2016 at babyology.com.au. Reference dated Sep. 9, 2011. Retrieved from <http://babyology.com.au/gadgets/eezimed-dummy-makes-the-medicine-go-down.html>. *

Product information for tguard® Thumbguard : The Thumb-Sucking Solution (4 pages) website visited Sep. 28, 2015 <https://tguard.com/products/thumbguard/>.

“Stop Thumb Sucking Today with TGuard!” Found online Nov. 3, 2016 at tenard.com. Page dated Oct. 15, 2010. Retrieved from <https://web.archive.org/web/20101015064727/http://tguard.com/>.

“SkyMallfor Babies”. Found online Apr. 17, 2017 at daddyconfidential.com. Page dated Apr. 3, 2012. Retrieved from <http://daddyconfidential.com/2012/reviews/skymall-for-babies/>.

“Dr. Thumb: About Dr. Thumb”. Found online Apr. 17, 2017 at drthumb.co.uk. Page dated Jun. 24, 2013. Retrieved from <https://web-beta.archive.org/web/20130624053113/http://www.drthumb.co.uk/about.htm>.

“Stop Thumb Sucking: MeditoY”. Found online Nov. 3, 2016 at blog.naver.com. Page dated Dec. 27, 2014. Retrieved from <http://blog.naver.com/meditoY/220222063520>.

T Guard Aerofinger on Amazon, reviewed online Sep. 2018, viewed by examiner Apr. 24, 2019, available at URL: https://www.amazon.com/Tguard-AeroFinger-Tresiment-Finger-Sucking/dp/B07FTZBFVJ/ref=cm_cr_arp_d_product_top?ie=UTF8&th=1.

* cited by examiner

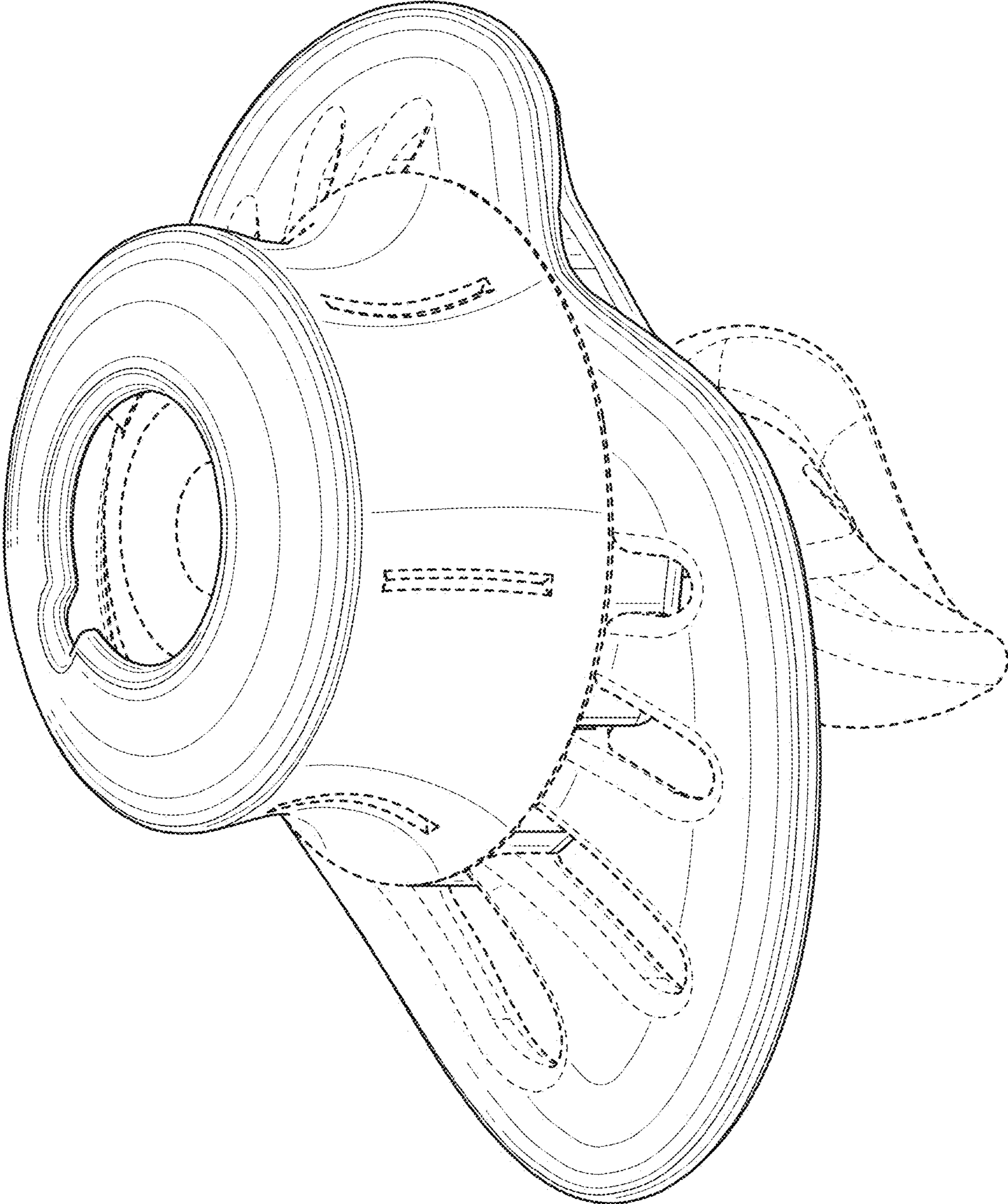


FIG. 1

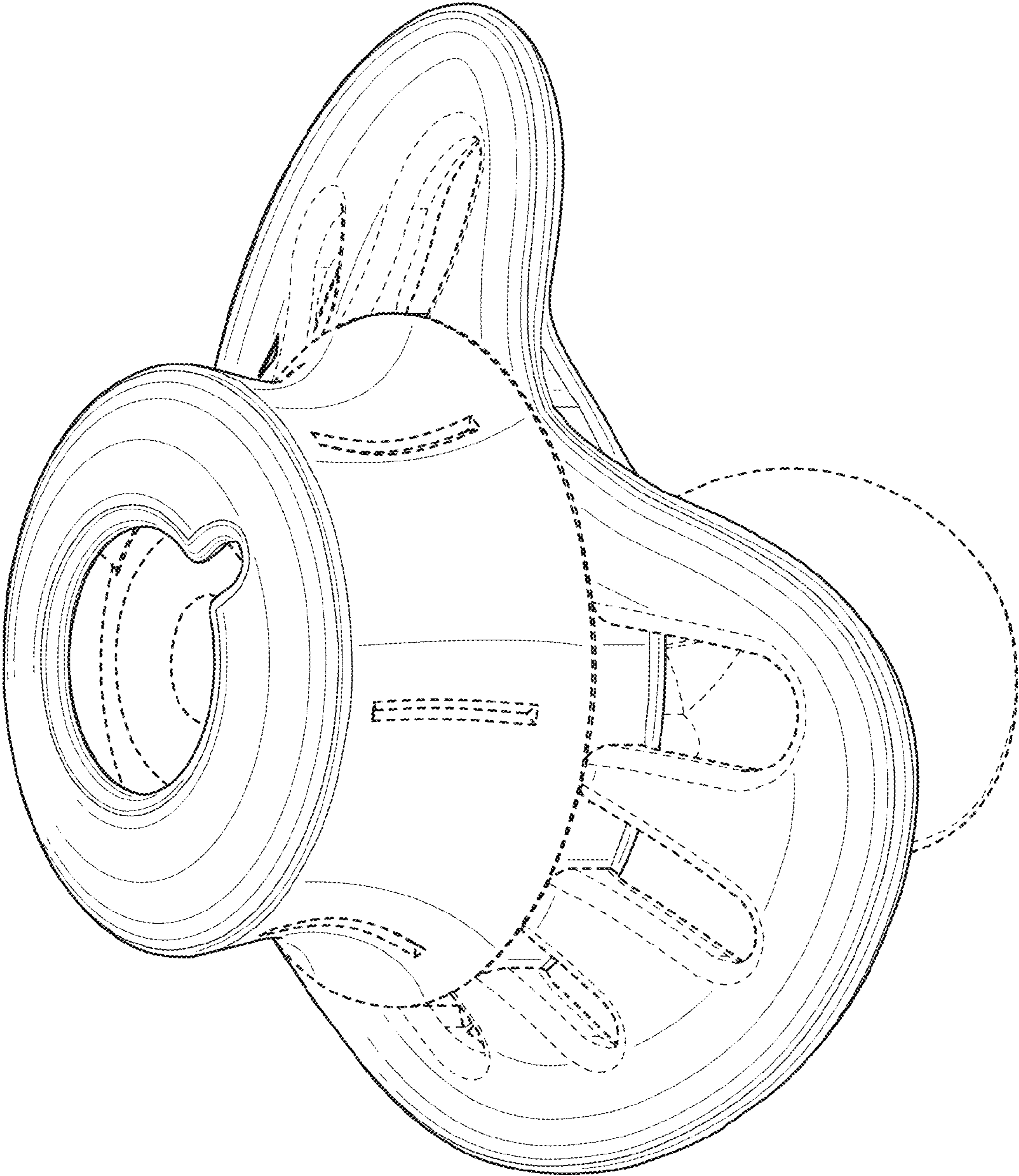


FIG. 2

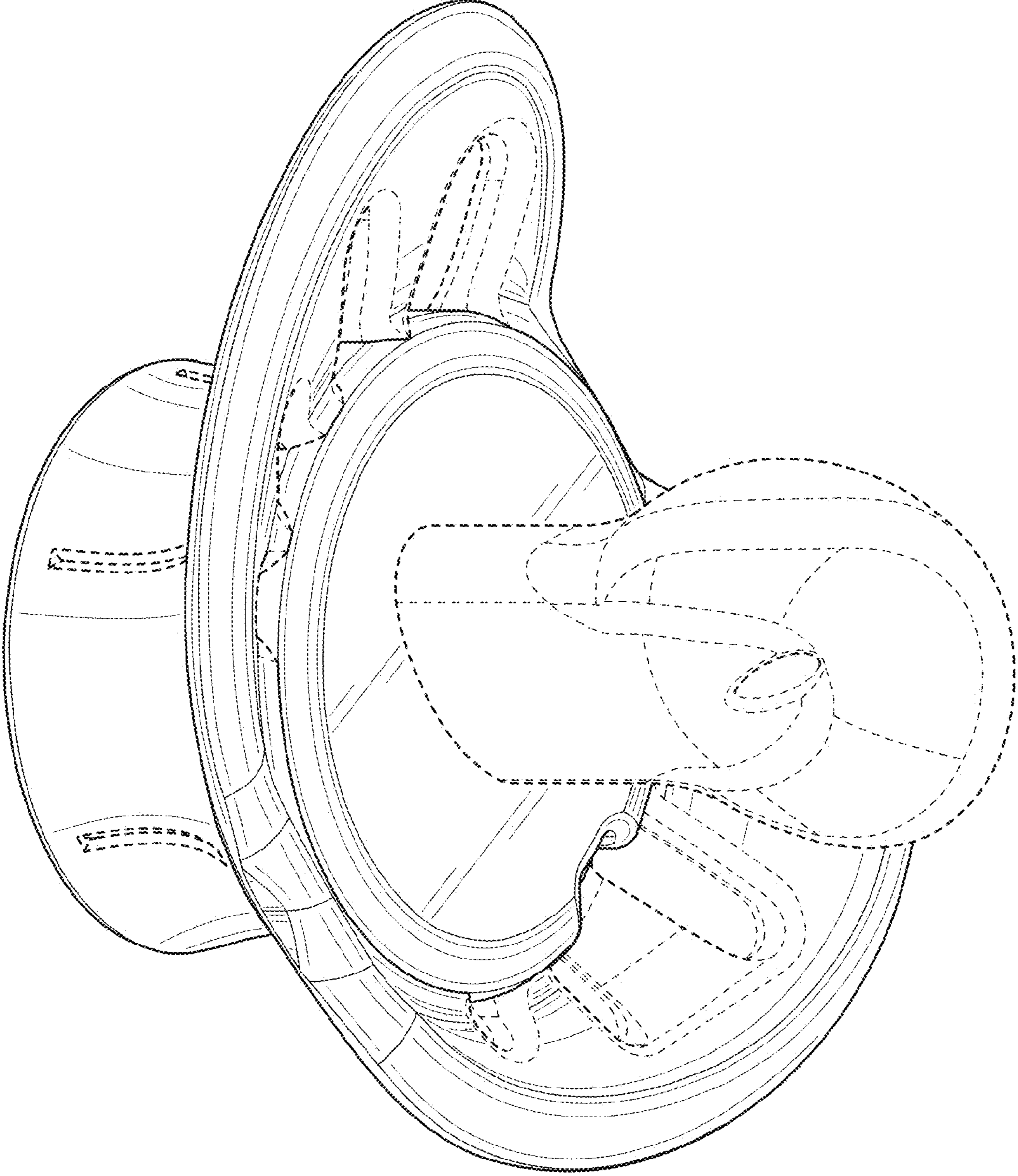


FIG. 3

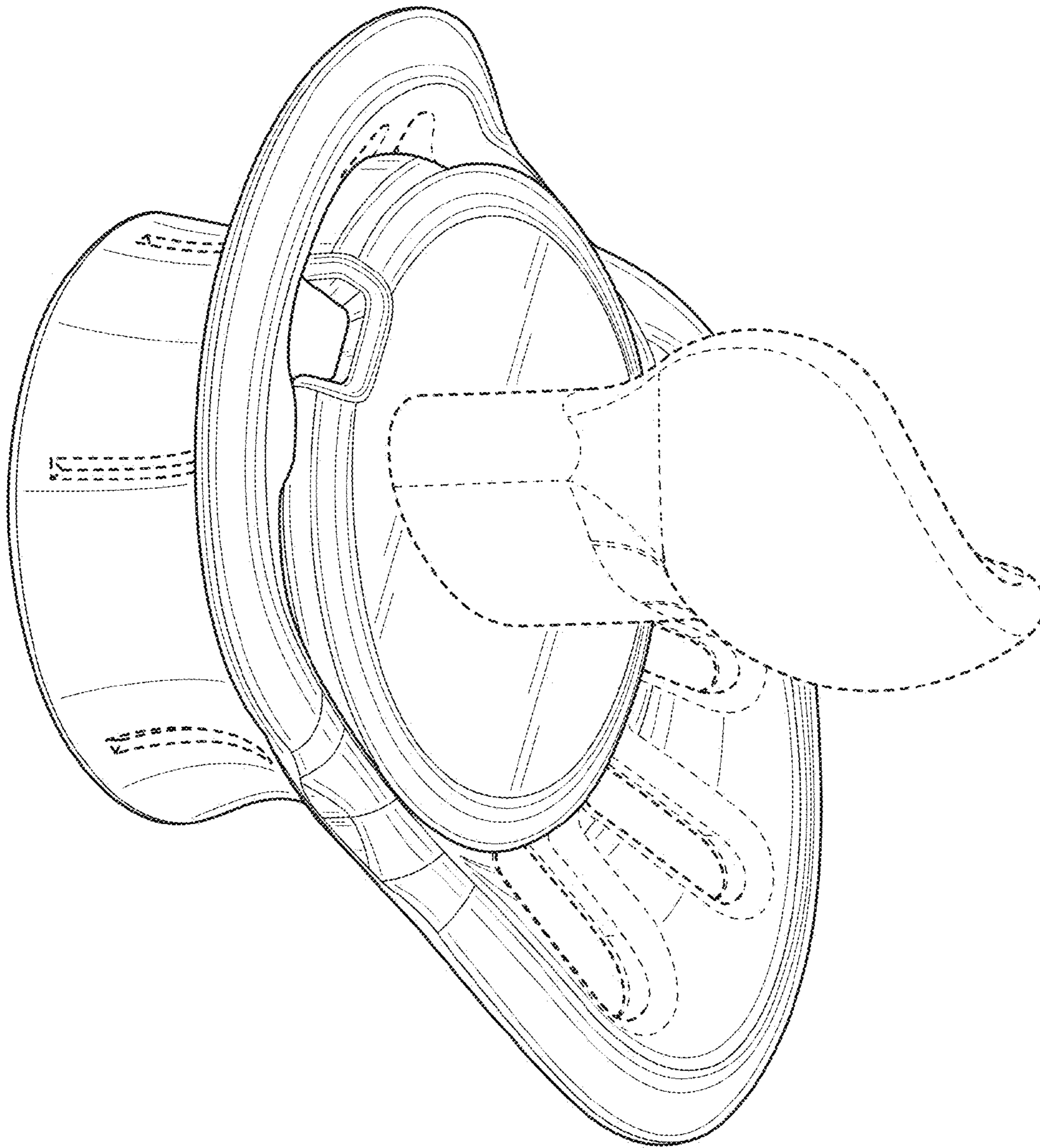


FIG. 4

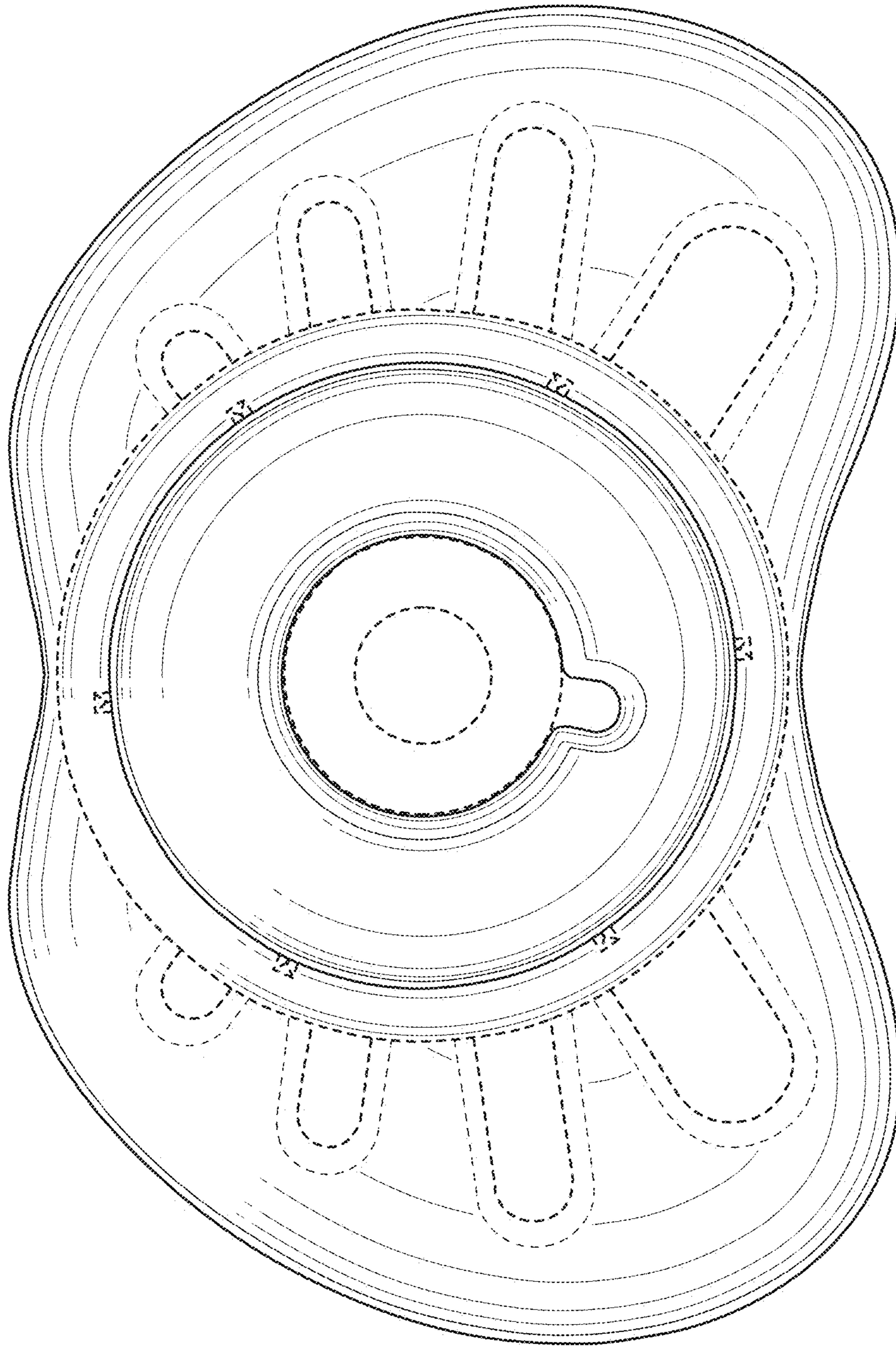


FIG. 5

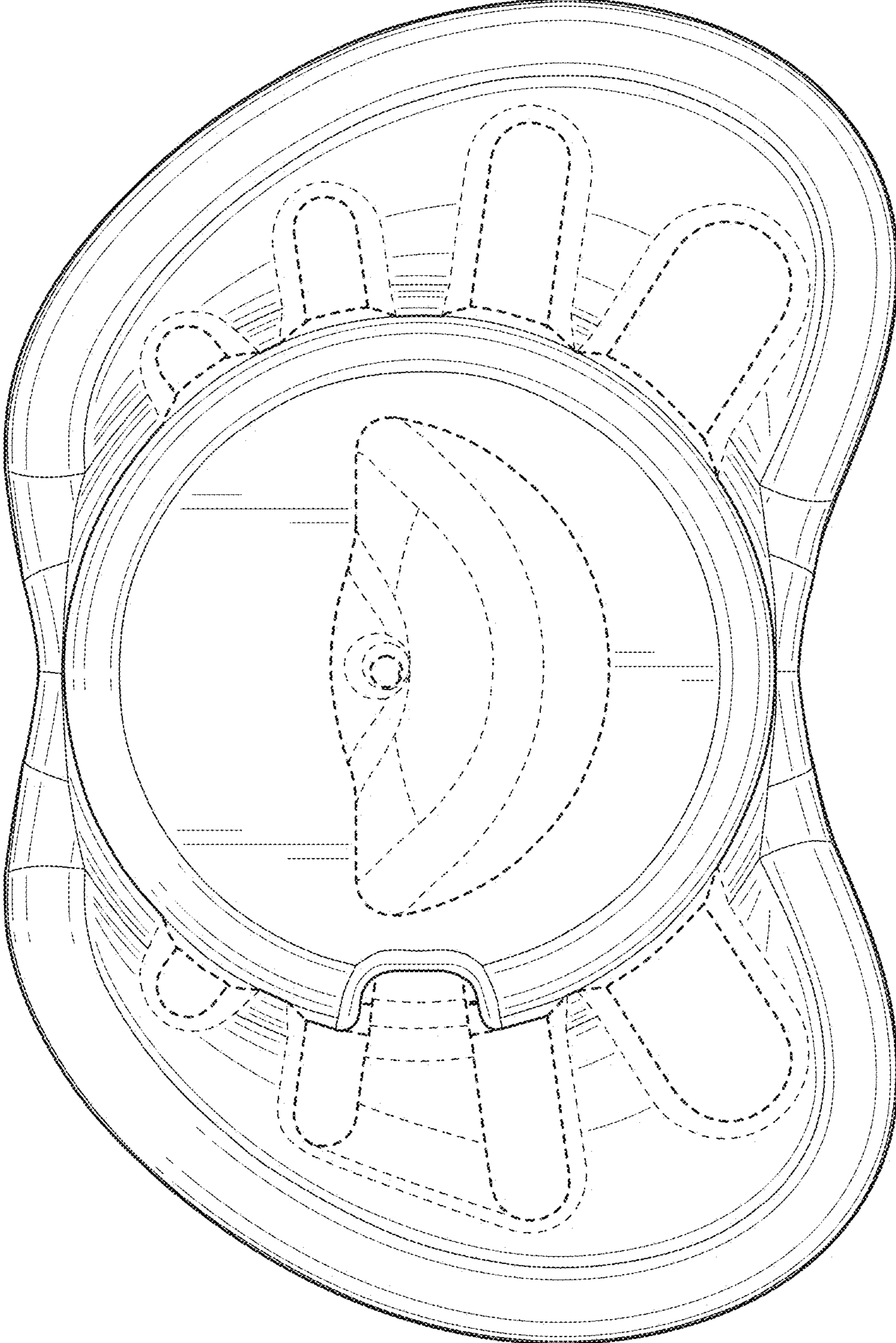


FIG. 6

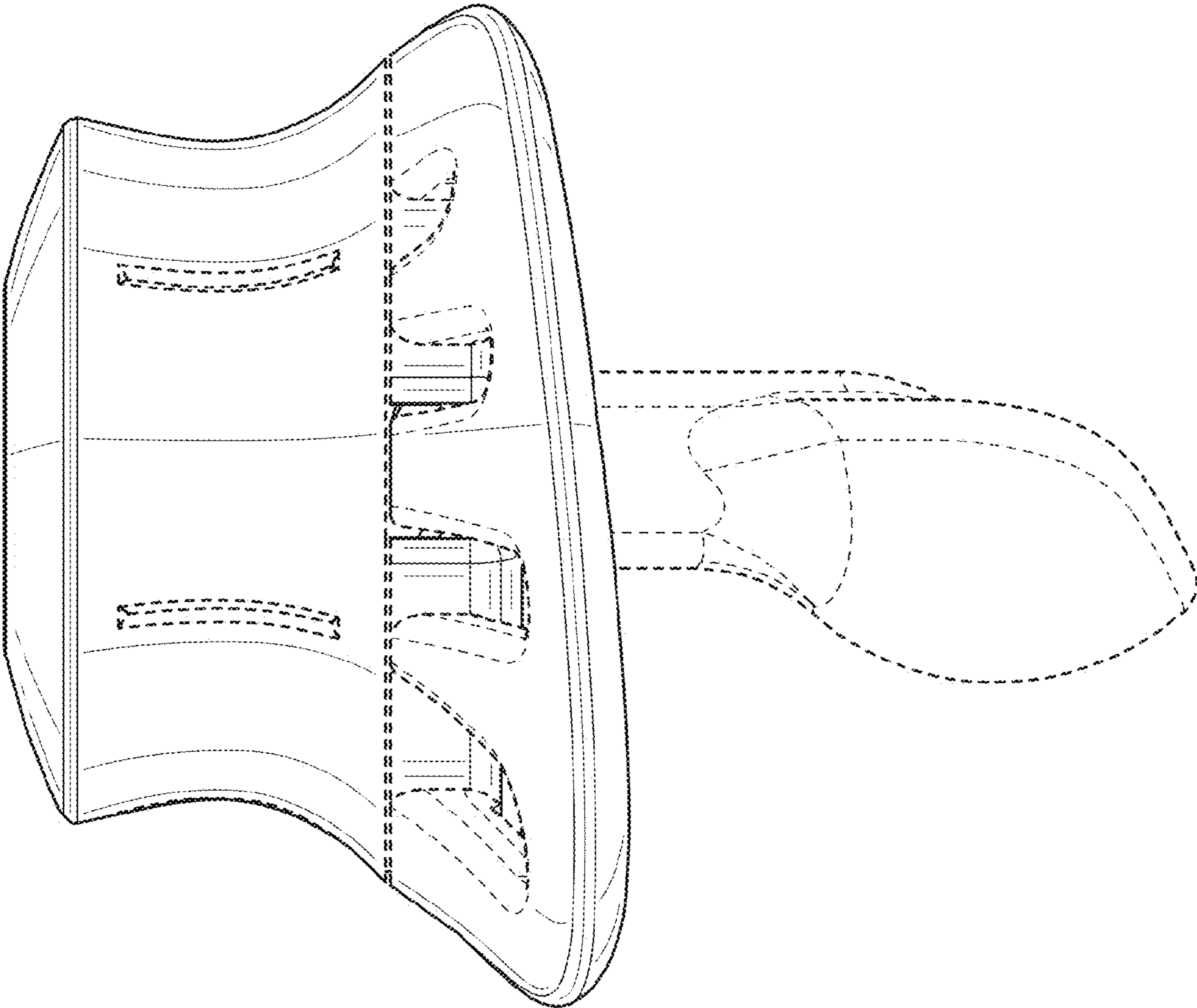


FIG. 7

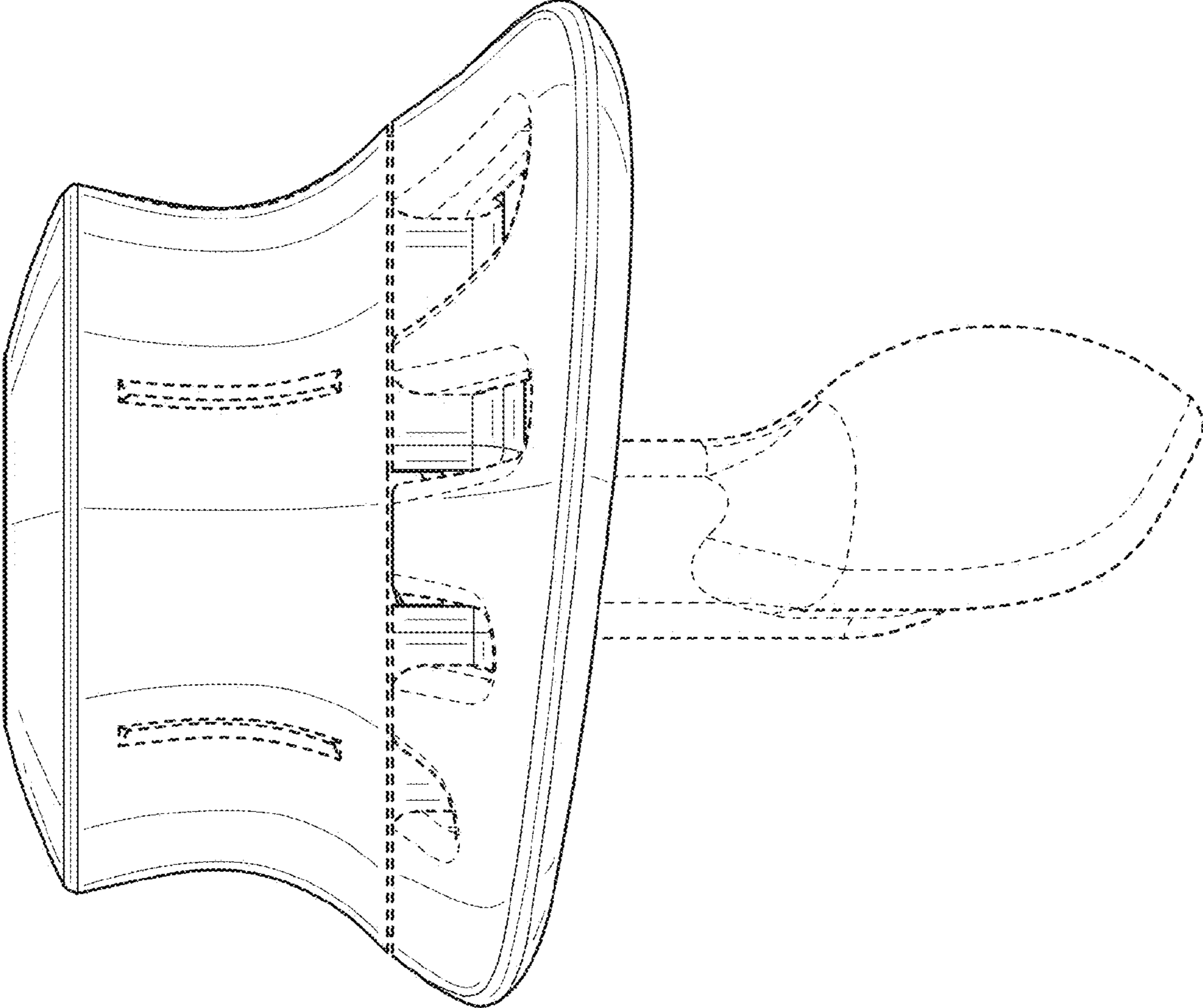


FIG. 8

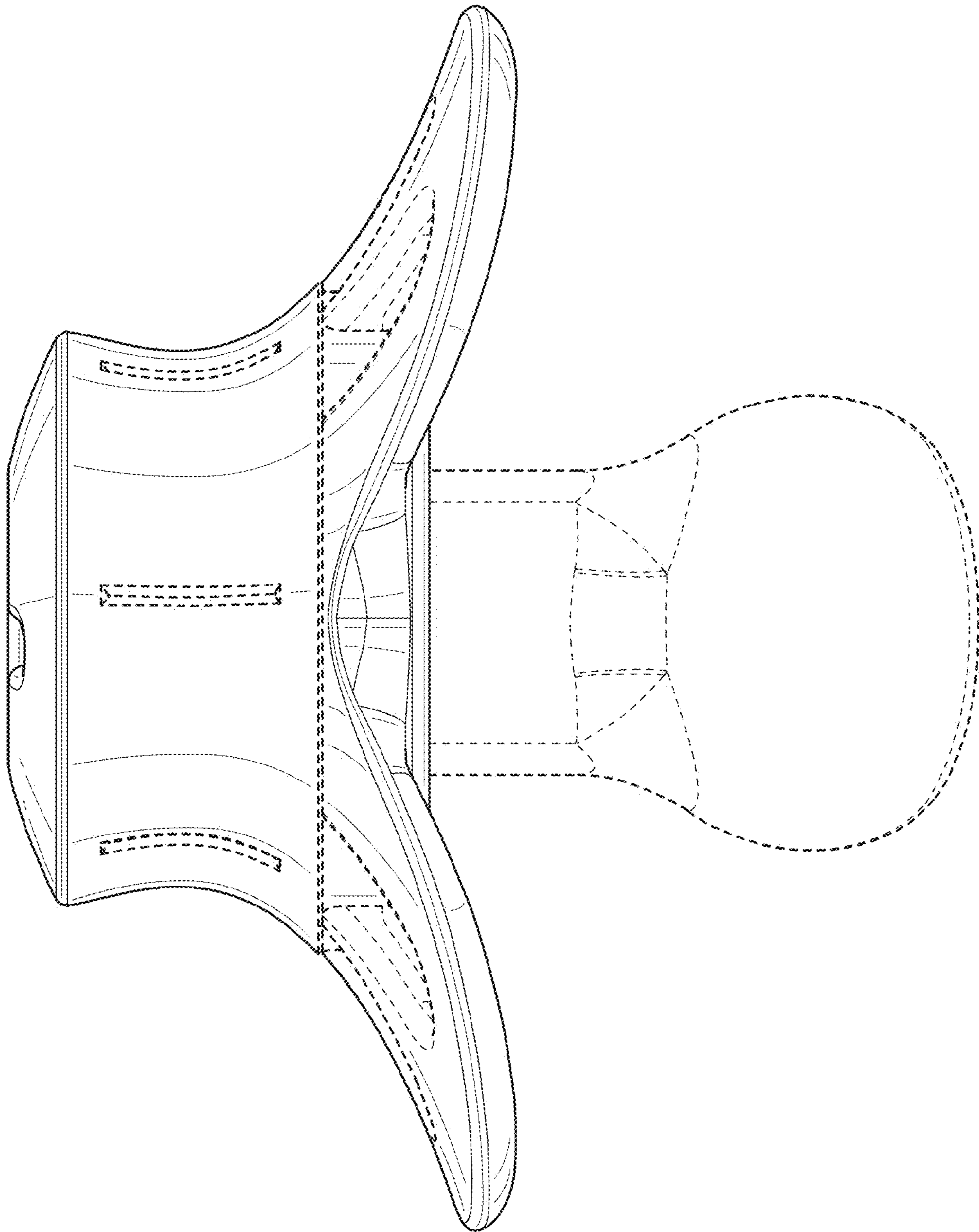


FIG. 9

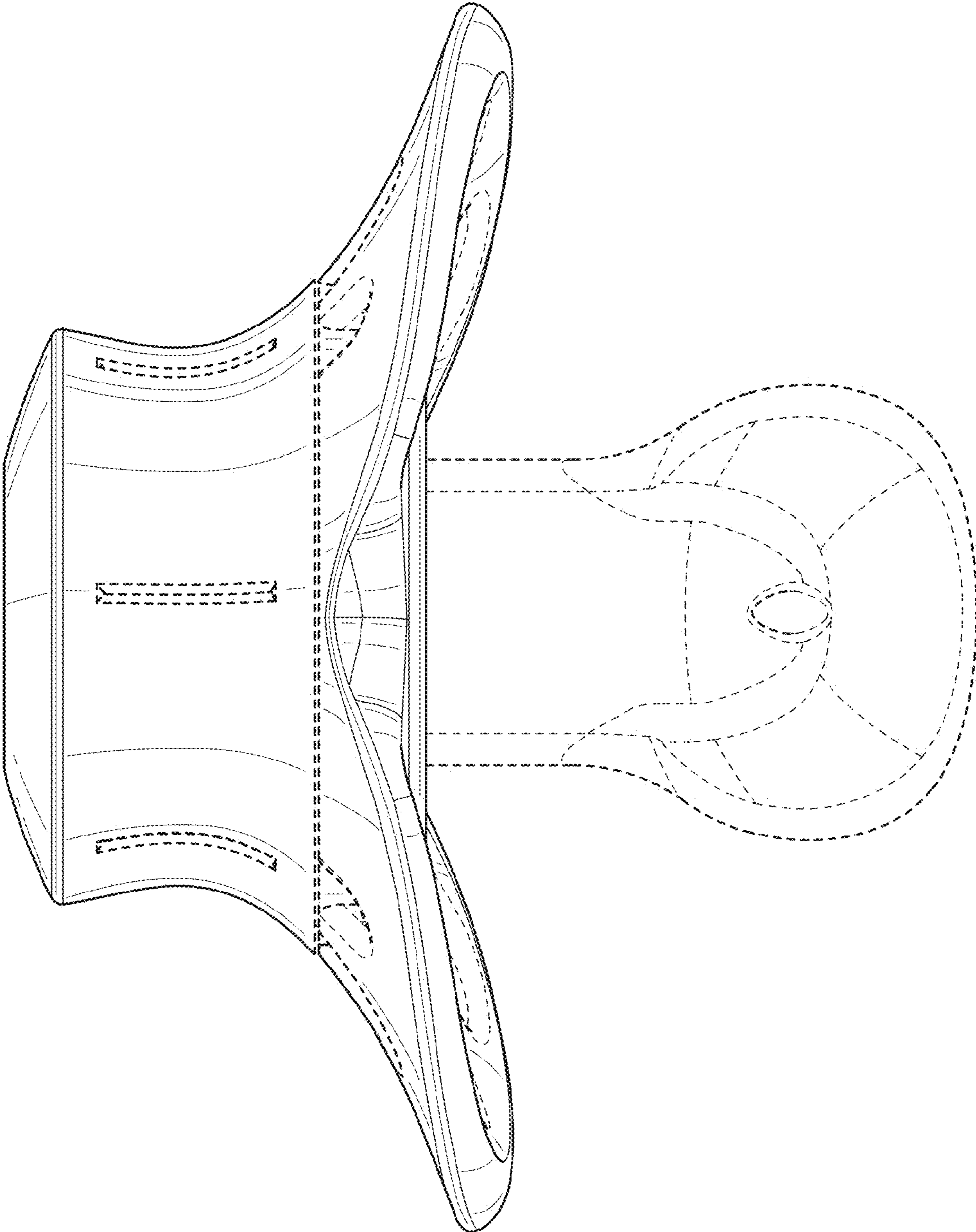


FIG. 10