

US00D966528S

(12) **United States Design Patent** (10) **Patent No.:** **US D966,528 S**
Xu (45) **Date of Patent:** **** Oct. 11, 2022**

(54) **WHEELCHAIR NURSING PAD**
(71) Applicant: **KEASY (XIAMEN) TECHNOLOGY CO., LTD**, Xiamen (CN)
(72) Inventor: **Zhiyong Xu**, Putian (CN)
(73) Assignee: **KEASY (XIAMEN) TECHNOLOGY CO., LTD**, Xiamen (CN)

(**) Term: **15 Years**
(21) Appl. No.: **29/808,343**
(22) Filed: **Sep. 17, 2021**
(51) **LOC (13) Cl.** **24-02**
(52) **U.S. Cl.**
USPC **D24/184**
(58) **Field of Classification Search**
USPC D24/178, 183-185, 188, 190, 193, 202, D24/215; D6/595, 596, 604-606; D21/686-690, 694, 695, 803-809
CPC A47G 9/02; A47G 9/0207; A47G 9/0215; A47G 9/0284; A47G 9/0292; A47G 9/10; A47G 9/00; A47G 2009/001; A47G 2009/002; A47G 2009/003; A47G 2009/005; A47G 2009/006; A47C 20/021; A47C 20/023; A47C 16/00; A47C 7/021; A61F 2/6607; A61F 5/37; A61H 1/0218; A61G 7/1026

See application file for complete search history.

(56) **References Cited**

U.S. PATENT DOCUMENTS

640,534 A * 1/1900 Cheney A61F 7/02 607/114
D336,549 S * 6/1993 Stabile D29/119
D342,857 S * 1/1994 Mocur D6/601
D347,892 S * 6/1994 Gegelys D24/124
6,044,506 A * 4/2000 Valene A47C 27/088 5/655.5
D451,197 S * 11/2001 Jefferson D6/601
D477,076 S * 7/2003 Wall D24/125

D512,258 S * 12/2005 Colonello D6/601
D574,960 S * 8/2008 Parrish D24/184
D759,904 S * 6/2016 Cantwell D30/118
(Continued)

FOREIGN PATENT DOCUMENTS

CN 202130585733.7 * 12/2021

OTHER PUBLICATIONS

Invacare Seat Upholstery, 20 Inch Wide×16 Inch Deep, Embossed, Black. Online, published date unknown. Retrieved on Aug. 18, 2022 from URL: https://www.ebay.com/itm/325159031775?hash=item4bb4fd13df:g:hWEAAOSwpP9Y6~DE&amdata=enc%3AAQA HAAAA0E4Mns2RhvwDMOTCAtxCAudXhvBDfhWSvXXC3Po uurlClhqGqrMmHhj6kzhJnfuxL53cGffwtFSc4tn.*

Primary Examiner — Omeed Agilee

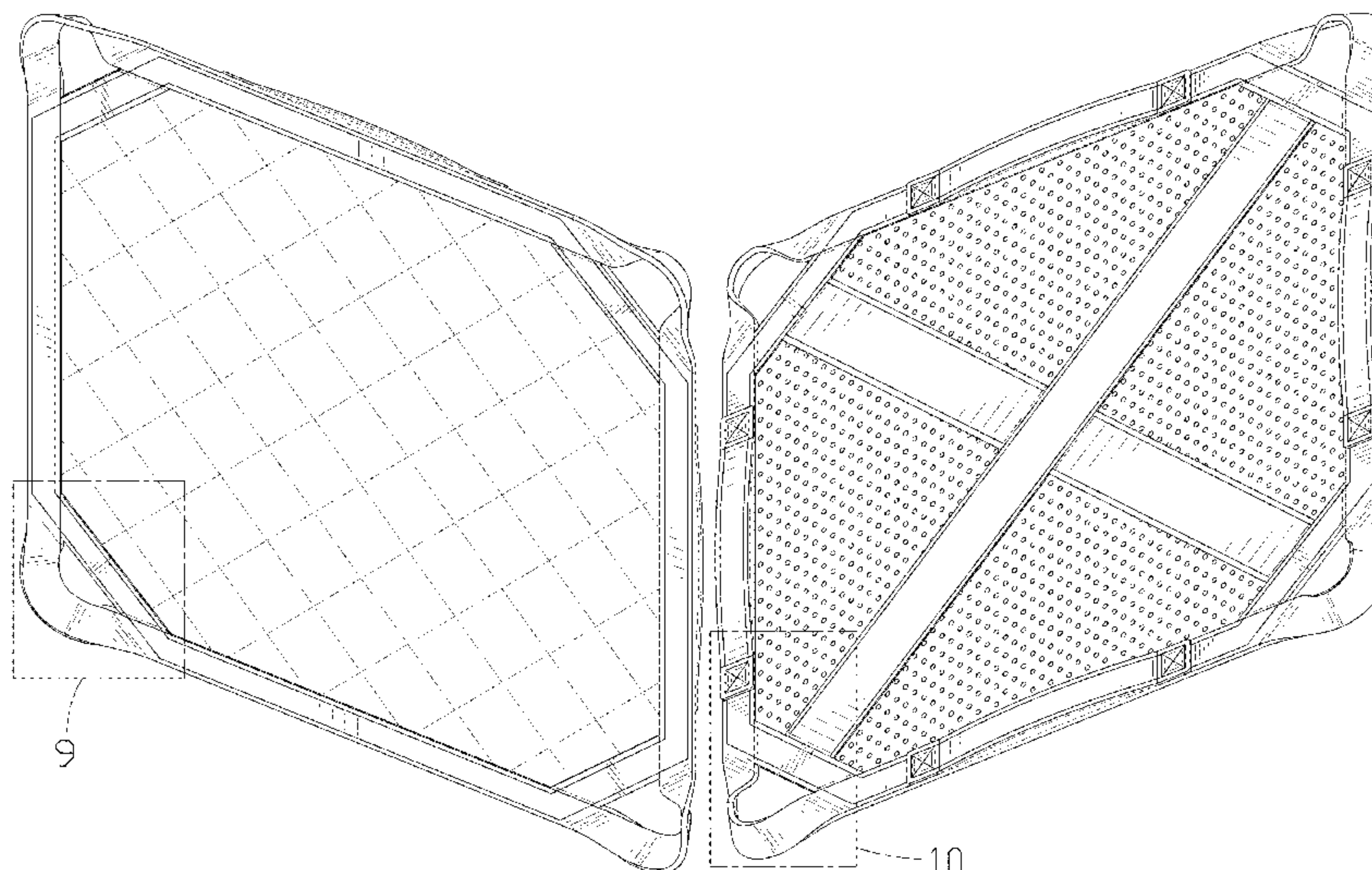
(57) **CLAIM**

The ornamental design for a wheelchair nursing pad, as shown and described.

DESCRIPTION

FIG. 1 is a perspective view of a wheelchair nursing pad showing my new design; FIG. 2 is another perspective view thereof; FIG. 3 is a front elevational view thereof; FIG. 4 is a rear elevational view thereof; FIG. 5 is a left side elevational view thereof; FIG. 6 is a right side elevational view thereof; FIG. 7 is a top plan view thereof; FIG. 8 is a bottom plan view thereof; FIG. 9 is an enlarged view of portion 9 shown in FIG. 1; and, FIG. 10 is an enlarged view of portion 10 shown in FIG. 2. The dash-dash broken lines in the drawings depict portions of the wheelchair nursing pad that form no part of the claimed design. The dot-dash broken lines represent boundaries of the enlarged portions and form no part of the claimed design.

1 Claim, 10 Drawing Sheets



(56)

References Cited

U.S. PATENT DOCUMENTS

D777,332 S * 1/2017 Li D24/189
D785,169 S 4/2017 Matsutori et al.
D785,787 S 5/2017 Matsutori et al.
10,925,784 B1 * 2/2021 Abuhanda A61G 5/122
11,253,412 B1 * 2/2022 Xu B32B 5/26
D956,238 S * 6/2022 Squitieri D24/171
D959,671 S * 8/2022 Xu D24/183
2017/0196381 A1 * 7/2017 Lucas A47G 9/06

* cited by examiner

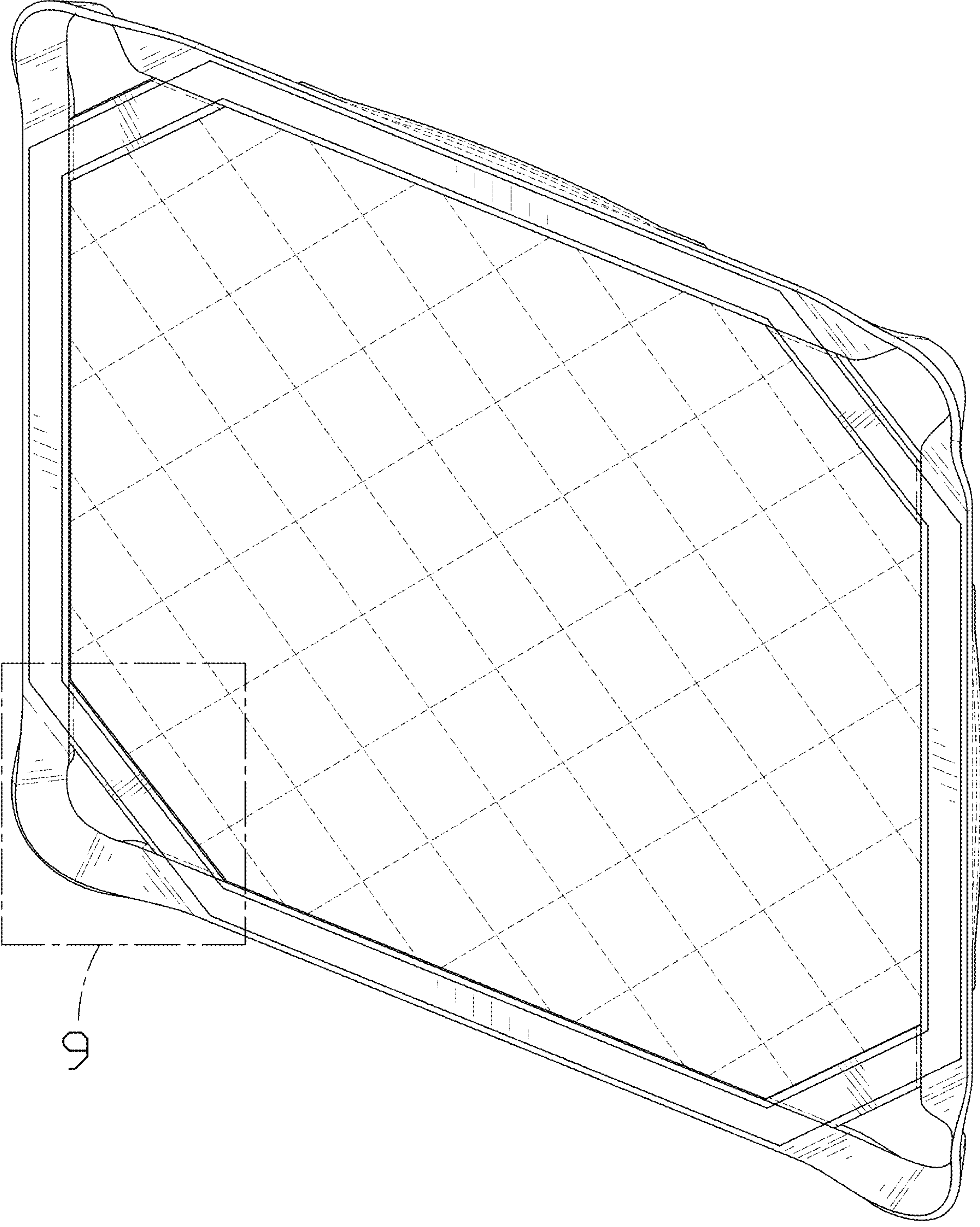


FIG. 1

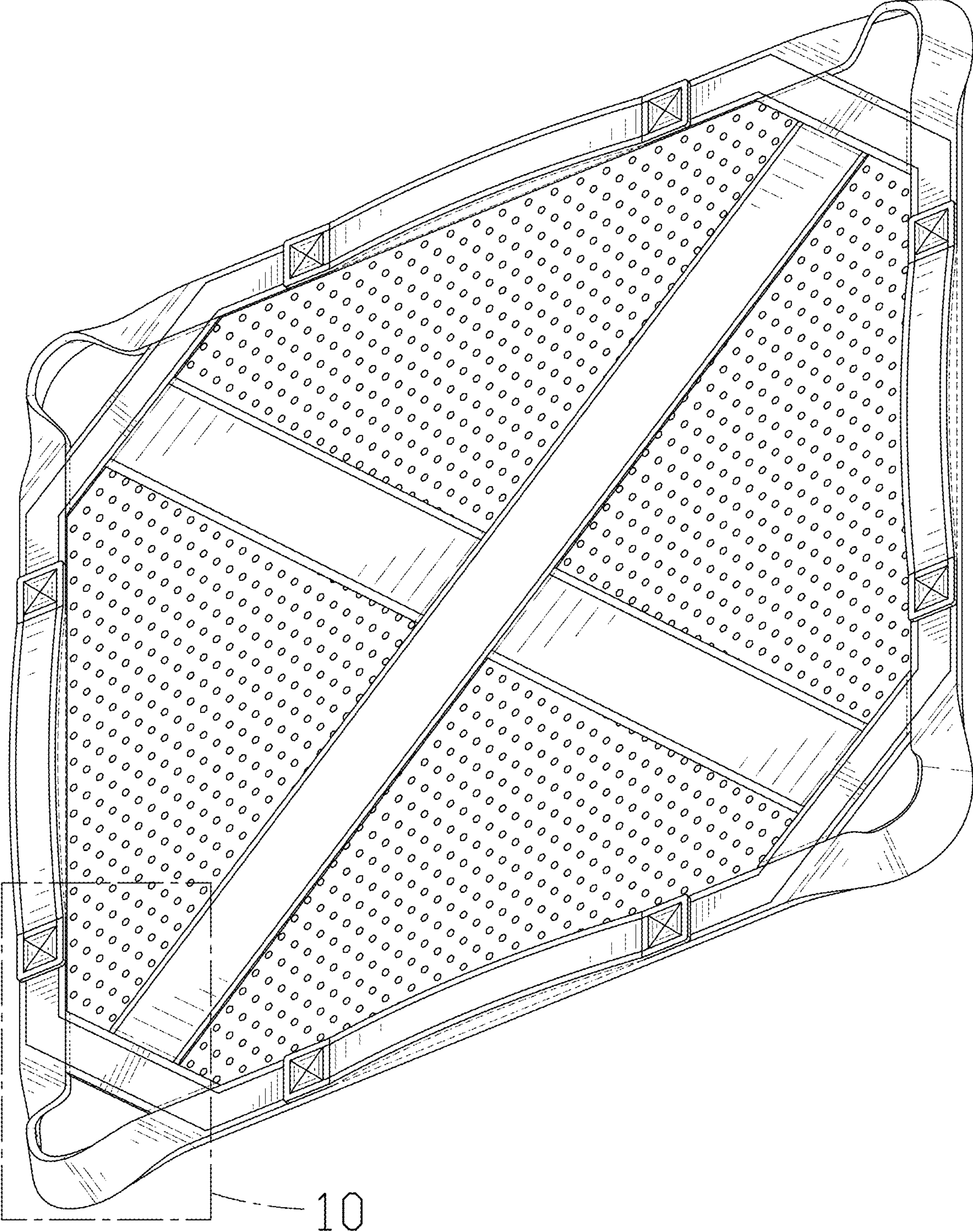


FIG. 2

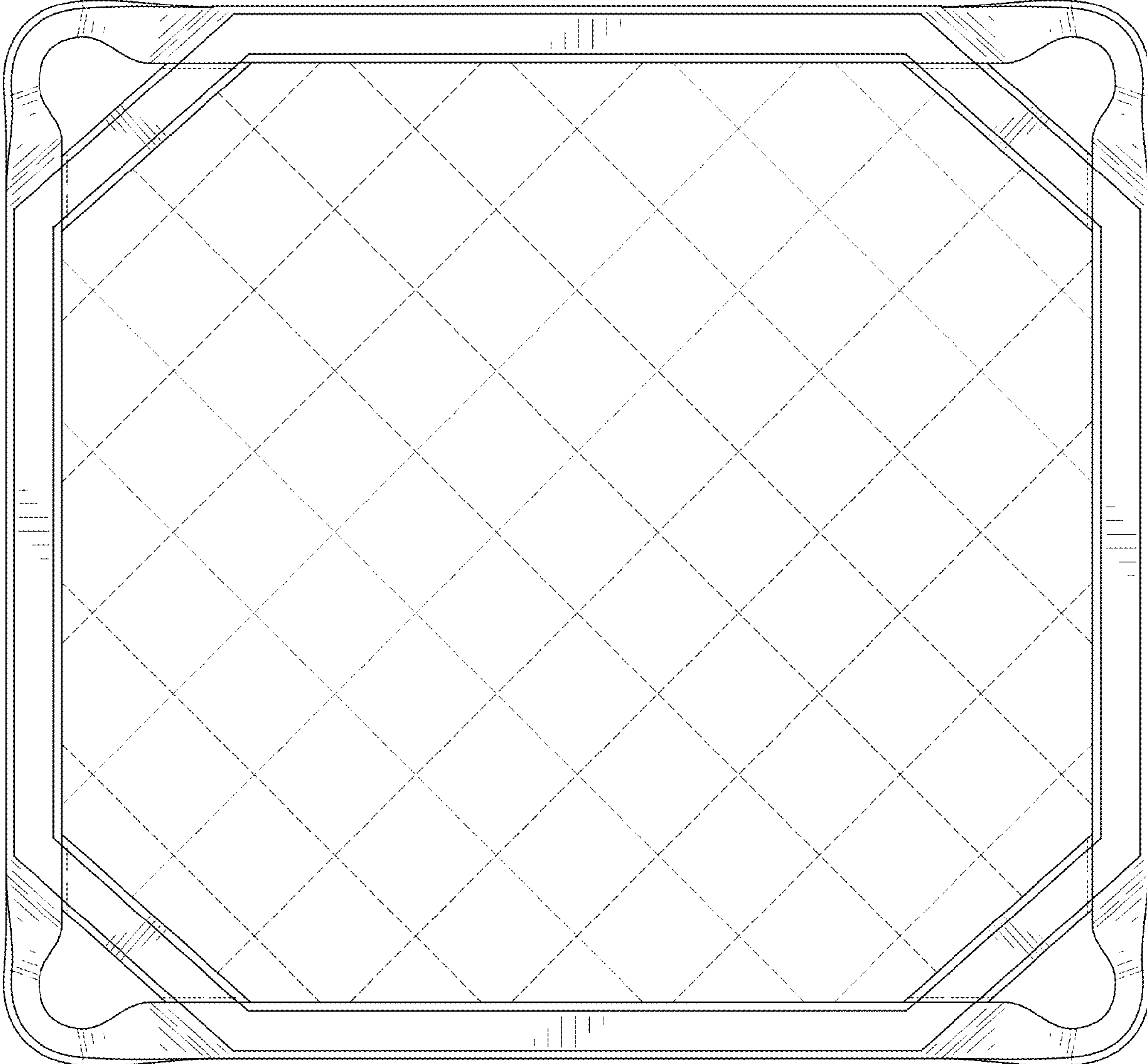


FIG. 3

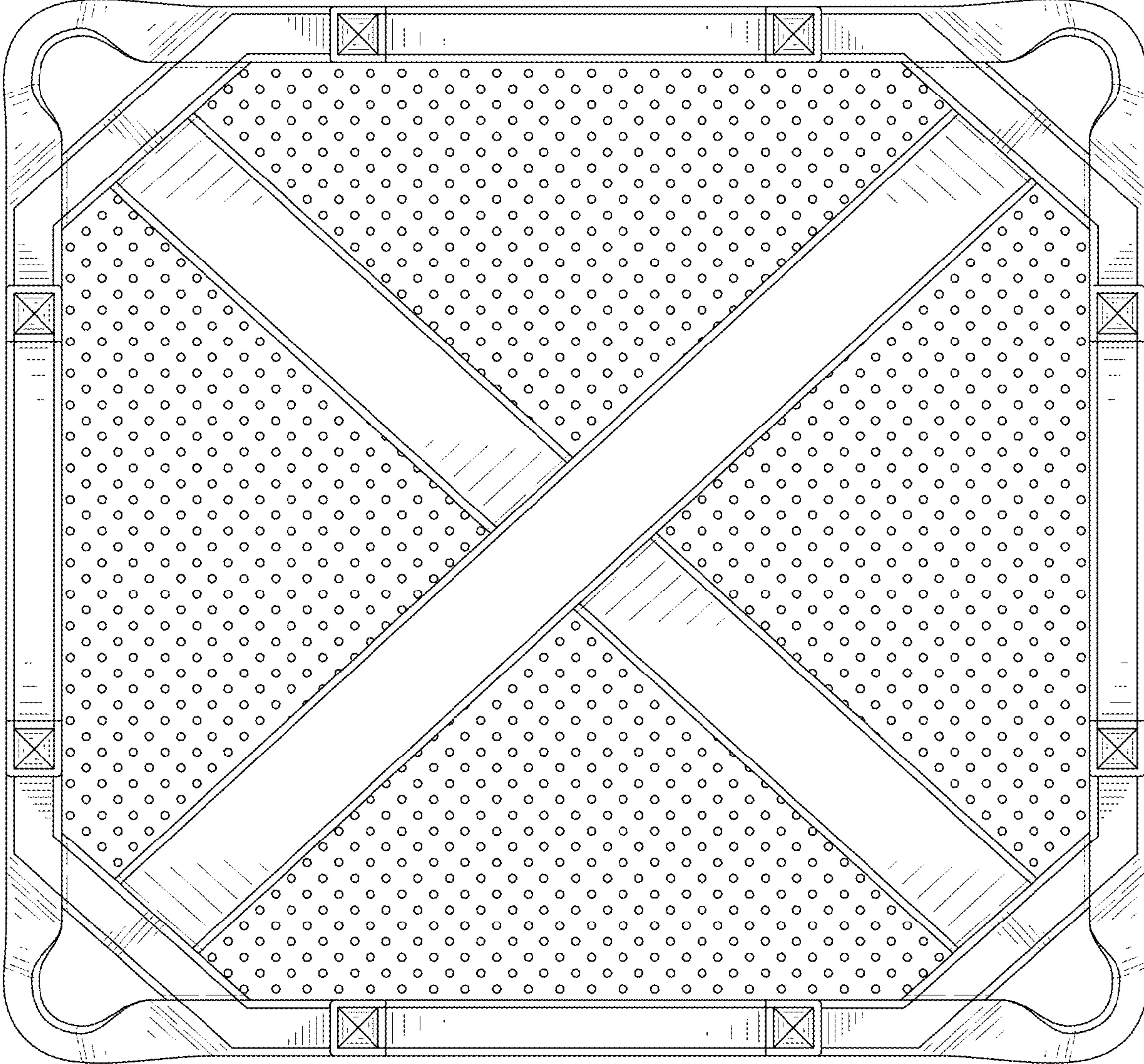


FIG. 4

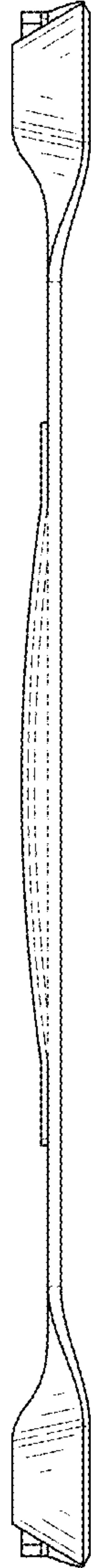


FIG. 5

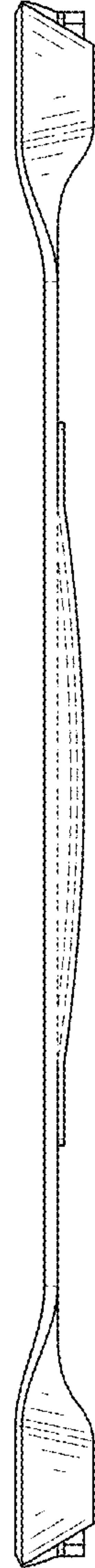


FIG. 6

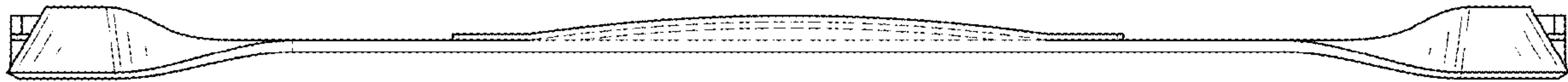


FIG. 7

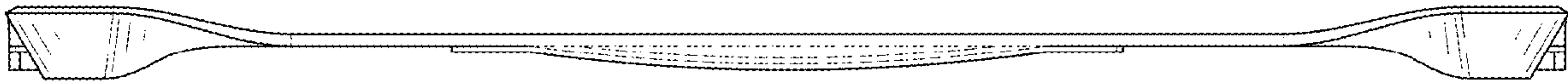


FIG. 8

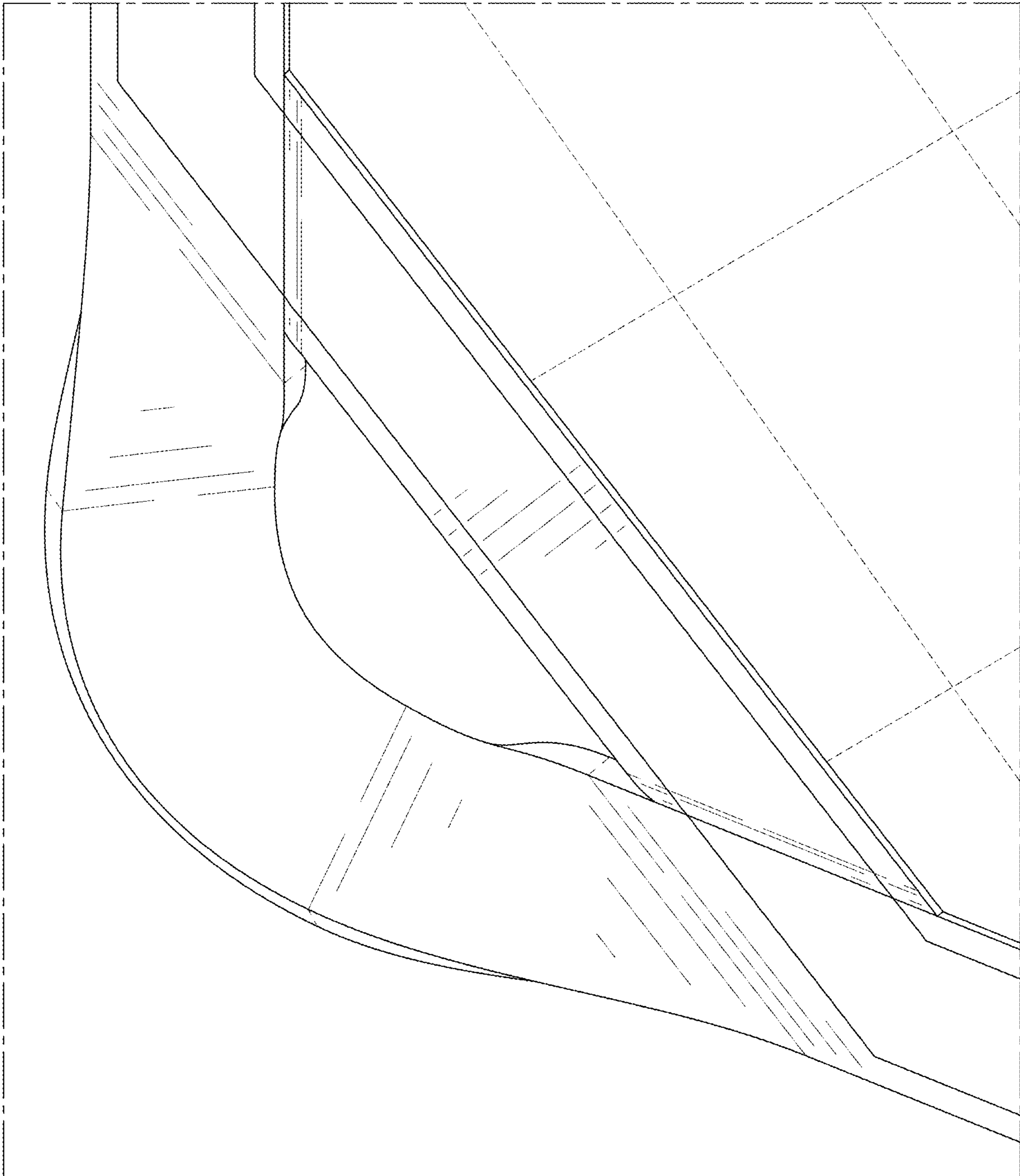


FIG. 9

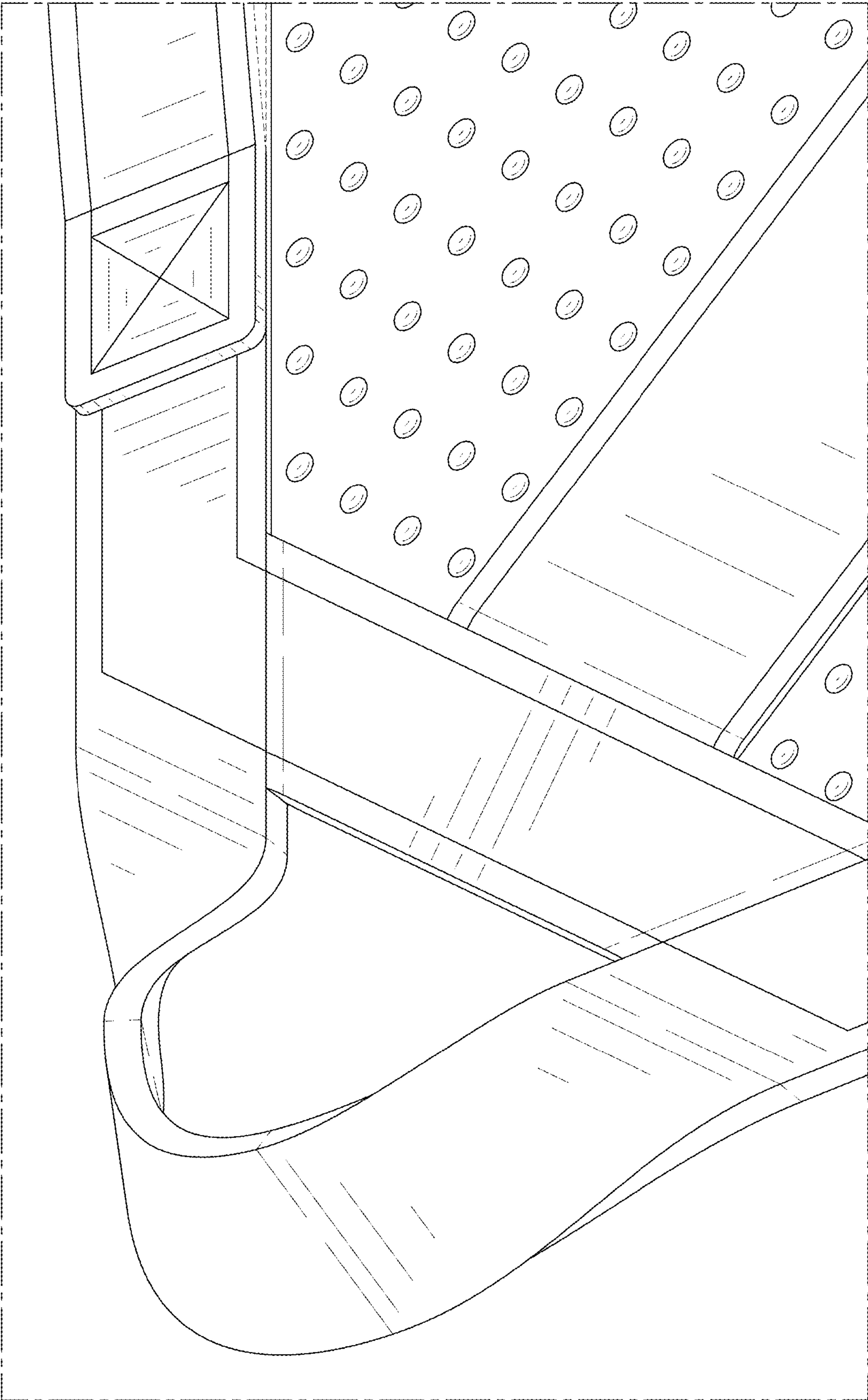


FIG. 10