



US00D966527S

(12) **United States Design Patent** (10) **Patent No.:** **US D966,527 S**
Romano et al. (45) **Date of Patent:** **** Oct. 11, 2022**

(54) **ARMREST FOR MEDICAL EXAMINATION TABLE**

5,586,363 A 12/1996 Fanuzzi
5,689,999 A 11/1997 Wiley et al.
5,839,136 A 11/1998 Vance et al.

(71) Applicant: **United Metal Fabricators, Inc.**,
Johnstown, PA (US)

(Continued)

(72) Inventors: **Joseph Romano**, Johnstown, PA (US);
Quinn Carpenter, Johnstown, PA (US);
Justin John Adleff, Gibsonia, PA (US);
Marvin Church, Apollo, PA (US);
Grégoire Bernard Aby-Eva,
Pittsburgh, PA (US)

OTHER PUBLICATIONS

High-Low Exam Table 6501 by Brewer Access. Online, published date unknown. Retrieved on Aug. 31, 2021 from URL: <https://www.rehabmart.com/post/top-5-medical-exam-and-treatment-tables>.*

(Continued)

(73) Assignee: **United Metal Fabricators, Inc.**,
Johnstown, PA (US)

Primary Examiner — Omeed Agilee

(74) *Attorney, Agent, or Firm* — Metz Lewis Brodman
Must O'Keefe LLC

(**) Term: **15 Years**

(57) **CLAIM**

(21) Appl. No.: **29/752,853**

The ornamental design for an armrest for medical examination table, as shown and described.

(22) Filed: **Sep. 29, 2020**

DESCRIPTION

Related U.S. Application Data

(62) Division of application No. 29/658,120, filed on Jul. 27, 2018, now Pat. No. Des. 901,693.

(51) **LOC (13) Cl.** **24-02**

(52) **U.S. Cl.**
USPC **D24/184**

(58) **Field of Classification Search**
USPC D24/159, 183-184, 200; D6/429,
D6/595-596, 601, 604, 605, 610, 716.2,
D6/718, 718.3

CPC A61G 7/00; A61G 7/0507; A61G 13/107;
A61G 13/1235; A61G 5/125; B60N 2/77
See application file for complete search history.

FIG. 1 is a front side elevation view of an armrest for medical examination table of the present invention.

FIG. 2 is a back side elevation view of the armrest for medical examination table of FIG. 1.

FIG. 3 is an isometric view of the armrest for medical examination table of FIG. 1.

FIG. 4 is a top plan view of the armrest for medical examination table of FIG. 1.

FIG. 5 is a bottom plan view of the armrest for medical examination table of FIG. 1.

FIG. 6 is a right side elevation view of the armrest for medical examination table of FIG. 1; and,

FIG. 7 is a left side elevation of the armrest for medical examination table of FIG. 1.

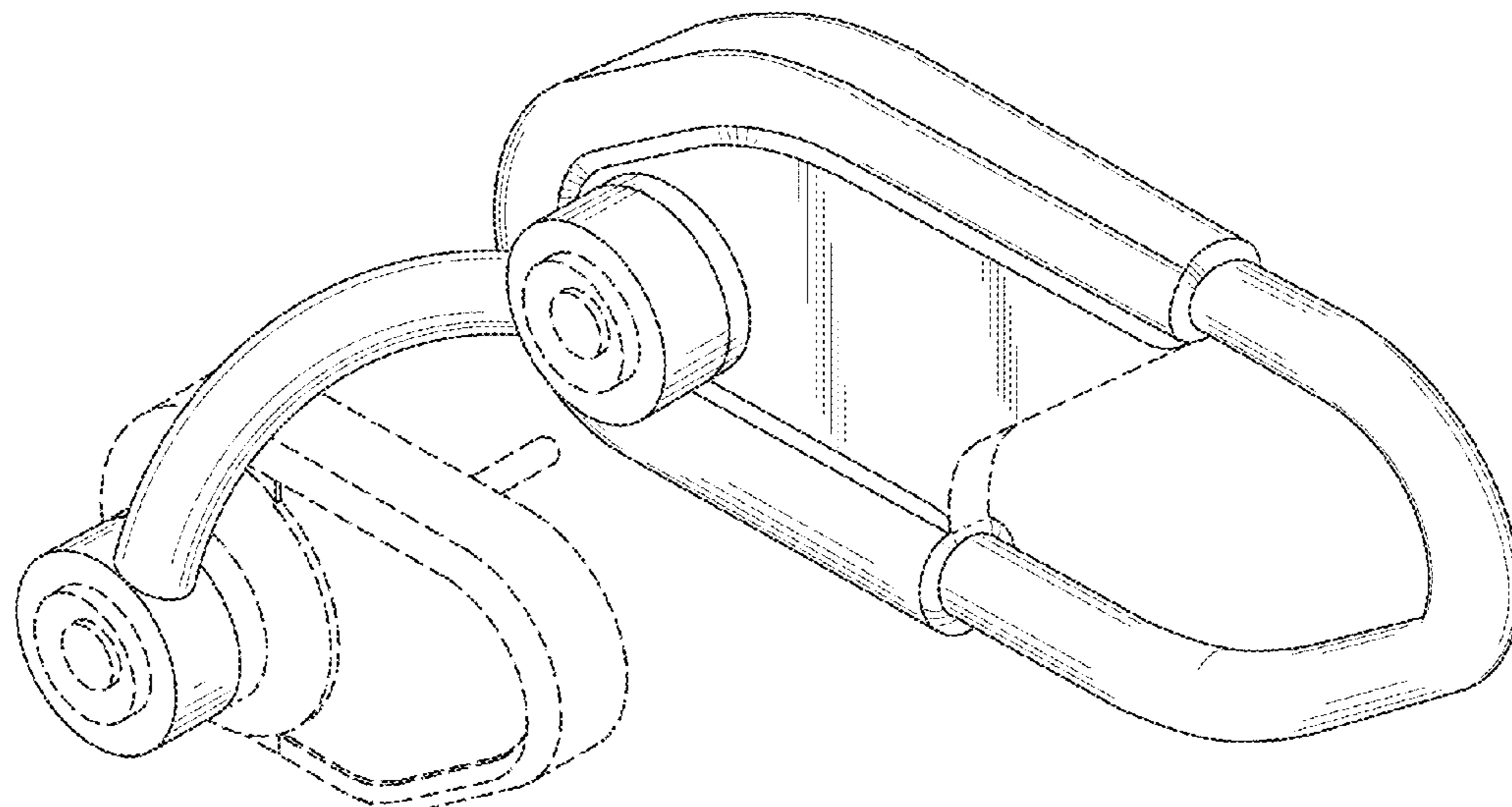
The dashed lines in the Figures are provided to show environmental structure and form no part of the claimed design. The dotted lines in the Figures are provided to show boundaries of the claimed design and form no part thereof.

(56) **References Cited**

U.S. PATENT DOCUMENTS

1,399,744 A 12/1921 Brophy
4,887,866 A 12/1989 Rusin
4,961,610 A 10/1990 Reeder et al.

1 Claim, 5 Drawing Sheets



(56)

References Cited

U.S. PATENT DOCUMENTS

D436,474 S 1/2001 Morren
 D468,140 S 1/2003 Tsai
 6,619,747 B2 9/2003 Ko et al.
 D538,074 S 3/2007 Chen
 D566,438 S 4/2008 Tsai
 7,757,318 B2 * 7/2010 Poulos A61G 7/0509
 5/624
 7,862,123 B2 1/2011 Baker et al.
 D652,356 S 1/2012 Lindloff
 8,480,172 B2 7/2013 Baker et al.
 D707,479 S 6/2014 Egger
 D710,509 S 8/2014 Leng
 D722,286 S * 2/2015 Da Cunha D12/133
 9,084,710 B2 7/2015 Paul et al.
 9,125,495 B2 9/2015 Baker et al.
 D765,562 S 9/2016 Dahlin
 D769,042 S * 10/2016 O'Neal D6/718.3
 D771,259 S 11/2016 Newkirk
 D774,342 S 12/2016 Egger
 D779,074 S 2/2017 Lane et al.
 9,782,319 B2 10/2017 Baker et al.
 9,867,469 B2 1/2018 Warren, Jr. et al.
 D817,682 S * 5/2018 O'Neal D6/718.3
 D819,382 S * 6/2018 O'Neal D6/718.3

D827,351 S 9/2018 Egger
 D848,002 S 5/2019 Simson
 D889,667 S * 7/2020 DeBord D24/184
 D897,140 S * 9/2020 Deng D6/716.2
 D901,693 S * 11/2020 Romano D24/184
 D919,346 S * 5/2021 Ye D6/716.2
 D925,957 S * 7/2021 Jacobsthal D6/716.2
 2006/0059621 A1 3/2006 Poulos
 2007/0205642 A1 9/2007 Bejin et al.
 2009/0229049 A1 * 9/2009 Heimbrock A61G 7/015
 5/425
 2021/0261029 A1 * 8/2021 Lee B60N 2/767

OTHER PUBLICATIONS

Midmark 626 Barrier-Free® Examination Chair brochure, Midmark Corporation, Dayton, Ohio, 2018 (7 pages).
 Standards for Accessible Medical Diagnostic Equipment, United States Access Board, 36 CFR Part 1195 (Jan. 9, 2017).
 Removable functional metal iron furniture sofa armrest mechanism. Online, published date unknown. Retrieved on Aug. 5, 2019 from URL: https://www.alibaba.com/product-detail/Removable-functional-metal-iron-furniture-sofa_62203221682.html?spm=a2700.7724857.normalList.53.4eb277a4VDZeVt.

* cited by examiner

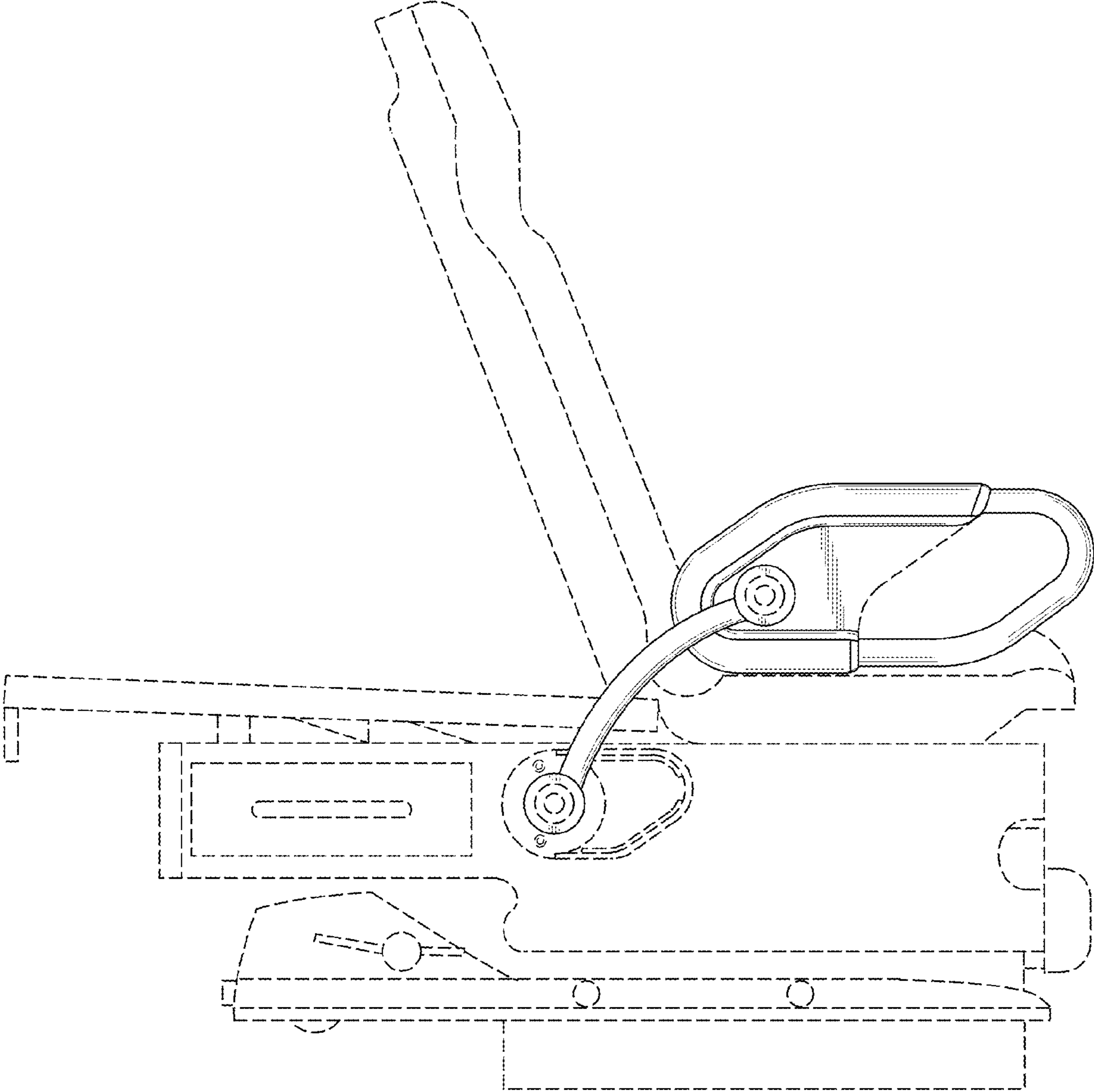


FIG. 1

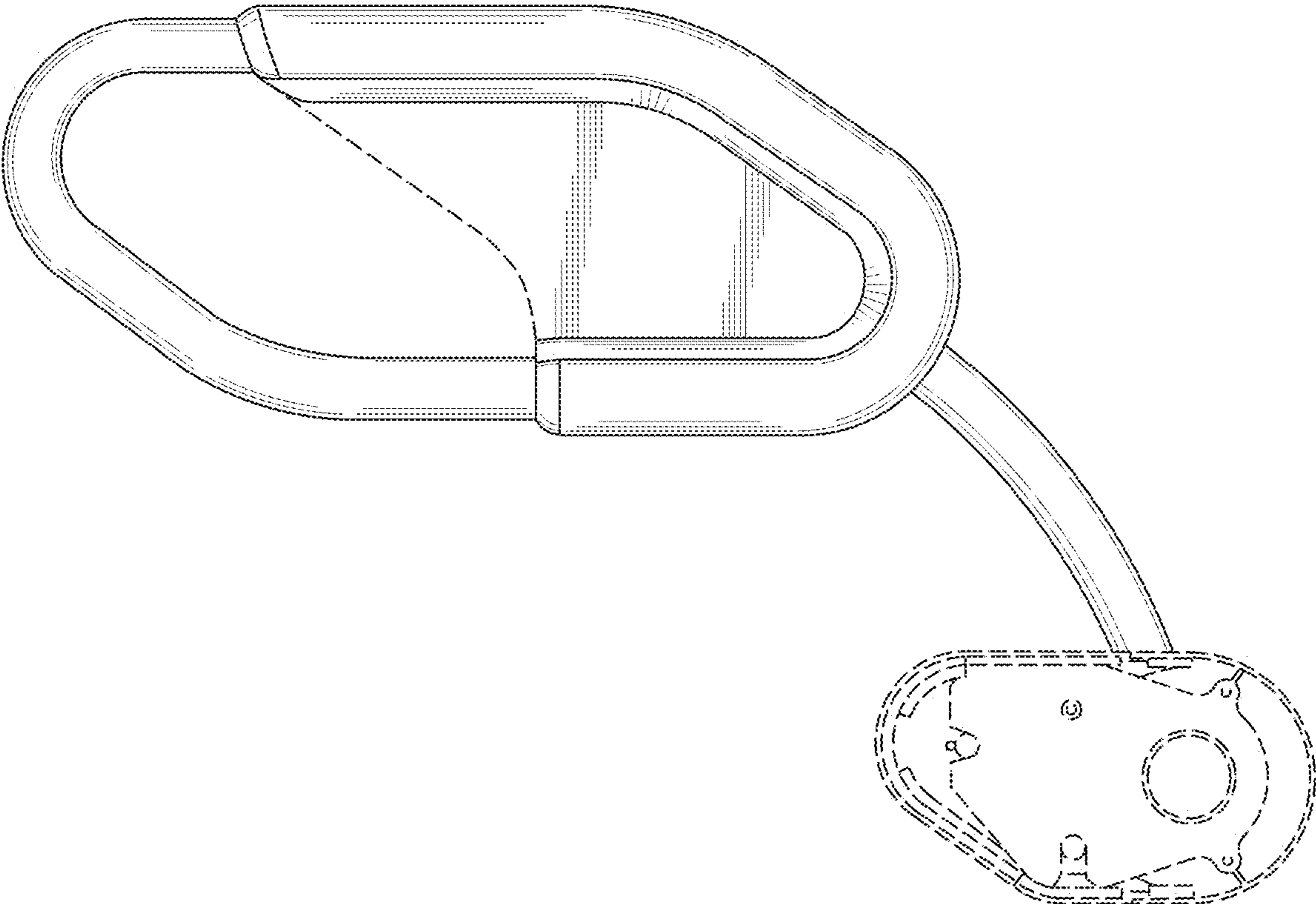


FIG. 2

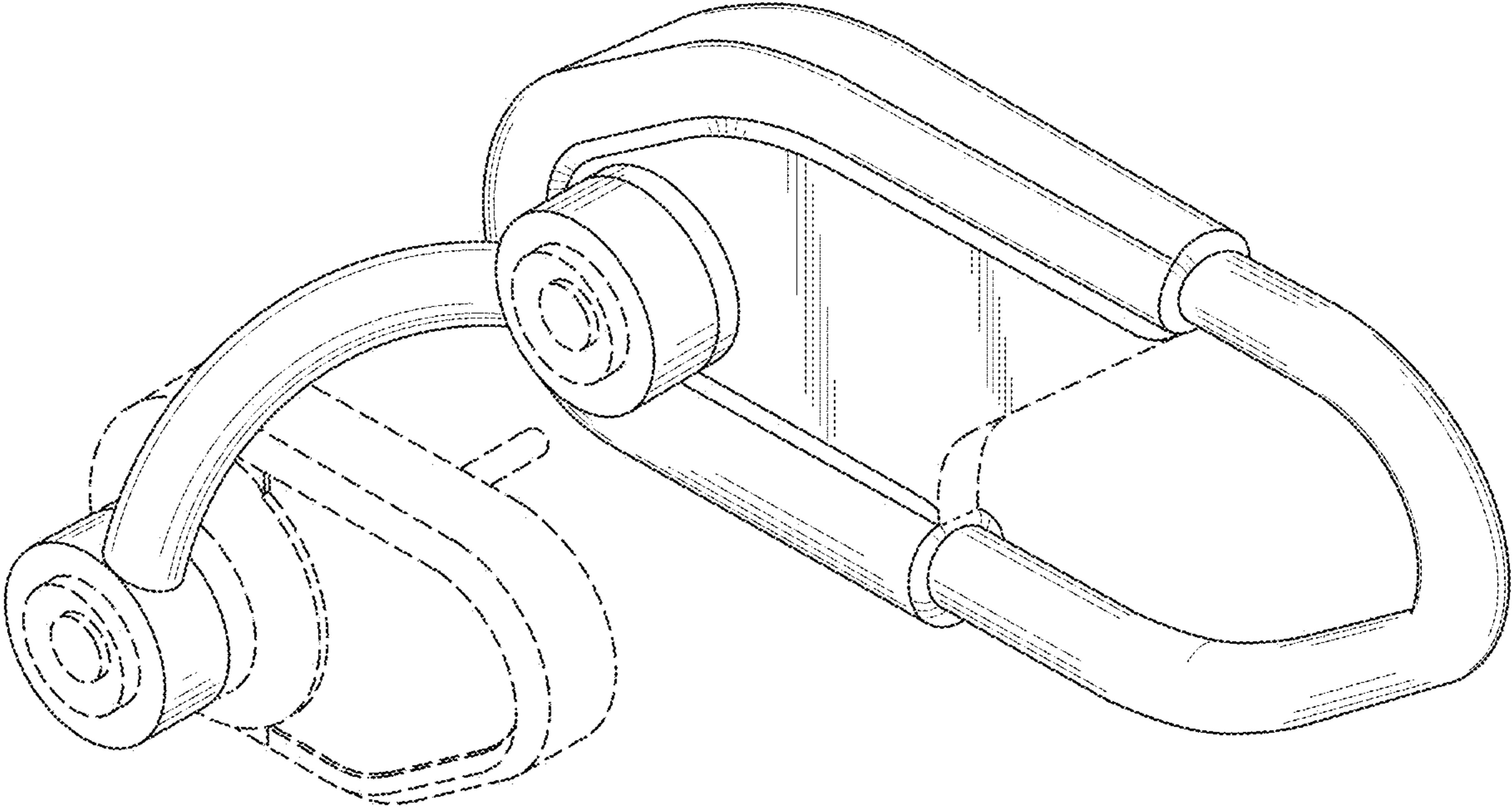


FIG. 3

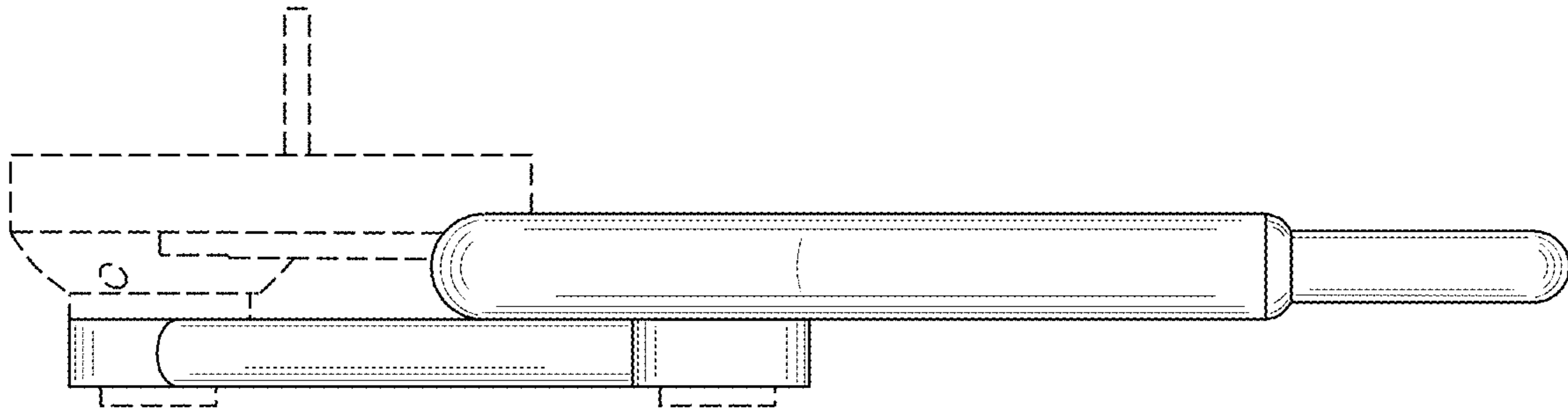


FIG. 4

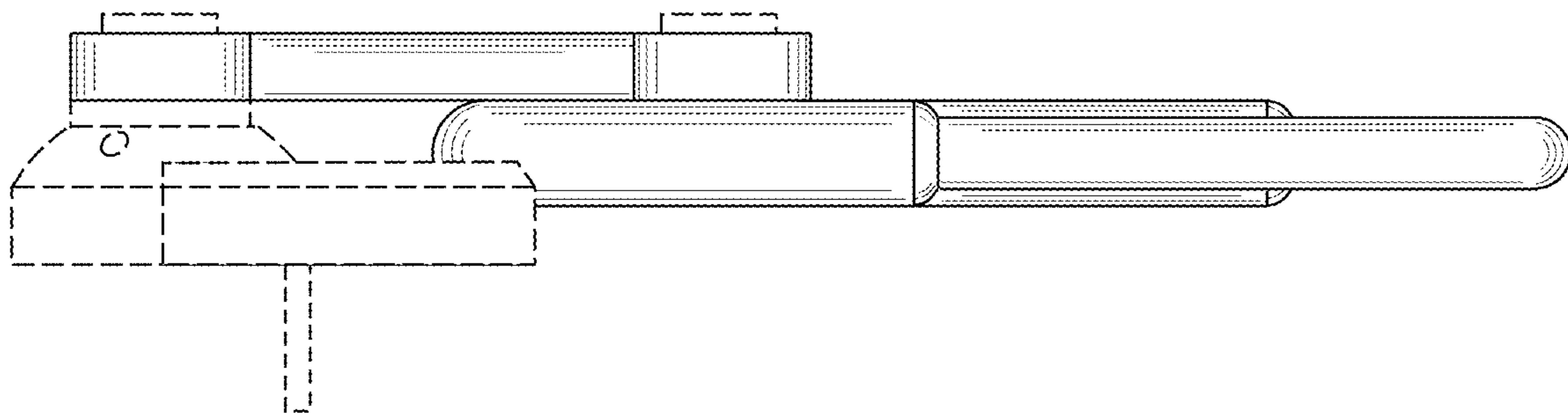


FIG. 5

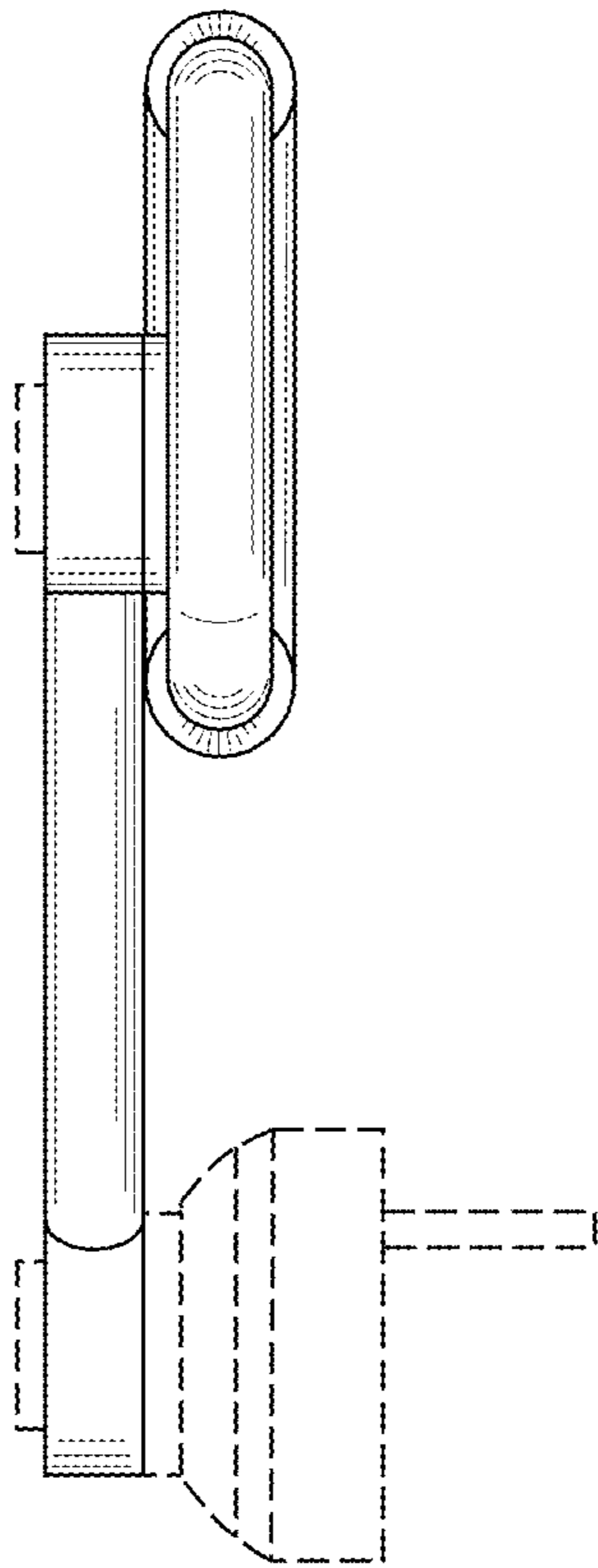


FIG. 6

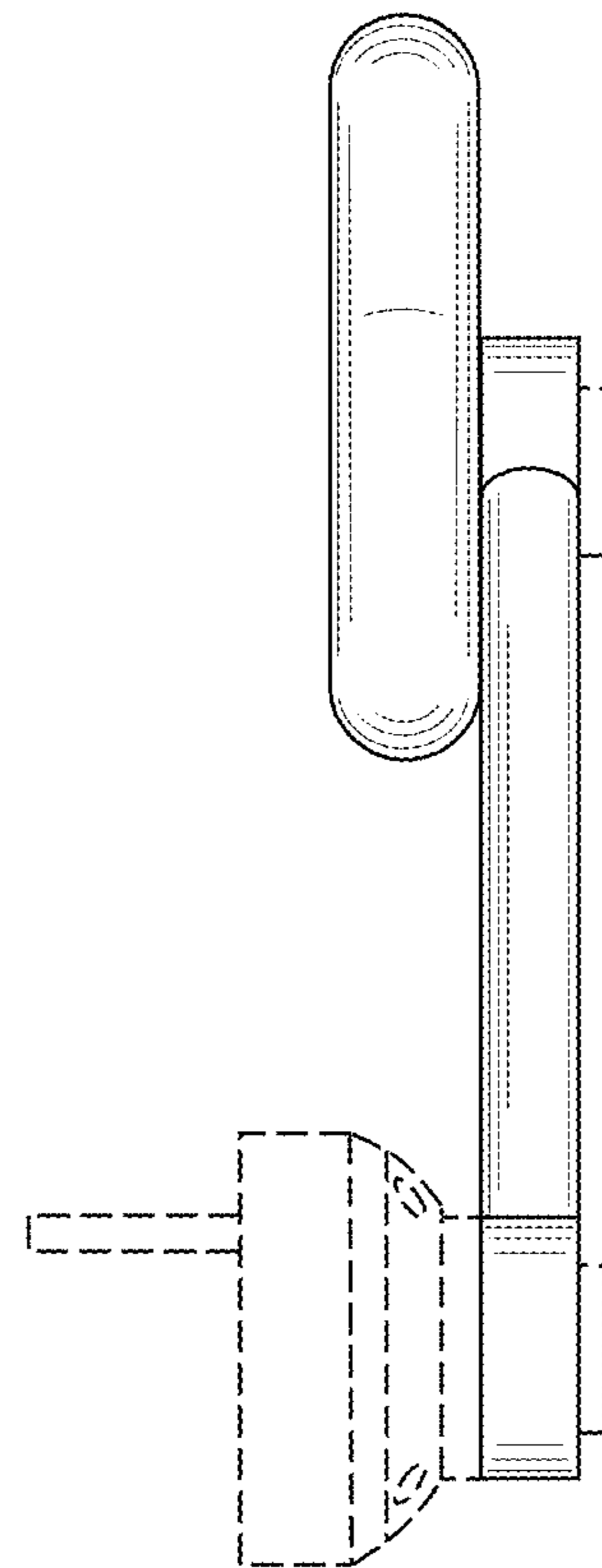


FIG. 7