



US00D966526S

(12) **United States Design Patent**
Kim

(10) **Patent No.:** **US D966,526 S**
(45) **Date of Patent:** **** Oct. 11, 2022**

(54) **PATIENT TRANSFER MAT**

- (71) Applicant: **Golden hour Inc.**, Cheongju-si (KR)
- (72) Inventor: **Dae Jong Kim**, Cheongju-si (KR)
- (73) Assignee: **GOLDEN HOUR INC.**, Cheongju-si (KR)

(**) Term: **15 Years**

(21) Appl. No.: **29/762,576**

(22) Filed: **Dec. 17, 2020**

(30) **Foreign Application Priority Data**

Dec. 2, 2020 (KR) 30-2020-0059189

(51) **LOC (13) Cl.** **24-02**

(52) **U.S. Cl.**
USPC **D24/183**

(58) **Field of Classification Search**
USPC D24/107, 158–161, 171, 183–184, 188,
D24/190–191, 200, 201, 211, 215;
D6/336–337, 382, 383, 384, 392, 393,
D6/595–603, 606; D12/133
CPC A61G 7/1028; A61G 1/048; A61G 7/1021;
A61G 7/1026; A61B 46/00
See application file for complete search history.

(56) **References Cited**

U.S. PATENT DOCUMENTS

D247,307	S	*	2/1978	Johansson	D6/390
4,584,729	A	*	4/1986	Roberts	A61G 1/01 5/628
5,826,583	A	*	10/1998	Wood	A61G 7/05753 128/869
D421,413	S	*	3/2000	Calkin	B62B 15/007 D24/183
D691,832	S	*	10/2013	Gil Gomez	D6/606
D853,677	S	*	7/2019	Kendall	D99/1
2008/0168603	A1	*	7/2008	Ayette	A61G 1/044 5/628

(Continued)

OTHER PUBLICATIONS

REMOV™ Patient Transfer Mats. Online, published date unknown. Retrieved on Mar. 29, 2022 from URL: <https://www.s2s-global.com/product/remuv-patient-transfer-mats/>.*

Primary Examiner — Omeed Agilee

(74) *Attorney, Agent, or Firm* — Cantor Colburn LLP

(57) **CLAIM**

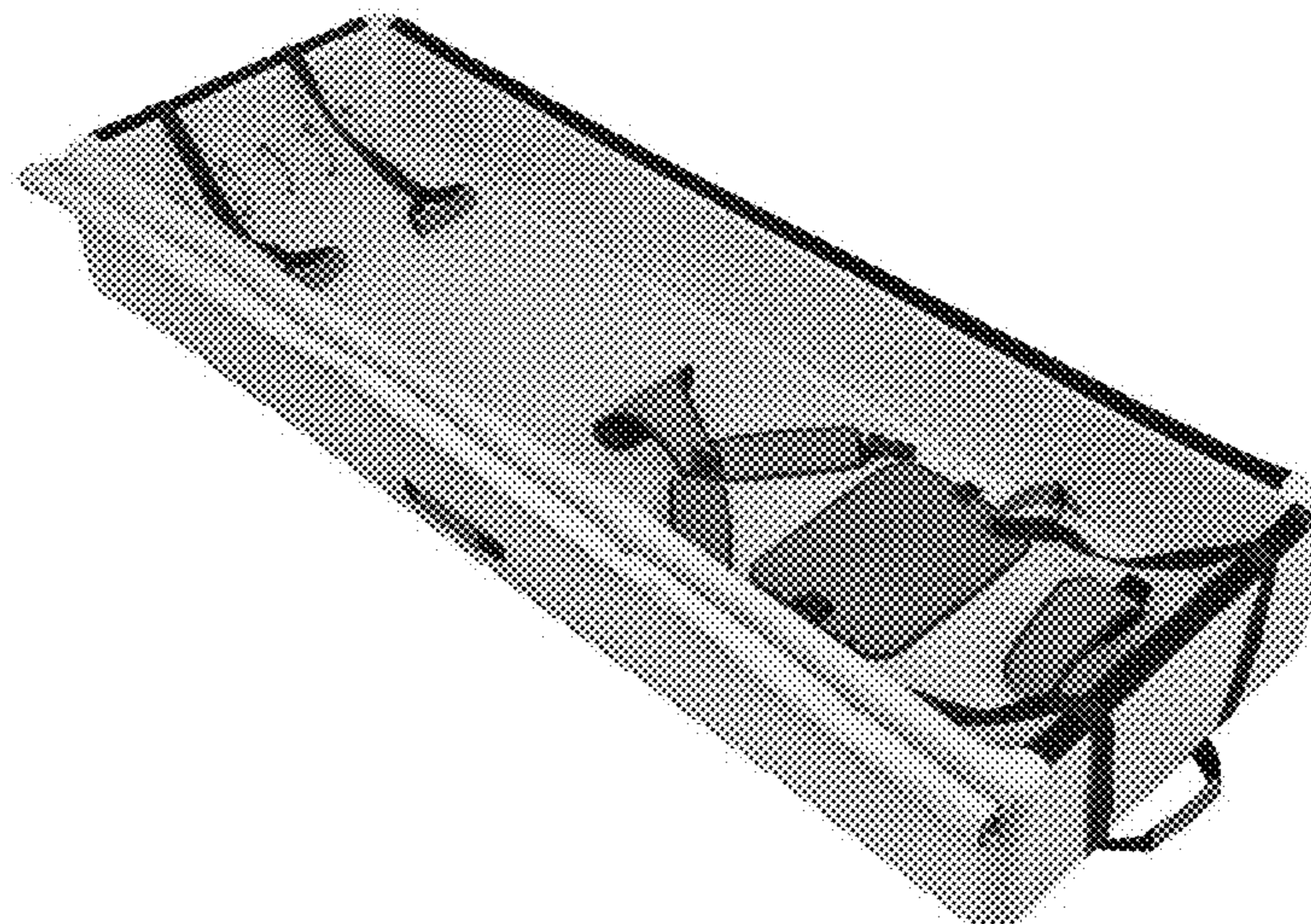
The ornamental design for a patient transfer mat, as shown and described.

DESCRIPTION

The file of this patent contains at least one drawing executed in color. Copies of this patent with color drawing(s) will be provided by the Office upon request and payment of the necessary fee.

FIG. 1 is a top-front-right side perspective view of a patient transfer mat showing my new design;
 FIG. 2 is a top-rear-right side perspective view thereof;
 FIG. 3 is a bottom-rear-left side perspective view thereof;
 FIG. 4 is a front elevational view thereof;
 FIG. 5 is a rear elevational view thereof;
 FIG. 6 is a left side elevational view thereof;
 FIG. 7 is a right side elevational view thereof;
 FIG. 8 is a top plan view thereof;
 FIG. 9 is a bottom plan view thereof;
 FIG. 10 is a perspective view thereof where the cover part is unfolded to cover the body mat part and one side traction straps are stretched to the outside of the body mat part or the side pad parts;
 FIG. 11 is a perspective view thereof where the cover part is unfolded close to the body mat part or the side pad parts; and,
 FIG. 12 is a perspective view thereof showing the patient transfer mat in a fully folded configuration.

1 Claim, 9 Drawing Sheets
(9 of 9 Drawing Sheet(s) Filed in Color)



(56)

References Cited

U.S. PATENT DOCUMENTS

2014/0082844 A1* 3/2014 Bertsch A61G 1/013
89/36.01
2016/0367422 A1* 12/2016 Weedling A61G 7/1023
2017/0266067 A1* 9/2017 Holland A61G 1/003
2018/0303690 A1* 10/2018 Hahn A61G 7/05715
2019/0091086 A1* 3/2019 Emerson A61G 7/1026
2019/0314233 A1* 10/2019 Schiro A61G 7/00
2020/0360203 A1* 11/2020 Cable A61F 5/3769

* cited by examiner

FIG. 1

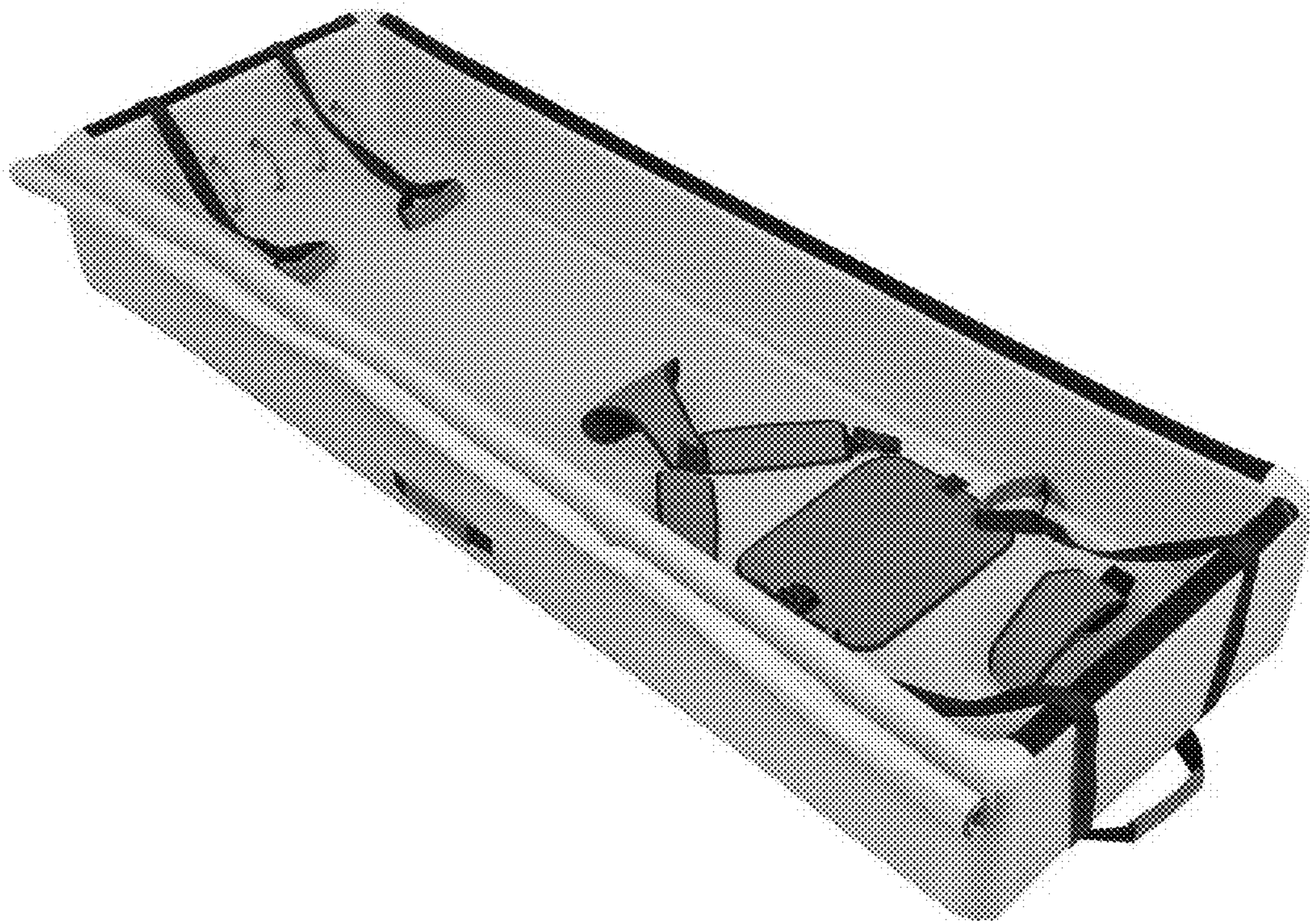


FIG. 2



FIG. 3



FIG. 4

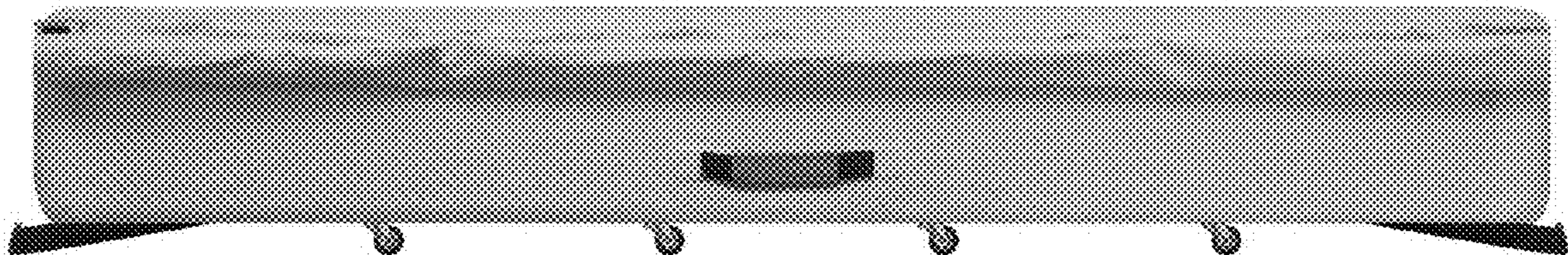


FIG. 5

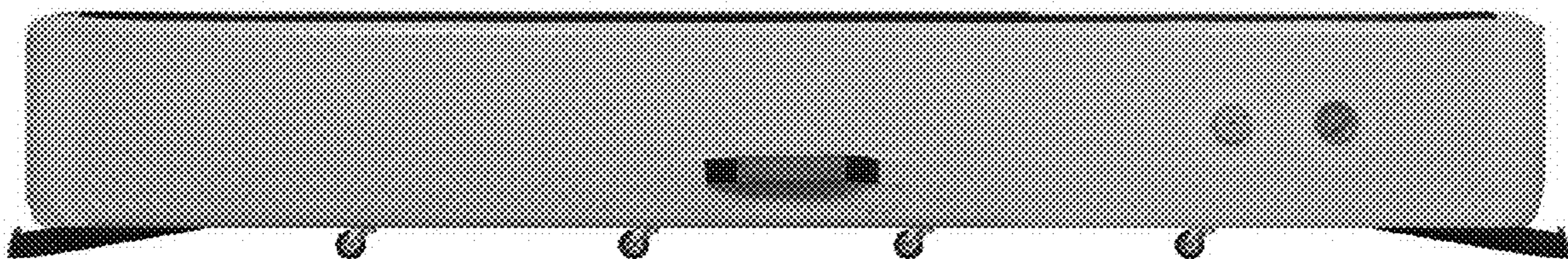


FIG. 6

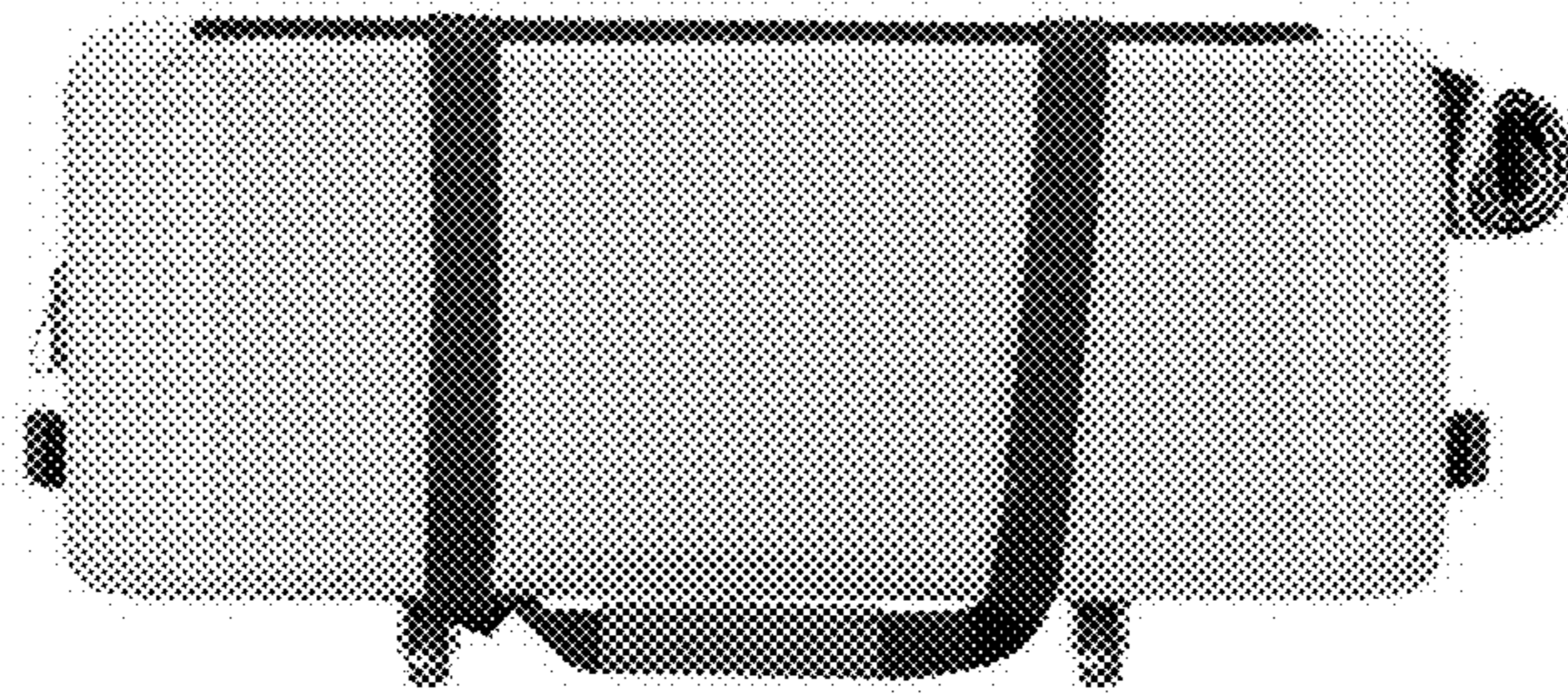


FIG. 7

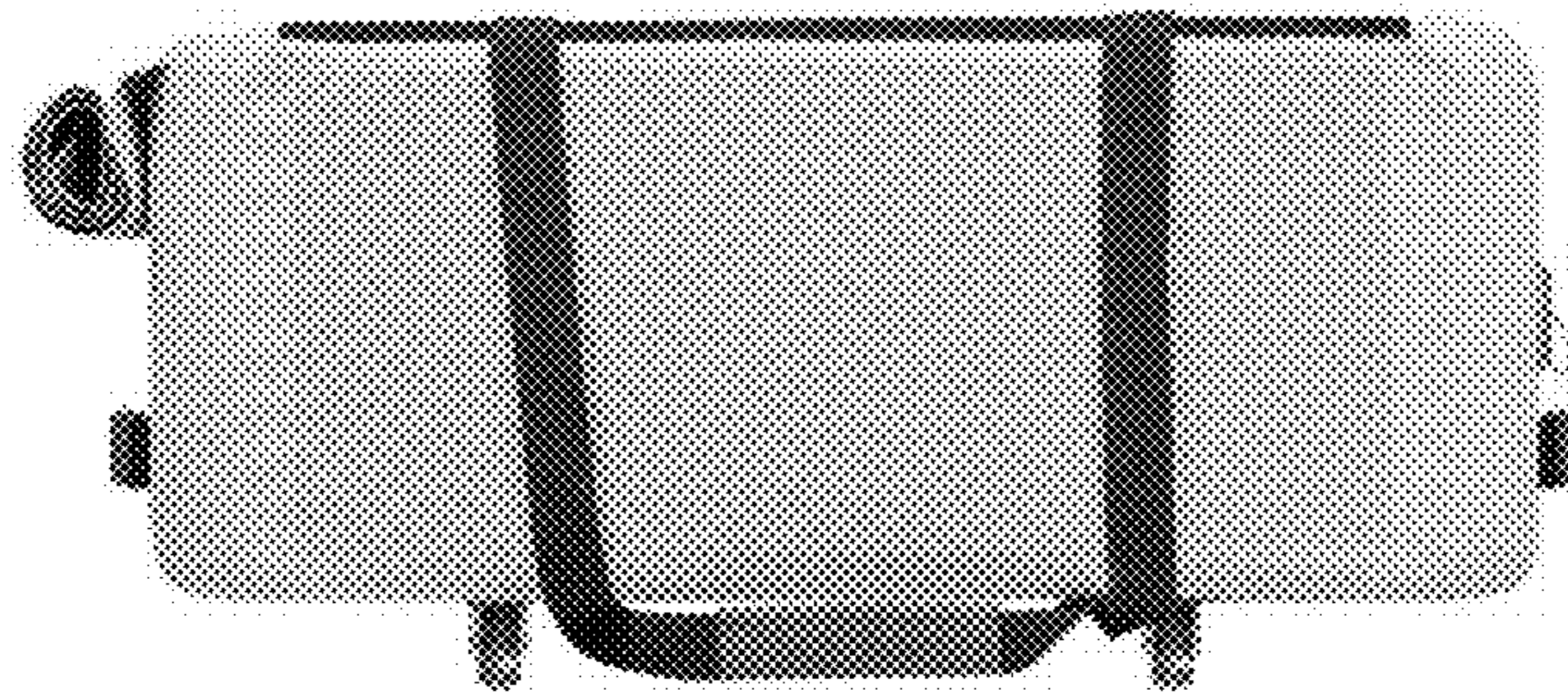


FIG. 8

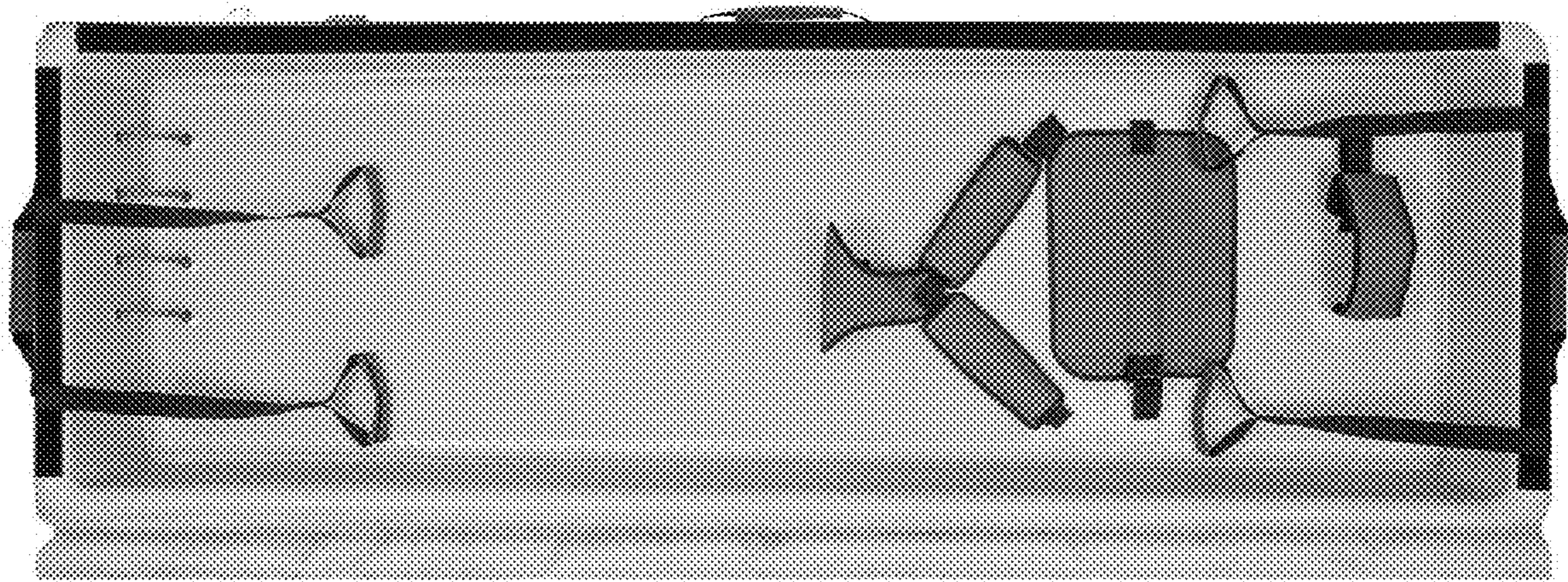


FIG. 9

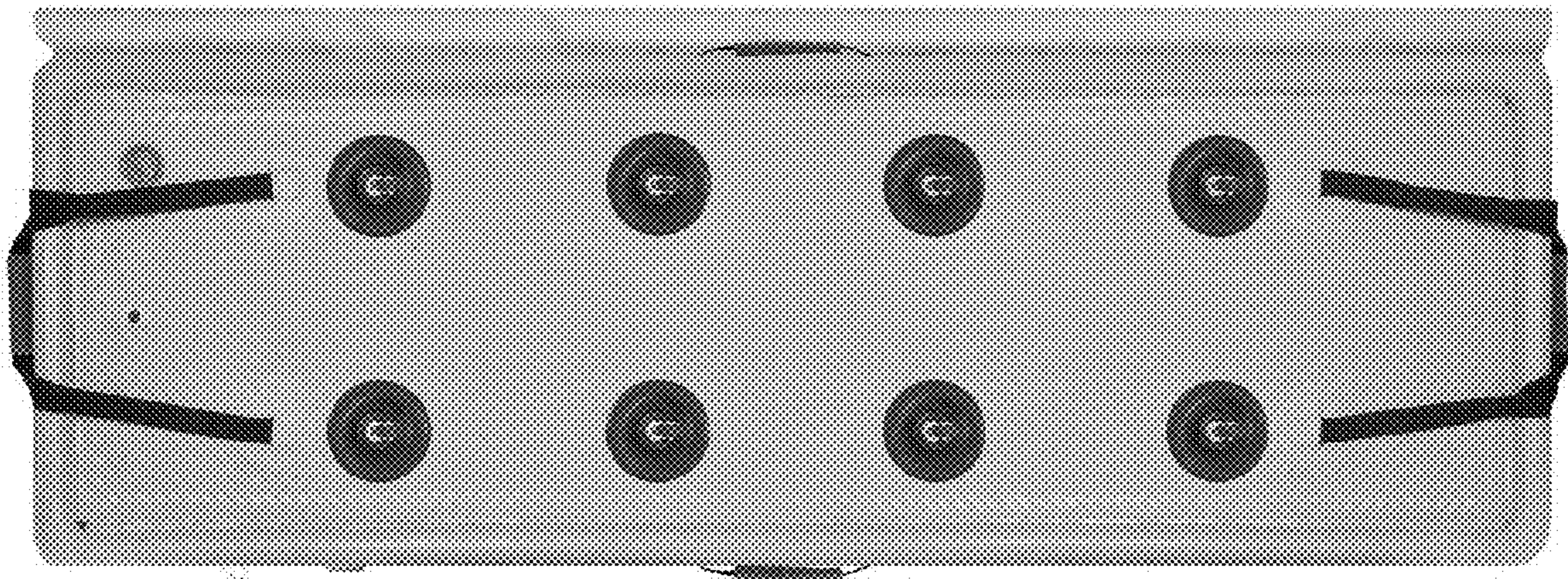


FIG. 10

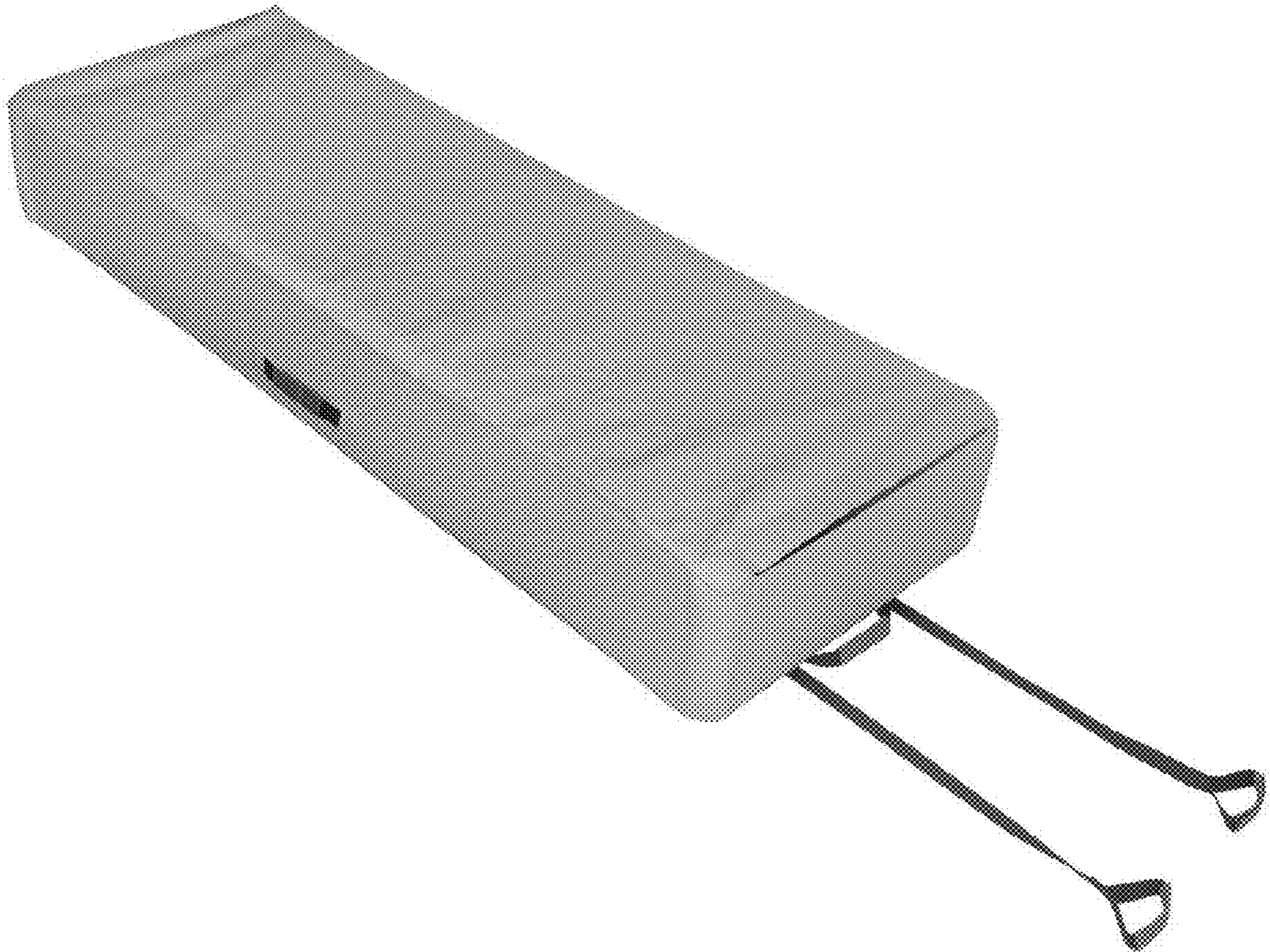


FIG. 11



FIG. 12

