

US00D966525S

(12) **United States Design Patent**  
**Lesser**

(10) **Patent No.:** **US D966,525 S**

(45) **Date of Patent:** **\*\* Oct. 11, 2022**

(54) **DENTAL POSTERIOR MATRIX**

(71) Applicant: **Robyn B. Lesser**, Clearwater, FL (US)

(72) Inventor: **Robyn B. Lesser**, Clearwater, FL (US)

(\*\*) Term: **15 Years**

(21) Appl. No.: **29/755,196**

(22) Filed: **Oct. 19, 2020**

(51) **LOC (13) Cl.** ..... **24-02**

(52) **U.S. Cl.**  
USPC ..... **D24/181**

(58) **Field of Classification Search**  
USPC ..... D24/176–182; D8/349, 352, 354, 382  
CPC ..... A61C 5/80; A61C 5/85; A61C 5/88  
See application file for complete search history.

(56) **References Cited**

U.S. PATENT DOCUMENTS

3,147,552	A *	9/1964	Goldman	.....	A61C 5/85 433/39
3,383,769	A *	5/1968	Davis	.....	A61C 5/85 24/265 R
3,829,975	A *	8/1974	Balson	.....	A61C 5/85 433/39
D253,191	S *	10/1979	Stark	.....	D24/181
5,342,194	A *	8/1994	Feldman	.....	A61C 5/85 433/229
6,981,870	B2 *	1/2006	Heasley	.....	A61C 5/80 433/139
7,322,823	B2 *	1/2008	Schaffner	.....	A61C 5/85 433/155
8,517,732	B2 *	8/2013	Segal	.....	A61C 5/85 433/155

D792,594	S *	7/2017	Nicholson	.....	D24/181
2008/0187881	A1 *	8/2008	Rus	.....	A61C 5/85 433/39
2011/0189629	A1 *	8/2011	Kilcher	.....	A61C 5/85 433/226
2018/0008375	A1 *	1/2018	Nicholson	.....	A61C 5/85
2020/0315742	A1 *	10/2020	Lesser	.....	A61C 5/85
2020/0337804	A1 *	10/2020	McDonald	.....	A61C 5/85

\* cited by examiner

*Primary Examiner* — Wan Laymon

(74) *Attorney, Agent, or Firm* — Thomas | Horstemeyer, LLP

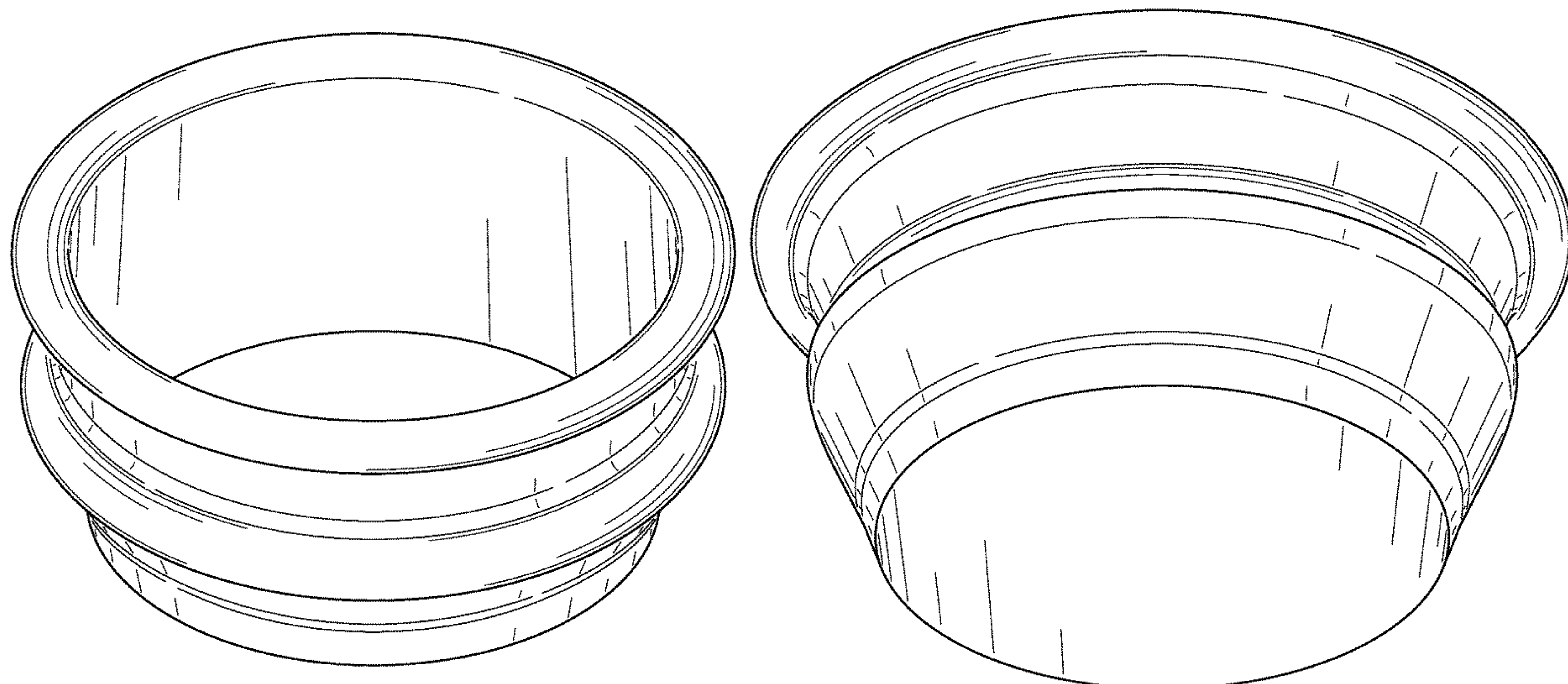
(57) **CLAIM**

The ornamental design for a dental posterior matrix, as shown and described.

**DESCRIPTION**

FIG. 1 is a top perspective view of a dental posterior matrix, showing my new design;  
 FIG. 2 is a side view thereof, where any other side view is identical to the view shown in FIG. 2;  
 FIG. 3 is a top view thereof;  
 FIG. 4 is a bottom view thereof;  
 FIG. 5 is a bottom perspective view;  
 FIG. 6 is a top perspective view of a second embodiment of the dental posterior matrix of FIG. 1, showing my new design;  
 FIG. 7 is a side view thereof, where any other side view is identical to the view shown in FIG. 7;  
 FIG. 8 is a top view thereof;  
 FIG. 9 is a bottom view thereof; and,  
 FIG. 10 is a bottom perspective view.

**1 Claim, 10 Drawing Sheets**



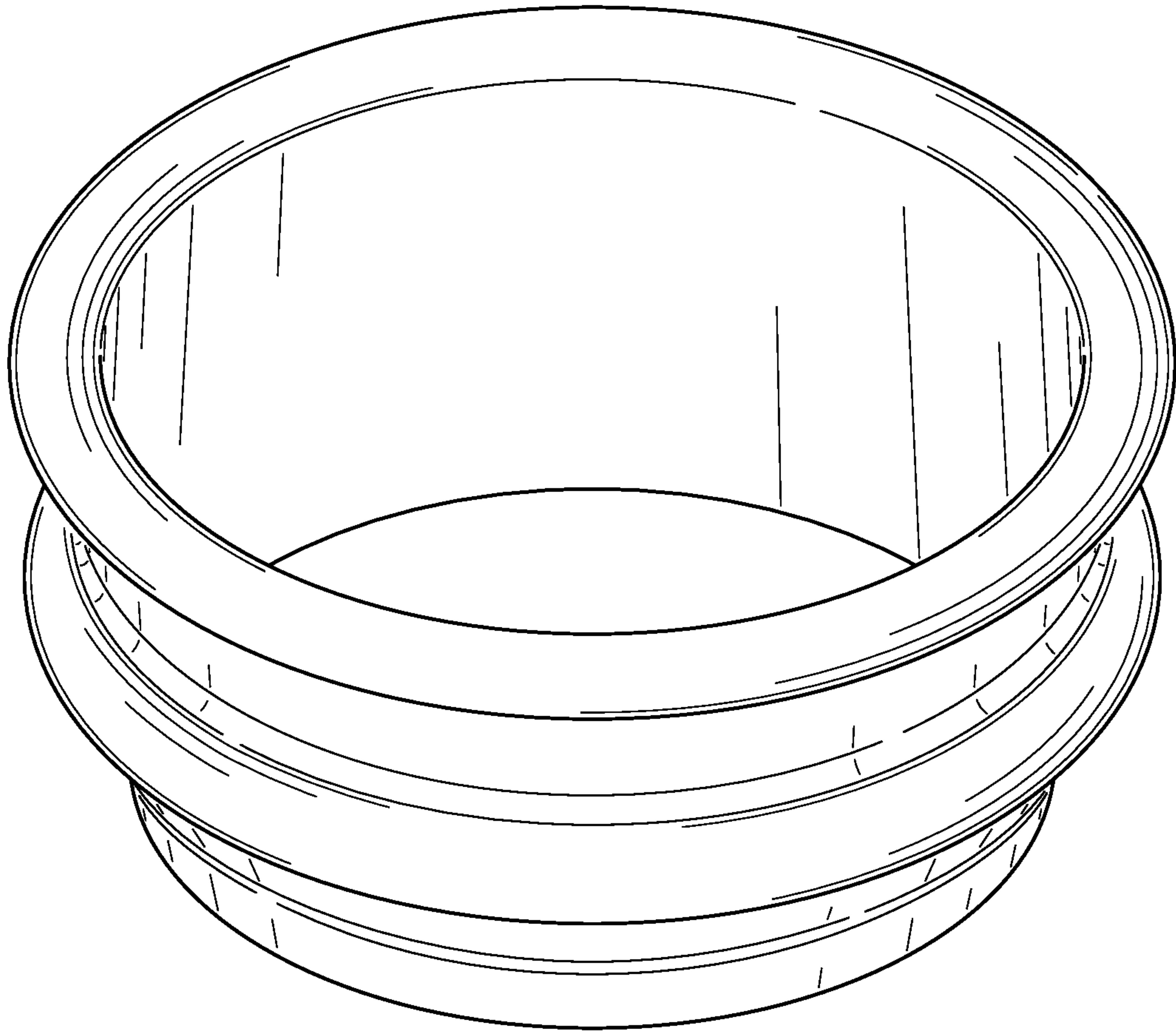


FIG. 1

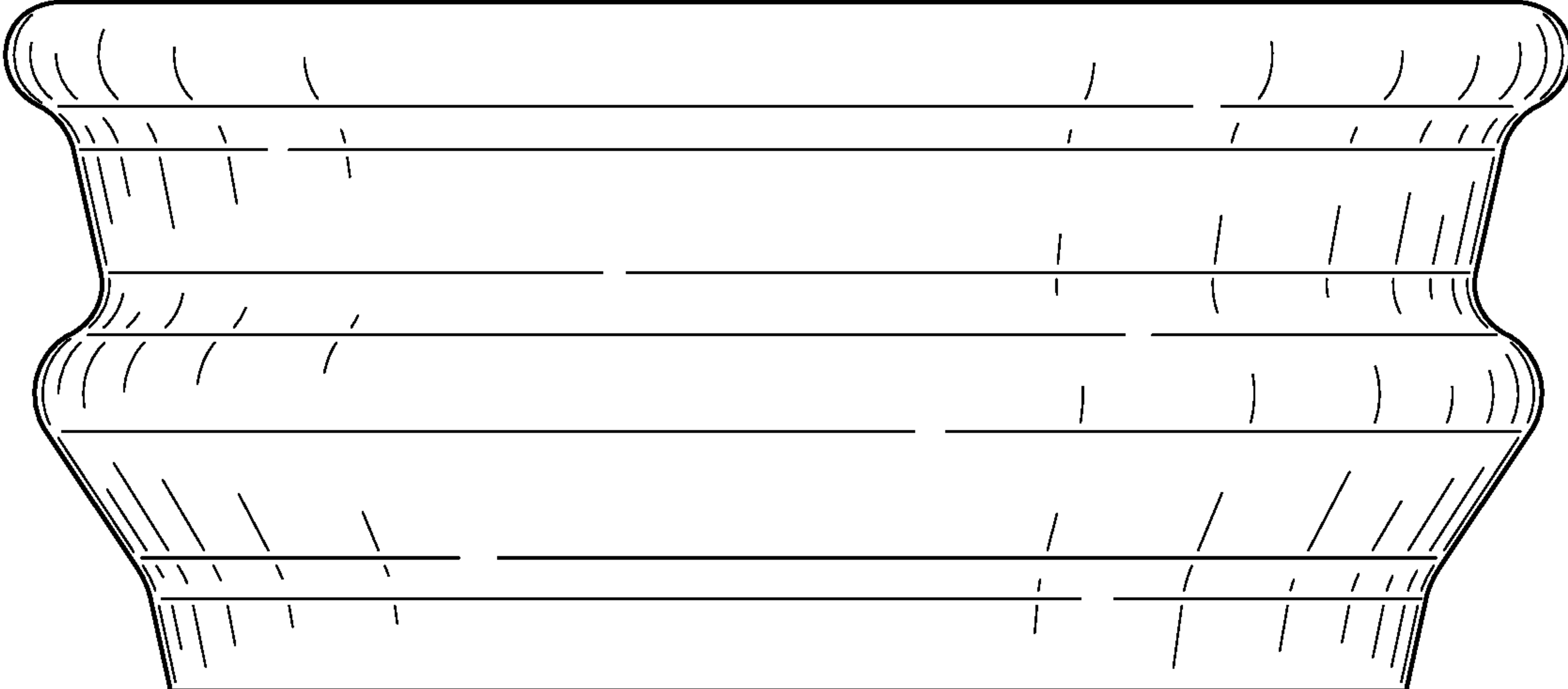


FIG. 2

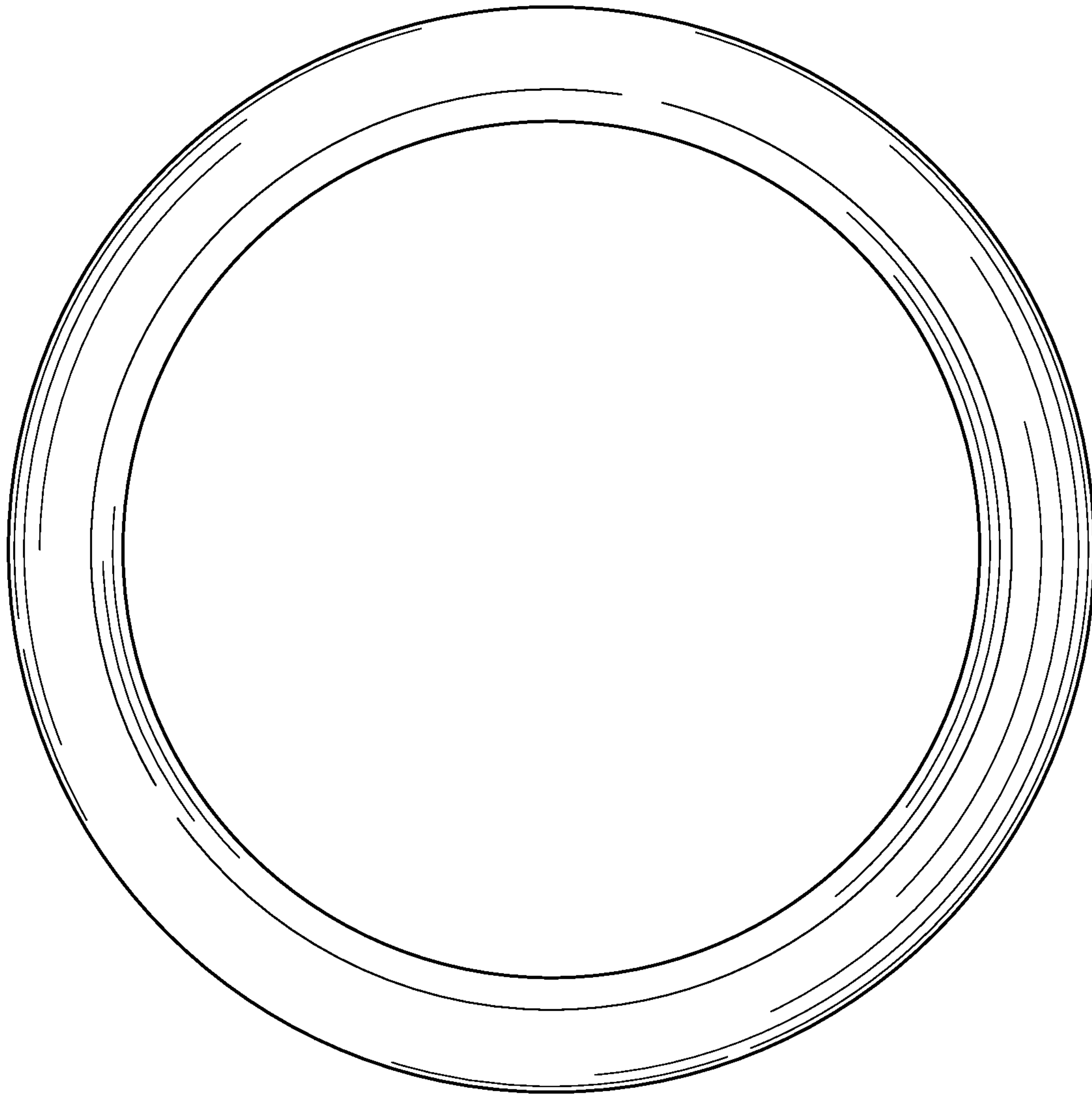


FIG. 3



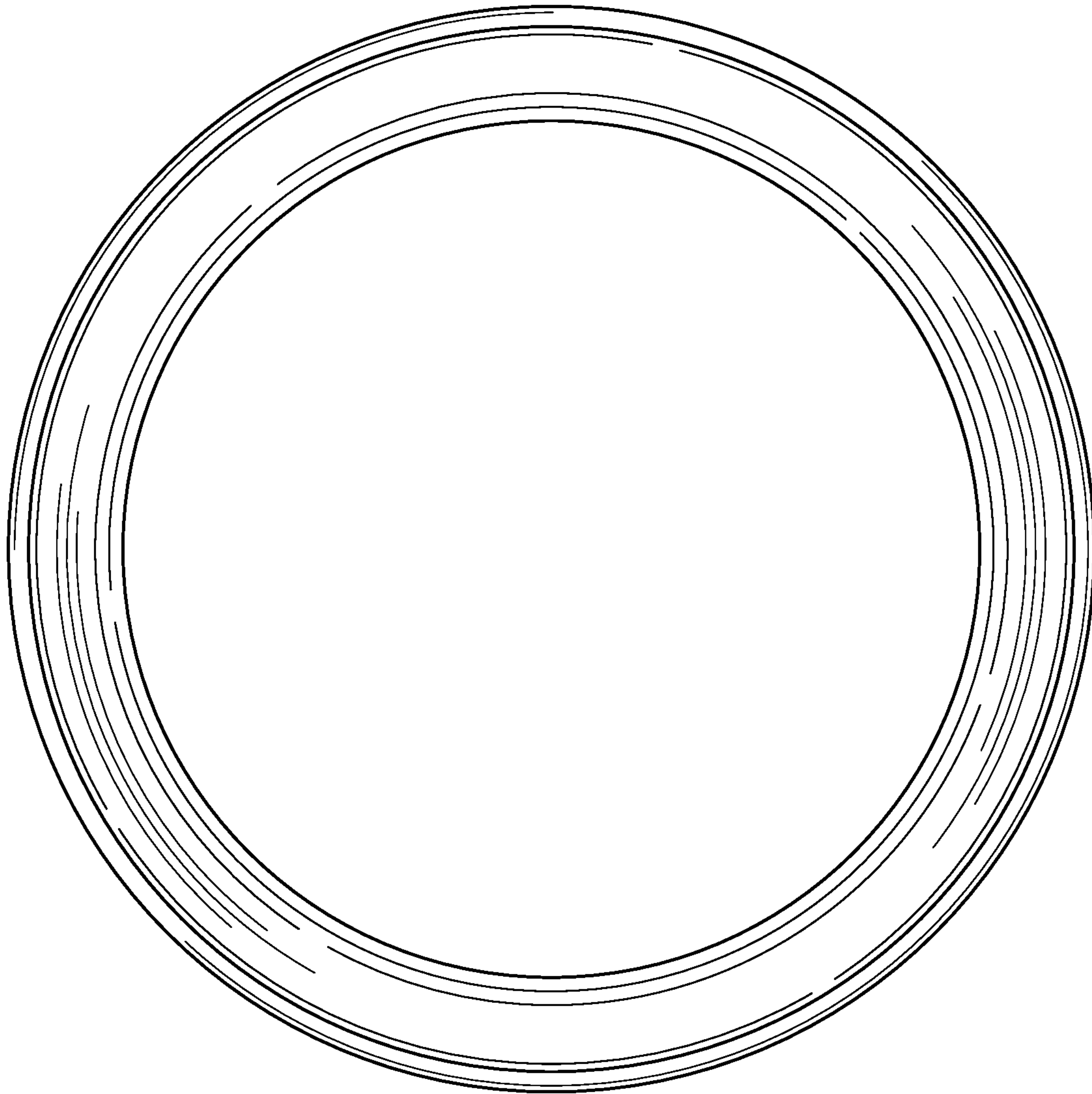


FIG. 4

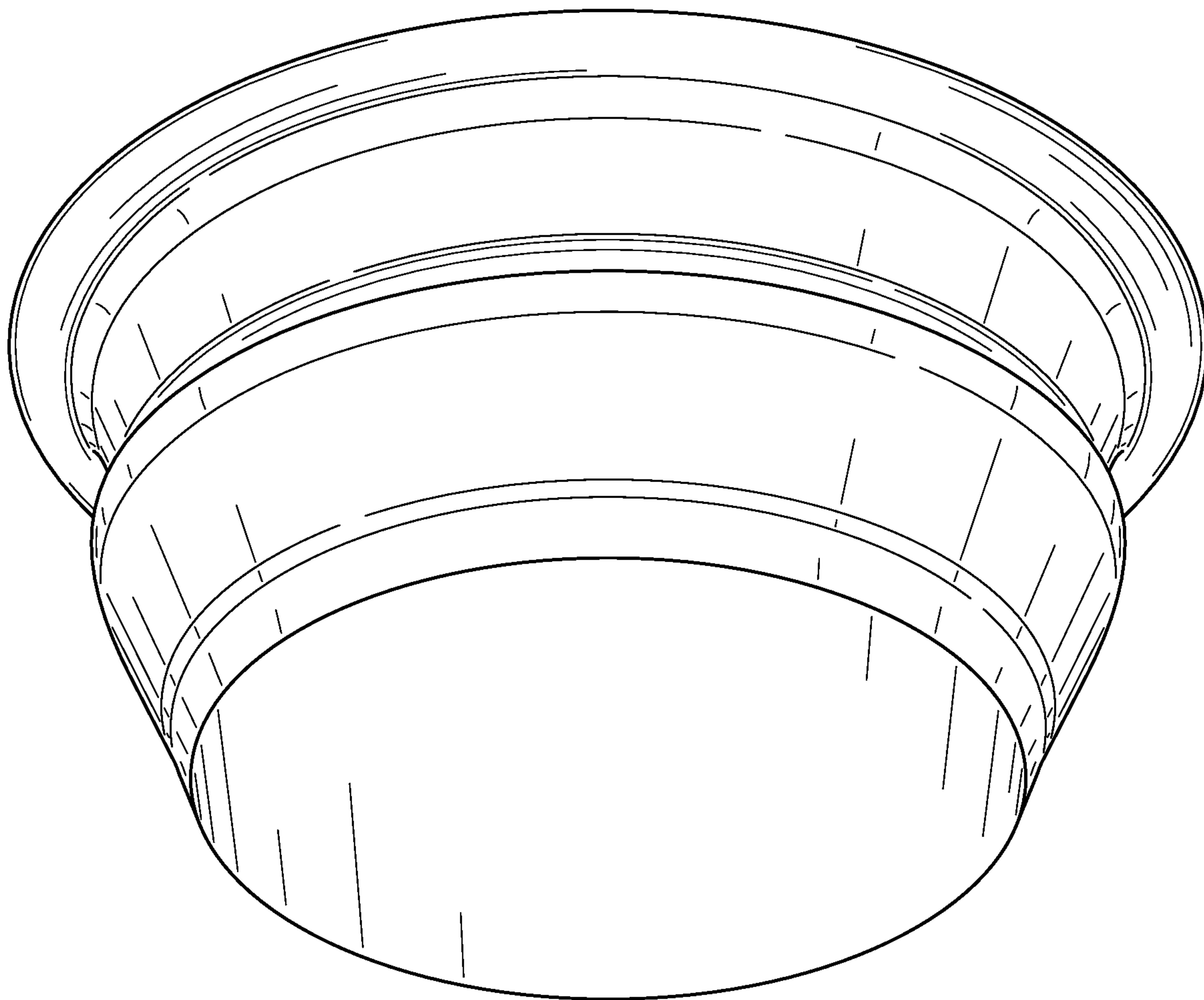


FIG. 5

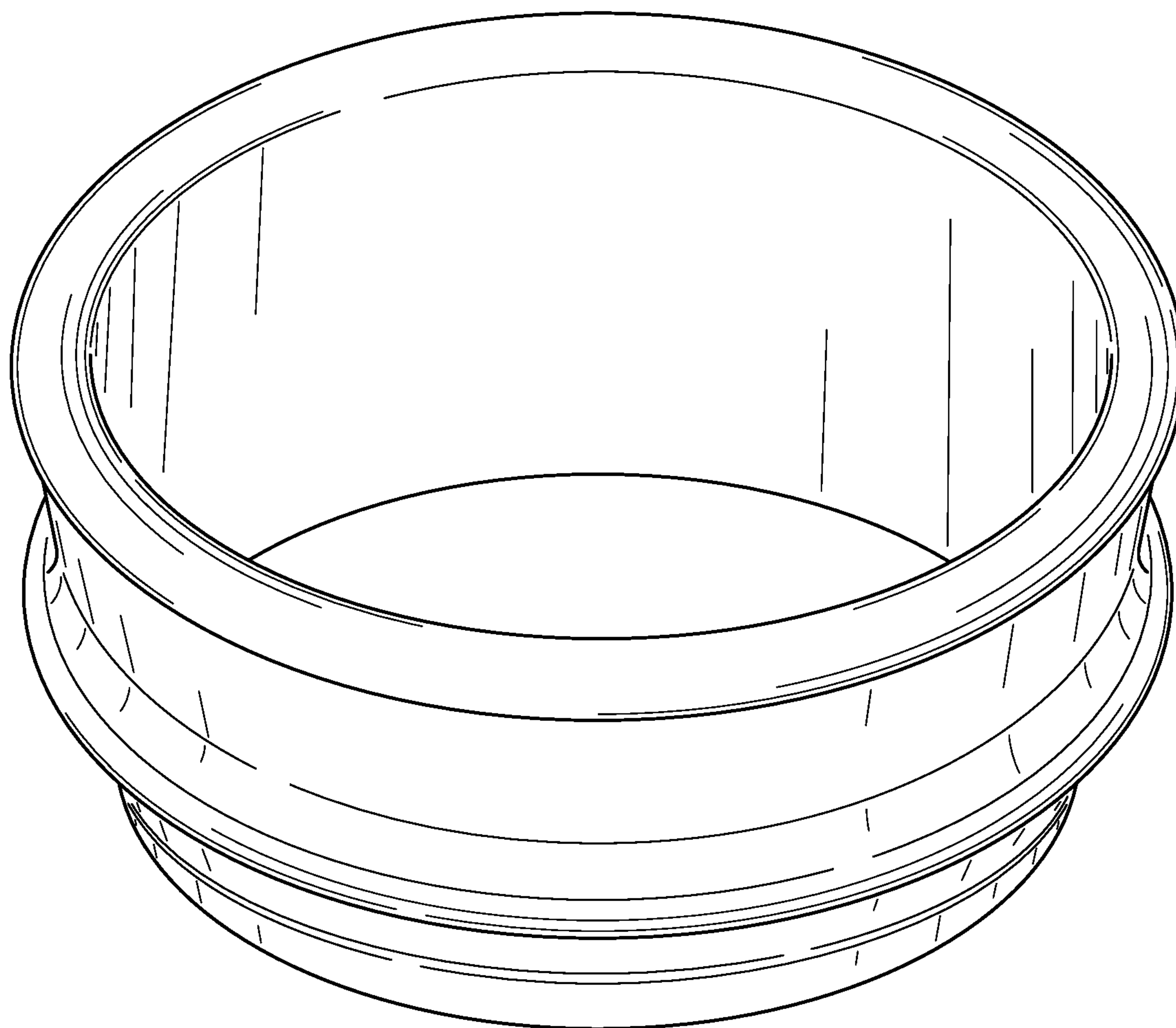


FIG. 6

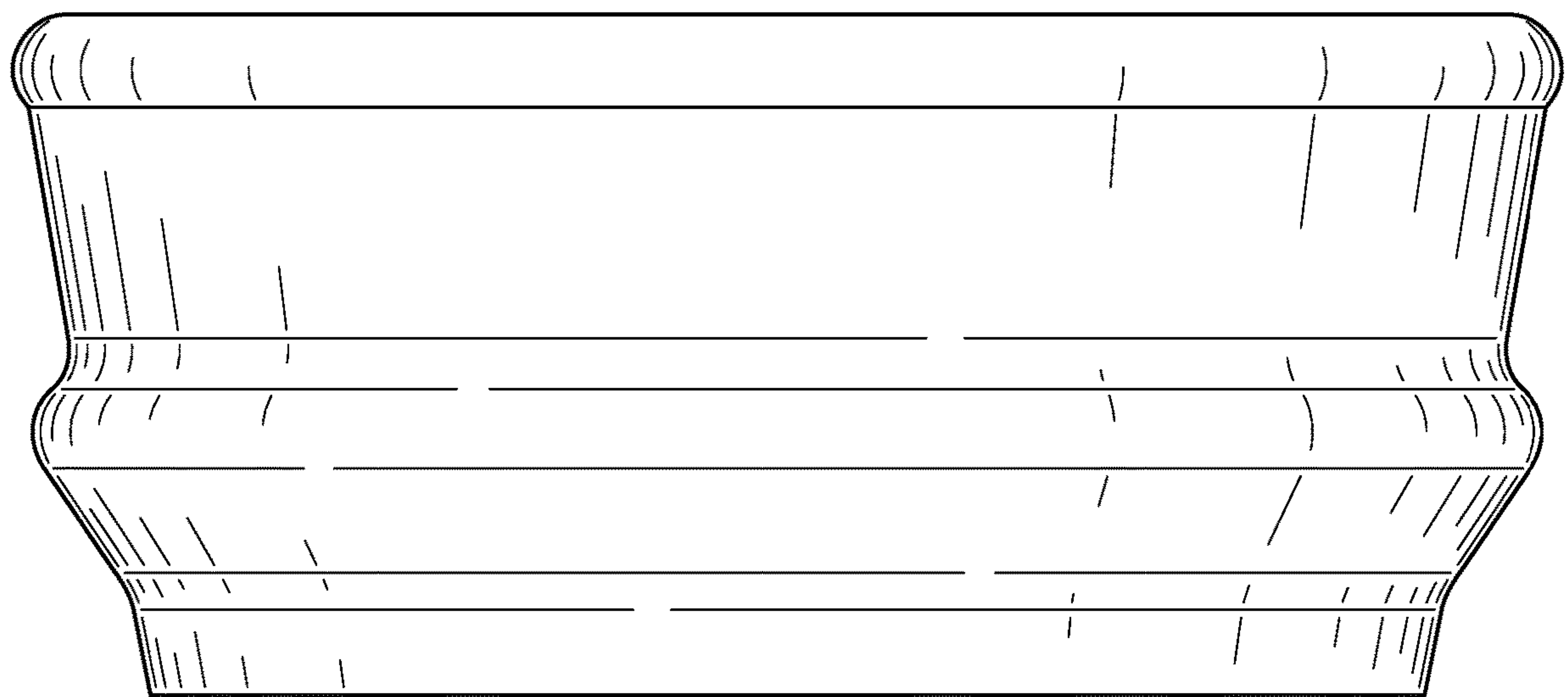


FIG. 7



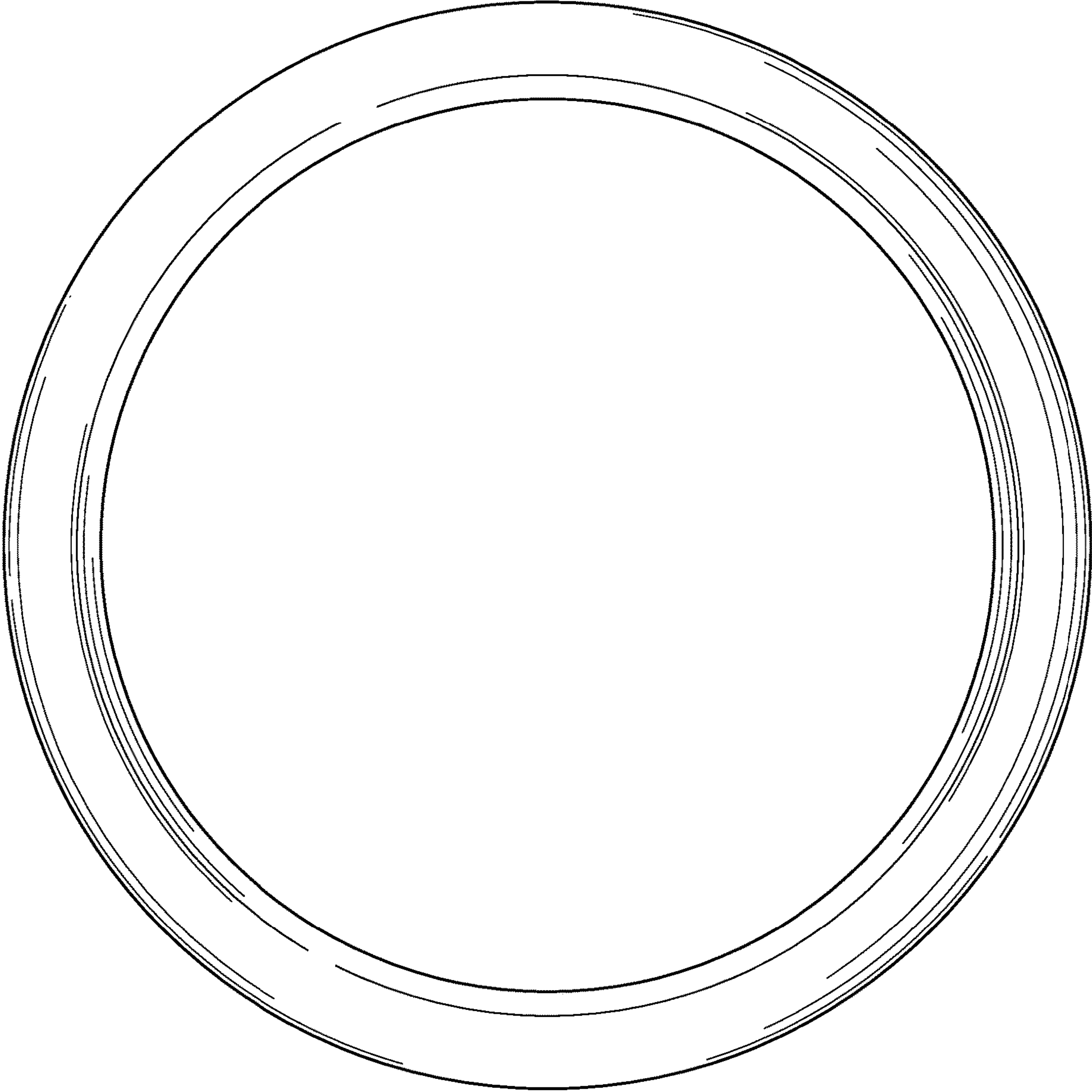


FIG. 8

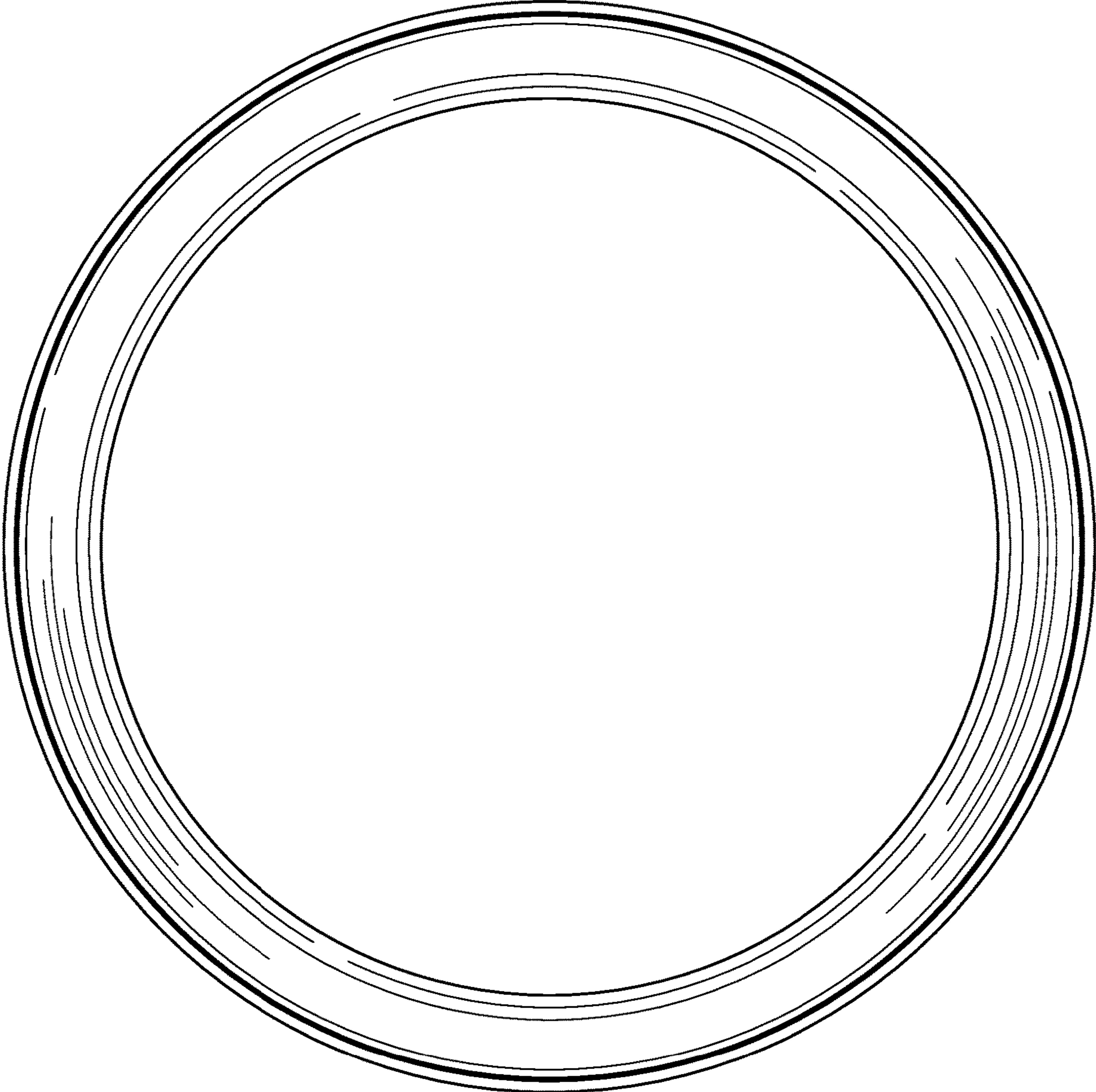


FIG. 9

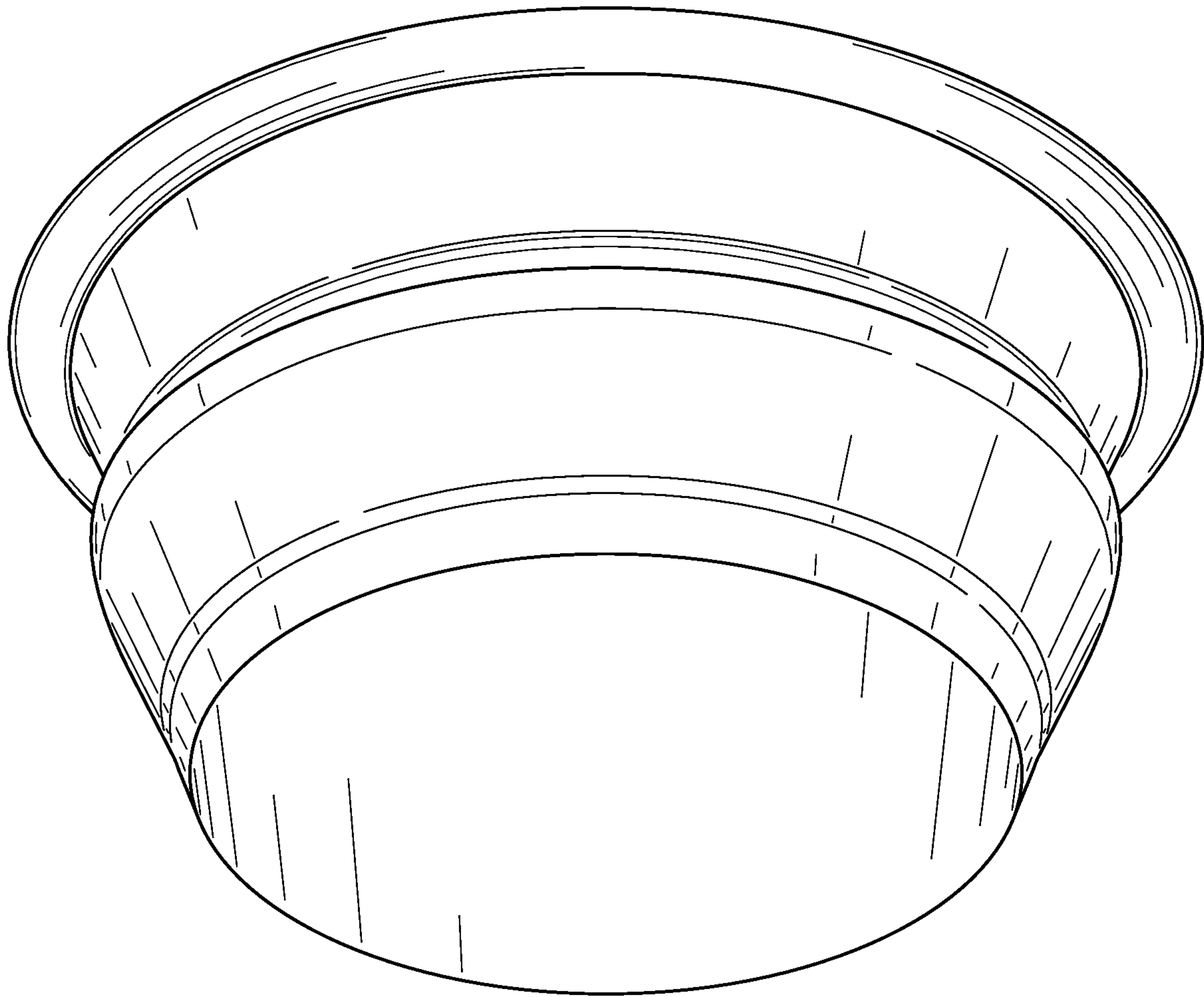


FIG. 10