

US00D966523S

(12) **United States Design Patent** (10) **Patent No.:** **US D966,523 S**
Pauser et al. (45) **Date of Patent:** **** Oct. 11, 2022**

(54) DENTAL INSTRUMENT	D357,536 S	4/1995	Dragan	
	5,489,207 A *	2/1996	Dragan	A61C 5/62 433/90
(71) Applicant: 3M INNOVATIVE PROPERTIES COMPANY , St. Paul, MN (US)	5,743,436 A	4/1998	Wilcox	
	6,062,857 A	5/2000	Oppawsky	
	6,116,902 A	9/2000	Schödel	
(72) Inventors: Helmut Pauser , Diessen (DE); Marc Peuker , Schondorf (DE); Martin Preininger , Bavaria (DE); Moritz Werny , Munich (DE); Philipp Refior , Munich (DE); Wolfgang Weinmann , Weilheim (DE)	D449,693 S	10/2001	Shibuya	
	6,296,484 B1	10/2001	Nihei	
	6,312,254 B1	11/2001	Friedman	
	6,652,494 B1	11/2003	Dragan	
	6,790,037 B1	9/2004	Orecchia	
	6,929,157 B2	8/2005	Orecchia	
	8,403,664 B2	3/2013	Jung	
(73) Assignee: 3M INNOVATIVE PROPERTIES COMPANY , St. Paul, MN (US)	8,616,879 B2 *	12/2013	Dubey	A61C 5/62 433/80

(Continued)

(**) Term: **15 Years**

FOREIGN PATENT DOCUMENTS

(21) Appl. No.: **29/765,294**

CA	2169595	11/1996
JP	2005211290	8/2005

(22) Filed: **Jan. 7, 2021**

Primary Examiner — Wan Laymon

Related U.S. Application Data

(63) Continuation of application No. 29/695,293, filed on Jun. 18, 2019, now Pat. No. Des. 910,185.

(57) **CLAIM**

The ornamental design for a dental instrument, as shown and described.

(30) **Foreign Application Priority Data**

Dec. 19, 2018 (EM) 005930526-0001

(51) **LOC (13) Cl.** **24-02**

(52) **U.S. Cl.**

USPC **D24/176**

(58) **Field of Classification Search**

USPC D24/176-178, 112-113
CPC A61C 5/62; A61C 5/66; A61C 5/50; A61C 9/0026; B05C 17/01; B05C 17/00596; B05C 17/0123

See application file for complete search history.

DESCRIPTION

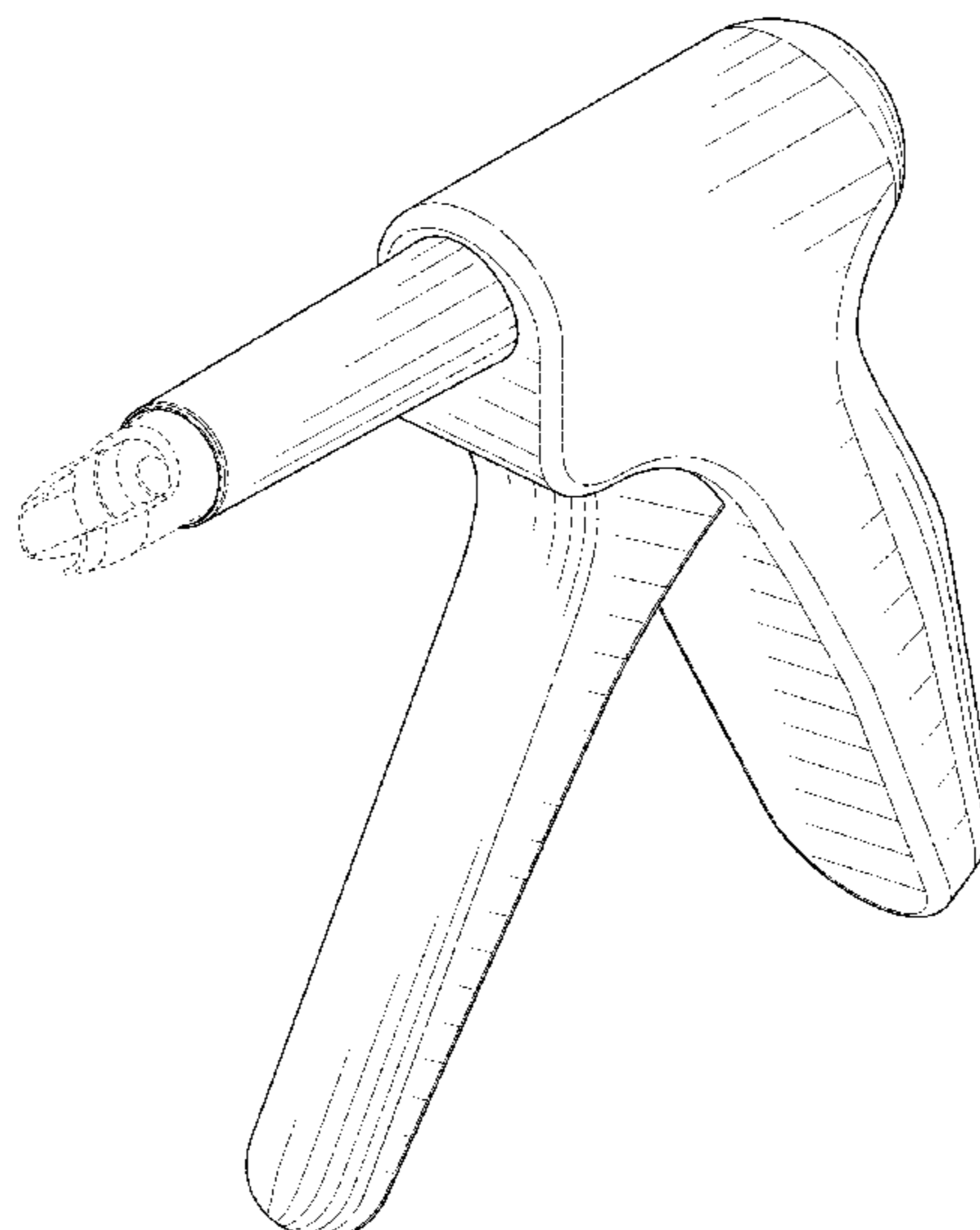
FIG. 1 is a perspective view of a dental instrument showing the new design for a dental instrument.
FIG. 2 is a front view thereof;
FIG. 3 is a rear view thereof;
FIG. 4 is a left-side view thereof;
FIG. 5 is a right-side view thereof;
FIG. 6 is a top view thereof; and,
FIG. 7 is a bottom plan view thereof.
The broken line shown in the figures is for the purpose of illustrating portions of the dental instrument and forms no part of the claimed design.

(56) **References Cited**

U.S. PATENT DOCUMENTS

5,125,836 A 6/1992 Dragan
5,306,147 A 4/1994 Dragan

1 Claim, 5 Drawing Sheets



(56)

References Cited

U.S. PATENT DOCUMENTS

D910,185	S	2/2021	Pauser	
2004/0164097	A1	8/2004	Orecchia	
2017/0049533	A1	2/2017	Lee	
2021/0113301	A1*	4/2021	Pauser A61C 5/62

* cited by examiner

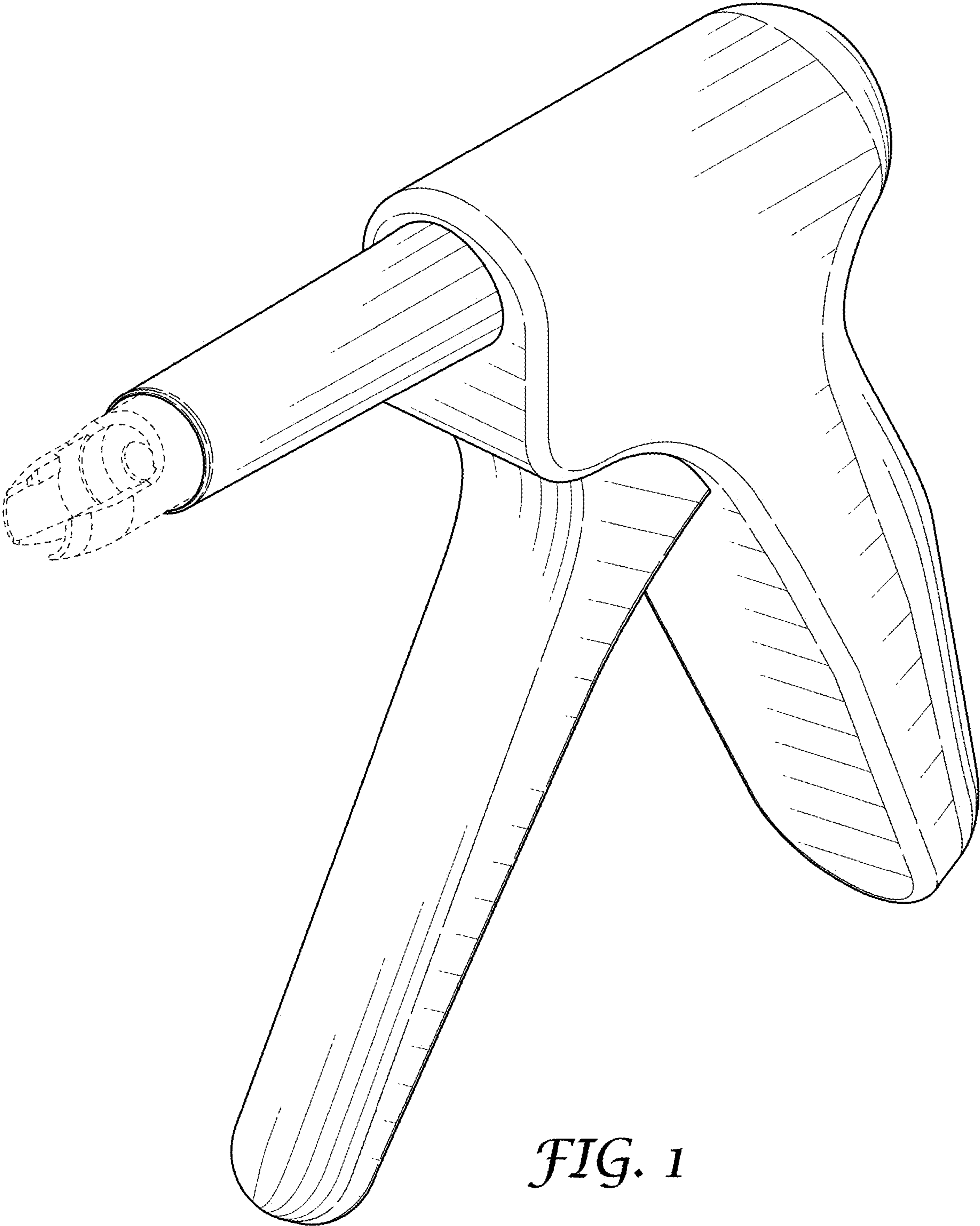


FIG. 1

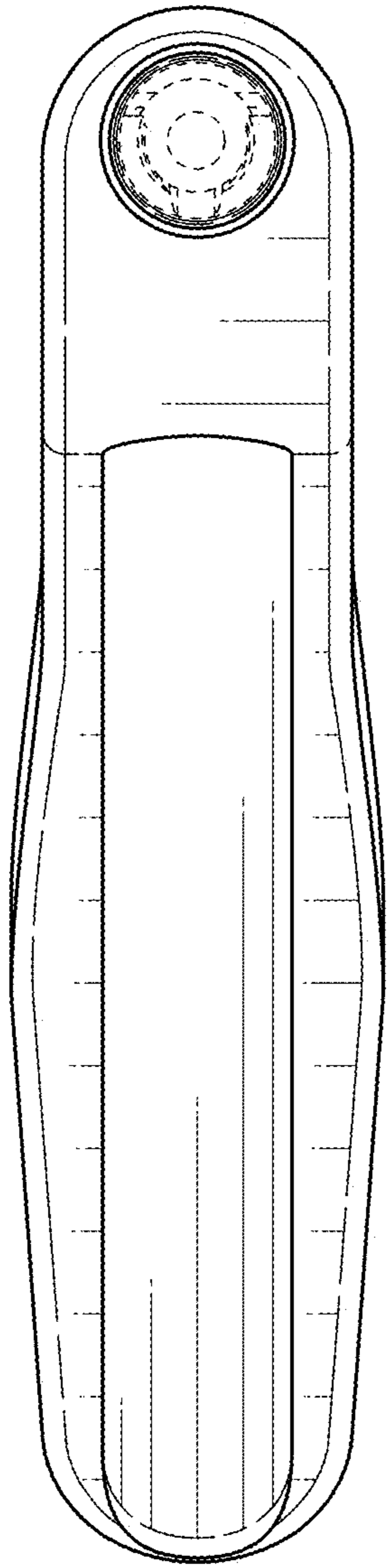


FIG. 2

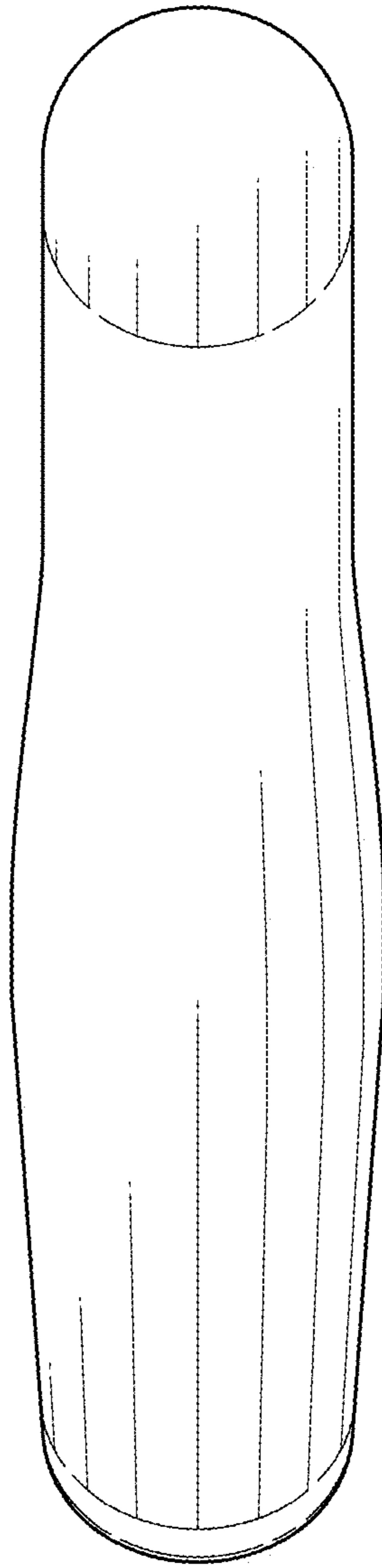


FIG. 3

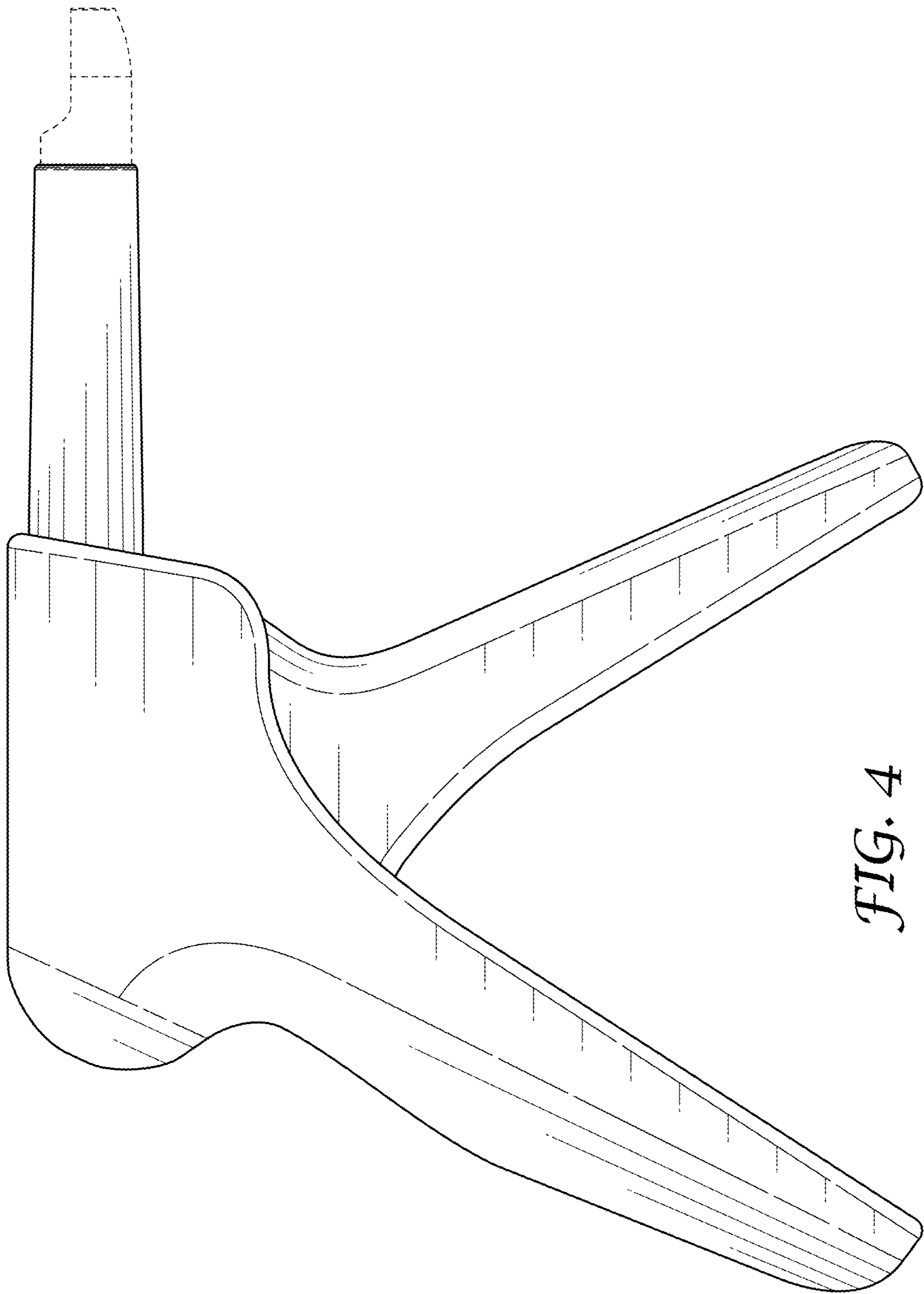


FIG. 4

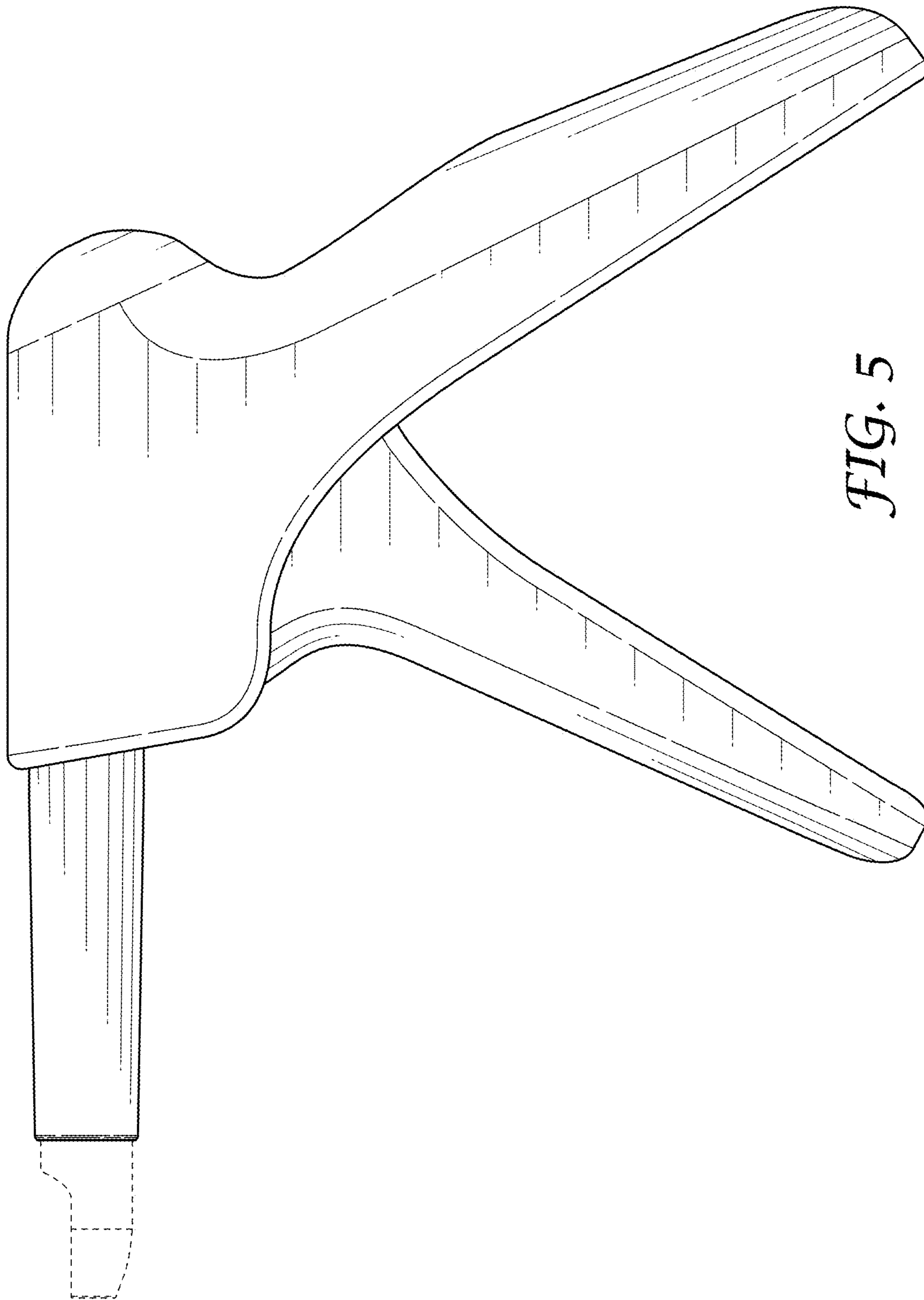


FIG. 5

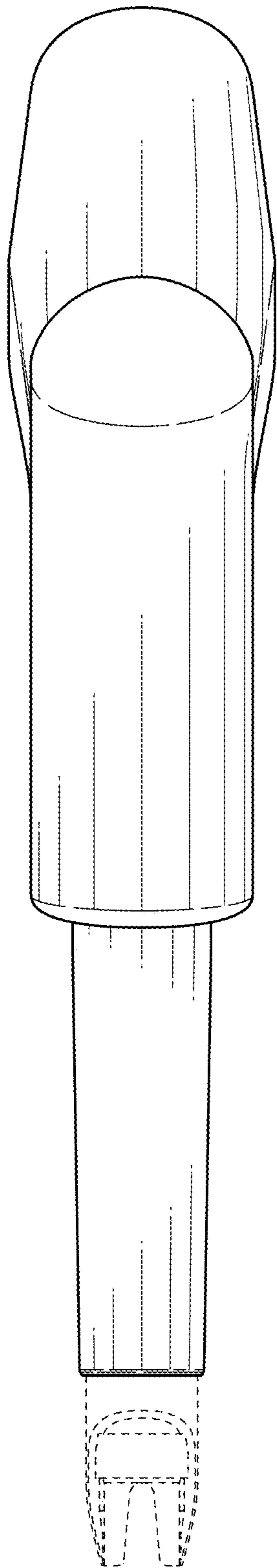


FIG. 6

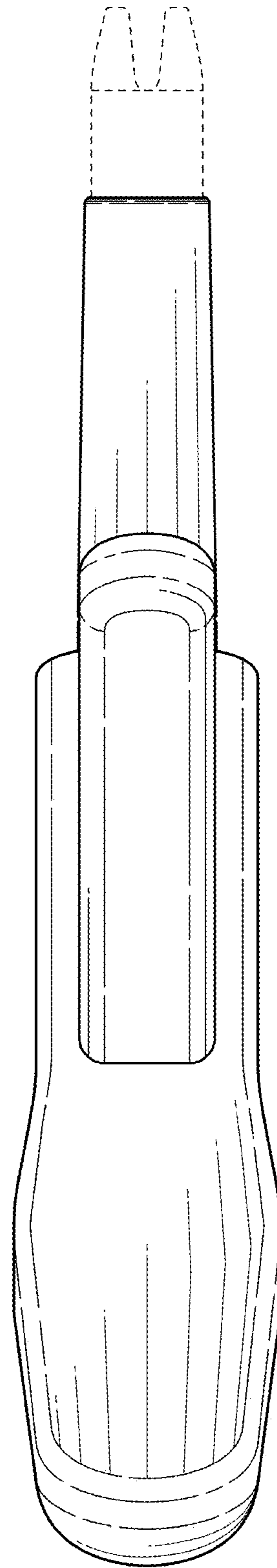


FIG. 7