



US00D966521S

(12) **United States Design Patent**
Van Manen

(10) **Patent No.:** **US D966,521 S**
(45) **Date of Patent:** **** Oct. 11, 2022**

(54) **PAIR OF LEFT AND RIGHT
BRACHYTHERAPY OVOIDS**

- (71) Applicant: **NUCLETRON OPERATIONS B.V.**,
Veenendaal (NL)
- (72) Inventor: **Jan Willem Van Manen**, Veenendaal
(NL)
- (73) Assignee: **Nucletron Operations B.V.**, Veenendaal
(NL)
- (**) Term: **15 Years**
- (21) Appl. No.: **29/790,307**
- (22) Filed: **Nov. 18, 2021**

Related U.S. Application Data

- (62) Division of application No. 29/725,844, filed on Feb.
27, 2020.
- (51) **LOC (13) Cl.** **24-01**
- (52) **U.S. Cl.**
USPC **D24/158**
- (58) **Field of Classification Search**
USPC D24/107, 158, 160, 185, 186, 187, 137,
D24/138
CPC A61B 8/12; A61B 8/4481; A61B 8/4488;
A61B 8/4477; A61B 8/483; A61B 5/10;
A61B 5/16
See application file for complete search history.

(56) **References Cited**

U.S. PATENT DOCUMENTS

D320,078 S *	9/1991	Terwilliger	D24/158
D371,200 S *	6/1996	Maurer	D24/187
5,562,594 A	10/1996	Weeks		
D406,642 S *	3/1999	Remes	D24/107

(Continued)

OTHER PUBLICATIONS

Elekta launches Geneva brachytherapy applicator for precise treatment of gynecological cancers. Cision.com. Posted on Apr. 23, 2020. Retrived from website at: <https://mb.cision.com/Main/35/30952>.

(Continued)

Primary Examiner — Anhdao Doan

(74) *Attorney, Agent, or Firm* — Bookoff McAndrews, PLLC

(57) **CLAIM**

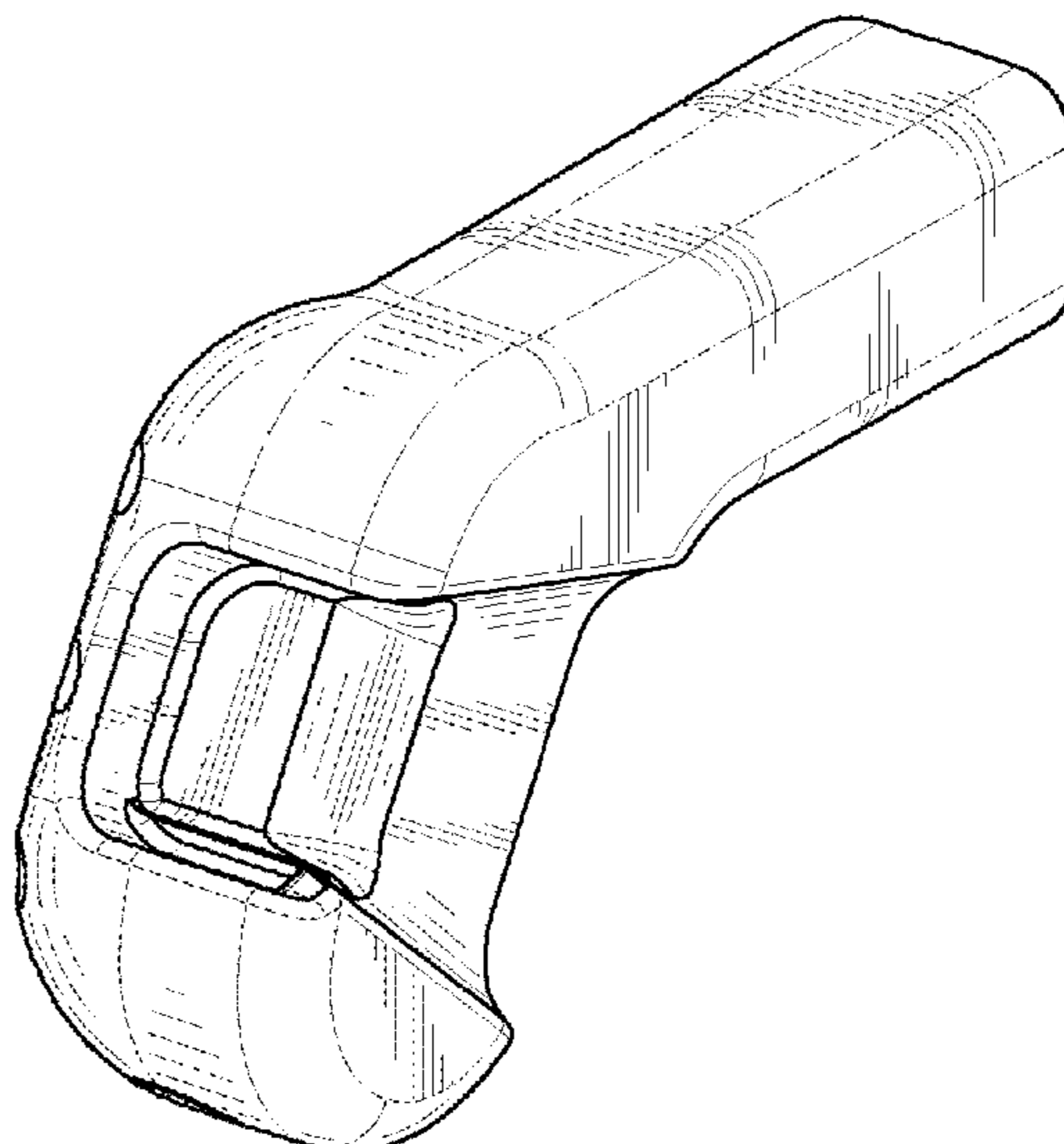
The ornamental design for a pair of left and right brachytherapy ovoids, as shown and described.

DESCRIPTION

FIG. 1 is a front right perspective view of a pair of left and right brachytherapy ovoids showing a first embodiment of my new design;
 FIG. 2 is a rear left perspective view thereof;
 FIG. 3 is a front elevation view thereof;
 FIG. 4 is a rear elevation view thereof;
 FIG. 5 is a right side view thereof;
 FIG. 6 is a left side view thereof;
 FIG. 7 is a top plan view thereof;
 FIG. 8 is a bottom view thereof;
 FIG. 9 is a front left perspective view of a pair of left and right brachytherapy ovoids showing the first embodiment of my new design;
 FIG. 10 is a rear right perspective view of FIG. 9;
 FIG. 11 is a front elevation view of FIG. 9;
 FIG. 12 is a rear elevation view of FIG. 9;
 FIG. 13 is a left side view of FIG. 9;
 FIG. 14 is a right side view of FIG. 9;
 FIG. 15 is a top view of FIG. 9; and,
 FIG. 16 is a bottom view of FIG. 9.

The broken lines shown in the drawings illustrate portions of the pair of left and right brachytherapy ovoids that form no part of the claimed design.

1 Claim, 8 Drawing Sheets



(56)

References Cited

U.S. PATENT DOCUMENTS

D642,266	S	7/2011	Marsteller et al.	
D815,285	S	4/2018	Lohrenz et al.	
D833,008	S	11/2018	Kalina, Jr. et al.	
10,226,232	B2	3/2019	Van de Wardt et al.	
D870,897	S	12/2019	Katzberg	
D914,220	S	3/2021	Nelson et al.	
D939,706	S	* 12/2021	Van Manen	D24/158
2010/0145132	A1	1/2010	Isham	
2014/0005539	A1	1/2014	Forster et al.	
2014/0121443	A1	5/2014	van Erp et al.	
2014/0121444	A1	5/2014	van Erp et al.	
2015/0327949	A1	11/2015	Van De Wardt et al.	
2018/0071549	A1	3/2018	Krechting et al.	

OTHER PUBLICATIONS

Brachytherapy in the treatment of cervical cancer. Steemit (/steemstem/@aquiless/brachytherapyin-the-treatment-of-cervical-cancer). Available in 2018.

* cited by examiner

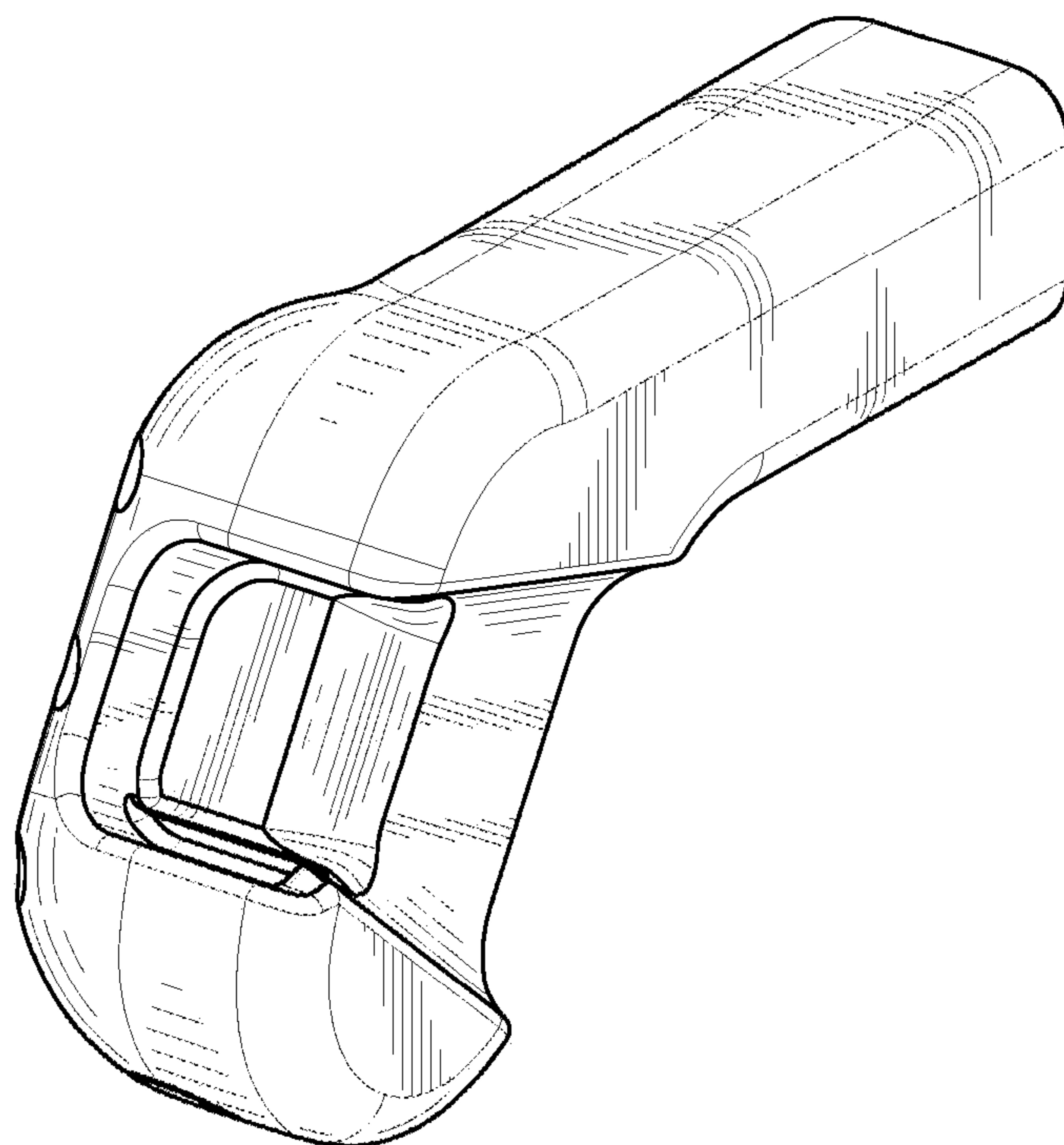


FIG. 1

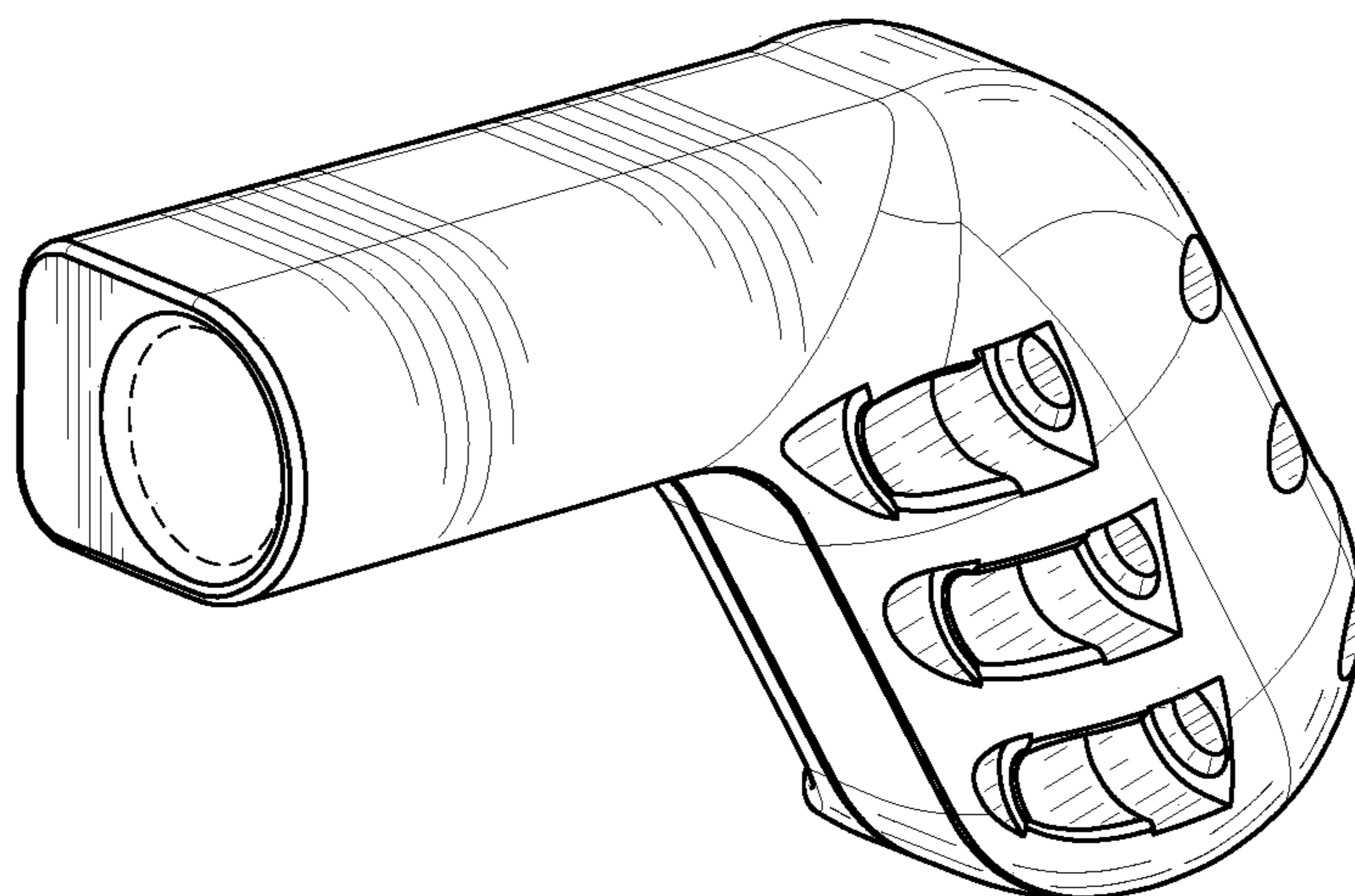


FIG. 2

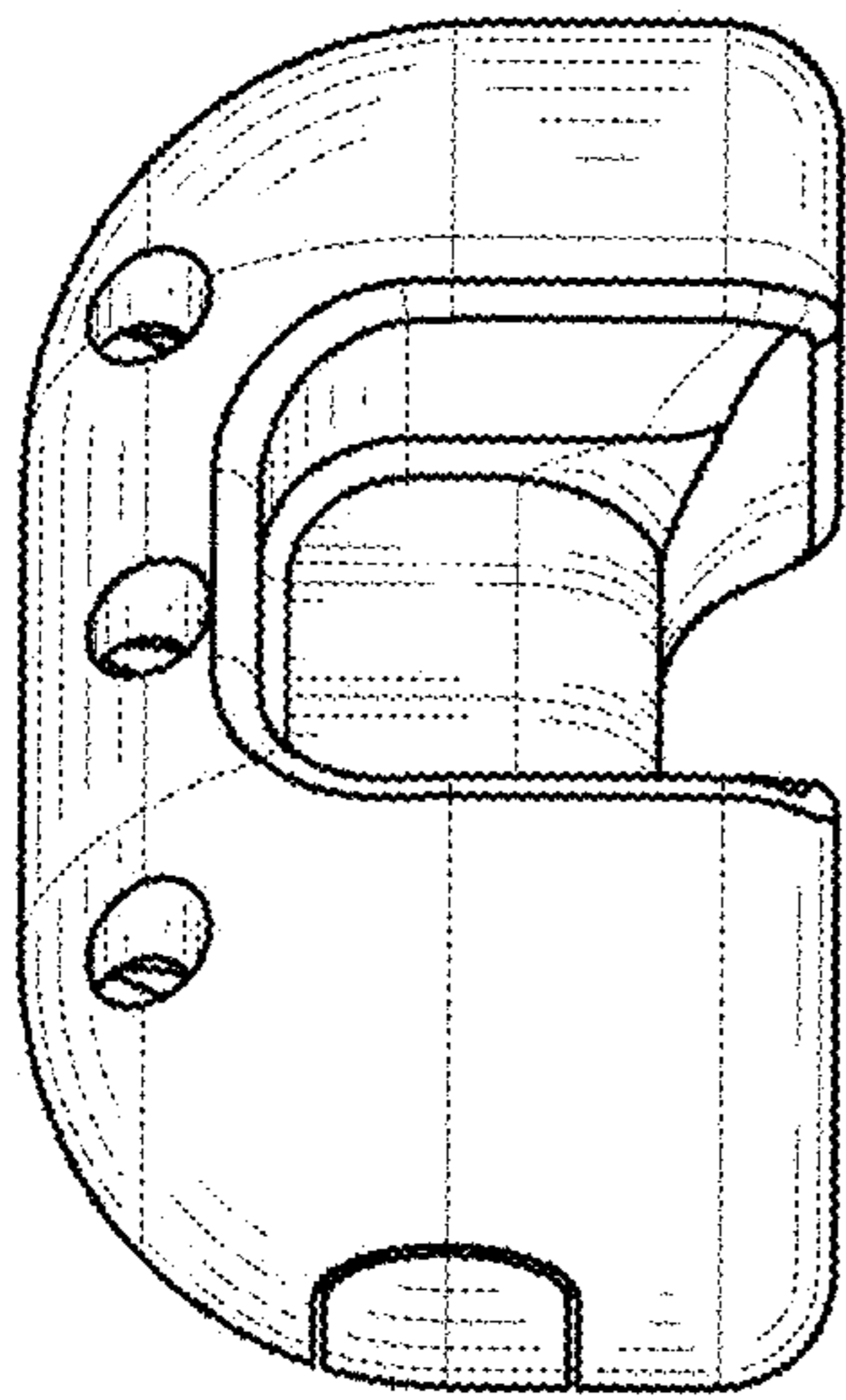


FIG. 3

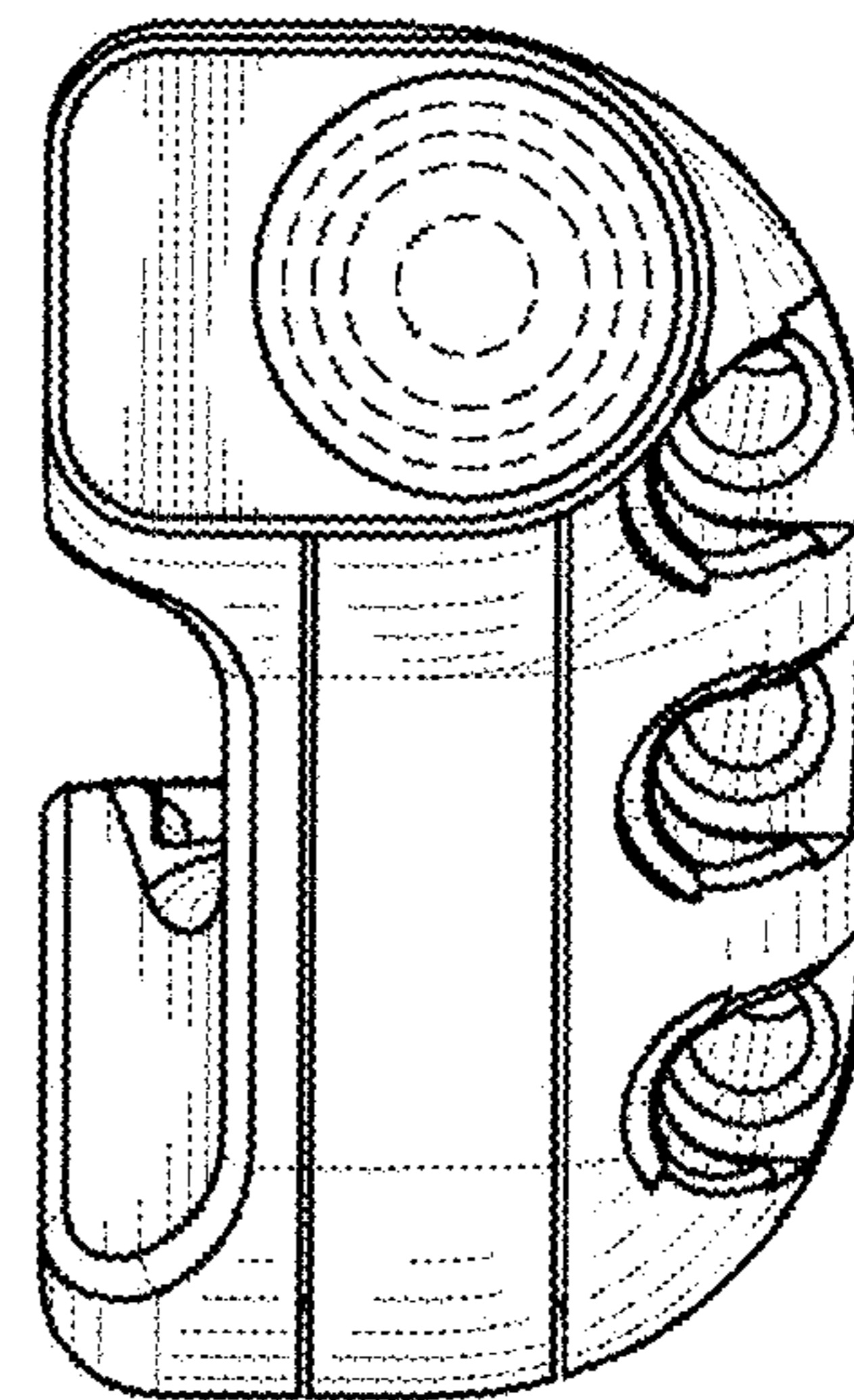


FIG. 4

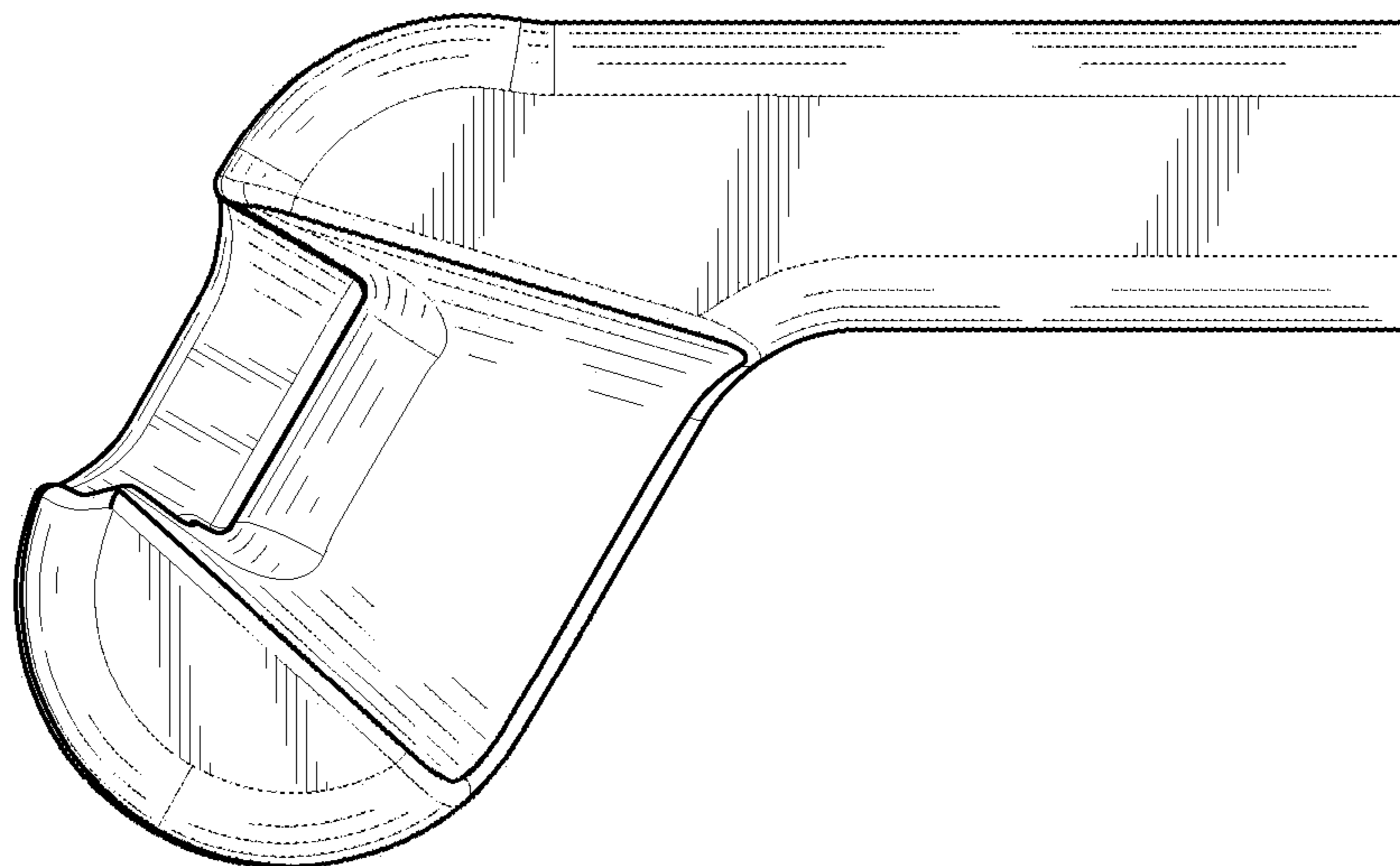


FIG. 5

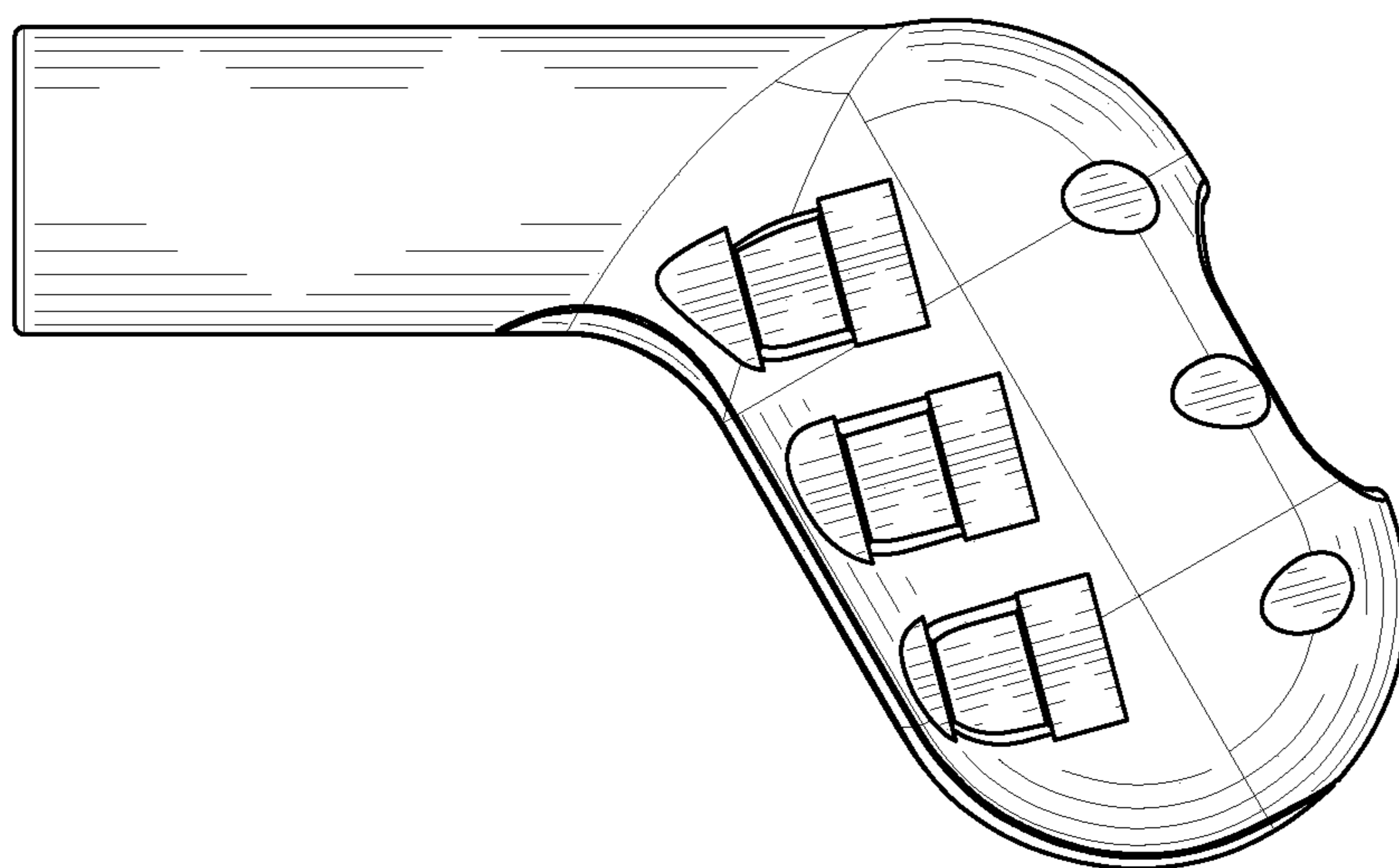


FIG. 6

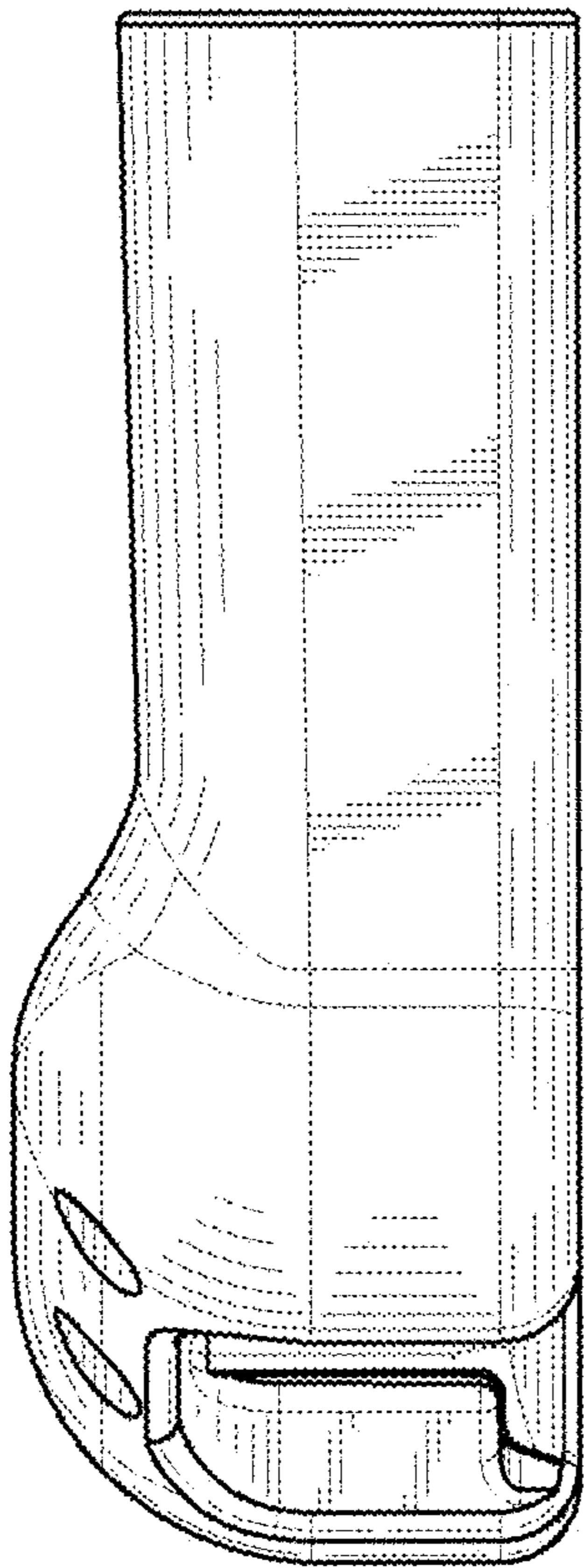


FIG. 7

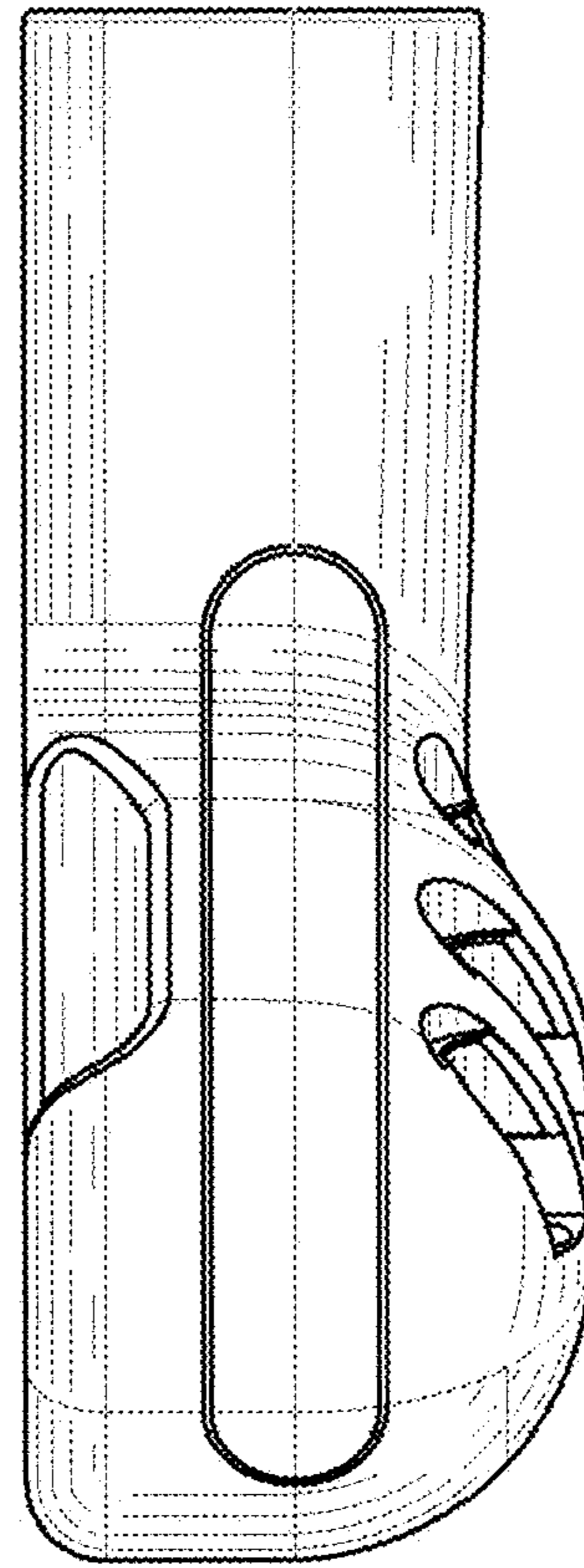


FIG. 8

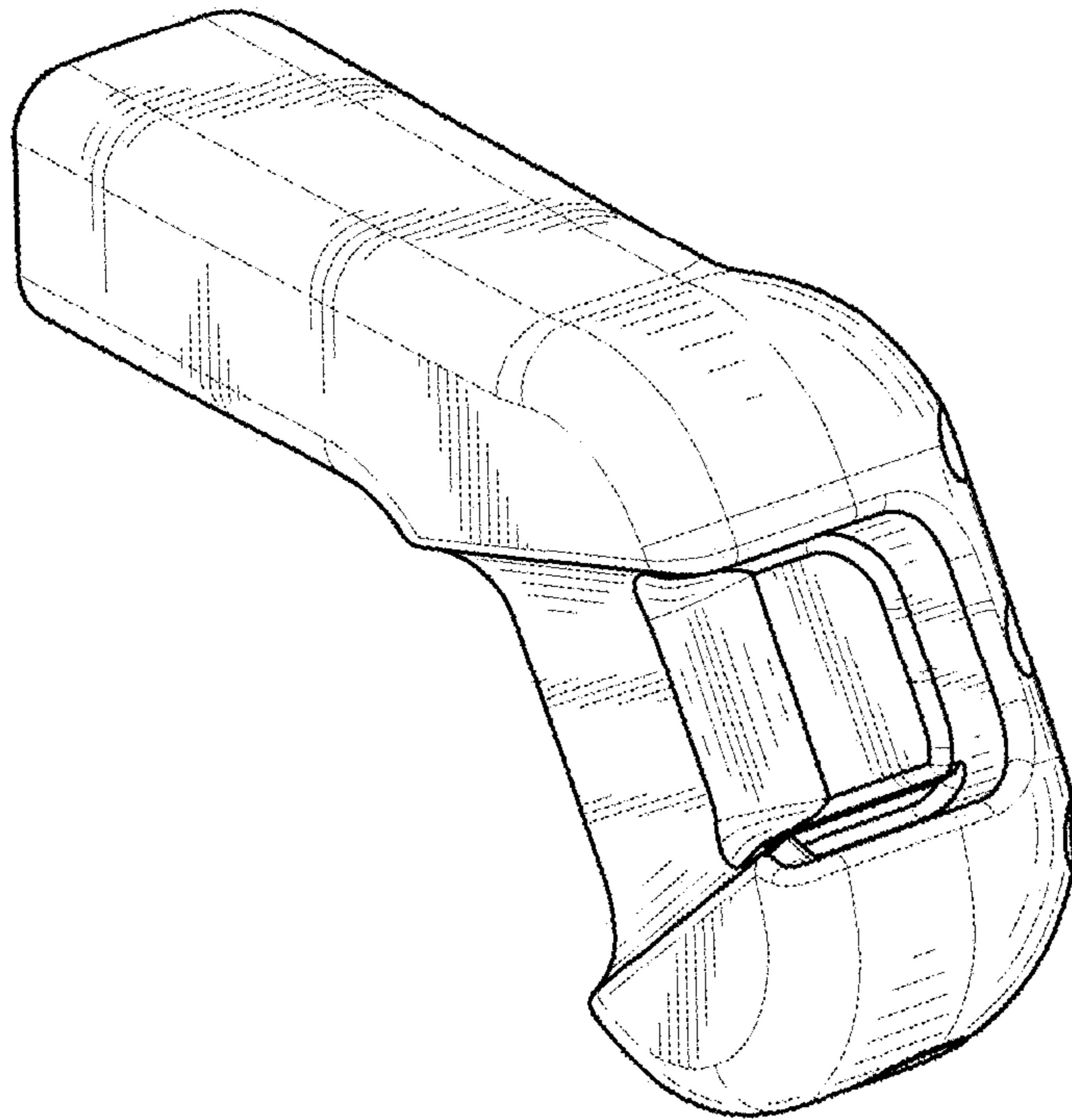


FIG. 9

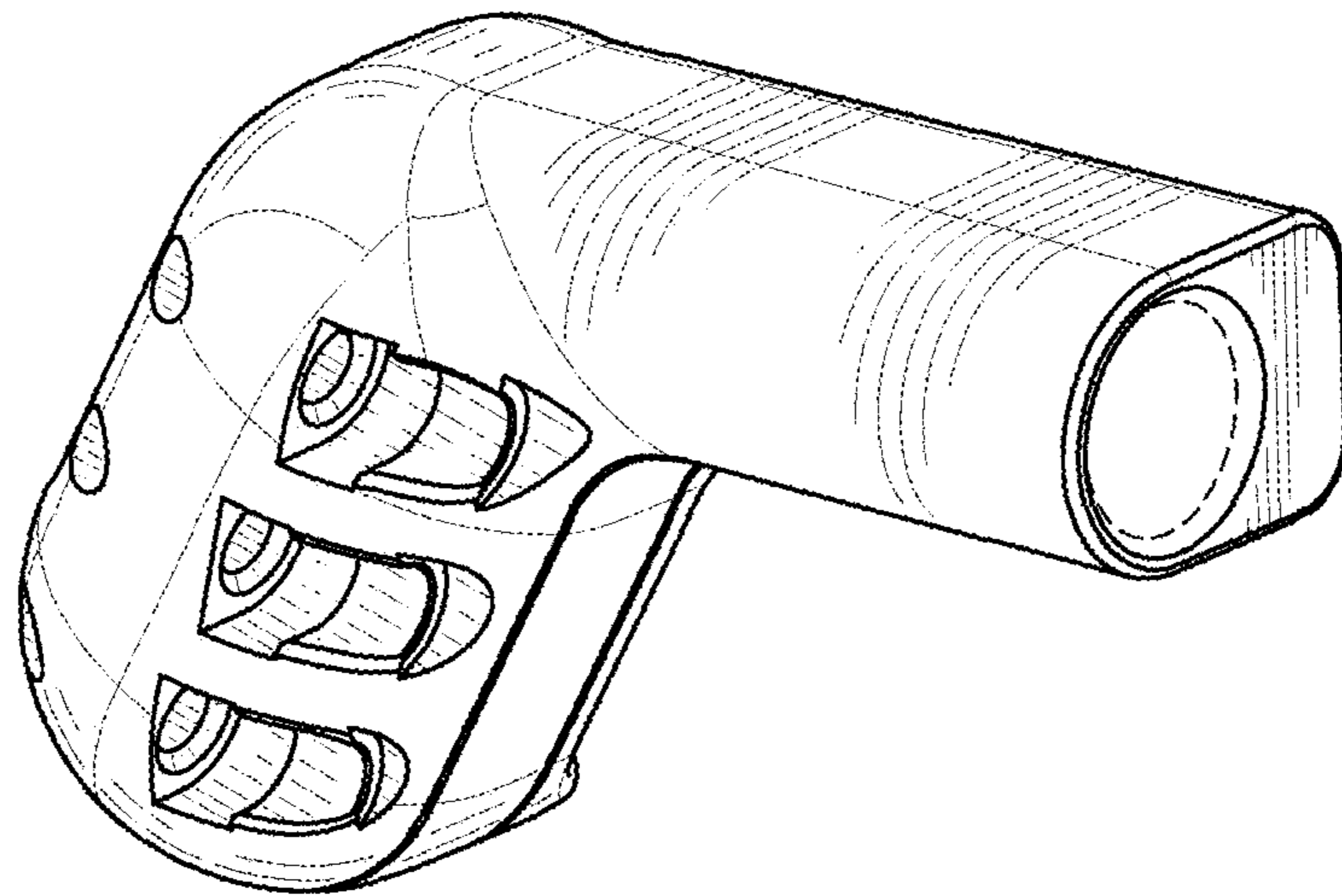


FIG. 10

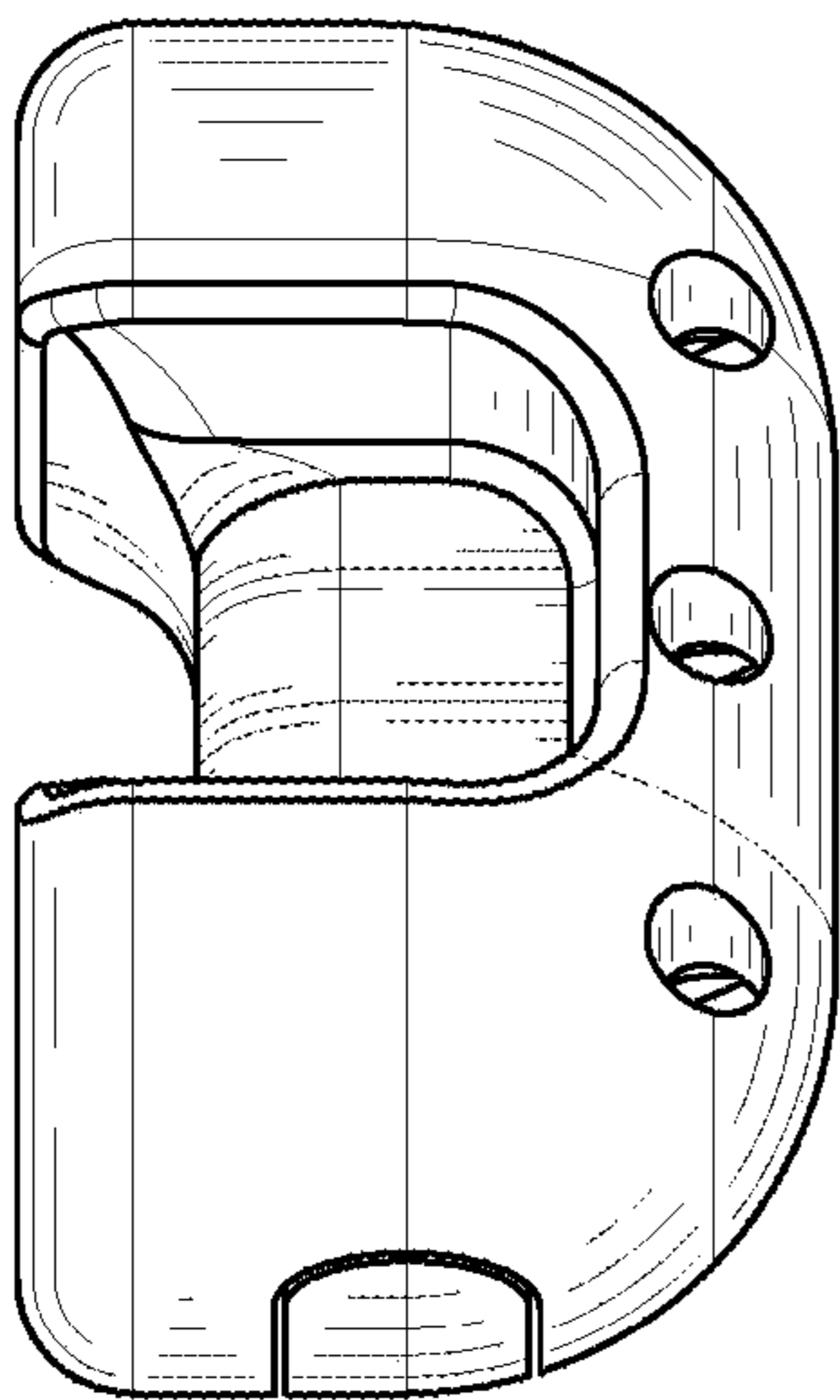


FIG. 11

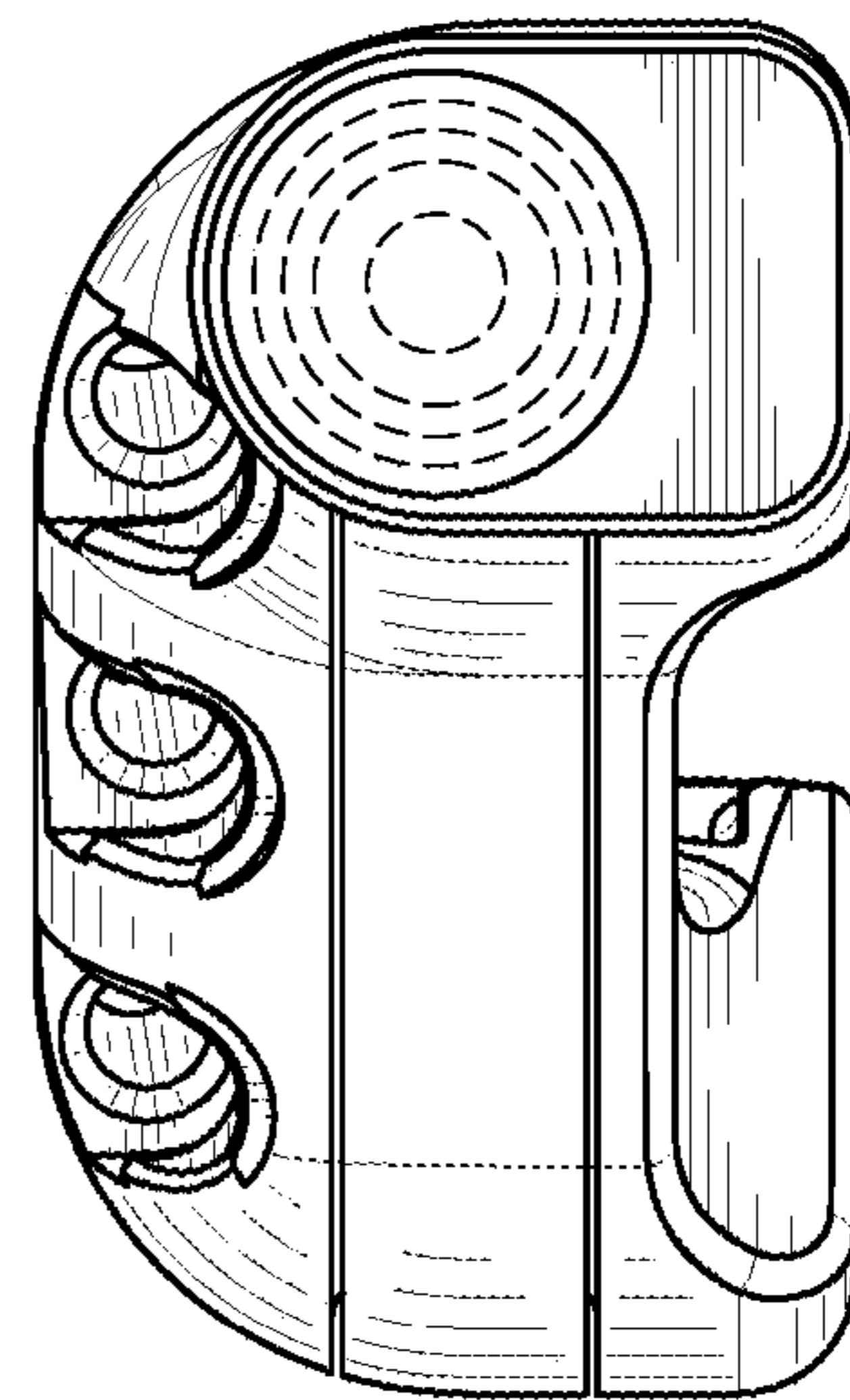


FIG. 12

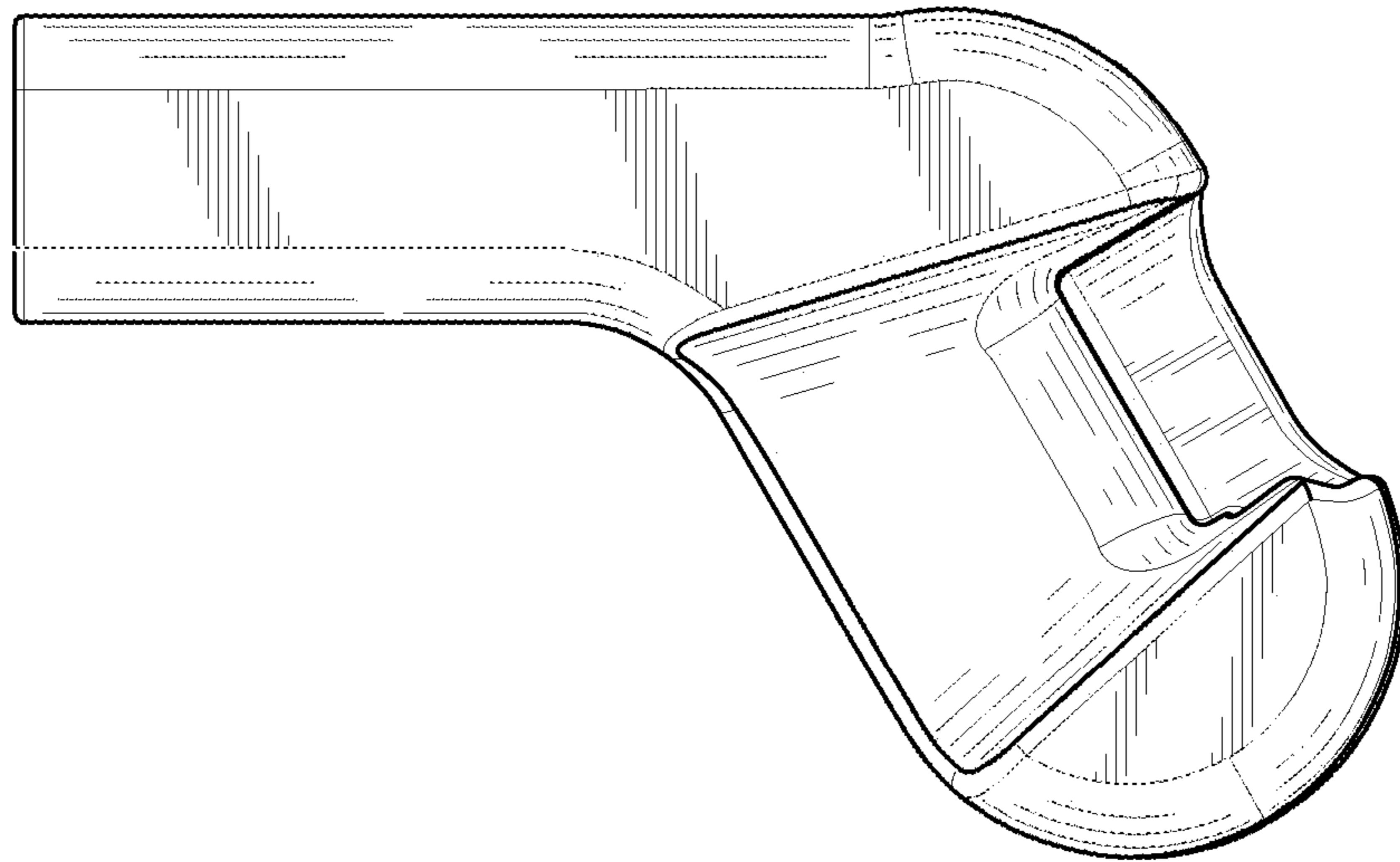


FIG. 13

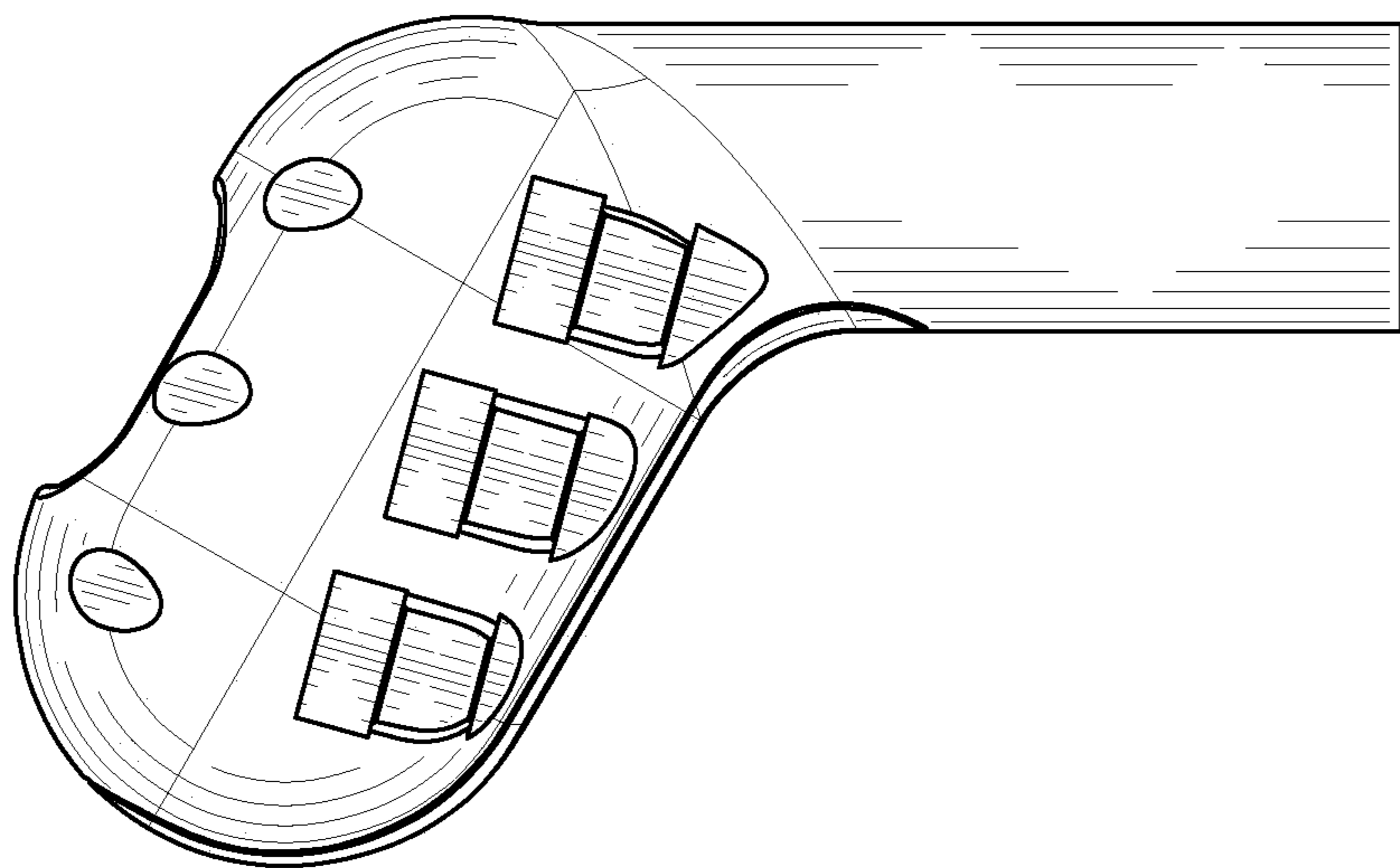


FIG. 14

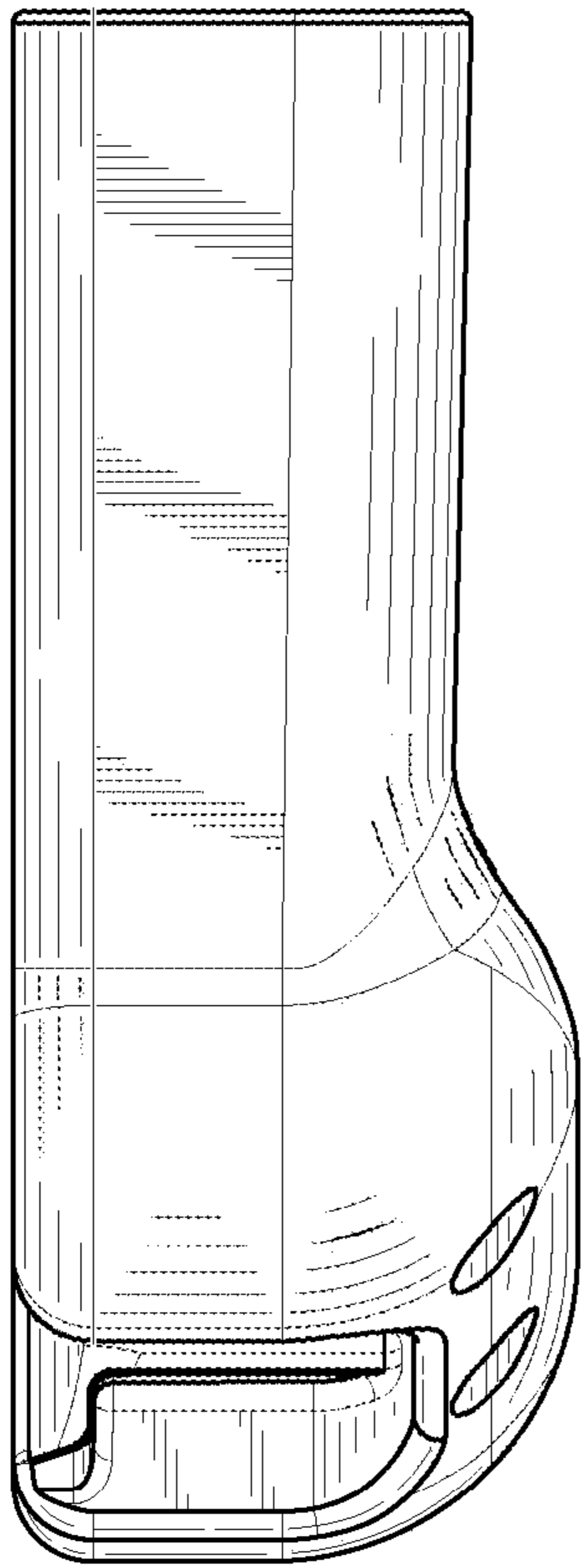


FIG. 15

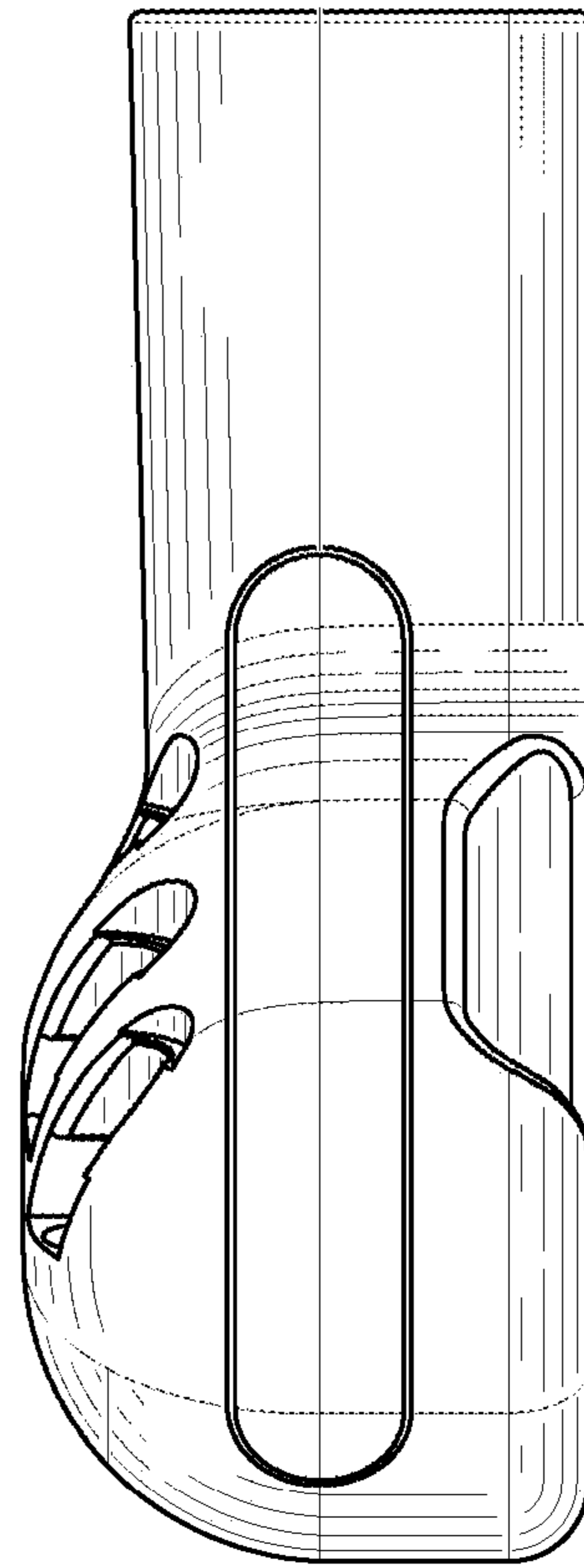


FIG. 16