



US00D966519S

(12) **United States Design Patent** (10) **Patent No.:** **US D966,519 S**
Lim (45) **Date of Patent:** **** Oct. 11, 2022**

(54) **STORAGE OF IMPLANT**
 (71) Applicant: **PLASMAPP CO., LTD.**, Daejeon (KR)
 (72) Inventor: **Youbong Lim**, Daejeon (KR)
 (73) Assignee: **PLASMAPP CO., LTD.**, Daejeon (KR)
 (**) Term: **15 Years**
 (21) Appl. No.: **29/760,886**
 (22) Filed: **Dec. 4, 2020**
 (51) **LOC (13) Cl.** **24-02**
 (52) **U.S. Cl.**
 USPC **D24/156**
 (58) **Field of Classification Search**
 USPC D24/155, 156; D9/715, 718
 CPC A61F 2/0095; A61F 2/1691; A61B 50/30;
 A61B 17/865
 See application file for complete search history.

2014/0127645 A1* 5/2014 Goldenberg A61B 17/86
 606/301
 2014/0202892 A1* 7/2014 Thome A61C 8/0087
 206/63.5
 2014/0311932 A1* 10/2014 Sakaguchi A61C 8/0087
 206/368
 2019/0091479 A1* 3/2019 Bonnet A61N 1/3756
 2020/0000559 A1* 1/2020 Chung A61C 8/0087
 2020/0275999 A1* 9/2020 Chelminski A61C 8/008
 2021/0153968 A1* 5/2021 Peterson A61B 50/30
 2021/0307889 A1* 10/2021 Kim A61L 2/202
 2022/0054177 A1* 2/2022 Carlson A61B 17/7082

* cited by examiner

Primary Examiner — Charles D Hanson

(74) *Attorney, Agent, or Firm* — Sughrue Mion, PLLC

(57) **CLAIM**

The ornamental design for a storage of implant, as shown and described.

DESCRIPTION

FIG. 1 is a perspective view of a storage of implant showing our new design;
 FIG. 2 is a front view thereof;
 FIG. 3 is a rear view thereof;
 FIG. 4 is a left-side view thereof;
 FIG. 5 is a right-side view thereof;
 FIG. 6 is a top plan view thereof;
 FIG. 7 is a bottom plan view thereof; and,
 FIG. 8 is an exploded perspective view thereof.
 This design is about a storage of implant for storing dental implants.

1 Claim, 7 Drawing Sheets

(56) **References Cited**

U.S. PATENT DOCUMENTS

4,856,648 A * 8/1989 Krueger A61C 8/0087
 206/229
 5,622,500 A * 4/1997 Niznick A61C 8/0048
 206/63.5
 D724,956 S * 3/2015 Johansson D9/715
 D731,169 S * 6/2015 Sakaguchi D3/203.1
 11,129,689 B2 * 9/2021 Peterson A61B 17/862
 D947,036 S * 3/2022 Johansson D9/730
 2003/0045930 A1* 3/2003 Nguyen A61F 2/16
 606/107
 2010/0065443 A1* 3/2010 Park A61C 8/0087
 206/63.5

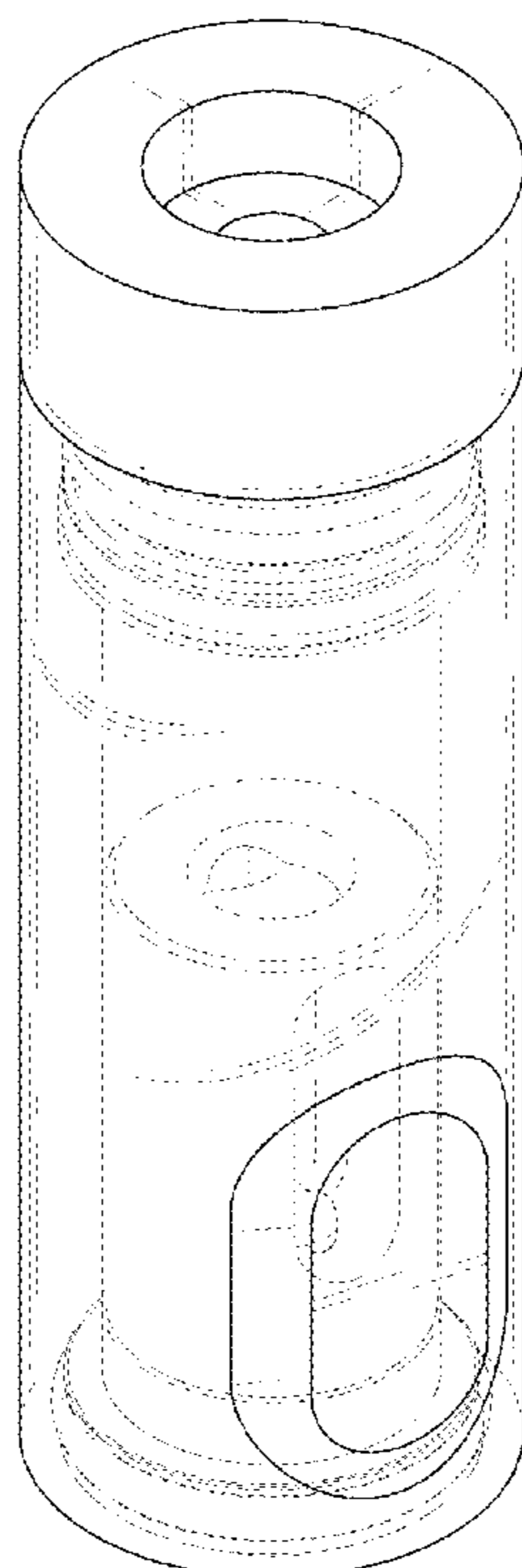


FIG.1

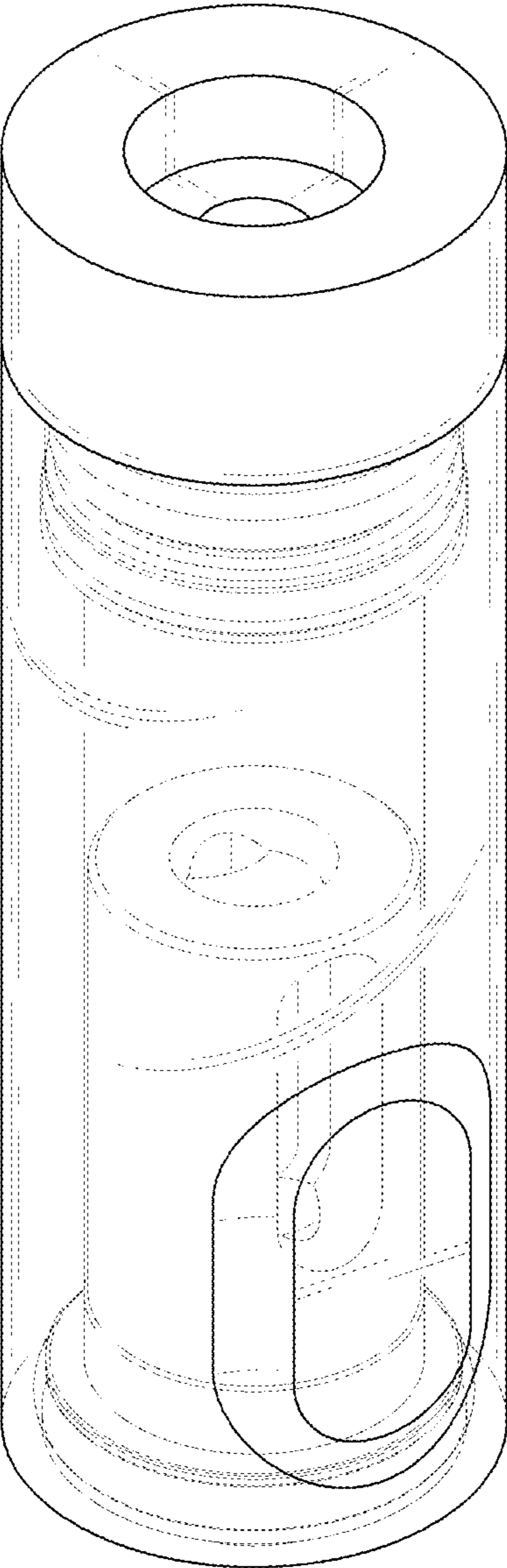


FIG.2

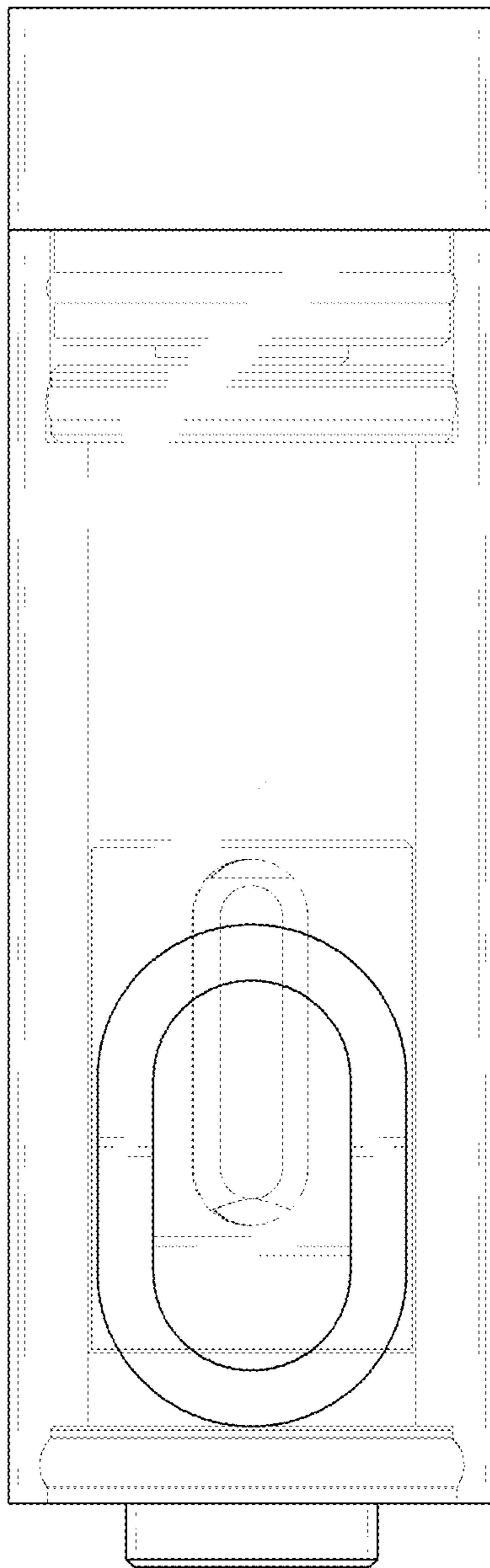


FIG.3

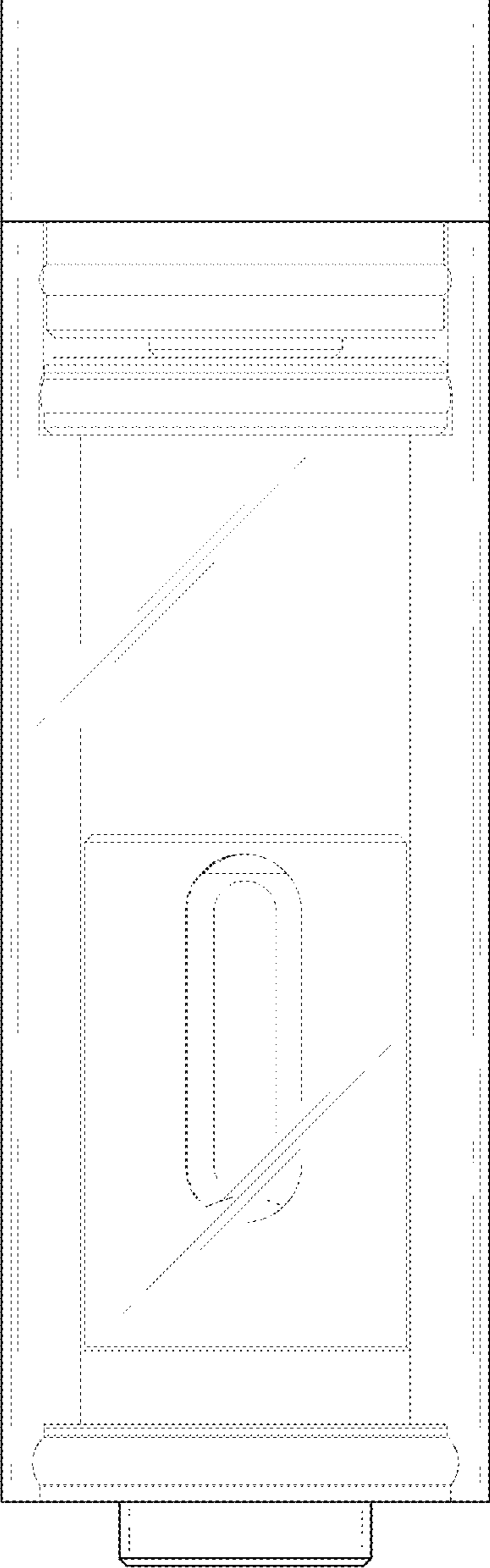


FIG.4

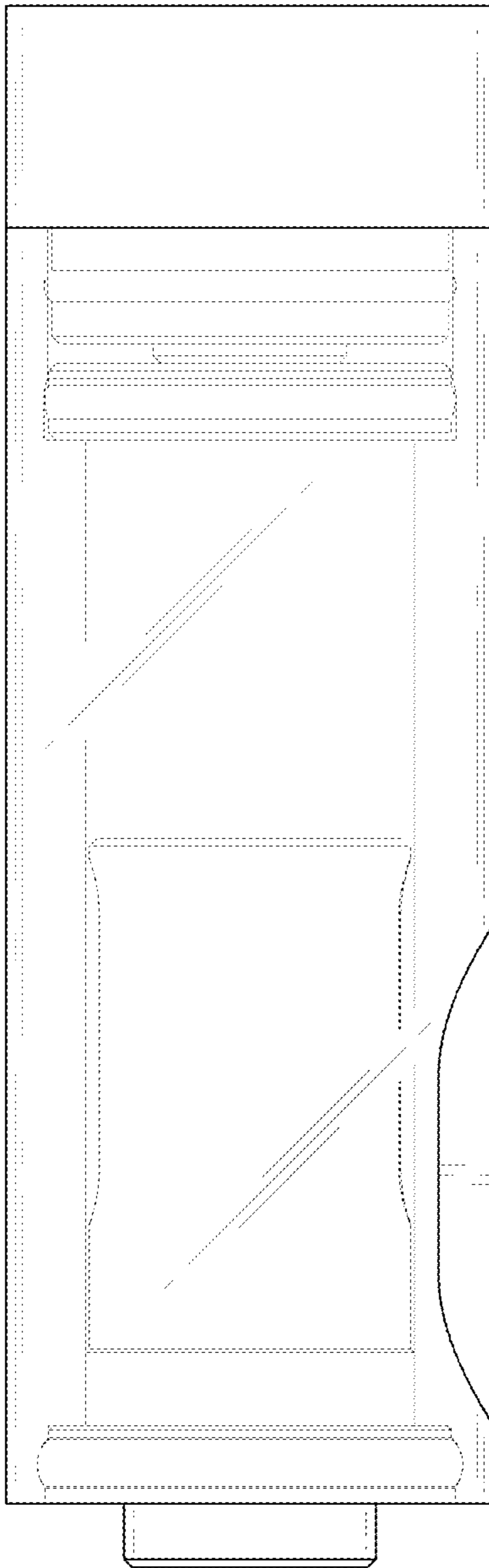


FIG.5

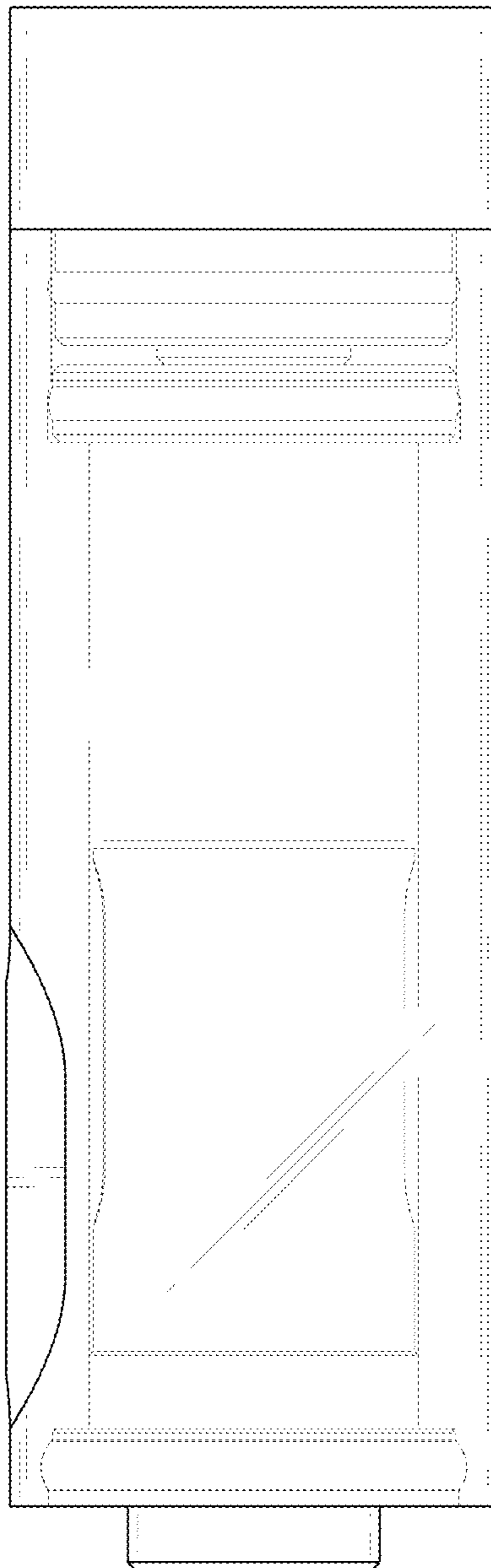


FIG.6

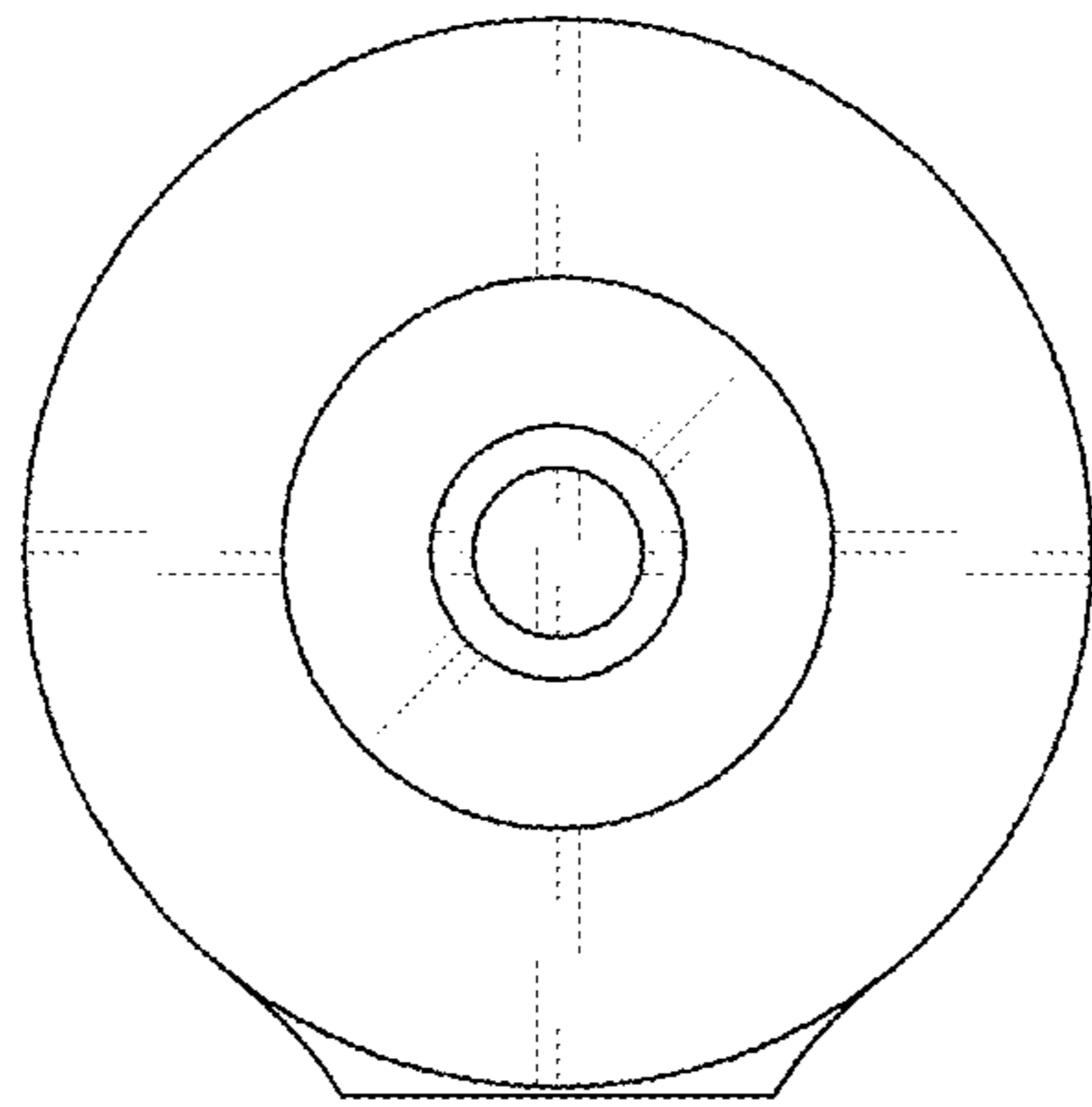


FIG.7

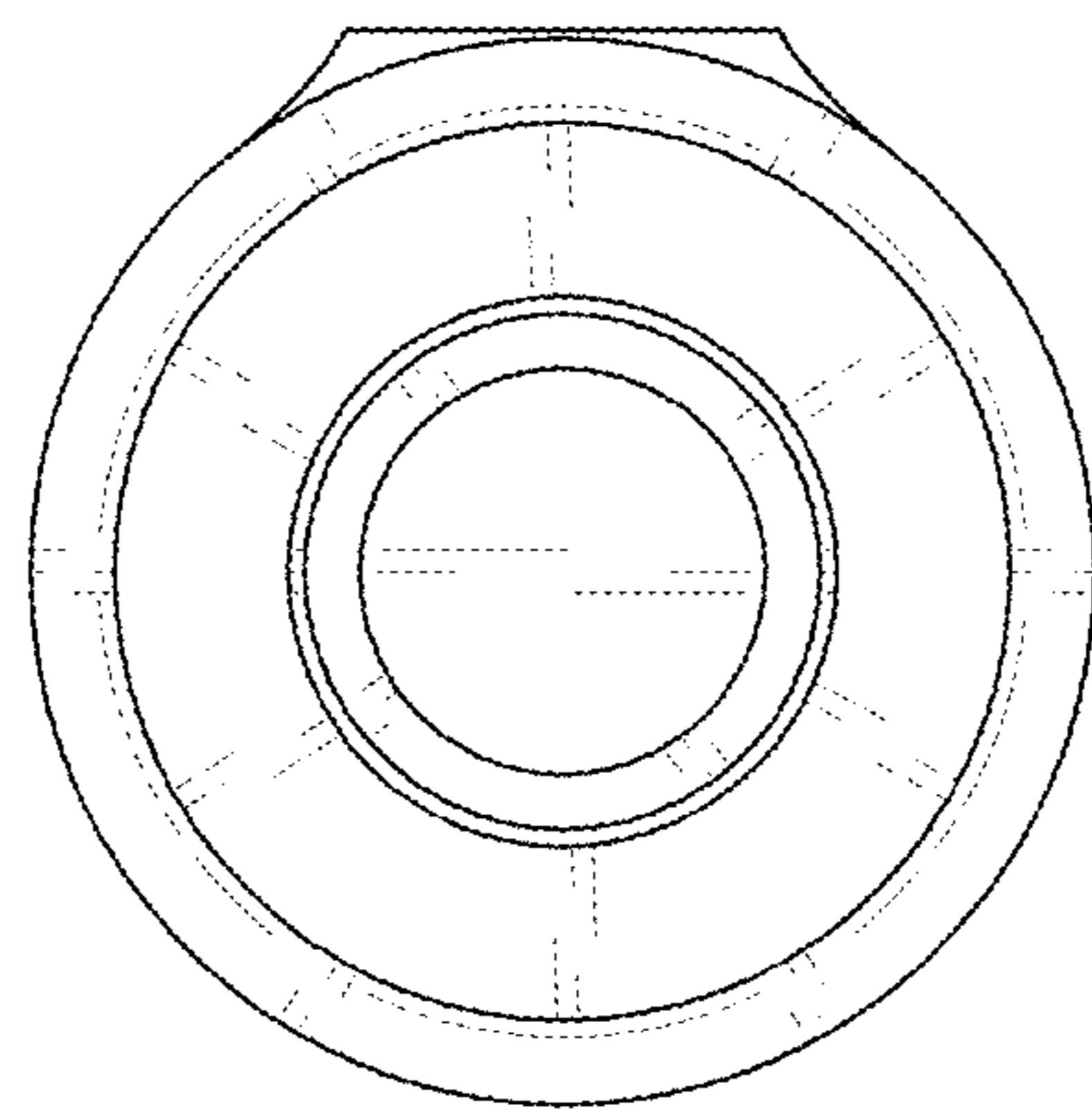


FIG.8

