

US00D966518S

(12) **United States Design Patent** (10) **Patent No.:** **US D966,518 S**
Lim (45) **Date of Patent:** **** Oct. 11, 2022**

(54) **STORAGE OF IMPLANT**
(71) Applicant: **PLASMAPP CO., LTD.**, Daejeon (KR)
(72) Inventor: **Youbong Lim**, Daejeon (KR)
(73) Assignee: **PLASMAPP CO., LTD.**, Daejeon (KR)
(**) Term: **15 Years**
(21) Appl. No.: **29/760,865**
(22) Filed: **Dec. 4, 2020**

(30) **Foreign Application Priority Data**
Jul. 13, 2020 (KR) 30-2020-0032056
(51) **LOC (13) Cl.** **24-02**
(52) **U.S. Cl.**
USPC **D24/156; D9/718**
(58) **Field of Classification Search**
USPC D24/155, 156; D9/715, 718
CPC A61F 2/0095; A61F 2/1691; A61B 50/30;
A61B 17/865
See application file for complete search history.

(56) **References Cited**
U.S. PATENT DOCUMENTS
4,856,648 A * 8/1989 Krueger A61C 8/0087
206/229
5,622,500 A * 4/1997 Niznick A61C 8/0048
206/63.5
D724,956 S * 3/2015 Johansson D9/715
D731,169 S * 6/2015 Sakaguchi D3/203.1
11,129,689 B2 * 9/2021 Peterson A61B 17/862
D947,036 S * 3/2022 Johansson D9/730
2003/0045930 A1 * 3/2003 Nguyen A61F 2/16
606/107

2010/0065443 A1 * 3/2010 Park A61C 8/0087
206/63.5
2014/0127645 A1 * 5/2014 Goldenberg A61B 17/86
606/301
2014/0202892 A1 * 7/2014 Thome A61C 8/0087
206/63.5
2014/0311932 A1 * 10/2014 Sakaguchi A61C 8/0087
206/368
2019/0091479 A1 * 3/2019 Bonnet A61N 1/3756
2020/0000559 A1 * 1/2020 Chung A61C 8/0087
2020/0275999 A1 * 9/2020 Chelminski A61C 8/008
2021/0153968 A1 * 5/2021 Peterson A61B 50/30
2021/0307889 A1 * 10/2021 Kim A61L 2/202
2022/0054177 A1 * 2/2022 Carlson A61B 17/7082

* cited by examiner
Primary Examiner — Charles D Hanson
(74) *Attorney, Agent, or Firm* — Sughrue Mion, PLLC

(57) **CLAIM**
The ornamental design for a storage of implant, as shown and described.

DESCRIPTION
FIG. 1 is a perspective view of a storage of implant showing our new design;
FIG. 2 is a front view thereof;
FIG. 3 is a rear view thereof;
FIG. 4 is a left-side view thereof;
FIG. 5 is a right-side view thereof;
FIG. 6 is a top plan view thereof;
FIG. 7 is a bottom plan view thereof; and,
FIG. 8 is an exploded perspective view thereof.
This design is about a storage of implant for storing dental implants.

1 Claim, 7 Drawing Sheets

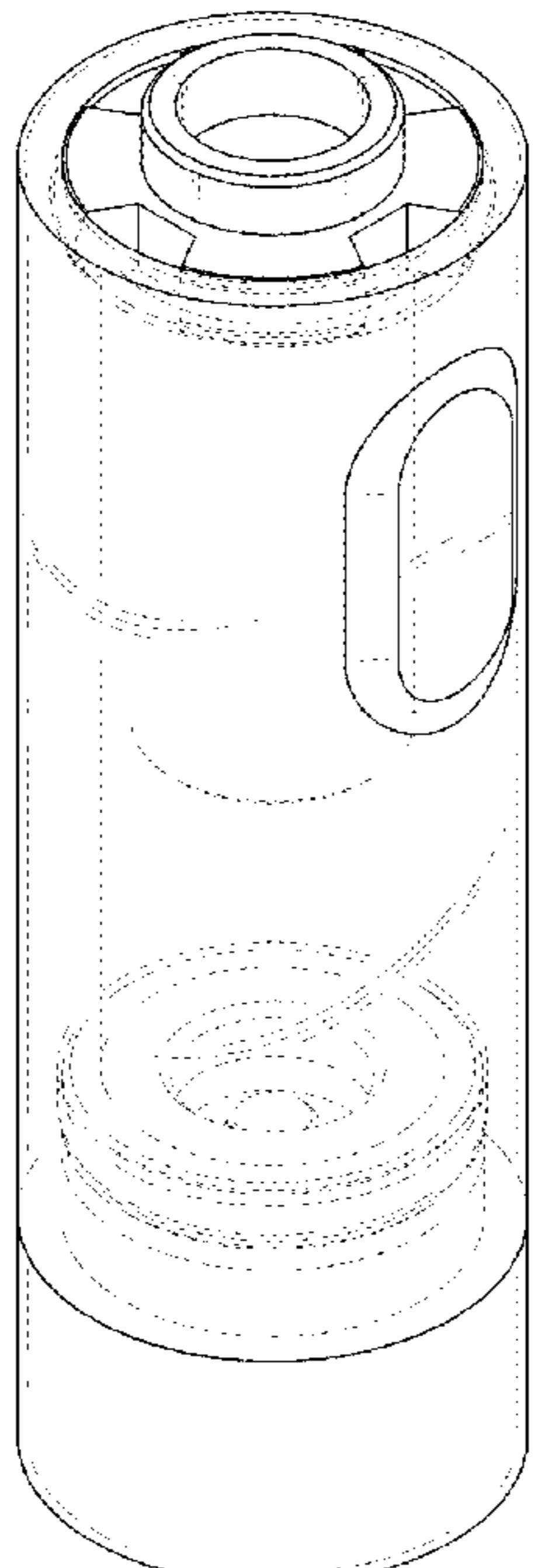


FIG.1

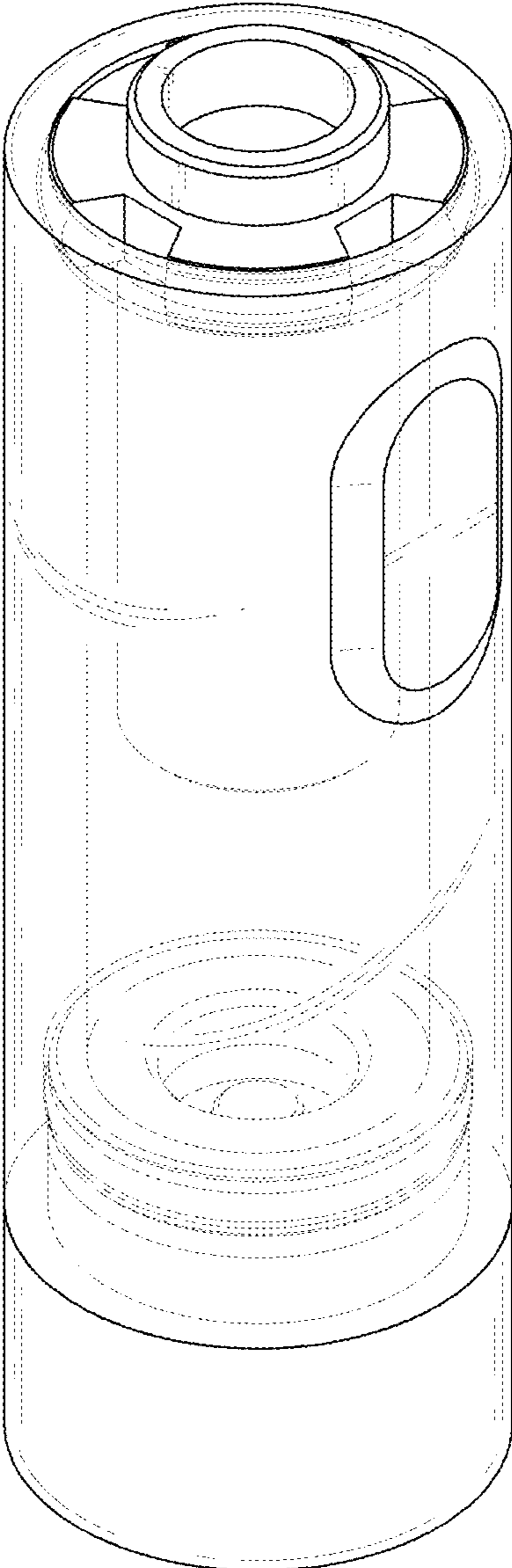


FIG.2

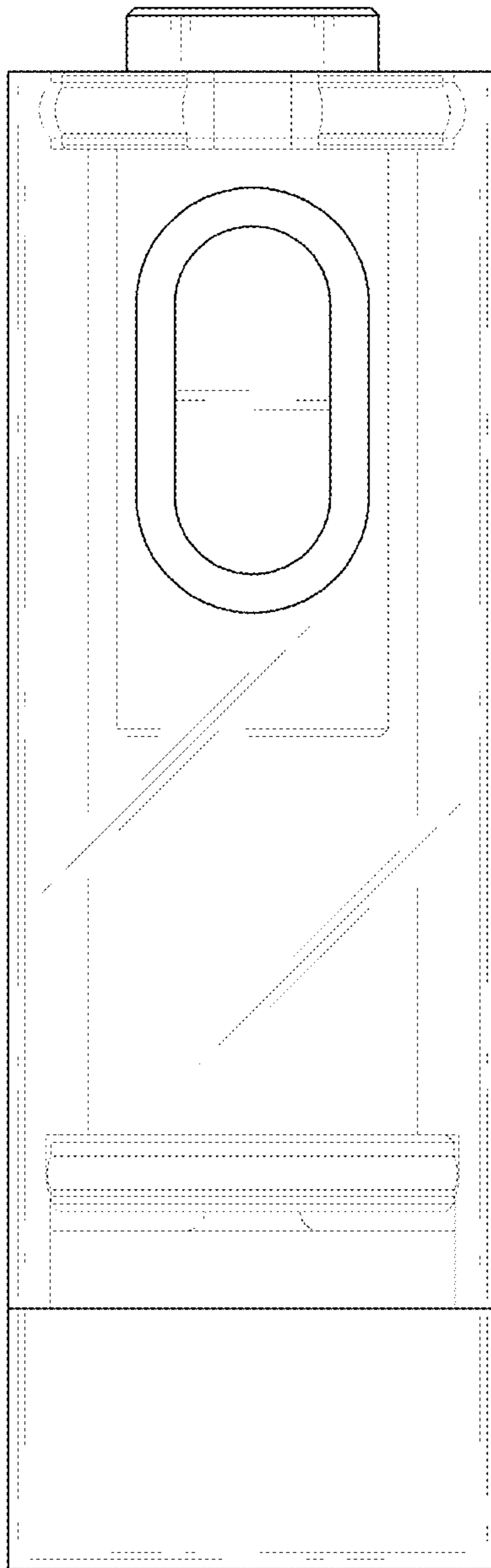


FIG.3

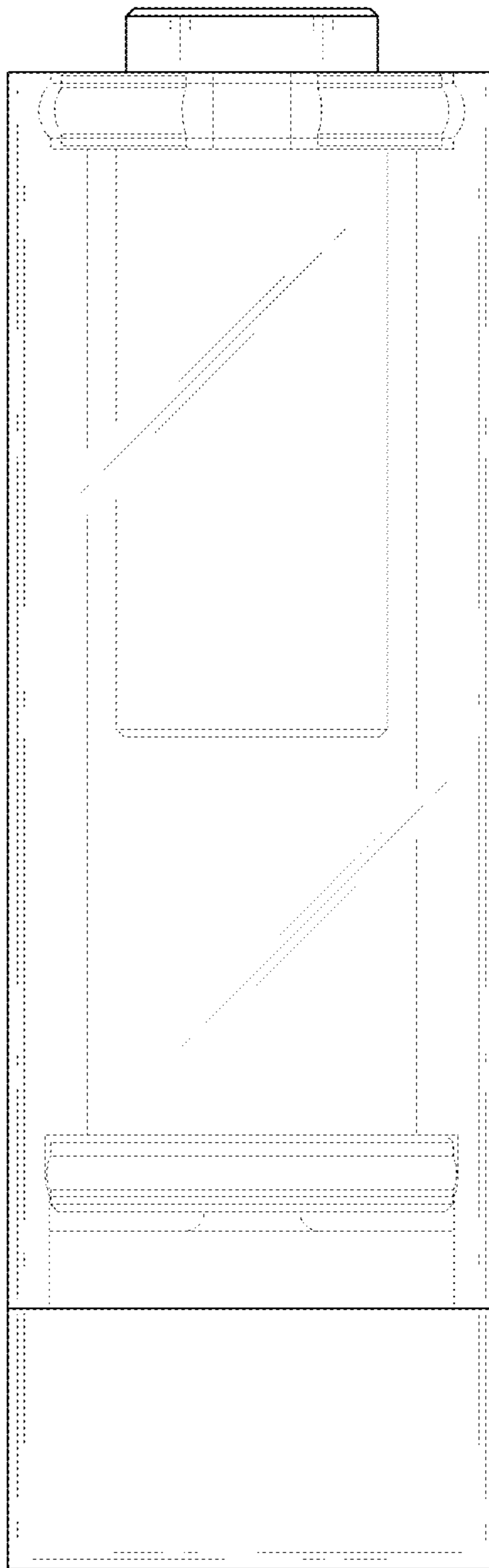


FIG.4

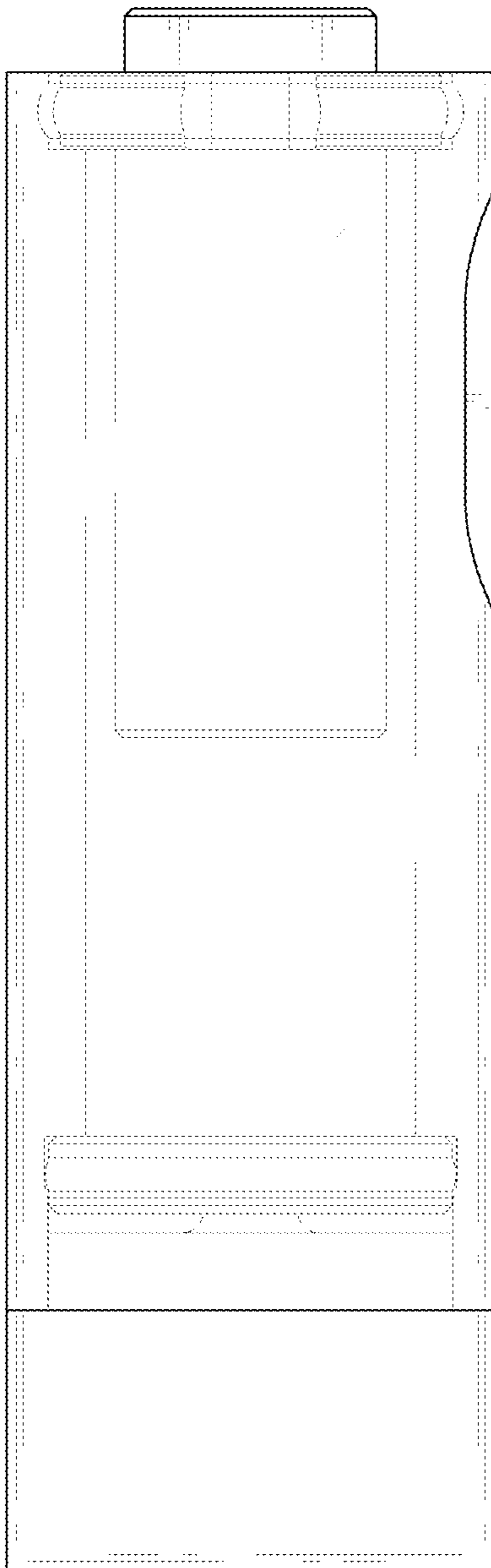


FIG.5

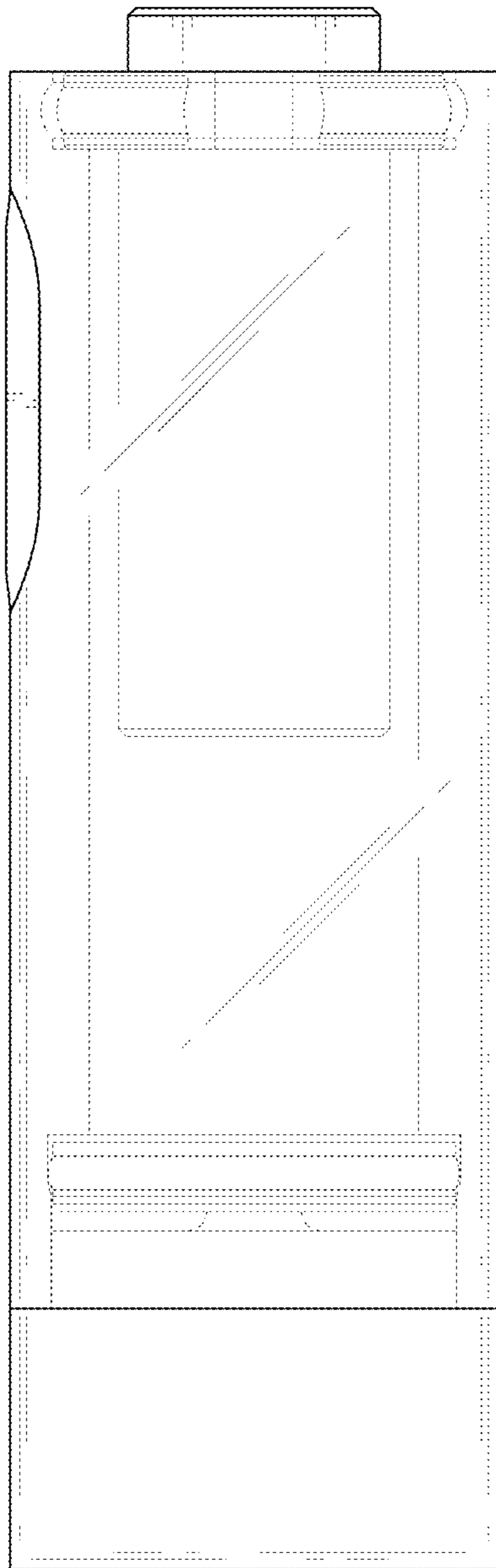


FIG.6

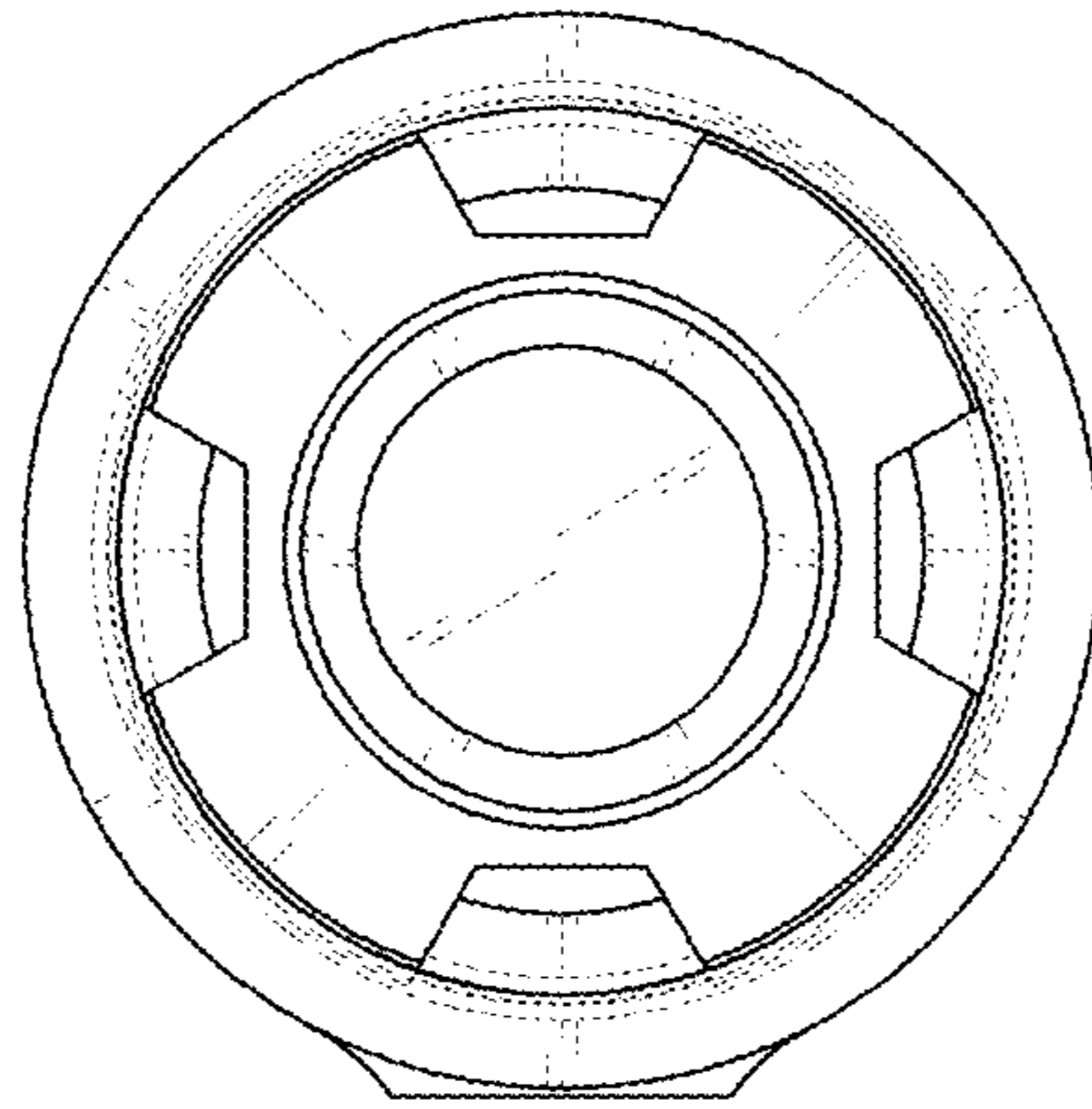


FIG.7

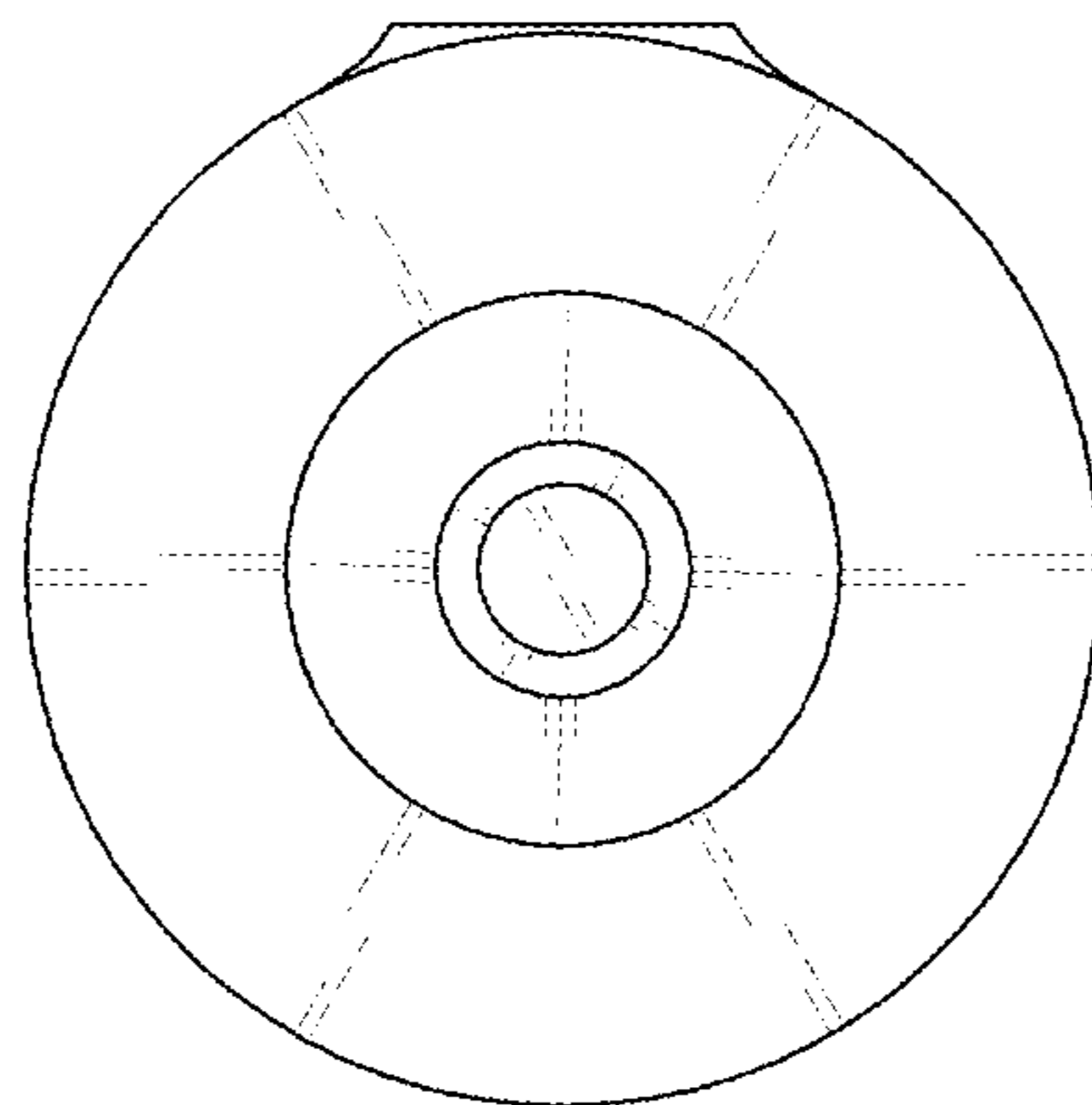


FIG.8

