

US00D966517S

(12) **United States Design Patent**
Nagasawa et al.

(10) **Patent No.:** **US D966,517 S**

(45) **Date of Patent:** **** Oct. 11, 2022**

(54) **HOLDER FOR FIXING DENTAL BLOCK**

(71) Applicant: **Tokuyama Dental Corporation**, Tokyo (JP)

(72) Inventors: **Yuko Nagasawa**, Tokyo (JP); **Masaaki Ushioda**, Tokyo (JP)

(73) Assignee: **Tokuyama Dental Corporation**, Tokyo (JP)

(**) Term: **15 Years**

(21) Appl. No.: **29/699,882**

(22) Filed: **Jul. 30, 2019**

(51) **LOC (13) Cl.** **24-03**

(52) **U.S. Cl.**
USPC **D24/156**

(58) **Field of Classification Search**
USPC D8/70, 71, 7, 354; D15/140, 143, 147; D24/156
CPC . B26F 6/021; B26F 6/029; B27C 5/10; A61C 13/225; A61C 8/00; A61C 8/0089; A61C 8/0069; A61C 8/0054; A61C 8/0096; A61C 8/0039; A61C 8/0063; A61C 8/006; A61C 8/0001; A61C 8/0012; A61C 8/0075; A61C 8/0083
See application file for complete search history.

(56) **References Cited**

U.S. PATENT DOCUMENTS

D291,274 S *	8/1987	Garner	D8/46
D360,980 S *	8/1995	Noniewicz	D8/354
D379,420 S *	5/1997	Standlee	D8/70
D573,259 S *	7/2008	Park	D8/387
D585,732 S *	2/2009	Hagleitner	D8/499
D594,305 S *	6/2009	Gyder	D8/70
D811,843 S *	3/2018	Matsui	D8/70
D868,255 S *	11/2019	Azuma	D24/156
D868,256 S *	11/2019	Yokohara	D24/156
D868,257 S *	11/2019	Akiyama	D24/156

D925,317 S *	7/2021	Kai	D24/156
D946,991 S *	3/2022	Damron	D7/412
2022/0054241 A1*	2/2022	Nagasawa	A61C 13/0004

* cited by examiner

Primary Examiner — Nathan M Johnston
(74) *Attorney, Agent, or Firm* — Ziegler IP Law Group, LLC

(57) **CLAIM**

The ornamental design for a holder for fixing dental block, as shown and described.

DESCRIPTION

FIG. 1 is a top perspective view of a first embodiment of a holder for fixing dental block showing the new design; FIG. 2 is a bottom perspective view thereof; FIG. 3 is a front view thereof; FIG. 4 is a rear view thereof; FIG. 5 is a right side view thereof; FIG. 6 is a left side view thereof; FIG. 7 is a top plan view thereof; FIG. 8 is a bottom plan view thereof; FIG. 9 is a top perspective view of second embodiment of a holder for fixing dental block showing the new design; FIG. 10 is a bottom perspective view thereof; FIG. 11 is a front view thereof; FIG. 12 is a rear view thereof; FIG. 13 is a right side view thereof; FIG. 14 is a left side view thereof; FIG. 15 is a top plan view thereof; and, FIG. 16 is a bottom plan view thereof.

The broken lines show portions of the holder for fixing dental block that form no part of the claimed design. The lines consisting of long lines and dots indicate conceptual border lines between the claimed portion and the disclaimed portion.

1 Claim, 16 Drawing Sheets

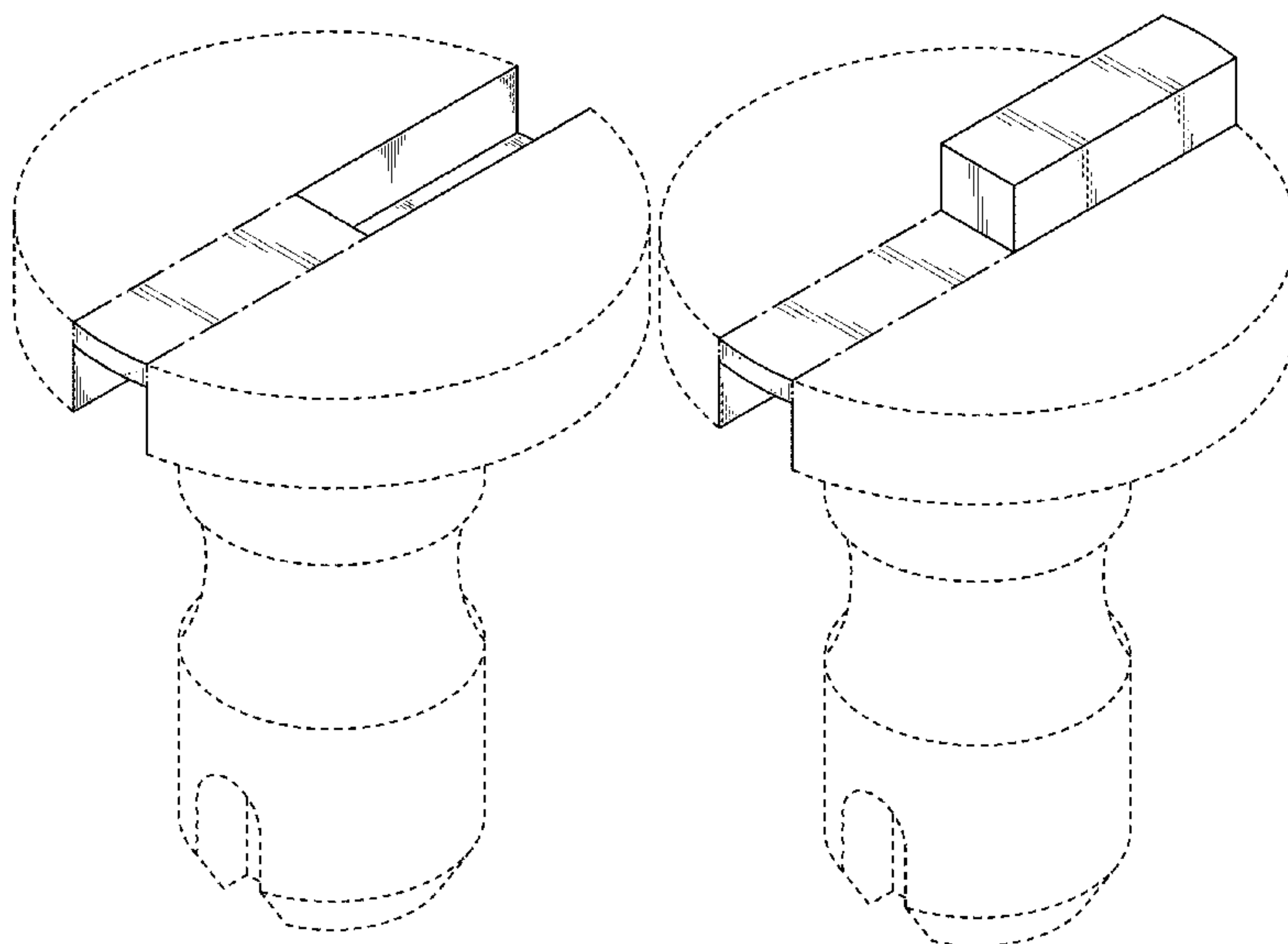


FIG. 1

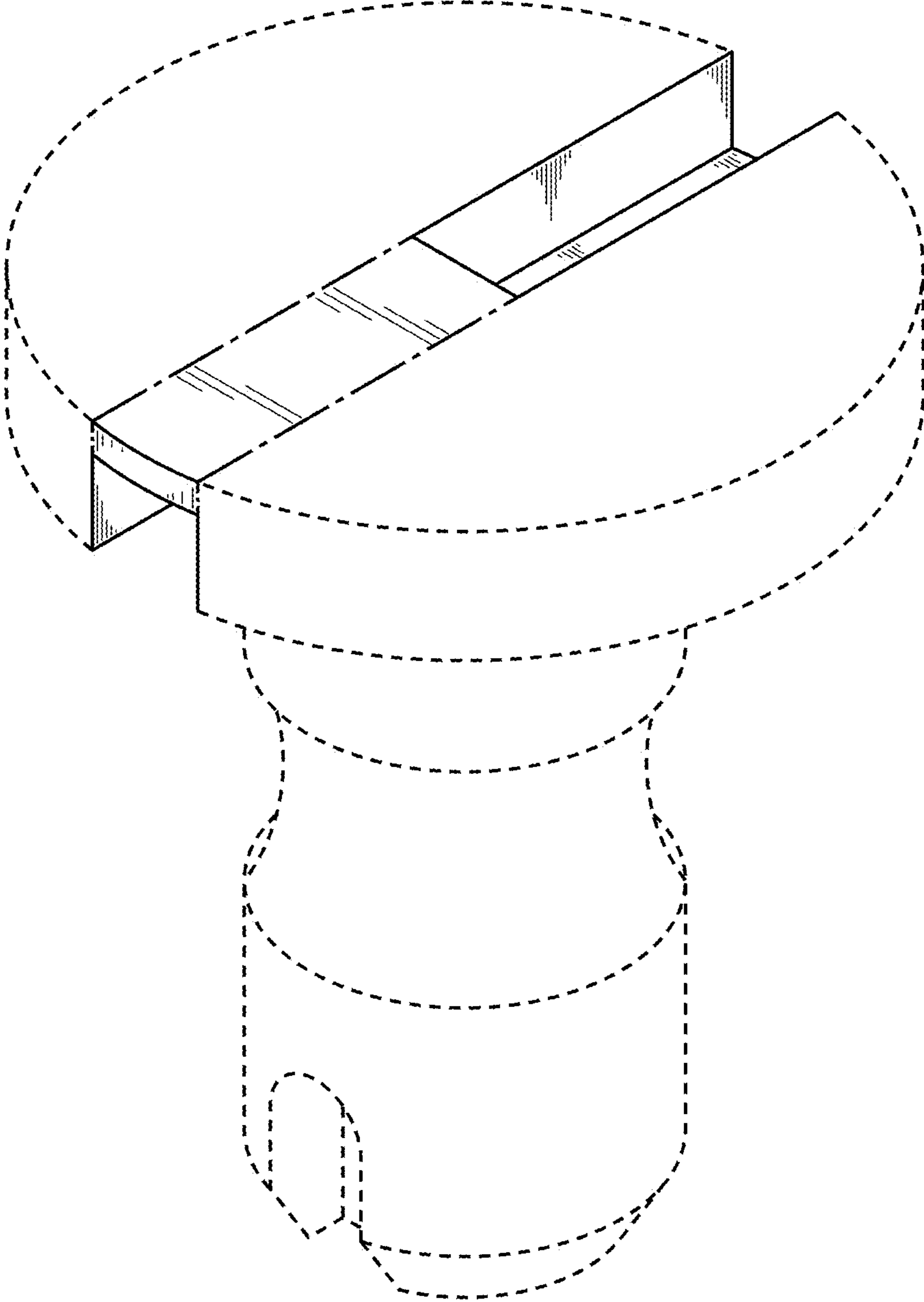


FIG. 2

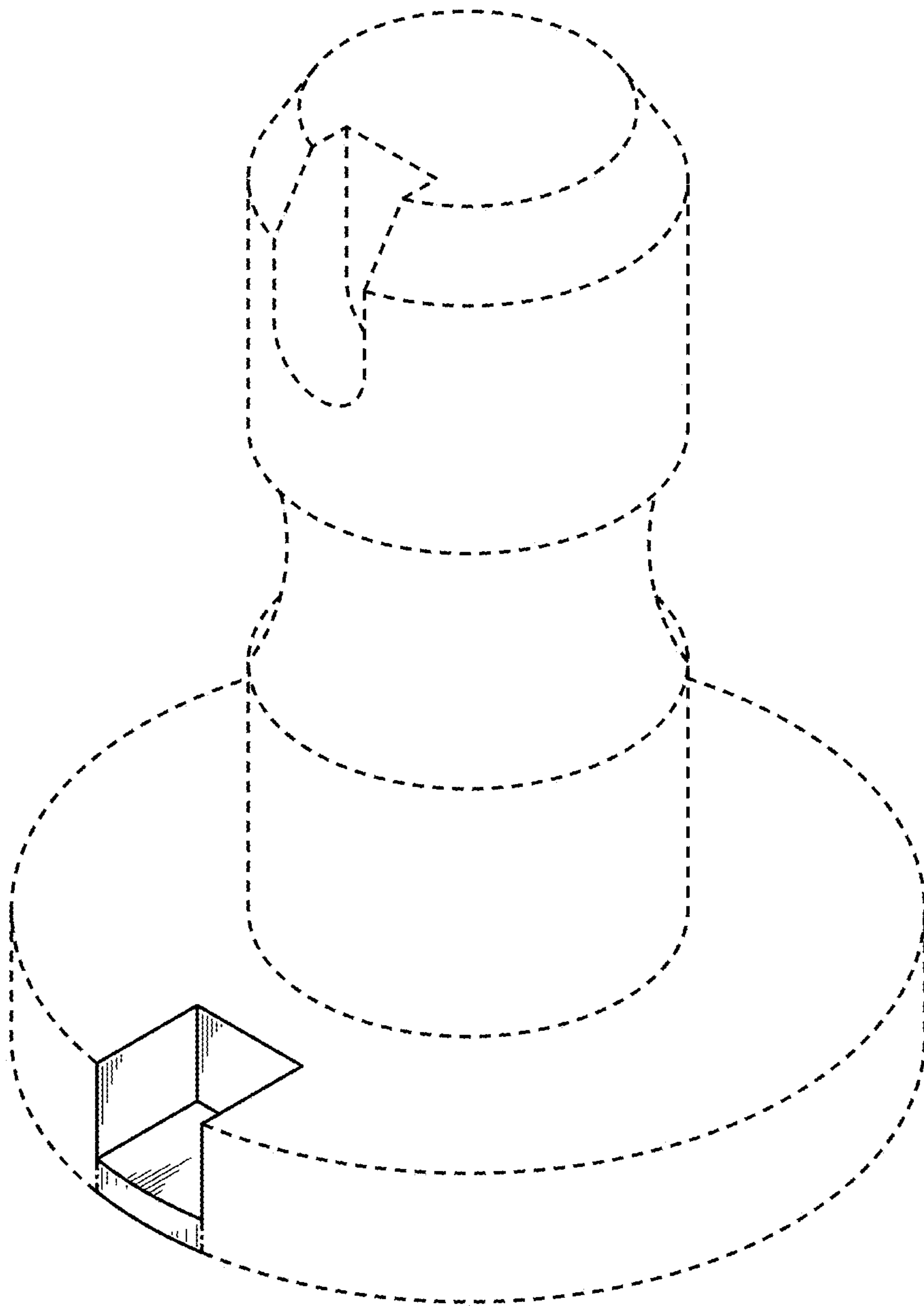


FIG. 3

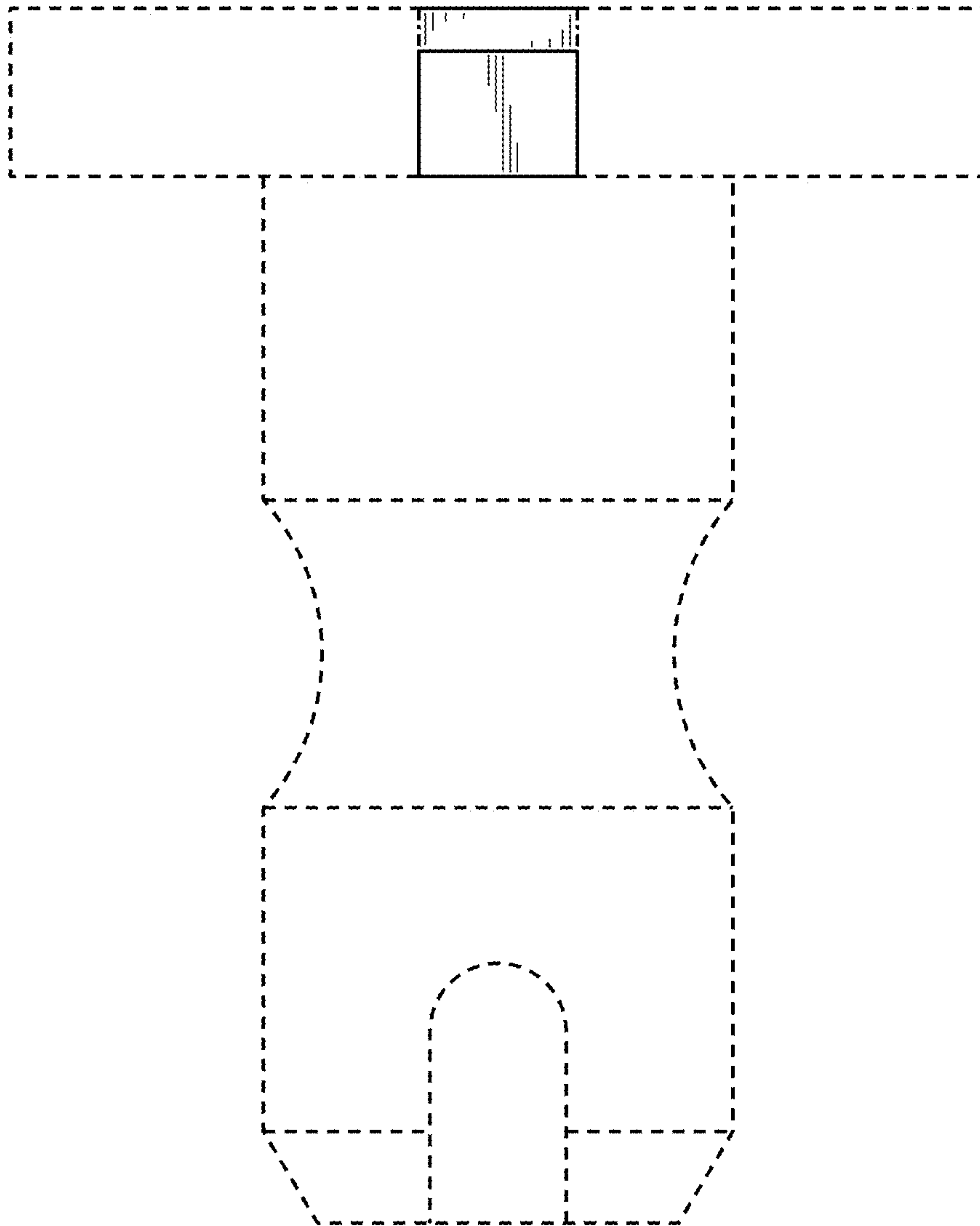


FIG. 4

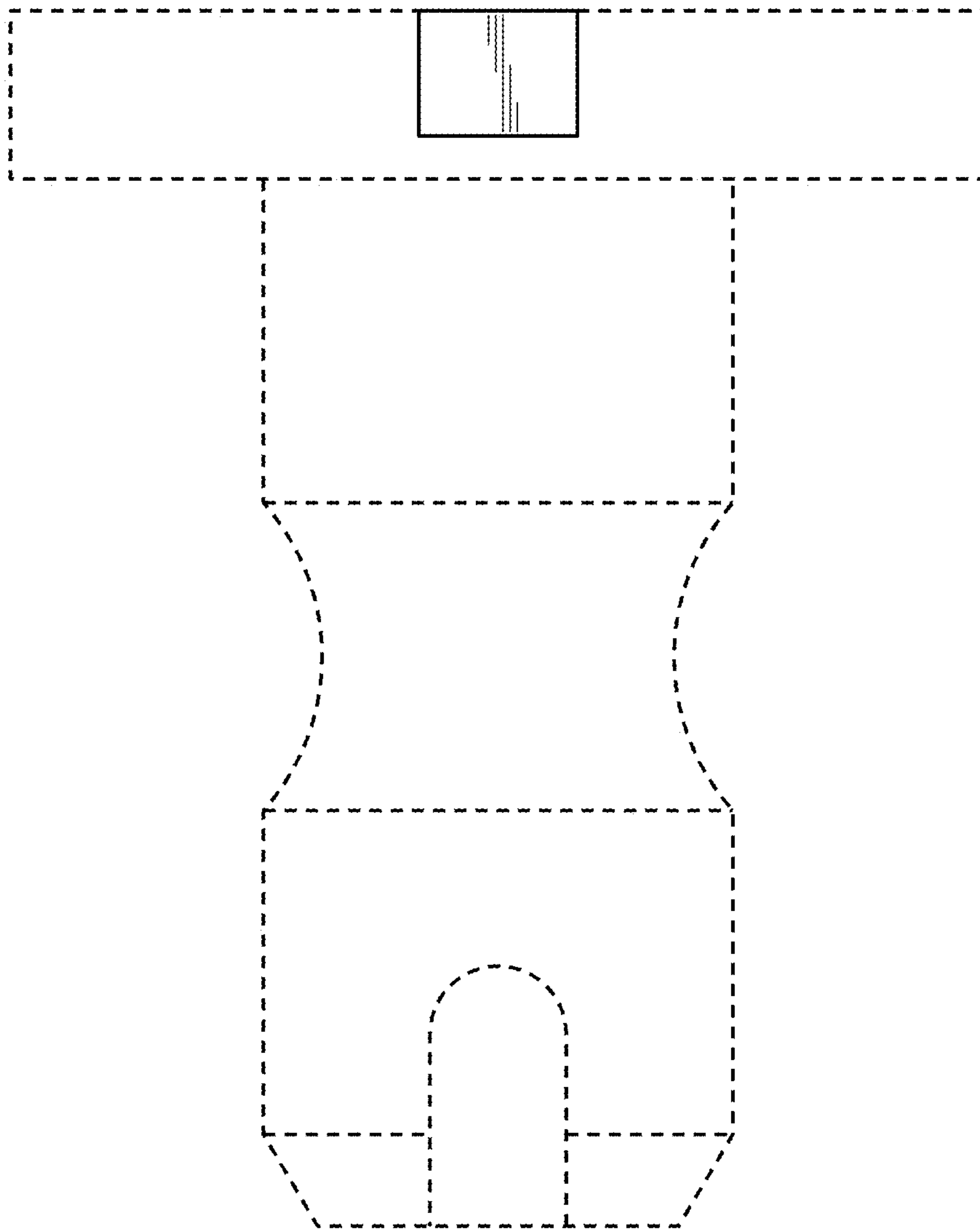


FIG. 5

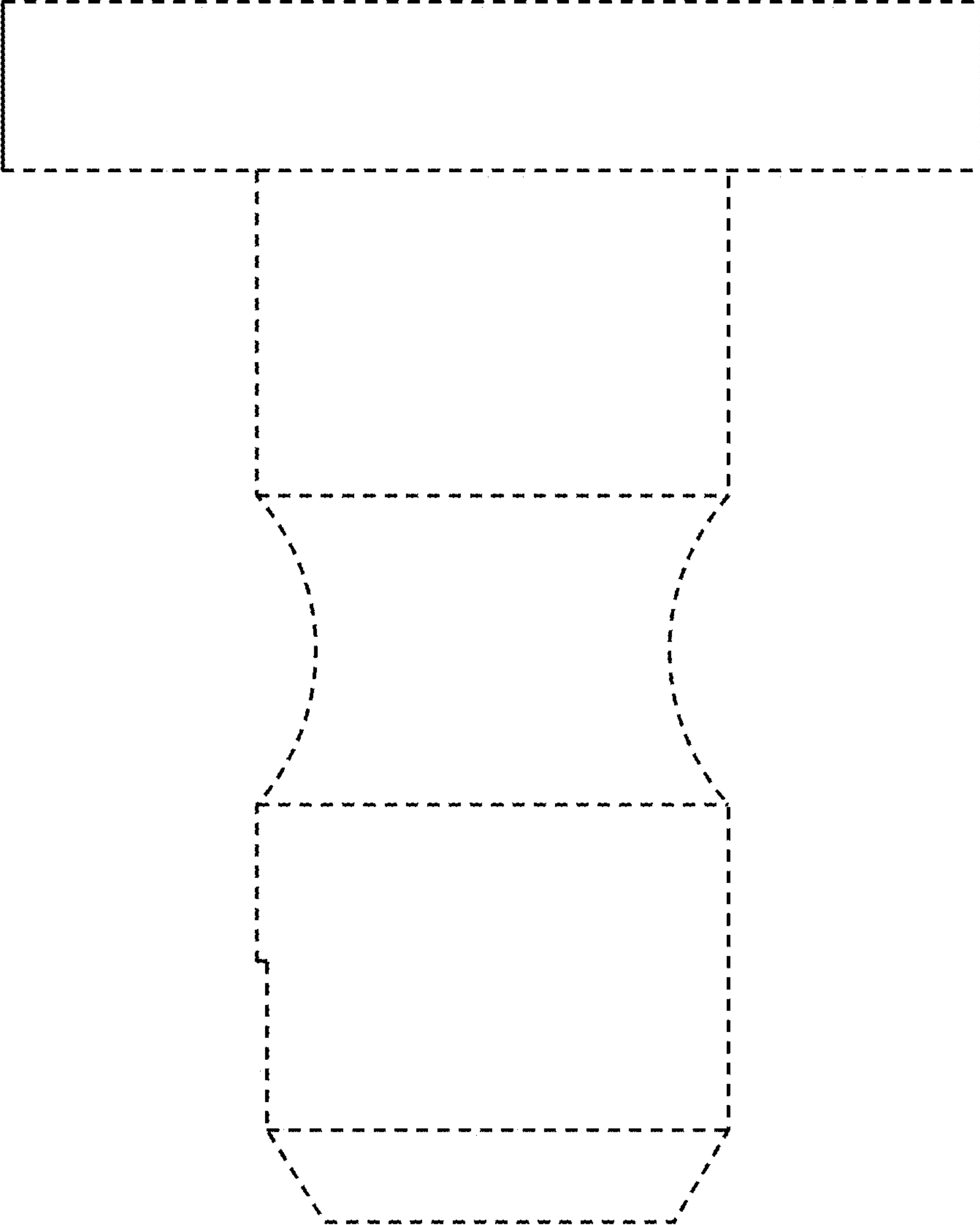


FIG. 6

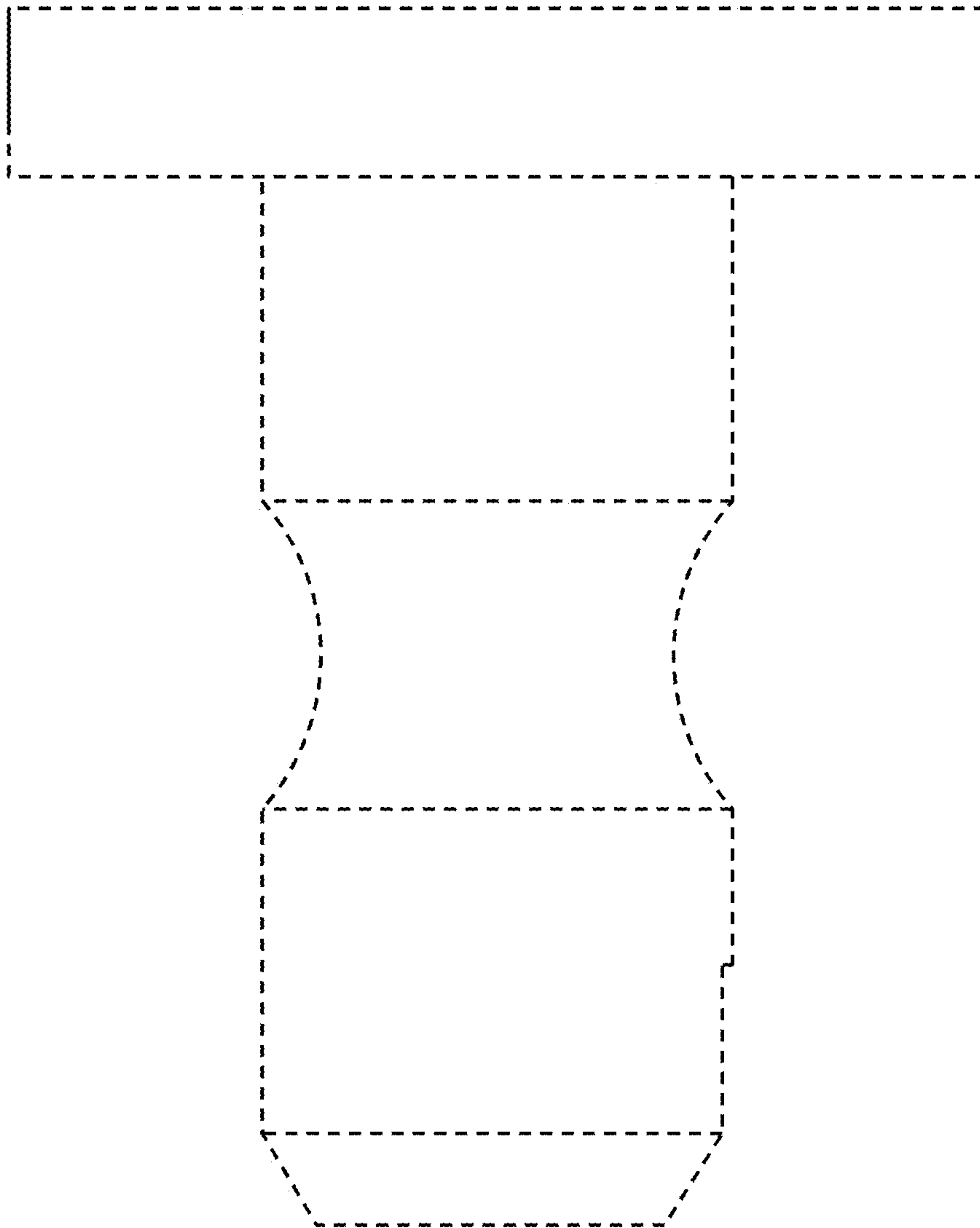


FIG. 7

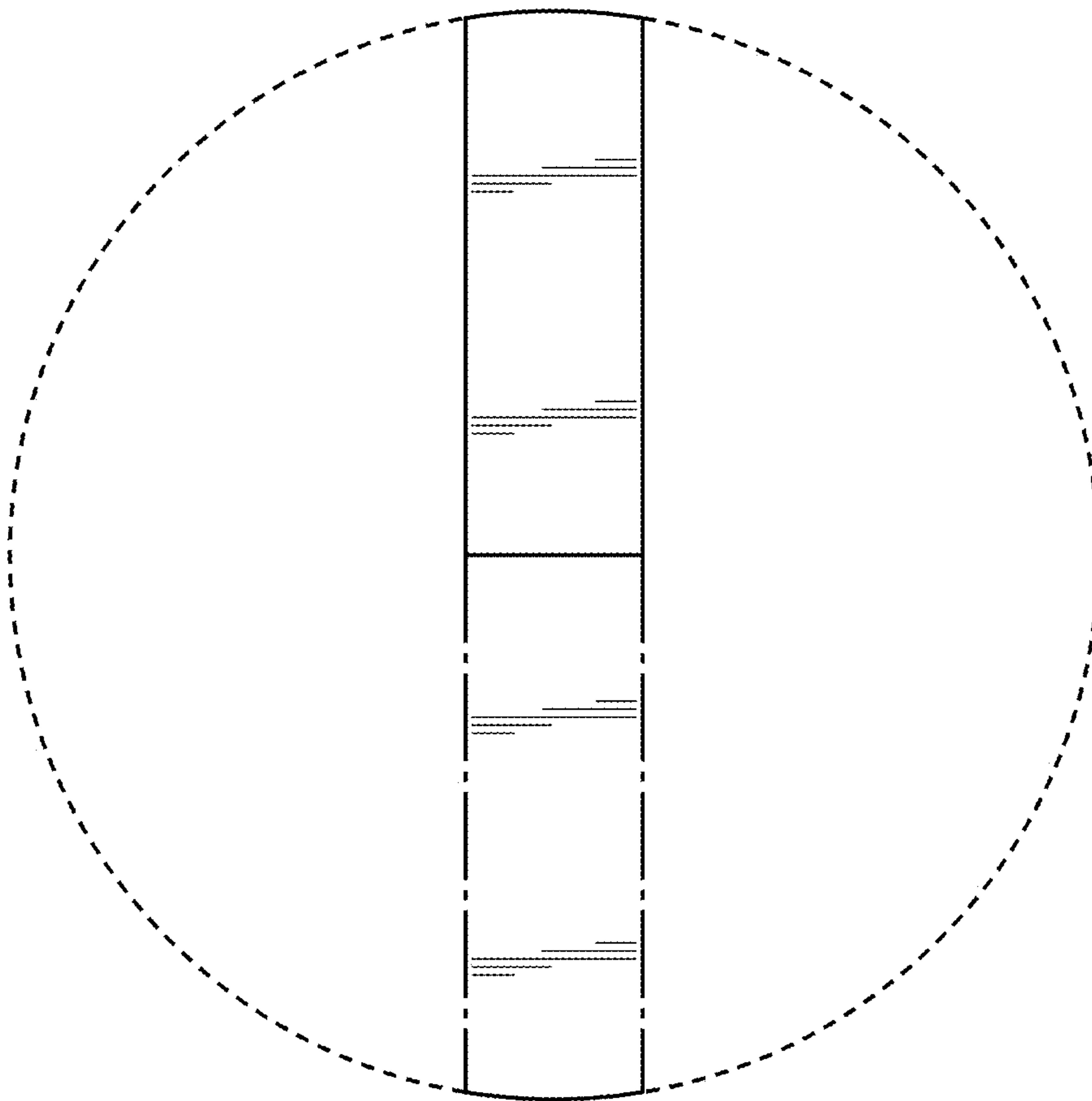


FIG. 8

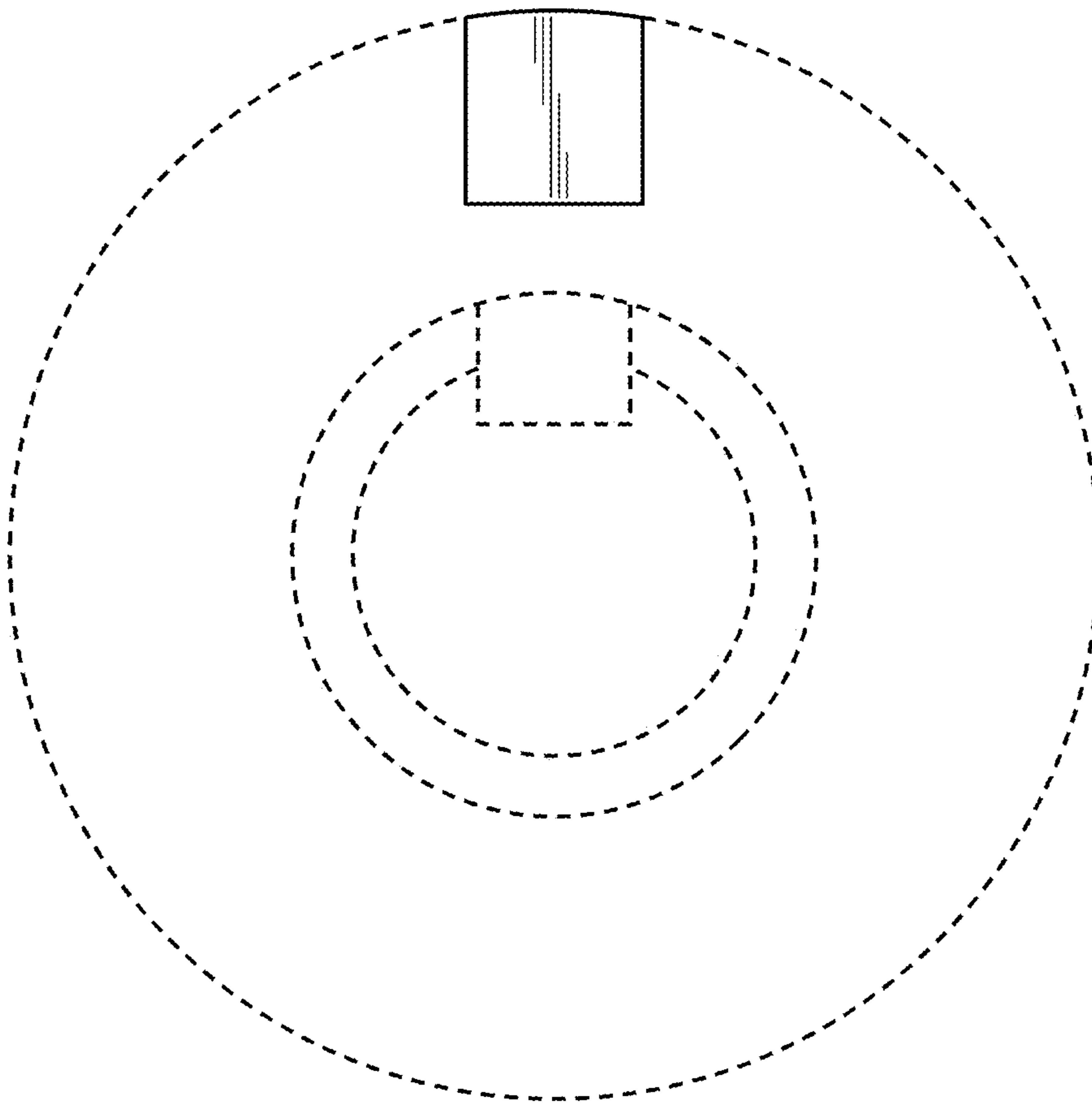


FIG. 9

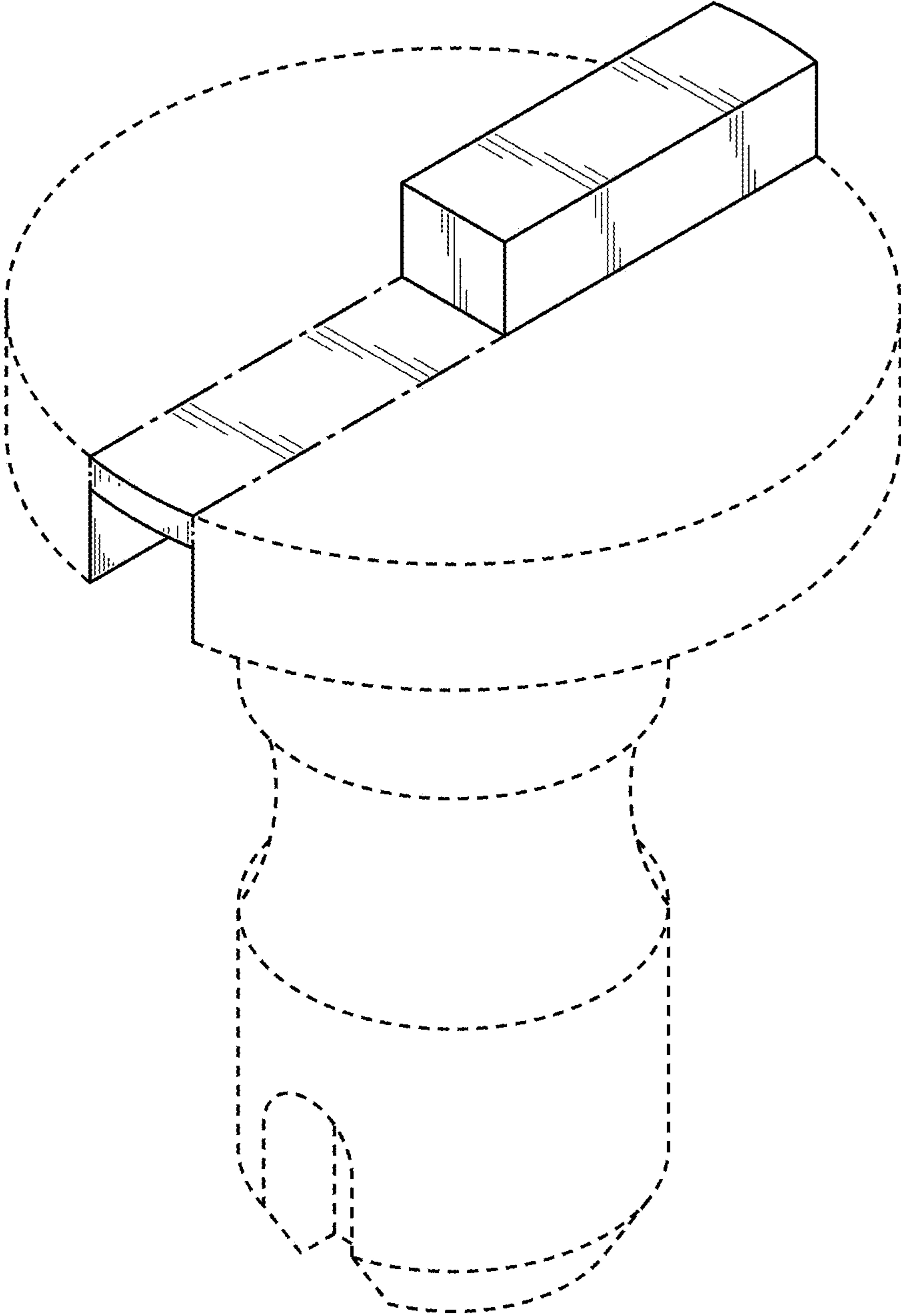


FIG. 10

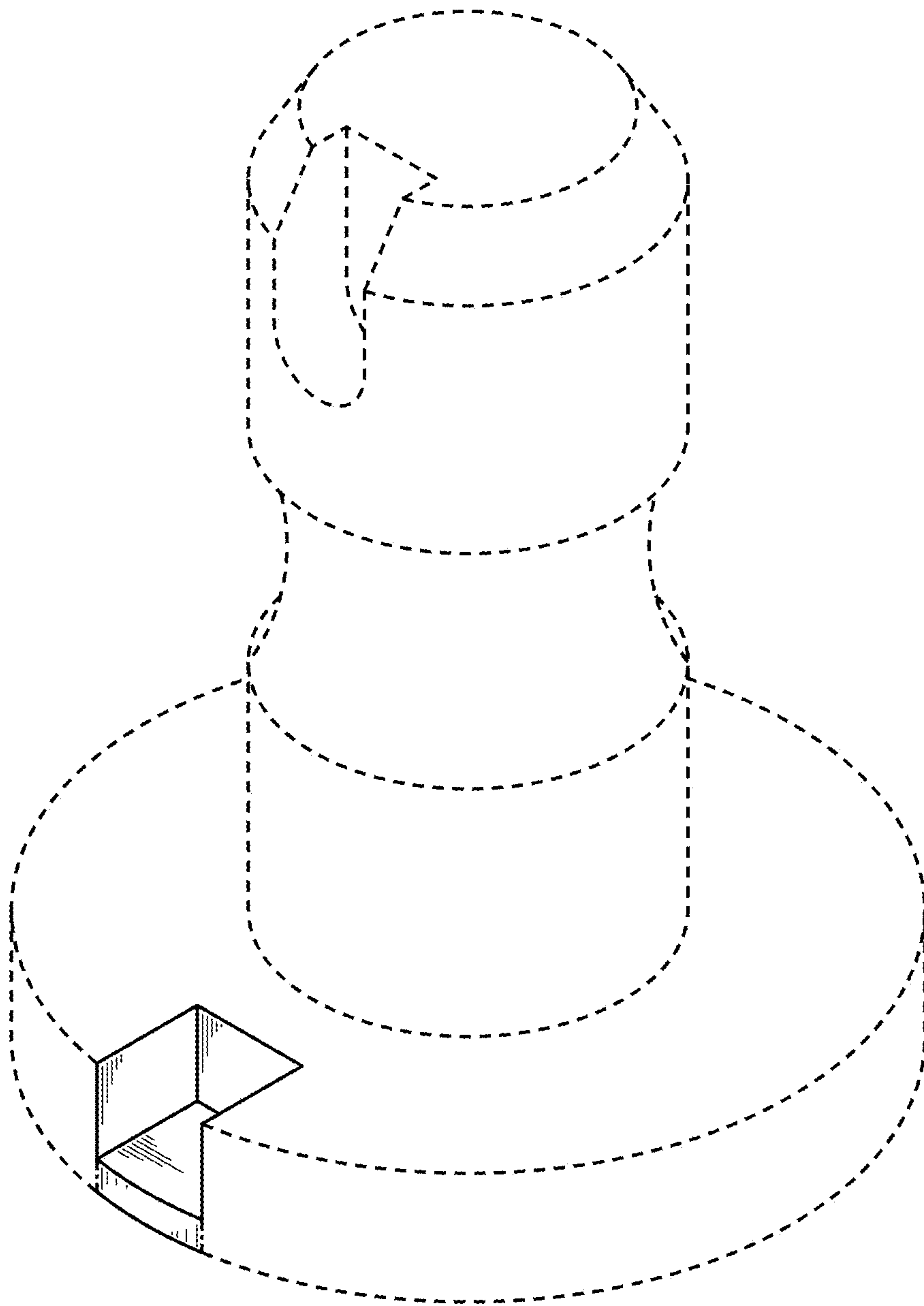


FIG. 11

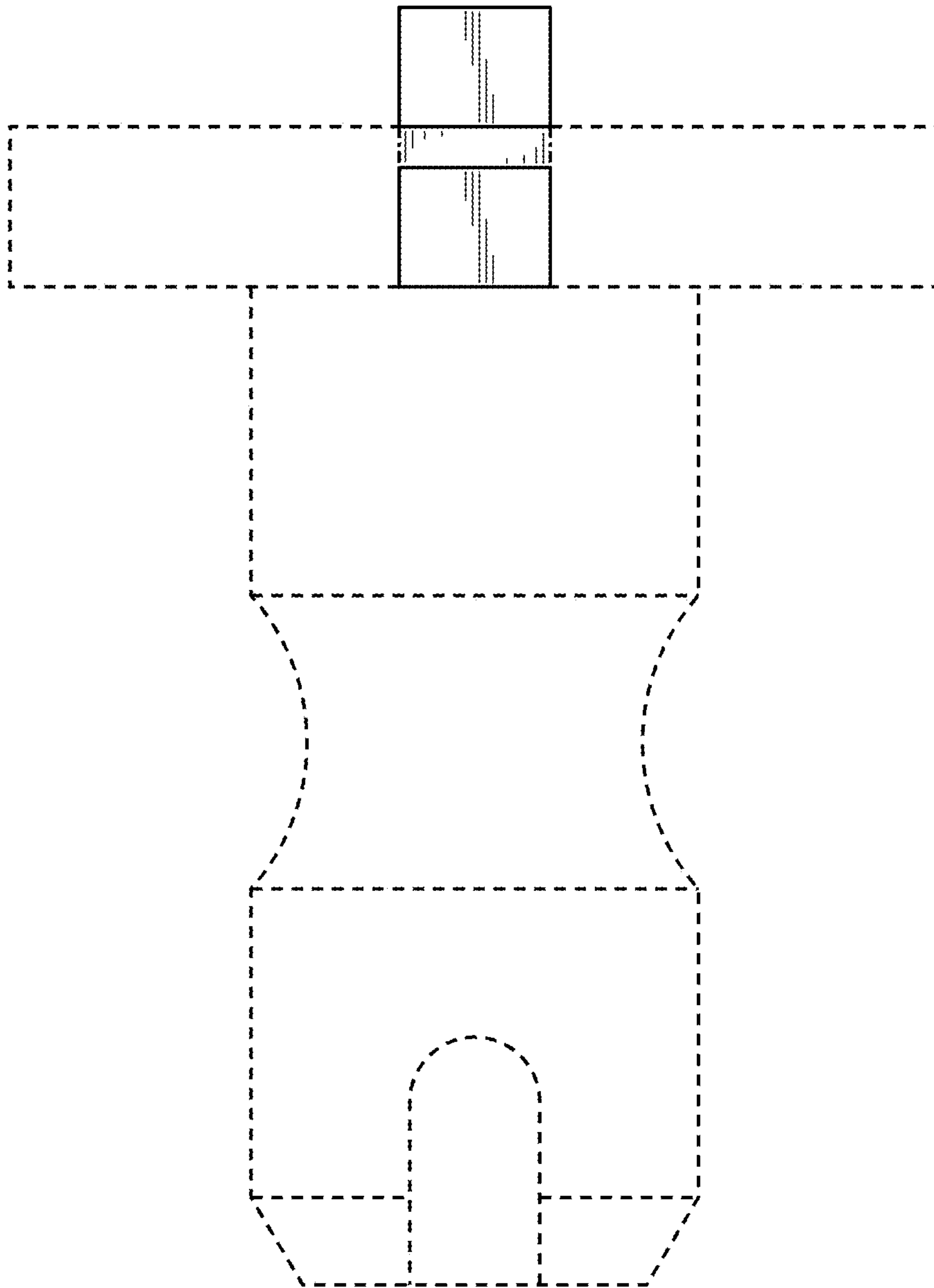


FIG. 12

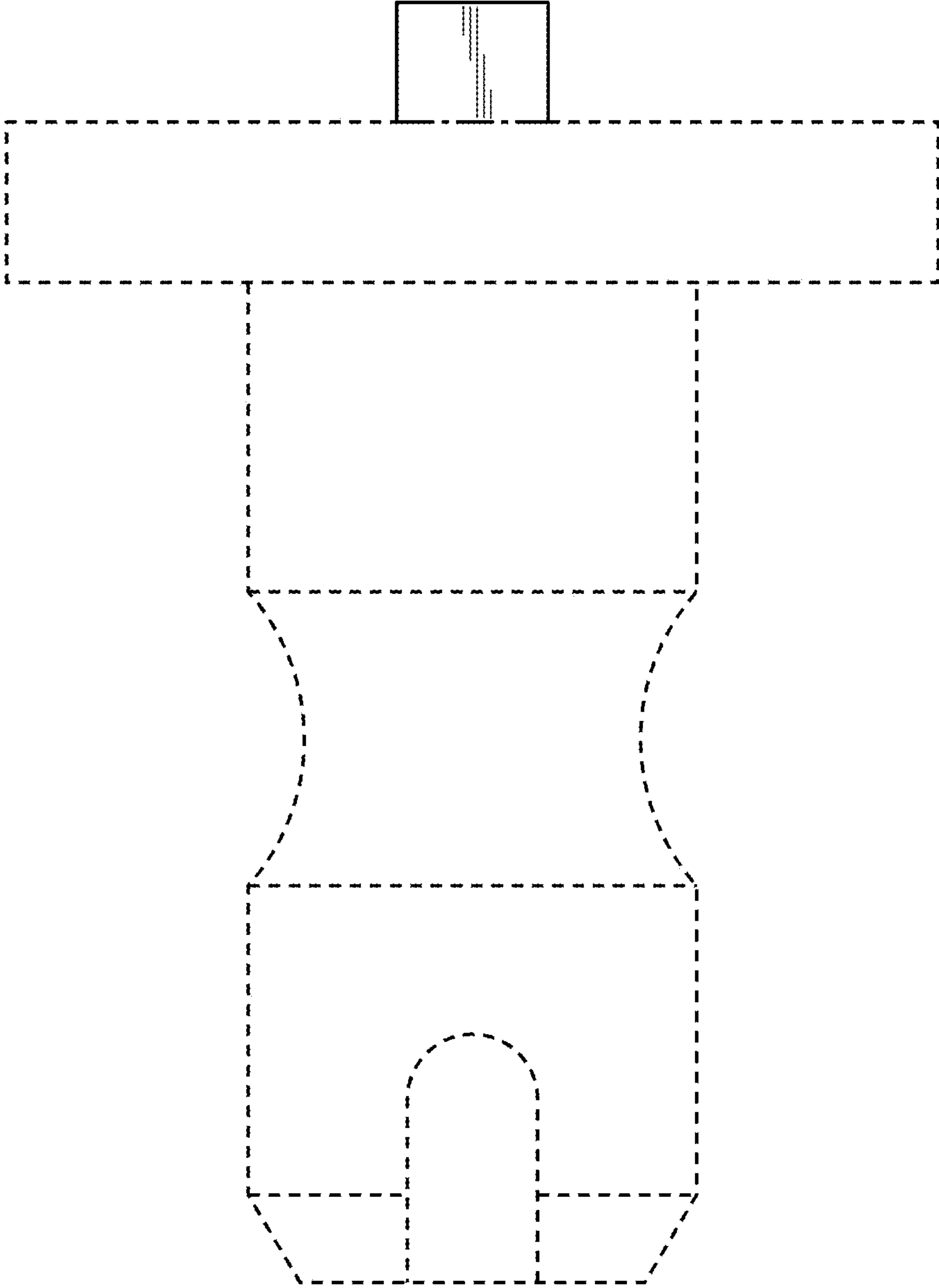


FIG. 13

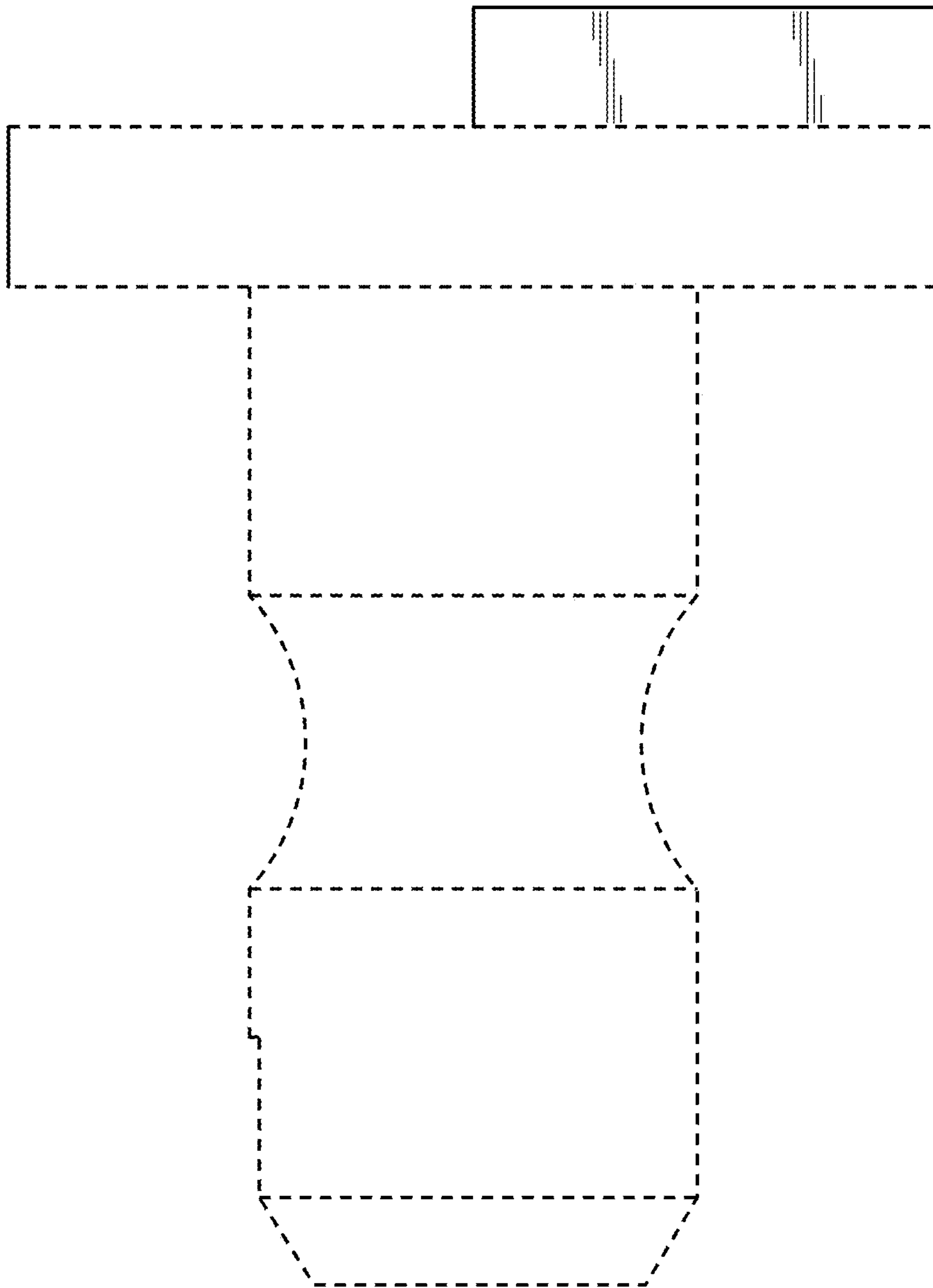


FIG. 14

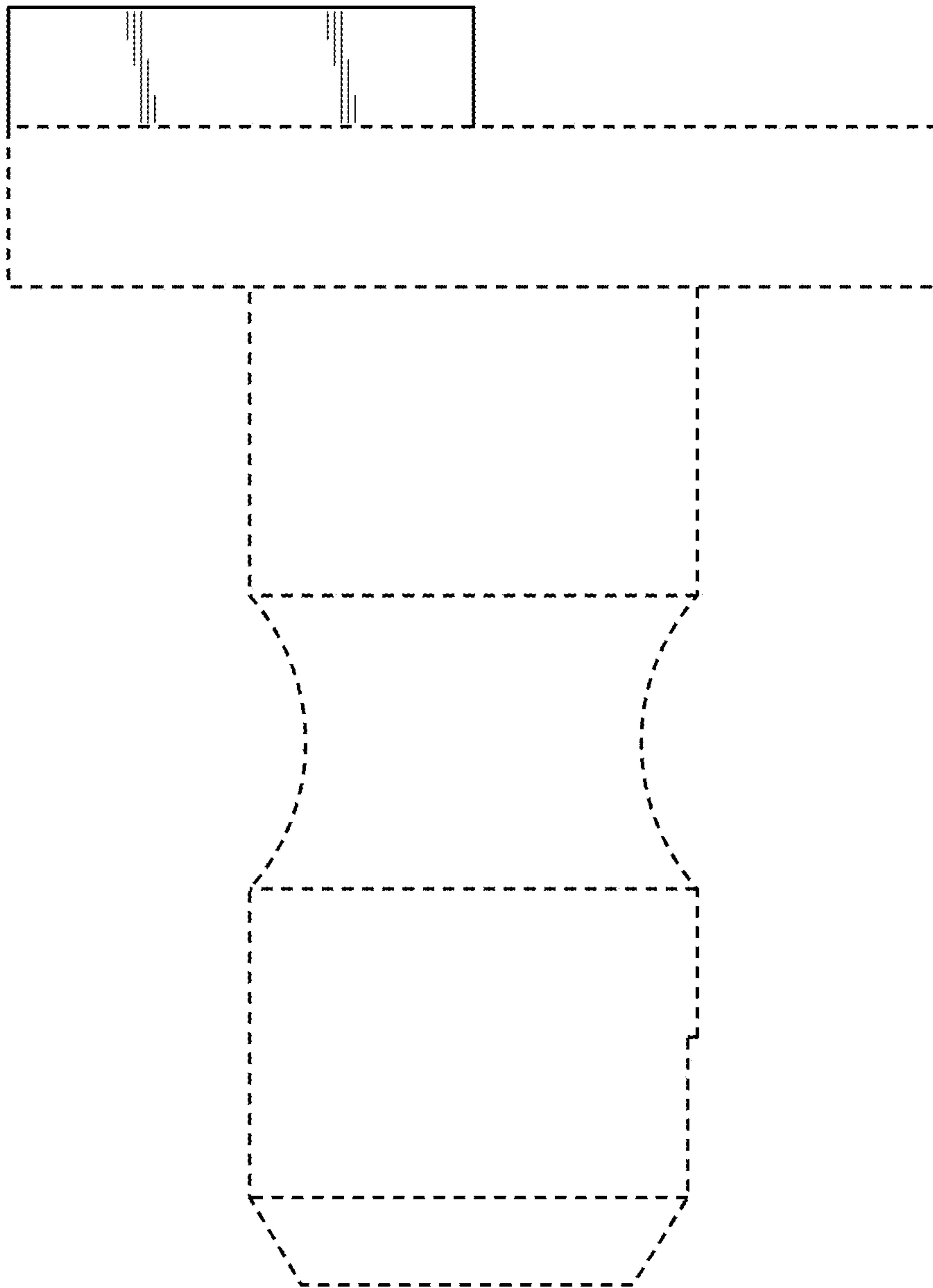


FIG. 15

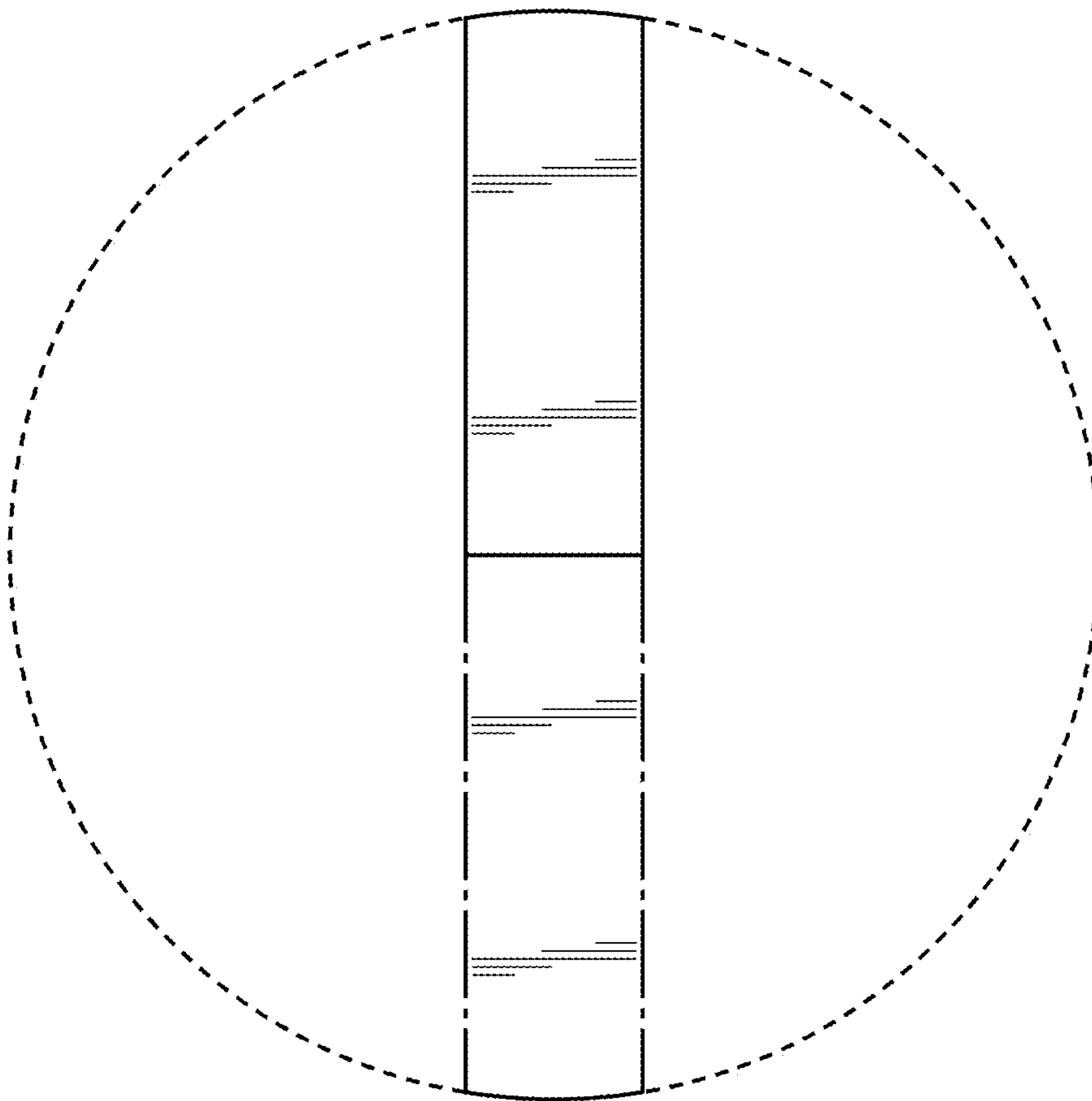


FIG. 16

